

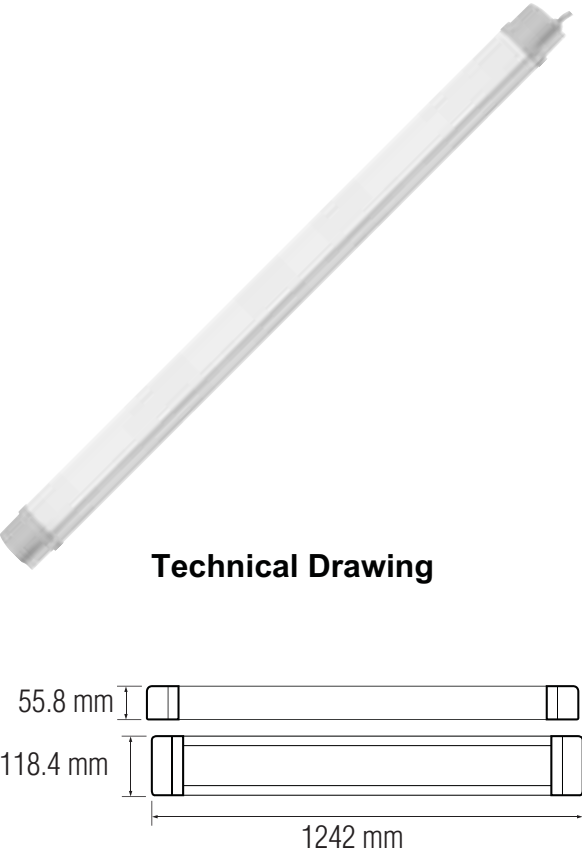
LED WATERPROOF LAMP

Product Code: 059 005 0072

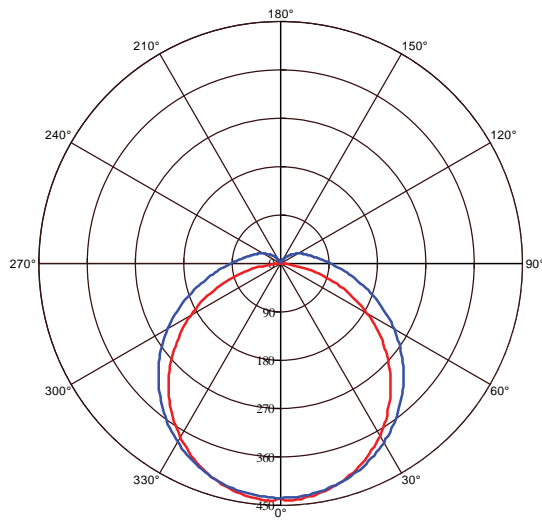
OKYANUS-72

Technical Data	
Voltage (V)	170-265V
Product Wattage (W)	72
Equivalence with incandescent lamp(W)	576
Colour Render Index (Ra)	>Ra70
Colour Temperature (K)	6400K
Materials	PC Cover
Protection Class	II
Dimmable	No
EEL	A to A++
Warm-up time up to 60 %of the full light output	Instant Full Light
Luminous Flux (lm)	5760
Luminous Efficacy (lm/W)	80
Rated Life (hrs) ⌚	30.000
IP Rating	65
Power Factor	>0.5
Beam Angle	120°
Starting Time	<0.2s
Number of ON-OFF cycling	x15.000

Technical Drawing



Photometric Diagram



↳ C0 Plane beam angle(50%):110.3(DEG) ↳ C90 Plane beam angle(50%):127.5(DEG)

Applications

- Under shop awnings, car parks, school perimeters, warehouse.



Features

- High Lumen and CRI, Good quality & Constant Current driver.
- High heat dissipation, low carbon and environmental protection.
- SMD LED Lamp Base.
- Very low energy consumption.

