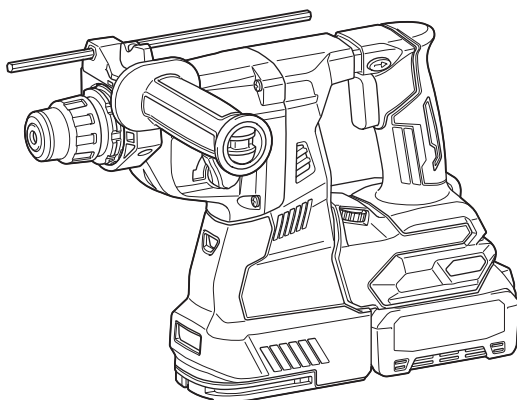




<b>EN</b>	<b>Cordless Combination Hammer</b>	<b>INSTRUCTION MANUAL</b>	<b>11</b>
<b>SV</b>	<b>Batteridreven kombinationshammare</b>	<b>BRUKSANVISNING</b>	<b>26</b>
<b>NO</b>	<b>Batteridrevet kombinasjonshammer</b>	<b>BRUKSANVISNING</b>	<b>40</b>
<b>FI</b>	<b>Akkukäyttöinen yhdistelmäpora</b>	<b>KÄYTTÖOHJE</b>	<b>54</b>
<b>DA</b>	<b>Akku-kombinationshammer</b>	<b>BRUGSANVISNING</b>	<b>68</b>
<b>LV</b>	<b>Bezvadu kombinētais veseris</b>	<b>LIETOŠANAS INSTRUKCIJA</b>	<b>83</b>
<b>LT</b>	<b>Belaidis kombinacinis gręžtuvas</b>	<b>NAUDOJIMO INSTRUKCIJA</b>	<b>98</b>
<b>ET</b>	<b>Juhtmeta kombinatsioonihaamer</b>	<b>KASUTUSJUHEND</b>	<b>113</b>
<b>RU</b>	<b>Аккумуляторный трехрежимный перфоратор</b>	<b>РУКОВОДСТВО ПО ЭКСПЛУАТАЦИИ</b>	<b>128</b>

**HR001G**  
**HR002G**  
**HR003G**  
**HR004G**



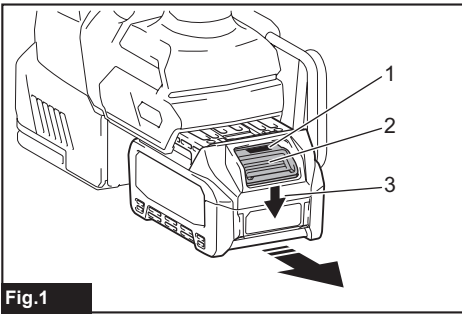


Fig.1

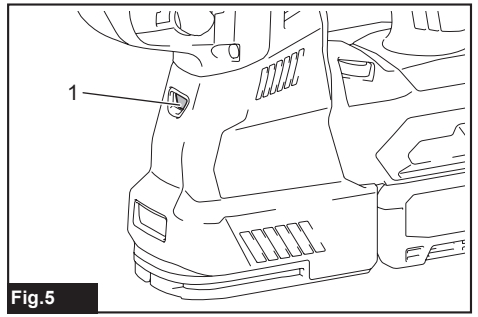


Fig.5

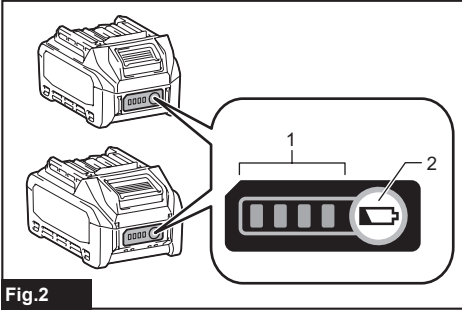


Fig.2

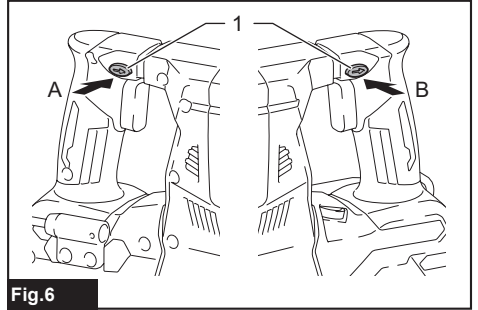


Fig.6

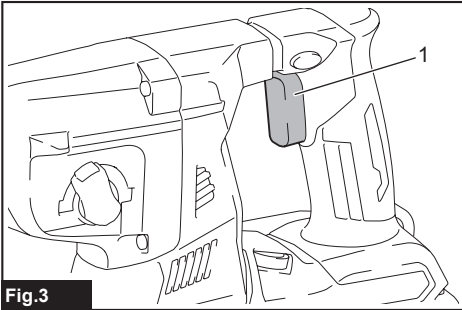


Fig.3

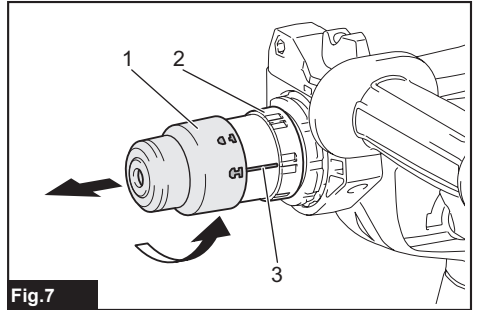


Fig.7

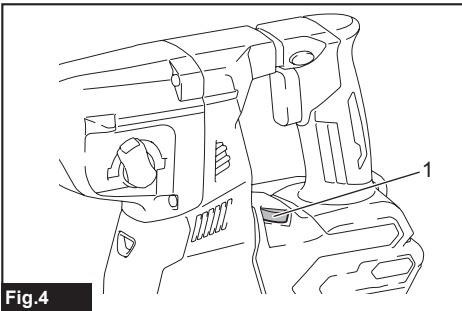


Fig.4

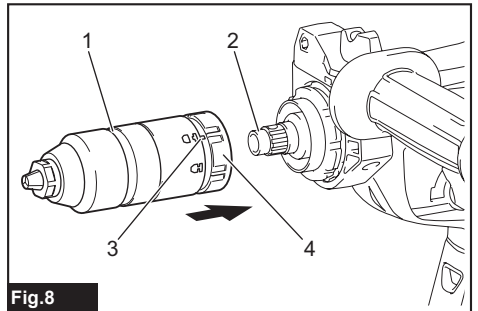


Fig.8

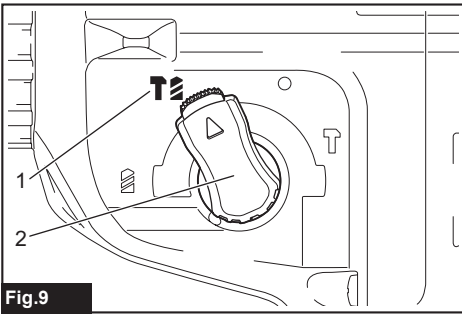


Fig.9

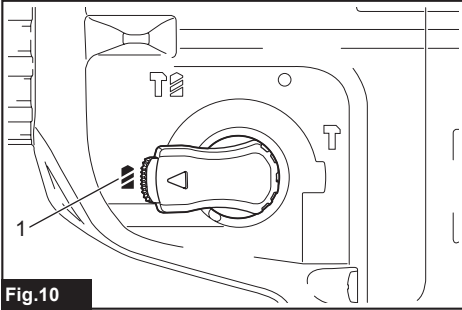


Fig.10

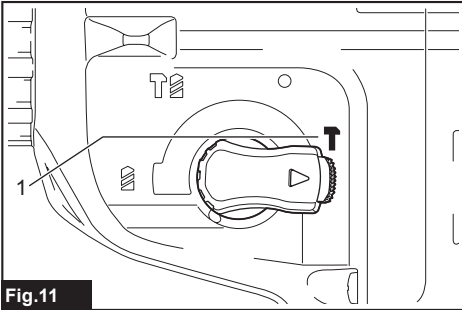


Fig.11

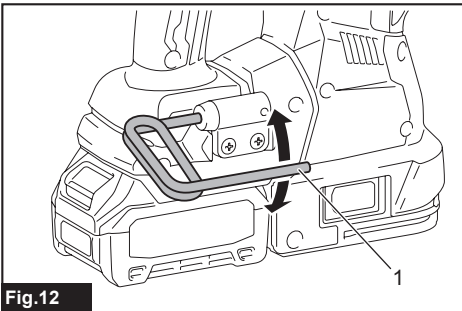


Fig.12

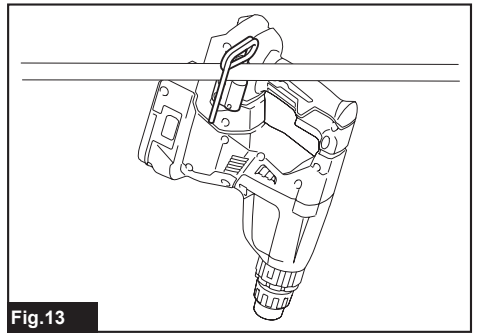


Fig.13

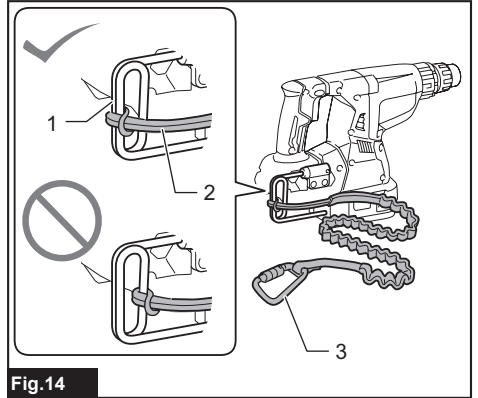


Fig.14

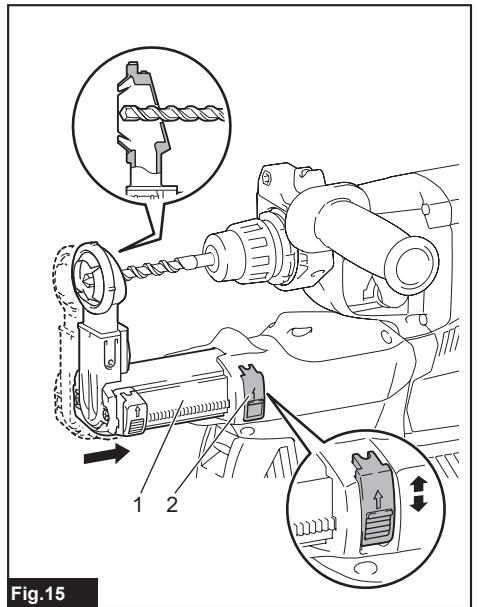


Fig.15

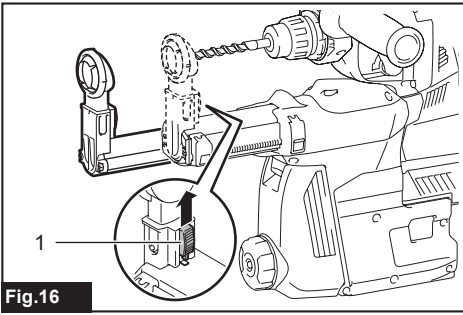


Fig.16

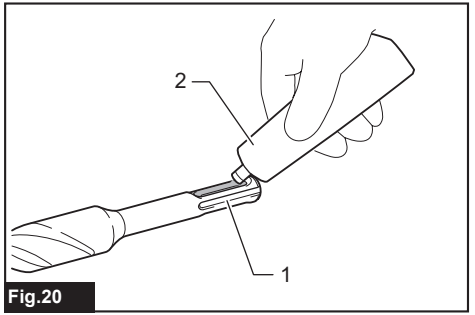


Fig.20

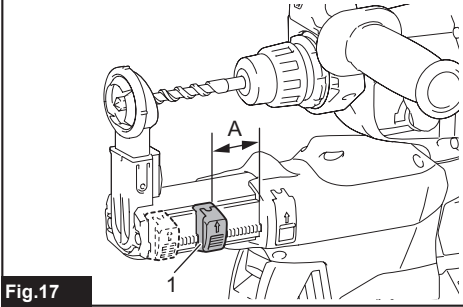


Fig.17

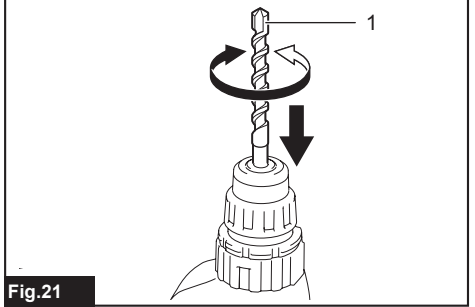


Fig.21

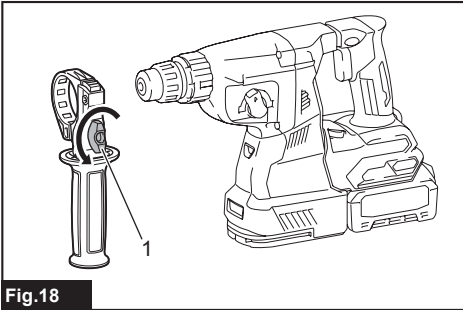


Fig.18

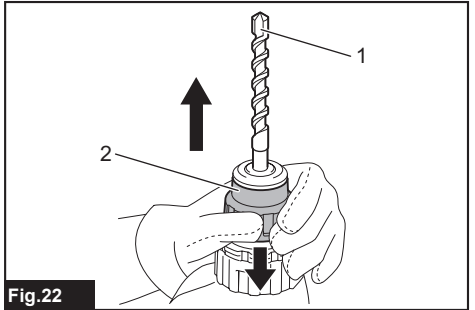


Fig.22

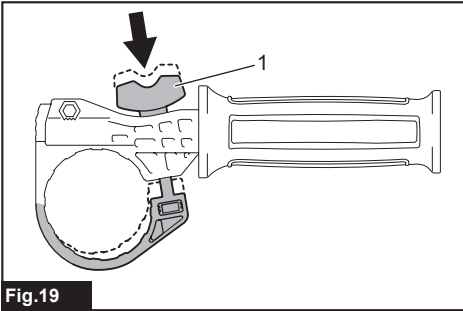


Fig.19

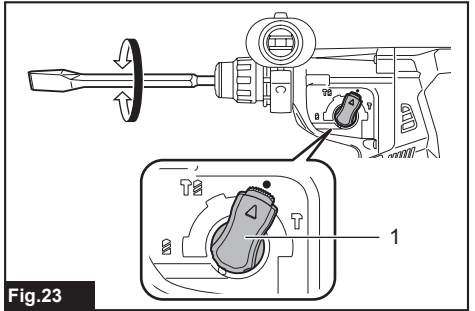
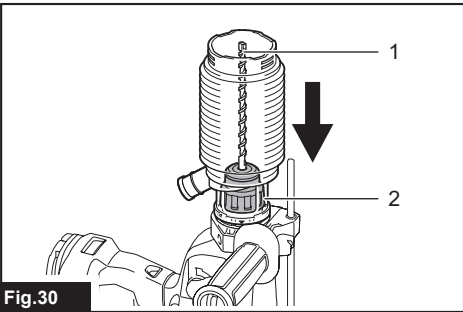
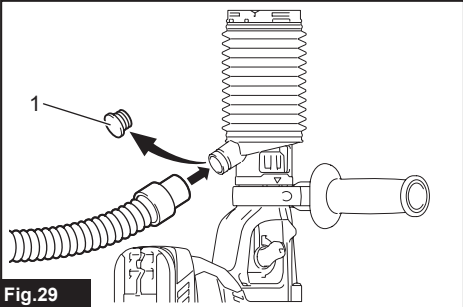
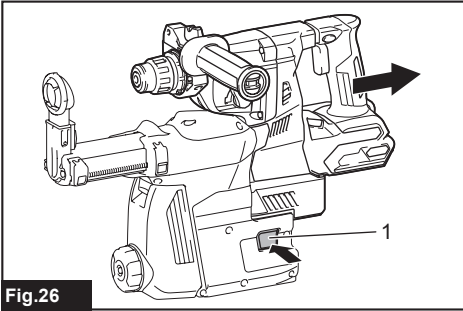
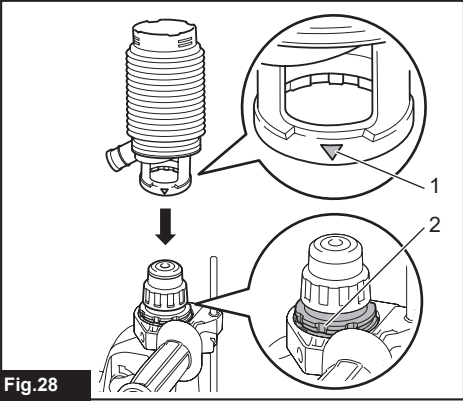
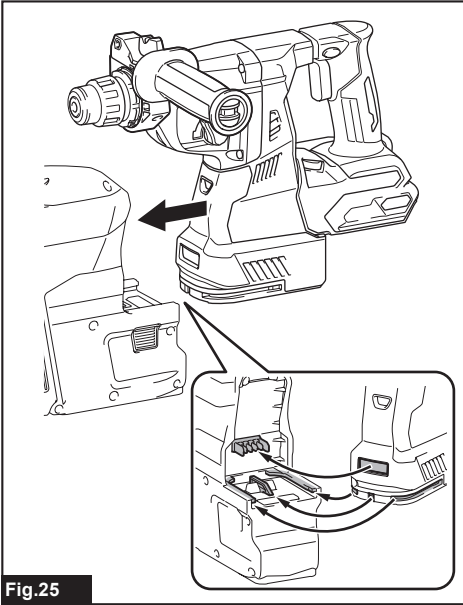
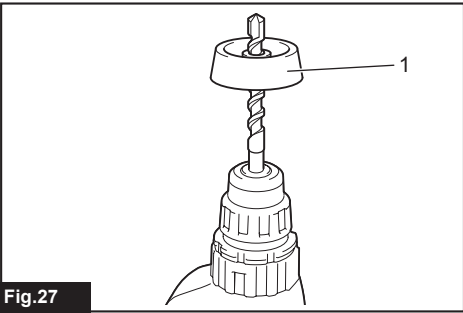
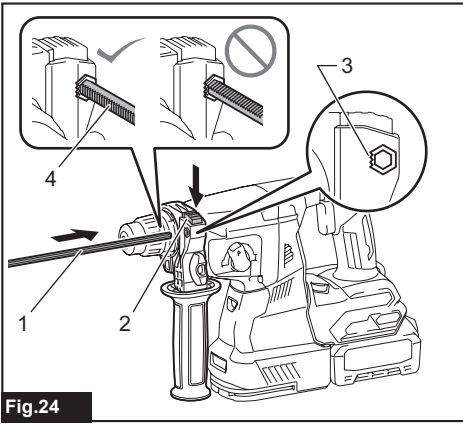


Fig.23



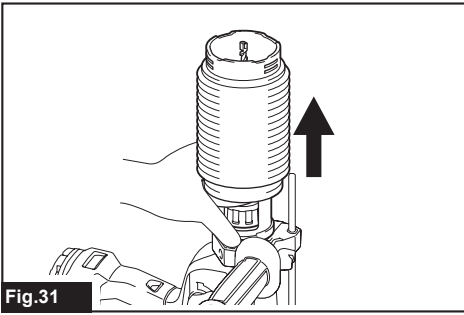


Fig.31

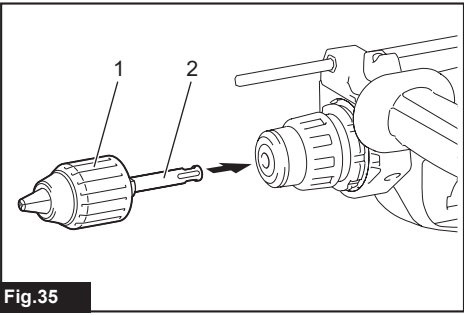


Fig.35

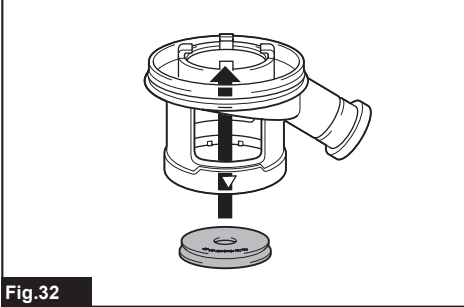


Fig.32

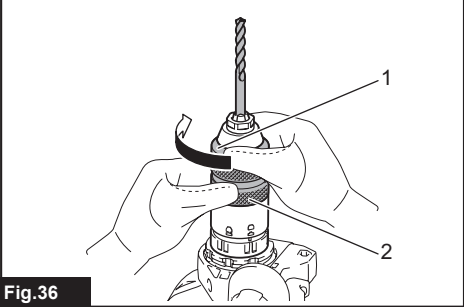


Fig.36

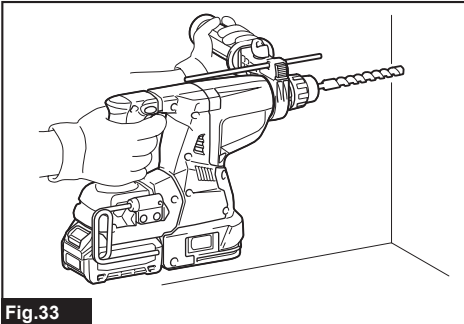


Fig.33

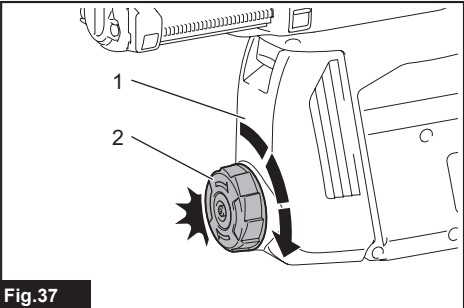


Fig.37

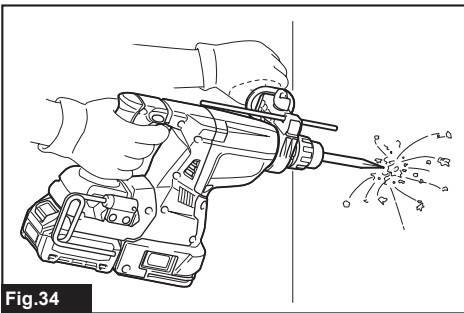


Fig.34

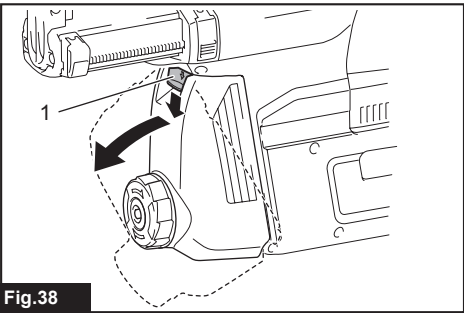


Fig.38

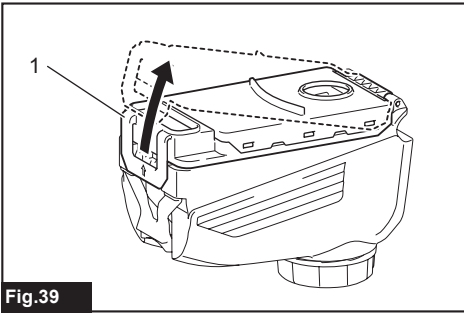


Fig.39

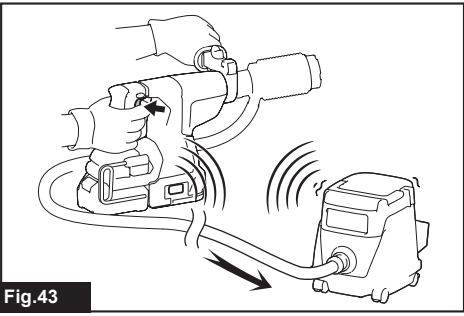


Fig.43

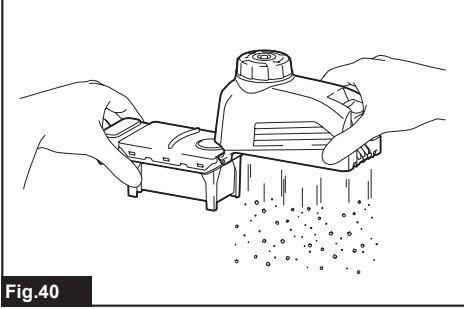


Fig.40

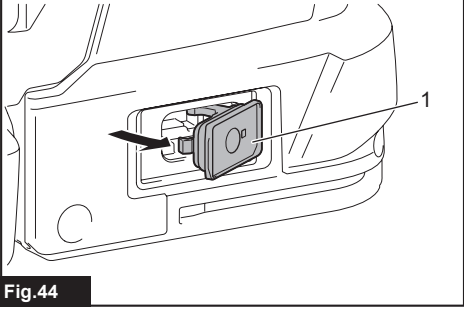


Fig.44

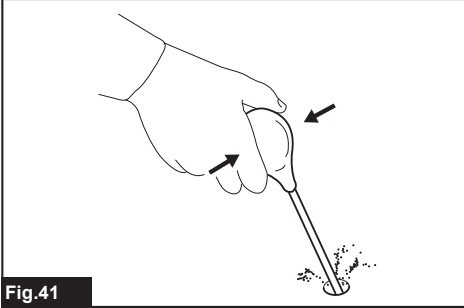


Fig.41

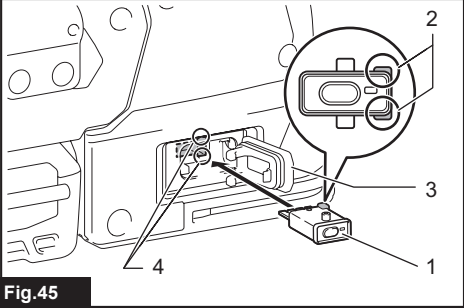


Fig.45

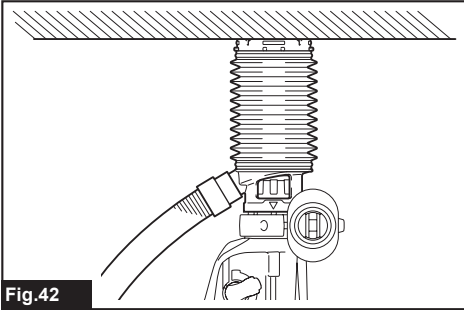


Fig.42

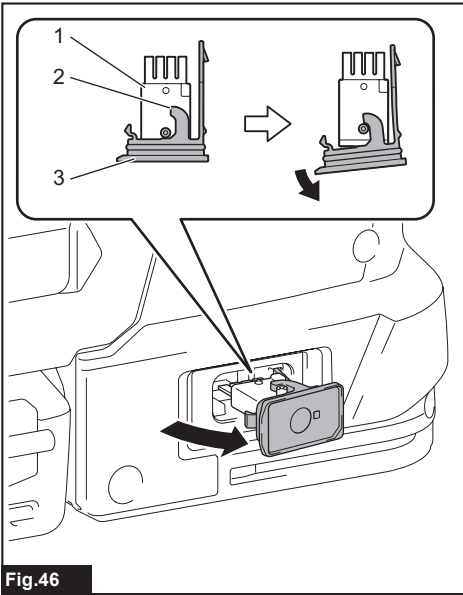


Fig.46

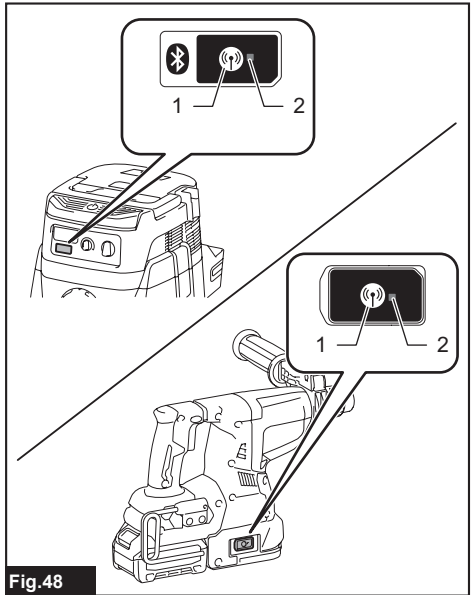


Fig.48

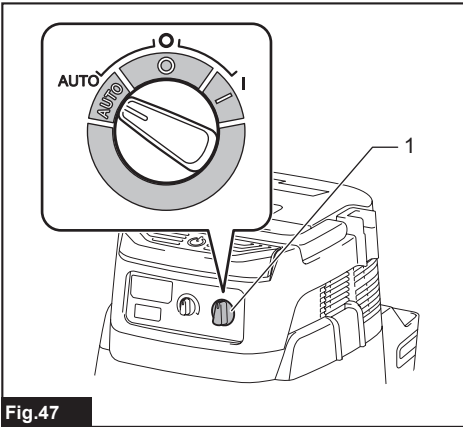


Fig.47

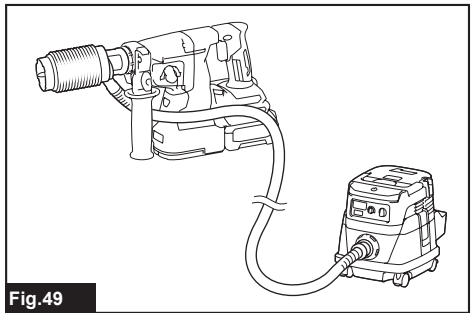


Fig.49

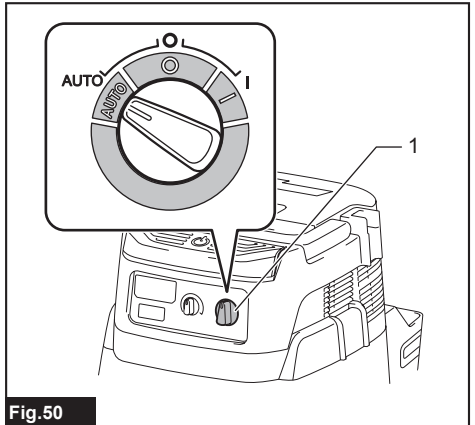


Fig.50



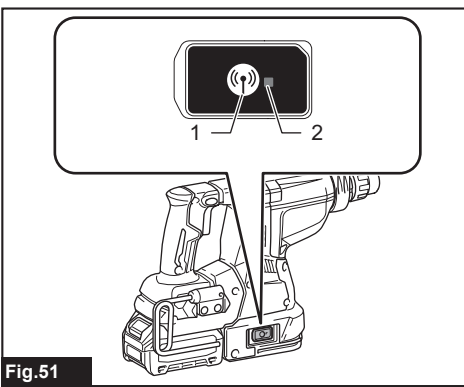


Fig.51

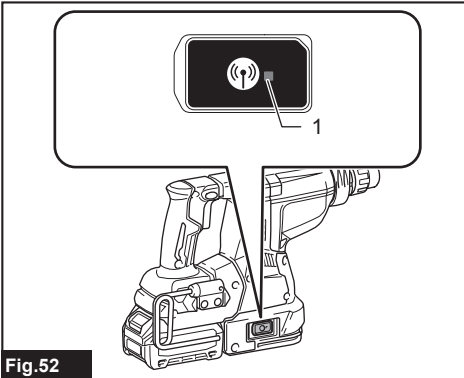


Fig.52

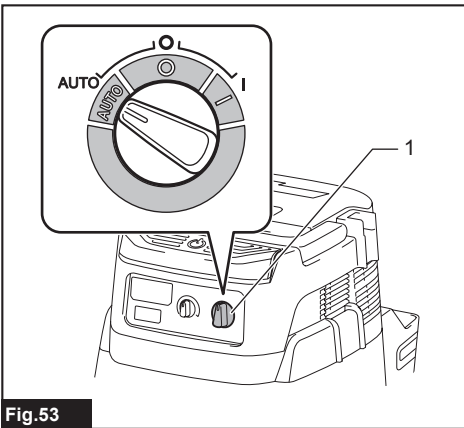


Fig.53

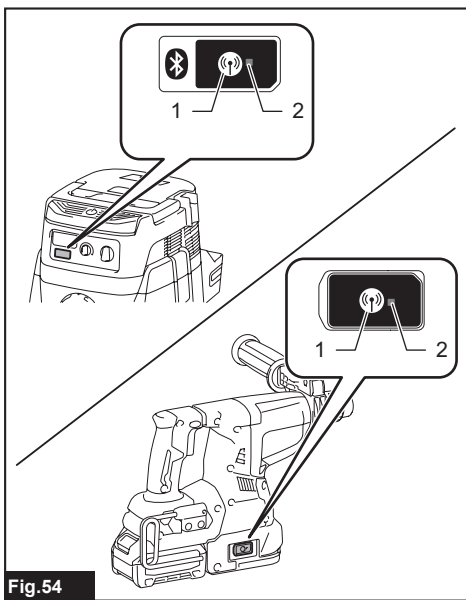


Fig.54

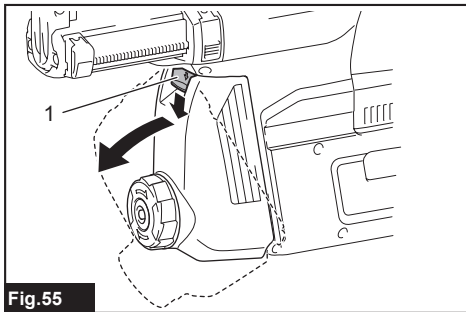


Fig.55

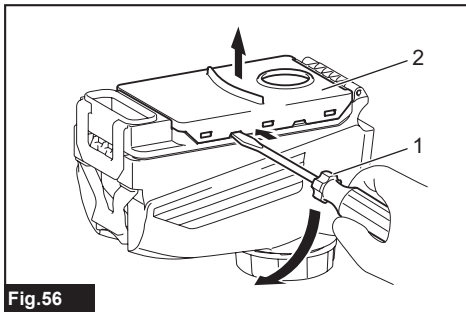
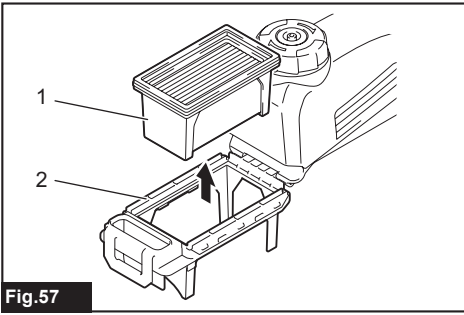
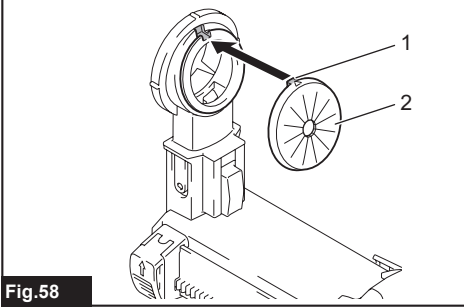


Fig.56



**Fig.57**



**Fig.58**

## SPECIFICATIONS

Model:		HR001G	HR002G	HR003G	HR004G
Capacities	Concrete	28 mm			
	Core bit	54 mm			
	Diamond core bit (dry type)	65 mm			
	Steel	13 mm			
	Wood	32 mm			
No load speed		0 - 980 min <sup>-1</sup>			
Blows per minute		0 - 5,000 min <sup>-1</sup>			
Rated voltage		D.C. 36 V - 40 V max			
Overall length	with BL4025	358 mm	389 mm	358 mm	389 mm
	with BL4040	373 mm	404 mm	373 mm	404 mm
Net weight		3.9 - 4.6 kg	4.1 - 4.6 kg	3.9 - 4.6 kg	4.0 - 4.5 kg

### Optional accessory

Model:		DX12 (For HR001G/HR003G)	DX14 (For HR002G/HR004G)
Suction performance		350 l/min	
Operating stroke		Up to 190 mm	
Suitable drill bit		Up to 260 mm	
Rated voltage		D.C. 36 V - 40 V max	
Net weight		1.6 kg	

- Due to our continuing program of research and development, the specifications herein are subject to change without notice.
- Specifications may differ from country to country.
- The weight may differ depending on the attachment(s), including the battery cartridge. The lightest and heaviest combination, according to EPTA-Procedure 01/2014, are shown in the table.

### Applicable battery cartridge and charger

Battery cartridge	BL4025 / BL4040
Charger	DC40RA

- Some of the battery cartridges and chargers listed above may not be available depending on your region of residence.

**⚠ WARNING: Only use the battery cartridges and chargers listed above.** Use of any other battery cartridges and chargers may cause injury and/or fire.

### Intended use

The tool is intended for hammer drilling and drilling in brick, concrete and stone as well as for chiselling work. It is also suitable for drilling without impact in wood, metal, ceramic and plastic.

### Noise

The typical A-weighted noise level determined according to EN60745-2-6:

#### Model HR001G

Sound pressure level ( $L_{pA}$ ) : 95 dB(A)  
 Sound power level ( $L_{WA}$ ) : 106 dB (A)  
 Uncertainty (K) : 3 dB(A)

#### Model HR002G

Sound pressure level ( $L_{pA}$ ) : 93 dB(A)  
 Sound power level ( $L_{WA}$ ) : 104 dB (A)  
 Uncertainty (K) : 3 dB(A)

#### Model HR003G

Sound pressure level ( $L_{pA}$ ) : 95 dB(A)  
 Sound power level ( $L_{WA}$ ) : 106 dB (A)  
 Uncertainty (K) : 3 dB(A)

#### Model HR004G

Sound pressure level ( $L_{pA}$ ) : 93 dB(A)  
 Sound power level ( $L_{WA}$ ) : 104 dB (A)  
 Uncertainty (K) : 3 dB(A)

#### Model HR001G with DX12

Sound pressure level ( $L_{pA}$ ) : 93 dB(A)  
 Sound power level ( $L_{WA}$ ) : 104 dB (A)  
 Uncertainty (K) : 3 dB(A)

#### Model HR002G with DX14

Sound pressure level ( $L_{pA}$ ) : 93 dB(A)  
 Sound power level ( $L_{WA}$ ) : 104 dB (A)  
 Uncertainty (K) : 3 dB(A)

### Model HR003G with DX12

Sound pressure level ( $L_{pA}$ ) : 93 dB(A)

Sound power level ( $L_{WA}$ ) : 104 dB (A)

Uncertainty (K) : 3 dB(A)

### Model HR004G with DX14

Sound pressure level ( $L_{pA}$ ) : 93 dB(A)

Sound power level ( $L_{WA}$ ) : 104 dB (A)

Uncertainty (K) : 3 dB(A)

**NOTE:** The declared noise emission value(s) has been measured in accordance with a standard test method and may be used for comparing one tool with another.

**NOTE:** The declared noise emission value(s) may also be used in a preliminary assessment of exposure.

**⚠WARNING:** Wear ear protection.

**⚠WARNING:** The noise emission during actual use of the power tool can differ from the declared value(s) depending on the ways in which the tool is used especially what kind of workpiece is processed.

**⚠WARNING:** Be sure to identify safety measures to protect the operator that are based on an estimation of exposure in the actual conditions of use (taking account of all parts of the operating cycle such as the times when the tool is switched off and when it is running idle in addition to the trigger time).

## Vibration

The following table shows the vibration total value (tri-axial vector sum) determined according to applicable standard.

### Model HR001G

Work mode	Vibration emission	Uncertainty (K)	Applicable standard
Hammer drilling into concrete ( $a_{h, HD}$ )	7.0 m/s <sup>2</sup>	1.5 m/s <sup>2</sup>	EN60745-2-6
Hammer drilling into concrete with DX12 ( $a_{h, HD}$ )	7.0 m/s <sup>2</sup>	1.5 m/s <sup>2</sup>	EN60745-2-6
Chiselling function with side grip ( $a_{h, Chex}$ )	6.5 m/s <sup>2</sup>	1.5 m/s <sup>2</sup>	EN60745-2-6
Drilling into metal ( $a_{h, D}$ )	2.5 m/s <sup>2</sup> or less	1.5 m/s <sup>2</sup>	EN60745-2-1

### Model HR002G

Work mode	Vibration emission	Uncertainty (K)	Applicable standard
Hammer drilling into concrete ( $a_{h, HD}$ )	6.5 m/s <sup>2</sup>	1.5 m/s <sup>2</sup>	EN60745-2-6
Hammer drilling into concrete with DX14 ( $a_{h, HD}$ )	6.0 m/s <sup>2</sup>	1.5 m/s <sup>2</sup>	EN60745-2-6
Chiselling function with side grip ( $a_{h, Chex}$ )	7.5 m/s <sup>2</sup>	1.5 m/s <sup>2</sup>	EN60745-2-6
Drilling into metal ( $a_{h, D}$ )	2.5 m/s <sup>2</sup>	1.5 m/s <sup>2</sup>	EN60745-2-1

### Model HR003G

Work mode	Vibration emission	Uncertainty (K)	Applicable standard
Hammer drilling into concrete ( $a_{h, HD}$ )	7.0 m/s <sup>2</sup>	1.5 m/s <sup>2</sup>	EN60745-2-6
Hammer drilling into concrete with DX12 ( $a_{h, HD}$ )	7.0 m/s <sup>2</sup>	1.5 m/s <sup>2</sup>	EN60745-2-6
Chiselling function with side grip ( $a_{h, Chex}$ )	7.0 m/s <sup>2</sup>	1.5 m/s <sup>2</sup>	EN60745-2-6
Drilling into metal ( $a_{h, D}$ )	2.5 m/s <sup>2</sup> or less	1.5 m/s <sup>2</sup>	EN60745-2-1

### Model HR004G

Work mode	Vibration emission	Uncertainty (K)	Applicable standard
Hammer drilling into concrete ( $a_{h, HD}$ )	6.5 m/s <sup>2</sup>	1.5 m/s <sup>2</sup>	EN60745-2-6
Hammer drilling into concrete with DX14 ( $a_{h, HD}$ )	6.0 m/s <sup>2</sup>	1.5 m/s <sup>2</sup>	EN60745-2-6
Chiselling function with side grip ( $a_{h, Chex}$ )	7.5 m/s <sup>2</sup>	1.5 m/s <sup>2</sup>	EN60745-2-6
Drilling into metal ( $a_{h, D}$ )	2.5 m/s <sup>2</sup>	1.5 m/s <sup>2</sup>	EN60745-2-1

**NOTE:** The declared vibration total value(s) has been measured in accordance with a standard test method and may be used for comparing one tool with another.

**NOTE:** The declared vibration total value(s) may also be used in a preliminary assessment of exposure.

**⚠WARNING:** The vibration emission during actual use of the power tool can differ from the declared value(s) depending on the ways in which the tool is used especially what kind of workpiece is processed.

**⚠WARNING:** Be sure to identify safety measures to protect the operator that are based on an estimation of exposure in the actual conditions of use (taking account of all parts of the operating cycle such as the times when the tool is switched off and when it is running idle in addition to the trigger time).

## EC Declaration of Conformity

### For European countries only

The EC declaration of conformity is included as Annex A to this instruction manual.

# SAFETY WARNINGS

## General power tool safety warnings

**⚠️WARNING:** Read all safety warnings, instructions, illustrations and specifications provided with this power tool. Failure to follow all instructions listed below may result in electric shock, fire and/or serious injury.

## Save all warnings and instructions for future reference.

The term "power tool" in the warnings refers to your mains-operated (corded) power tool or battery-operated (cordless) power tool.

## CORDLESS ROTARY HAMMER SAFETY WARNINGS

1. **Wear ear protectors.** Exposure to noise can cause hearing loss.
2. **Use auxiliary handle(s), if supplied with the tool.** Loss of control can cause personal injury.
3. **Hold power tool by insulated gripping surfaces, when performing an operation where the cutting accessory may contact hidden wiring.** Cutting accessory contacting a "live" wire may make exposed metal parts of the power tool "live" and could give the operator an electric shock.
4. **Wear a hard hat (safety helmet), safety glasses and/or face shield.** Ordinary eye or sun glasses are NOT safety glasses. It is also highly recommended that you wear a dust mask and thickly padded gloves.
5. **Be sure the bit is secured in place before operation.**
6. **Under normal operation, the tool is designed to produce vibration.** The screws can come loose easily, causing a breakdown or accident. Check tightness of screws carefully before operation.
7. **In cold weather or when the tool has not been used for a long time, let the tool warm up for a while by operating it under no load.** This will loosen up the lubrication. Without proper warm-up, hammering operation is difficult.
8. **Always be sure you have a firm footing.** Be sure no one is below when using the tool in high locations.
9. **Hold the tool firmly with both hands.**
10. **Keep hands away from moving parts.**
11. **Do not leave the tool running.** Operate the tool only when hand-held.
12. **Do not point the tool at any one in the area when operating.** The bit could fly out and injure someone seriously.
13. **Do not touch the bit, parts close to the bit, or workpiece immediately after operation;** they may be extremely hot and could burn your skin.
14. **Some material contains chemicals which may be toxic.** Take caution to prevent dust inhalation and skin contact. Follow material supplier safety data.

15. **Always be sure that the tool is switched off and the battery cartridge and the bit are removed before handing the tool to other person.**
16. **Before operation, make sure that there is no buried object such as electric pipe, water pipe or gas pipe in the working area.** Otherwise, the drill bit/chisel may touch them, resulting an electric shock, electrical leakage or gas leak.

## SAVE THESE INSTRUCTIONS.

**⚠️WARNING:** DO NOT let comfort or familiarity with product (gained from repeated use) replace strict adherence to safety rules for the subject product. MISUSE or failure to follow the safety rules stated in this instruction manual may cause serious personal injury.

## Important safety instructions for battery cartridge

1. **Before using battery cartridge, read all instructions and cautionary markings on (1) battery charger, (2) battery, and (3) product using battery.**
2. **Do not disassemble or tamper the battery cartridge.** It may result in a fire, excessive heat, or explosion.
3. **If operating time has become excessively shorter, stop operating immediately.** It may result in a risk of overheating, possible burns and even an explosion.
4. **If electrolyte gets into your eyes, rinse them out with clear water and seek medical attention right away.** It may result in loss of your eyesight.
5. **Do not short the battery cartridge:**
  - (1) **Do not touch the terminals with any conductive material.**
  - (2) **Avoid storing battery cartridge in a container with other metal objects such as nails, coins, etc.**
  - (3) **Do not expose battery cartridge to water or rain.**

A battery short can cause a large current flow, overheating, possible burns and even a breakdown.
6. **Do not store the tool and battery cartridge in locations where the temperature may reach or exceed 50 °C (122 °F).**
7. **Do not incinerate the battery cartridge even if it is severely damaged or is completely worn out.** The battery cartridge can explode in a fire.
8. **Do not nail, cut, crush, throw, drop the battery cartridge, or hit against a hard object to the battery cartridge.** Such conduct may result in a fire, excessive heat, or explosion.
9. **Do not use a damaged battery.**
10. **The contained lithium-ion batteries are subject to the Dangerous Goods Legislation requirements.**

For commercial transports e.g. by third parties, forwarding agents, special requirement on packaging and labeling must be observed.

For preparation of the item being shipped, consulting an expert for hazardous material is required. Please also observe possibly more detailed national regulations.

Tape or mask off open contacts and pack up the battery in such a manner that it cannot move around in the packaging.

11. **When disposing the battery cartridge, remove it from the tool and dispose of it in a safe place. Follow your local regulations relating to disposal of battery.**
12. **Use the batteries only with the products specified by Makita.** Installing the batteries to non-compliant products may result in a fire, excessive heat, explosion, or leak of electrolyte.
13. **If the tool is not used for a long period of time, the battery must be removed from the tool.**
14. **During and after use, the battery cartridge may take on heat which can cause burns or low temperature burns. Pay attention to the handling of hot battery cartridges.**
15. **Do not touch the terminal of the tool immediately after use as it may get hot enough to cause burns.**
16. **Do not allow chips, dust, or soil stuck into the terminals, holes, and grooves of the battery cartridge.** It may result in poor performance or breakdown of the tool or battery cartridge.
17. **Unless the tool supports the use near a high-voltage electrical power lines, do not use the battery cartridge near a high-voltage electrical power lines.** It may result in a malfunction or breakdown of the tool or battery cartridge.

## SAVE THESE INSTRUCTIONS.

**⚠CAUTION:** Only use genuine Makita batteries. Use of non-genuine Makita batteries, or batteries that have been altered, may result in the battery bursting causing fires, personal injury and damage. It will also void the Makita warranty for the Makita tool and charger.

## Tips for maintaining maximum battery life

1. **Charge the battery cartridge before completely discharged. Always stop tool operation and charge the battery cartridge when you notice less tool power.**
2. **Never recharge a fully charged battery cartridge. Overcharging shortens the battery service life.**
3. **Charge the battery cartridge with room temperature at 10 °C - 40 °C (50 °F - 104 °F). Let a hot battery cartridge cool down before charging it.**
4. **When not using the battery cartridge, remove it from the tool or the charger.**
5. **Charge the battery cartridge if you do not use it for a long period (more than six months).**

## Important safety instructions for wireless unit

1. **Do not disassemble or tamper with the wireless unit.**
2. **Keep the wireless unit away from young children. If accidentally swallowed, seek medical attention immediately.**
3. **Use the wireless unit only with Makita tools.**
4. **Do not expose the wireless unit to rain or wet conditions.**
5. **Do not use the wireless unit in places where the temperature exceeds 50°C (122°F).**
6. **Do not operate the wireless unit in places where medical instruments, such as heart pace makers are nearby.**
7. **Do not operate the wireless unit in places where automated devices are nearby.** If operated, automated devices may develop malfunction or error.
8. **Do not operate the wireless unit in places under high temperature or places where static electricity or electrical noise could be generated.**
9. **The wireless unit can produce electromagnetic fields (EMF) but they are not harmful to the user.**
10. **The wireless unit is an accurate instrument. Be careful not to drop or strike the wireless unit.**
11. **Avoid touching the terminal of the wireless unit with bare hands or metallic materials.**
12. **Always remove the battery on the product when installing the wireless unit into it.**
13. **When opening the lid of the slot, avoid the place where dust and water may come into the slot. Always keep the inlet of the slot clean.**
14. **Always insert the wireless unit in the correct direction.**
15. **Do not press the wireless activation button on the wireless unit too hard and/or press the button with an object with a sharp edge.**
16. **Always close the lid of the slot when operating.**
17. **Do not remove the wireless unit from the slot while the power is being supplied to the tool.** Doing so may cause a malfunction of the wireless unit.
18. **Do not remove the sticker on the wireless unit.**
19. **Do not put any sticker on the wireless unit.**
20. **Do not leave the wireless unit in a place where static electricity or electrical noise could be generated.**
21. **Do not leave the wireless unit in a place subject to high heat, such as a car sitting in the sun.**
22. **Do not leave the wireless unit in a dusty or powdery place or in a place corrosive gas could be generated.**
23. **Sudden change of the temperature may bedew the wireless unit. Do not use the wireless unit until the dew is completely dried.**

24. When cleaning the wireless unit, gently wipe with a dry soft cloth. Do not use benzine, thinner, conductive grease or the like.
25. When storing the wireless unit, keep it in the supplied case or a static-free container.
26. Do not insert any devices other than Makita wireless unit into the slot on the tool.
27. Do not use the tool with the lid of the slot damaged. Water, dust, and dirt come into the slot may cause malfunction.
28. Do not pull and/or twist the lid of the slot more than necessary. Restore the lid if it comes off from the tool.
29. Replace the lid of the slot if it is lost or damaged.

## SAVE THESE INSTRUCTIONS.

## FUNCTIONAL DESCRIPTION

**CAUTION:** Always be sure that the tool is switched off and the battery cartridge is removed before adjusting or checking function on the tool.

### Installing or removing battery cartridge

**CAUTION:** Always switch off the tool before installing or removing of the battery cartridge.

**CAUTION:** Hold the tool and the battery cartridge firmly when installing or removing battery cartridge. Failure to hold the tool and the battery cartridge firmly may cause them to slip off your hands and result in damage to the tool and battery cartridge and a personal injury.

► Fig.1: 1. Red indicator 2. Button 3. Battery cartridge

To remove the battery cartridge, slide it from the tool while sliding the button on the front of the cartridge.

To install the battery cartridge, align the tongue on the battery cartridge with the groove in the housing and slip it into place. Insert it all the way until it locks in place with a little click. If you can see the red indicator on the upper side of the button, it is not locked completely.

**CAUTION:** Always install the battery cartridge fully until the red indicator cannot be seen. If not, it may accidentally fall out of the tool, causing injury to you or someone around you.

**CAUTION:** Do not install the battery cartridge forcibly. If the cartridge does not slide in easily, it is not being inserted correctly.

## Indicating the remaining battery capacity

Press the check button on the battery cartridge to indicate the remaining battery capacity. The indicator lamps light up for a few seconds.

► Fig.2: 1. Indicator lamps 2. Check button

Indicator lamps			Remaining capacity
Lighted	Off	Blinking	
■ ■ ■ ■			75% to 100%
■ ■ ■ □			50% to 75%
■ ■ □ □			25% to 50%
■ □ □ □			0% to 25%
▣ □ □ □			Charge the battery.
■ ■ □ □			The battery may have malfunctioned.
□ □ ■ ■			

**NOTE:** Depending on the conditions of use and the ambient temperature, the indication may differ slightly from the actual capacity.

## Tool / battery protection system

The tool is equipped with a tool/battery protection system. This system automatically cuts off power to the motor to extend tool and battery life. The tool will automatically stop during operation if the tool or battery is placed under one of the following conditions:

### Overload protection

When the battery is operated in a manner that causes it to draw an abnormally high current, the tool automatically stops without any indication. In this situation, turn the tool off and stop the application that caused the tool to become overloaded. Then turn the tool on to restart.

### Overheat protection

When the tool or battery is overheated, the tool stops automatically. In this case, let the tool and battery cool before turning the tool on again.

**NOTE:** When the tool is overheated, the lamp blinks.

### Overdischarge protection

When the battery capacity is not enough, the tool stops automatically. In this case, remove the battery from the tool and charge the battery.

## Switch action

**⚠ WARNING:** Before installing the battery cartridge into the tool, always check to see that the switch trigger actuates properly and returns to the "OFF" position when released.

► Fig.3: 1. Switch trigger

To start the tool, simply pull the switch trigger. Tool speed is increased by increasing pressure on the switch trigger. Release the switch trigger to stop.

## Speed change

The revolutions and blows per minute can be adjusted by turning the adjusting dial. The dial is marked 1 (low-speed) to 5 (full speed).

► Fig.4: 1. Adjusting dial

Refer to the table below for the relationship between the number on the adjusting dial and the revolutions and blows per minute.

Number	Revolutions per minute	Blows per minute
5	980	5,000
4	870	4,440
3	630	3,210
2	380	1,940
1	300	1,530

**⚠ CAUTION:** Do not turn the adjusting dial when the tool is running. Failure to do so may result in the loss of control of the tool and cause an injury.

**NOTICE:** If the tool is operated continuously at low speed for a long time, the motor will get overloaded, resulting in tool malfunction.

**NOTICE:** The speed adjusting dial can be turned only as far as 5 and back to 1. Do not force it past 5 or 1, or the speed adjusting function may no longer work.

**NOTE:** Soft no-load rotation function (For HR001G/HR002G)

When the speed adjusting dial is set to "4" or higher, the tool automatically reduces the speed at no-load to reduce the vibration under no-load. Once operation starts with a bit against concrete, blows per minute increase and reach the numbers as shown in the table. When temperature is low and there is less fluidity in grease, the tool may not have this function even with the motor rotating.

## Lighting up the front lamp

► Fig.5: 1. Lamp

**⚠ CAUTION:** Do not look in the light or see the source of light directly.

Pull the switch trigger to light up the lamp. The lamp keeps on lighting while the switch trigger is being pulled. The lamp goes out approximately 10 seconds after releasing the switch trigger.

**⚠ CAUTION:** For HR001G/HR002G

If the lamp goes off after blinking for a few seconds, the active feedback sensing technology is not working properly. Ask your local Makita Service Center for repair.

**NOTE:** Use a dry cloth to wipe the dirt off the lens of the lamp. Be careful not to scratch the lens of lamp, or it may lower the illumination.

**NOTE:** If the dust collection system is installed on the tool, the lamp of the dust collection system lights up instead of the lamp of the tool.

## Reversing switch action

► Fig.6: 1. Reversing switch lever

**⚠ CAUTION:** Always check the direction of rotation before operation.

**⚠ CAUTION:** Use the reversing switch only after the tool comes to a complete stop. Changing the direction of rotation before the tool stops may damage the tool.

**⚠ CAUTION:** When not operating the tool, always set the reversing switch lever to the neutral position.

This tool has a reversing switch to change the direction of rotation. Depress the reversing switch lever from the A side for clockwise rotation or from the B side for counterclockwise rotation.

When the reversing switch lever is in the neutral position, the switch trigger cannot be pulled.



## Changing the quick change chuck for SDS-plus

### For HR002G/HR004G

The quick change chuck for SDS-plus can be easily exchanged for the quick change drill chuck.

### Removing the quick change chuck for SDS-plus




**⚠ CAUTION:** Before removing the quick change chuck for SDS-plus, be sure to remove the bit.

Grasp the change cover of the quick change chuck for SDS-plus and turn in the direction of the arrow until the change cover line moves from the  symbol to the  symbol. Pull forcefully in the direction of the arrow.

► Fig.7: 1. Quick change chuck for SDS-plus  
2. Change cover 3. Change cover line



## Installing the quick change drill chuck

Check the line of the quick change drill chuck shows the  symbol. Grasp the change cover of the quick change drill chuck and set the line to the  symbol. Place the quick change drill chuck on the spindle of the tool. Grasp the change cover of the quick change drill chuck and turn the change cover line to the  symbol until a click can clearly be heard.


- **Fig.8:** 1. Quick change drill chuck 2. Spindle  
3. Change cover line 4. Change cover

## Selecting the action mode

**NOTICE:** Do not rotate the action mode changing knob when the tool is running. The tool will be damaged.


**NOTICE:** To avoid rapid wear on the mode change mechanism, be sure that the action mode changing knob is always positively located in one of the three action mode positions.

## Rotation with hammering

For drilling in concrete, masonry, etc., rotate the action mode changing knob to the  symbol. Use a tungsten-carbide tipped bit (optional accessory).


- **Fig.9:** 1. Rotation with hammering 2. Action mode changing knob

## Rotation only

For drilling in wood, metal or plastic materials, rotate the action mode changing knob to the  symbol. Use a twist drill bit or wood drill bit.

- **Fig.10:** 1. Rotation only

## Hammering only

For chipping, scaling or demolition operations, rotate the action mode changing knob to the  symbol. Use a bull point, cold chisel, scaling chisel, etc.

- **Fig.11:** 1. Hammering only

## Hook

**CAUTION:** Always remove the battery when hanging the tool with the hook.

**CAUTION:** Never hook the tool at high location or on potentially unstable surface.

The hook is convenient for temporarily hanging the tool. To use the hook, simply lift up hook until it snaps into the open position. When not in use, always lower hook until it snaps into the closed position.

- **Fig.12:** 1. Hook

- **Fig.13**

## Connecting lanyard (tether strap) to the hook

**CAUTION:** Do not use damaged hook and screws. Before use, always check for damages, cracks or deformations, and make sure that the screws are tightened.

**CAUTION:** Make sure that the hook is securely installed with the screws.

**CAUTION:** Do not remove the battery cartridge while hanging the tool. The tool may fall if the screws are not tightened.

**CAUTION:** Always use a locking carabiner (multi-action and screw gate type) and be sure to attach the lanyard (tether strap) to the double looped portion of the hook. Improper attachment may cause tool drop from the hook and result in personal injury.

The hook is also used for connecting the lanyard (tether strap). Be sure to connect the lanyard (tether strap) to the double looped portion of the hook.

- **Fig.14:** 1. Double looped portion of the hook  
2. Lanyard (tether strap) 3. Locking carabiner (multi-action and screw gate type)

## Adjusting the nozzle position of the dust collection system

### Optional accessory

Push in the guide while pushing up the guide adjustment button, and then release the button at the desired position.

- **Fig.15:** 1. Guide 2. Guide adjustment button

**NOTE:** Before adjusting the nozzle position, release the nozzle forward completely by pushing up the guide adjustment button.

If a long drill bit is installed, extend the guide by pushing up the extension button.

- **Fig.16:** 1. Extension button

## Adjusting the drilling depth of the dust collection system

### Optional accessory

Slide the depth adjustment button to the desired position while pushing it up. The distance (A) is the drilling depth.

- **Fig.17:** 1. Depth adjustment button

## Torque limiter

**NOTICE:** As soon as the torque limiter actuates, switch off the tool immediately. This will help prevent premature wear of the tool.

**NOTICE:** Drill bits such as hole saw, which tend to pinch or catch easily in the hole, are not appropriate for this tool. This is because they will cause the torque limiter to actuate too frequently.

The torque limiter will actuate when a certain torque level is reached. The motor will disengage from the output shaft. When this happens, the drill bit will stop turning.

## Electronic function

The tool is equipped with the electronic functions for easy operation.

- **Constant speed control**  
The speed control function provides the constant rotation speed regardless of load conditions.
- **Active Feedback sensing Technology (For HR001G/HR002G)**  
If the tool is swung at the predetermined acceleration during operation, the motor is forcibly stopped to reduce the burden on the wrist.

**NOTE:** This function does not work if the acceleration does not reach the predetermined one when the tool is swung.

**NOTE:** If the bit is swung at the predetermined acceleration during chipping, scaling, or demolishing, the motor is forcibly stopped. In this case, release the switch trigger, and then pull the switch trigger to restart the tool.

## ASSEMBLY

**CAUTION:** Always be sure that the tool is switched off and the battery cartridge is removed before carrying out any work on the tool.

### Side grip (auxiliary handle)

**CAUTION:** Always use the side grip to ensure safe operation.

**CAUTION:** After installing or adjusting the side grip, make sure that the side grip is firmly secured.

To install the side grip, follow the steps below.

1. Loosen the thumb screw on the side grip.  
► **Fig.18:** 1. Thumb screw
2. Attach the side grip while pressing the thumb screw so that the grooves on the grip fit in the protrusions on the tool barrel.  
► **Fig.19:** 1. Thumb screw
3. Tighten the thumb screw to secure the grip. The grip can be fixed at desired angle.

### Grease

Coat the shank end of the drill bit beforehand with a small amount of grease (about 0.5 - 1 g). This chuck lubrication assures smooth action and longer service life.

### Installing or removing drill bit

Clean the shank end of the drill bit and apply grease before installing the drill bit.

- **Fig.20:** 1. Shank end 2. Grease

Insert the drill bit into the tool. Turn the drill bit and push it in until it engages.

After installing the drill bit, always make sure that the drill bit is securely held in place by trying to pull it out.

- **Fig.21:** 1. Drill bit


To remove the drill bit, pull the chuck cover down all the way and pull the drill bit out.

- **Fig.22:** 1. Drill bit 2. Chuck cover

### Chisel angle (when chipping, scaling or demolishing)

The chisel can be secured at the desired angle. To change the chisel angle, rotate the action mode changing knob to the O symbol. Turn the chisel to the desired angle.

- **Fig.23:** 1. Action mode changing knob

Rotate the action mode changing knob to the  symbol. Then make sure that the chisel is securely held in place by turning it slightly.

### Depth gauge

The depth gauge is convenient for drilling holes of uniform depth.

Press and hold the lock button, and then insert the depth gauge into the hex hole. Make sure that the toothed side of the depth gauge faces the marking.

- **Fig.24:** 1. Depth gauge 2. Lock button 3. Marking 4. Toothed side

Adjust the depth gauge by moving it back and forth while pressing the lock button. After the adjustment, release the lock button to lock the depth gauge.

**NOTE:** Make sure that the depth gauge does not touch the main body of the tool when attaching it.

### Installing or removing the dust collection system

#### Optional accessory

To install the dust collection system, insert the tool into the dust collection system all the way until it locks in place with a little double click.

- **Fig.25**

To remove the dust collection system, pull the tool while pressing the lock-off button.

- **Fig.26:** 1. Lock-off button

### Dust cup

#### Optional accessory

Use the dust cup to prevent dust from falling over the tool and on yourself when performing overhead drilling operations. Attach the dust cup to the bit as shown in the figure. The size of bits which the dust cup can be attached to is as follows.

Model	Bit diameter
Dust cup 5	6 mm - 14.5 mm
Dust cup 9	12 mm - 16 mm

- **Fig.27:** 1. Dust cup

## Dust cup set

### Optional accessory

Before installing the dust cup set, remove the bit from the tool if installed.

Install the dust cup set on the tool so that the  $\triangle$  symbol on the dust cup is aligned with the groove in the tool.

► Fig.28: 1.  $\triangle$  symbol 2. Groove

**NOTE:** If you connect a vacuum cleaner to the dust cup set, remove the dust cap before connecting it.

► Fig.29: 1. Dust cap

To remove the dust cup set, remove the bit while pulling the chuck cover in the direction of the arrow.

► Fig.30: 1. Bit 2. Chuck cover

Hold the root of dust cup and pull it out.

► Fig.31

**NOTE:** If the cap comes off from the dust cup, attach it with its printed side facing up so that groove on the cap fits in the inside periphery of the attachment.

► Fig.32

## OPERATION

**CAUTION:** Always use the side grip (auxiliary handle) and firmly hold the tool by both side grip and switch handle during operations.

**CAUTION:** Always make sure that the workpiece is secured before operation.

**CAUTION:** Do not pull the tool out forcibly even the bit gets stuck. Loss of control may cause injury.

**CAUTION:** The dust collection system is intended for drilling in concrete only. Do not use the dust collection system for drilling in metal or wood.

**CAUTION:** When using the tool with the dust collection system, be sure to attach the filter to the dust collection system to prevent dust inhalation.

**CAUTION:** Before using the dust collection system, check that the filter is not damaged. Failure to do so may cause dust inhalation.

**CAUTION:** The dust collection system collects the generated dust at a considerable rate, but not all dust can be collected.

**NOTICE:** Do not use the dust collection system for core drilling or chiseling.

**NOTICE:** Do not use the dust collection system for drilling in wet concrete or use this system in wet environment. Failure to do so may cause malfunction.

**NOTE:** If the battery cartridge is in low temperature, the tool's capability may not be fully obtained. In this case, warm up the battery cartridge by using the tool with no load for a while to fully obtain the tool's capability.

► Fig.33

## Hammer drilling operation

**CAUTION:** There is tremendous and sudden twisting force exerted on the tool/drill bit at the time of hole break-through, when the hole becomes clogged with chips and particles, or when striking reinforcing rods embedded in the concrete. **Always use the side grip (auxiliary handle) and firmly hold the tool by both side grip and switch handle during operations.** Failure to do so may result in the loss of control of the tool and potentially severe injury.

Set the action mode changing knob to the  $\text{T}$  symbol. Position the drill bit at the desired location for the hole, then pull the switch trigger. Do not force the tool. Light pressure gives best results. Keep the tool in position and prevent it from slipping away from the hole.

Do not apply more pressure when the hole becomes clogged with chips or particles. Instead, run the tool at an idle, then remove the drill bit partially from the hole. By repeating this several times, the hole will be cleaned out and normal drilling may be resumed.

**NOTE:** Eccentricity in the drill bit rotation may occur while operating the tool with no load. The tool automatically centers itself during operation. This does not affect the drilling precision.

## Chipping/Scaling/Demolition

Set the action mode changing knob to the  $\text{T}$  symbol. Hold the tool firmly with both hands. Turn the tool on and apply slight pressure on the tool so that the tool will not bounce around, uncontrolled. Pressing very hard on the tool will not increase the efficiency.

► Fig.34

## Drilling in wood or metal

**CAUTION:** Hold the tool firmly and exert care when the drill bit begins to break through the workpiece. There is a tremendous force exerted on the tool/drill bit at the time of hole break through.

**CAUTION:** A stuck drill bit can be removed simply by setting the reversing switch to reverse rotation in order to back out. However, the tool may back out abruptly if you do not hold it firmly.

**CAUTION:** Always secure workpieces in a vise or similar hold-down device.

**NOTICE:** Never use "rotation with hammering" when the drill chuck is installed on the tool. The drill chuck may be damaged. Also, the drill chuck will come off when reversing the tool.

**NOTICE:** Pressing excessively on the tool will not speed up the drilling. In fact, this excessive pressure will only serve to damage the tip of your drill bit, decrease the tool performance and shorten the service life of the tool.

Set the action mode changing knob to the  symbol.

## For HR001G/HR003G

### Optional accessory

Attach the chuck adapter to a keyless drill chuck to which 1/2"-20 size screw can be installed, and then install them to the tool. When installing it, refer to the section "Installing or removing drill bit".

► **Fig.35:** 1. Keyless drill chuck 2. Chuck adapter

## For HR002G/HR004G


Use the quick change drill chuck as standard equipment. When installing it, refer to "changing the quick change chuck for SDS-plus". Hold the ring and turn the sleeve counterclockwise to open the chuck jaws. Place the bit in the chuck as far as it will go. Hold the ring firmly and turn the sleeve clockwise to tighten the chuck.

► **Fig.36:** 1. Sleeve 2. Ring

To remove the bit, hold the ring and turn the sleeve counterclockwise.

## Diamond core drilling

**NOTICE:** If performing diamond core drilling operations using "rotation with hammering" action, the diamond core bit may be damaged.

When performing diamond core drilling operations, always set the action mode changing knob to the  position to use "rotation only" action.

## Beating dust on the filter

### Optional accessory

**CAUTION:** Do not turn the dial on the dust case while the dust case is removed from the dust collection system. Doing so may cause dust inhalation.

**CAUTION:** Always switch off the tool when turning the dial on the dust case. Turning the dial while the tool is running may result in the loss of control of the tool.

By beating the dust on the filter inside the dust case, you can keep the vacuum efficiency and also reduce the number of times to dispose of the dust. Turn the dial on the dust case three times after collecting every 50,000 mm<sup>3</sup> of dust or when you feel the vacuum performance declined.

**NOTE:** 50,000 mm<sup>3</sup> of dust equivalents to drilling 10 holes of ø10 mm and 65 mm depth (14 holes of ø3/8" and 2" depth).

► **Fig.37:** 1. Dust case 2. Dial

## Disposing of dust

### Optional accessory

**CAUTION:** Always be sure that the tool is switched off and the battery cartridge is removed before carrying out any work on the tool.

**CAUTION:** Be sure to wear dust mask when disposing of dust.

**CAUTION:** Empty the dust case regularly before the dust case becomes full. Failure to do so may decrease the dust collection performance and cause dust inhalation.

**CAUTION:** The performance of dust collection decreases if the filter in the dust case become clogged. Replace the filter with new one after approximately 200 times of dust fulfillment as a guide. Failure to do so may cause dust inhalation.

1. Remove the dust case while pressing down the lever of the dust case.

► **Fig.38:** 1. Lever

2. Open the cover of the dust case.

► **Fig.39:** 1. Cover

3. Dispose of the dust, and then clean the filter.

► **Fig.40**

**NOTICE:** When cleaning the filter, tap the case of the filter gently by hand to remove dust. Do not tap the filter directly; touch the filter with brush or similar; or blow compressed air on the filter. Doing so may damage the filter.

## Blow-out bulb

### Optional accessory

After drilling the hole, use the blow-out bulb to clean the dust out of the hole.

► **Fig.41**

## Using dust cup set

### Optional accessory

Fit the dust cup set against the ceiling when operating the tool.

► **Fig.42**

**NOTICE:** Do not use the dust cup set when drilling in metal or similar. It may damage the dust cup set due to the heat produced by small metal dust or similar.

**NOTICE:** Do not install or remove the dust cup set with the drill bit installed in the tool. It may damage the dust cup set and cause dust leak.

## Connecting lanyard (tether strap) to the hook

**⚠ Safety warnings specific for use at height**  
Read all safety warnings and instructions. Failure to follow the warnings and instructions may result in serious injury.

1. Always keep the tool tethered when working "at height". Maximum lanyard length is 2 m. The maximum permissible fall height for lanyard (tether strap) must not exceed 2 m.
2. Use only with lanyards appropriate for this tool type and rated for at least 8.0 kg.
3. Do not anchor the tool lanyard to anything on your body or on movable components. Anchor the tool lanyard to a rigid structure that can withstand the forces of a dropped tool.
4. Make sure the lanyard is properly secured at each end prior to use.
5. Inspect the tool and lanyard before each use for damage and proper function (including fabric and stitching). Do not use if damaged or not functioning properly.
6. Do not wrap lanyards around or allow them to come in contact with sharp or rough edges.
7. Fasten the other end of the lanyard outside the working area so that a falling tool is held securely.
8. Attach the lanyard so that the tool will move away from the operator if it falls. Dropped tools will swing on the lanyard, which could cause injury or loss of balance.
9. Do not use near moving parts or running machinery. Failure to do so may result in a crush or entanglement hazard.
10. Do not carry the tool by the attachment device or the lanyard.
11. Only transfer the tool between your hands while you are properly balanced.
12. Do not attach lanyards to the tool in a way that keeps switches or trigger-lock (if supplied) from operating properly.
13. Avoid getting tangled in the lanyard.
14. Keep lanyard away from the drilling area of the tool.
15. Use a locking carabiner (multi-action and screw gate type). Do not use single action spring clip carabiners.
16. In the event the tool is dropped, it must be tagged and removed from service, and should be inspected by a Makita Factory or Authorized Service Center.

## WIRELESS ACTIVATION FUNCTION

*Optional accessory for HR001G/HR002G*

### What you can do with the wireless activation function

The wireless activation function enables clean and comfortable operation. By connecting a supported vacuum cleaner to the tool, you can run the vacuum cleaner automatically along with the switch operation of the tool.

► Fig.43

To use the wireless activation function, prepare following items:

- A wireless unit (optional accessory)
- A vacuum cleaner which supports the wireless activation function

The overview of the wireless activation function setting is as follows. Refer to each section for detail procedures.

1. Installing the wireless unit
2. Tool registration for the vacuum cleaner
3. Starting the wireless activation function

### Installing the wireless unit

*Optional accessory*

**⚠ CAUTION:** Place the tool on a flat and stable surface when installing the wireless unit.

**NOTICE:** Clean the dust and dirt on the tool before installing the wireless unit. Dust or dirt may cause malfunction if it comes into the slot of the wireless unit.

**NOTICE:** To prevent the malfunction caused by static, touch a static discharging material, such as a metal part of the tool, before picking up the wireless unit.

**NOTICE:** When installing the wireless unit, always be sure that the wireless unit is inserted in the correct direction and the lid is completely closed.

1. Open the lid on the tool as shown in the figure.  
► Fig.44: 1. Lid
2. Insert the wireless unit to the slot and then close the lid.

When inserting the wireless unit, align the projections with the recessed portions on the slot.

- Fig.45: 1. Wireless unit 2. Projection 3. Lid  
4. Recessed portion

When removing the wireless unit, open the lid slowly. The hooks on the back of the lid will lift the wireless unit as you pull up the lid.

- Fig.46: 1. Wireless unit 2. Hook 3. Lid

After removing the wireless unit, keep it in the supplied case or a static-free container.

**NOTICE:** Always use the hooks on the back of the lid when removing the wireless unit. If the hooks do not catch the wireless unit, close the lid completely and open it slowly again.

## Tool registration for the vacuum cleaner

**NOTE:** A Makita vacuum cleaner supporting the wireless activation function is required for the tool registration.

**NOTE:** Finish installing the wireless unit to the tool before starting the tool registration.

**NOTE:** During the tool registration, do not pull the switch trigger or turn on the power switch on the vacuum cleaner.

**NOTE:** Refer to the instruction manual of the vacuum cleaner, too.

If you wish to activate the vacuum cleaner along with the switch operation of the tool, finish the tool registration beforehand.

1. Install the batteries to the vacuum cleaner and the tool.
2. Set the stand-by switch on the vacuum cleaner to "AUTO".  
▶ **Fig.47:** 1. Stand-by switch
3. Press the wireless activation button on the vacuum cleaner for 3 seconds until the wireless activation lamp blinks in green. And then press the wireless activation button on the tool in the same way.  
▶ **Fig.48:** 1. Wireless activation button 2. Wireless activation lamp

If the vacuum cleaner and the tool are linked successfully, the wireless activation lamps will light up in green for 2 seconds and start blinking in blue.

**NOTE:** The wireless activation lamps finish blinking in green after 20 seconds elapsed. Press the wireless activation button on the tool while the wireless activation lamp on the cleaner is blinking. If the wireless activation lamp does not blink in green, push the wireless activation button briefly and hold it down again.

**NOTE:** When performing two or more tool registrations for one vacuum cleaner, finish the tool registration one by one.

## Starting the wireless activation function

**NOTE:** Finish the tool registration for the vacuum cleaner prior to the wireless activation.

**NOTE:** Refer to the instruction manual of the vacuum cleaner, too.

After registering a tool to the vacuum cleaner, the vacuum cleaner will automatically runs along with the switch operation of the tool.

1. Install the wireless unit to the tool.
2. Connect the hose of the vacuum cleaner with the tool.  
▶ **Fig.49**

3. Set the stand-by switch on the vacuum cleaner to "AUTO".

▶ **Fig.50:** 1. Stand-by switch

4. Push the wireless activation button on the tool briefly. The wireless activation lamp will blink in blue.

▶ **Fig.51:** 1. Wireless activation button 2. Wireless activation lamp

5. Pull the switch trigger of the tool. Check if the vacuum cleaner runs while the switch trigger is being pulled.

To stop the wireless activation of the vacuum cleaner, push the wireless activation button on the tool.

**NOTE:** The wireless activation lamp on the tool will stop blinking in blue when there is no operation for 2 hours. In this case, set the stand-by switch on the vacuum cleaner to "AUTO" and push the wireless activation button on the tool again.

**NOTE:** The vacuum cleaner starts/stops with a delay. There is a time lag when the vacuum cleaner detects a switch operation of the tool.










**NOTE:** The transmission distance of the wireless unit may vary depending on the location and surrounding circumstances.

**NOTE:** When two or more tools are registered to one vacuum cleaner, the vacuum cleaner may start running even if you don't pull the switch trigger because another user is using the wireless activation function.

## Description of the wireless activation lamp status

### ► Fig.52: 1. Wireless activation lamp

The wireless activation lamp shows the status of the wireless activation function. Refer to the table below for the meaning of the lamp status.

Status	Wireless activation lamp				Description
	Color	 On	 Blinking	Duration	
Standby	Blue			2 hours	The wireless activation of the vacuum cleaner is available. The lamp will automatically turn off when no operation is performed for 2 hours.
				When the tool is running.	The wireless activation of the vacuum cleaner is available and the tool is running.
Tool registration	Green			20 seconds	Ready for the tool registration. Waiting for the registration by the vacuum cleaner.
				2 seconds	The tool registration has been finished. The wireless activation lamp will start blinking in blue.
Cancelling tool registration	Red			20 seconds	Ready for the cancellation of the tool registration. Waiting for the cancellation by the vacuum cleaner.
				2 seconds	The cancellation of the tool registration has been finished. The wireless activation lamp will start blinking in blue.
Others	Red			3 seconds	The power is supplied to the wireless unit and the wireless activation function is starting up.
	Off	-		-	The wireless activation of the vacuum cleaner is stopped.

## Cancelling tool registration for the vacuum cleaner

Perform the following procedure when cancelling the tool registration for the vacuum cleaner.

1. Install the batteries to the vacuum cleaner and the tool.
2. Set the stand-by switch on the vacuum cleaner to "AUTO".

### ► Fig.53: 1. Stand-by switch

3. Press the wireless activation button on the vacuum cleaner for 6 seconds. The wireless activation lamp blinks in green and then become red. After that, press the wireless activation button on the tool in the same way.

### ► Fig.54: 1. Wireless activation button 2. Wireless activation lamp

If the cancellation is performed successfully, the wireless activation lamps will light up in red for 2 seconds and start blinking in blue.

**NOTE:** The wireless activation lamps finish blinking in red after 20 seconds elapsed. Press the wireless activation button on the tool while the wireless activation lamp on the cleaner is blinking. If the wireless activation lamp does not blink in red, push the wireless activation button briefly and hold it down again.



## Troubleshooting for wireless activation function

Before asking for repairs, conduct your own inspection first. If you find a problem that is not explained in the manual, do not attempt to dismantle the tool. Instead, ask Makita Authorized Service Centers, always using Makita replacement parts for repairs.

State of abnormality	Probable cause (malfunction)	Remedy
The wireless activation lamp does not light/blink.	The wireless unit is not installed into the tool. The wireless unit is improperly installed into the tool.	Install the wireless unit correctly.
	The terminal of the wireless unit and/or the slot is dirty.	Gently wipe off dust and dirt on the terminal of the wireless unit and clean the slot.
	The wireless activation button on the tool has not been pushed.	Push the wireless activation button on the tool briefly.
	The stand-by switch on the vacuum cleaner is not set to "AUTO".	Set the stand-by switch on the vacuum cleaner to "AUTO".
	No power supply	Supply the power to the tool and the vacuum cleaner.
Cannot finish tool registration / cancelling tool registration successfully.	The wireless unit is not installed into the tool. The wireless unit is improperly installed into the tool.	Install the wireless unit correctly.
	The terminal of the wireless unit and/or the slot is dirty.	Gently wipe off dust and dirt on the terminal of the wireless unit and clean the slot.
	The stand-by switch on the vacuum cleaner is not set to "AUTO".	Set the stand-by switch on the vacuum cleaner to "AUTO".
	No power supply	Supply the power to the tool and the vacuum cleaner.
	Incorrect operation	Push the wireless activation button briefly and perform the tool registration/cancellation procedures again.
	The tool and vacuum cleaner are away from each other (out of the transmission range).	Get the tool and vacuum cleaner closer to each other. The maximum transmission distance is approximately 10 m however it may vary according to the circumstances.
	Before finishing the tool registration/cancellation; - the switch trigger on the tool is pulled or; - the power button on the vacuum cleaner is turned on.	Push the wireless activation button briefly and perform the tool registration/cancellation procedures again.
	The tool registration procedures for the tool or vacuum cleaner have not finished.	Perform the tool registration procedures for both the tool and the vacuum cleaner at the same timing.
	Radio disturbance by other appliances which generate high-intensity radio waves.	Keep the tool and vacuum cleaner away from the appliances such as Wi-Fi devices and microwave ovens.
The vacuum cleaner does not run along with the switch operation of the tool.	The wireless unit is not installed into the tool. The wireless unit is improperly installed into the tool.	Install the wireless unit correctly.
	The terminal of the wireless unit and/or the slot is dirty.	Gently wipe off dust and dirt on the terminal of the wireless unit and clean the slot.
	The wireless activation button on the tool has not been pushed.	Push the wireless activation button briefly and make sure that the wireless activation lamp is blinking in blue.
	The stand-by switch on the vacuum cleaner is not set to "AUTO".	Set the stand-by switch on the vacuum cleaner to "AUTO".
	More than 10 tools are registered to the vacuum cleaner.	Perform the tool registration again. If more than 10 tools are registered to the vacuum cleaner, the tool registered earliest will be cancelled automatically.
	The vacuum cleaner erased all tool registrations.	Perform the tool registration again.
	No power supply	Supply the power to the tool and the vacuum cleaner.
	The tool and vacuum cleaner are away from each other (out of the transmission range).	Get the tool and vacuum cleaner closer each other. The maximum transmission distance is approximately 10 m however it may vary according to the circumstances.
	Radio disturbance by other appliances which generate high-intensity radio waves.	Keep the tool and vacuum cleaner away from the appliances such as Wi-Fi devices and microwave ovens.
The vacuum cleaner runs while the tool's switch trigger is not pulled.	Other users are using the wireless activation of the vacuum cleaner with their tools.	Turn off the wireless activation button of the other tools or cancel the tool registration of the other tools.



# MAINTENANCE

**⚠ CAUTION:** Always be sure that the tool is switched off and the battery cartridge is removed before attempting to perform inspection or maintenance.

**NOTICE:** Never use gasoline, benzene, thinner, alcohol or the like. Discoloration, deformation or cracks may result.

To maintain product SAFETY and RELIABILITY, repairs, any other maintenance or adjustment should be performed by Makita Authorized or Factory Service Centers, always using Makita replacement parts.

## Replacing filter of dust case

### Optional accessory

1. Remove the dust case while pressing down the lever of the dust case.  
▶ **Fig.55:** 1. Lever
2. Insert the flat-blade screwdriver into the slots of the filter cover to remove the filter cover.  
▶ **Fig.56:** 1. Flat-blade screwdriver 2. Filter cover
3. Remove the filter from the filter case.  
▶ **Fig.57:** 1. Filter 2. Filter case
4. Attach a new filter to the filter case, and then attach the filter cover.
5. Close the cover of the dust case, and then attach the dust case to the dust collection system.

## Replacing sealing cap

### Optional accessory

If the sealing cap is worn out, the performance of the dust collection decreases. Replace it if it's worn out. Remove the sealing cap, and then attach a new one with its protrusion facing upward.

- ▶ **Fig.58:** 1. Protrusion 2. Sealing cap

# OPTIONAL ACCESSORIES

**⚠ CAUTION:** These accessories or attachments are recommended for use with your Makita tool specified in this manual. The use of any other accessories or attachments might present a risk of injury to persons. Only use accessory or attachment for its stated purpose.

If you need any assistance for more details regarding these accessories, ask your local Makita Service Center.

- Carbide-tipped drill bits (SDS-Plus carbide-tipped bits)
- Core bit
- Bull point

- Diamond core bit
- Cold chisel
- Scaling chisel
- Grooving chisel
- Chuck adapter
- Keyless drill chuck
- Bit grease
- Depth gauge
- Blow-out bulb
- Dust cup
- Dust cup set
- Hook set
- Dust case set
- Drill chuck set
- Filter set
- Tool holder set
- Joint set
- Dust collection system
- Wireless unit
- Makita genuine battery and charger
- Safety goggles
- Plastic carrying case

**NOTE:** Some items in the list may be included in the tool package as standard accessories. They may differ from country to country.

## SPECIFIKATIONER

Modell:		HR001G	HR002G	HR003G	HR004G
Kapaciteter	Cement	28 mm			
	Borrkrona	54 mm			
	Borr med diamantkrona (torr modell)	65 mm			
	Stål	13 mm			
	Trä	32 mm			
Hastighet utan belastning		0 - 980 min <sup>-1</sup>			
Slag per minut		0 - 5 000 min <sup>-1</sup>			
Märkspänning		36 V - 40 V likström max			
Total längd	med BL4025	358 mm	389 mm	358 mm	389 mm
	med BL4040	373 mm	404 mm	373 mm	404 mm
Nettovikt		3,9 - 4,6 kg	4,1 - 4,6 kg	3,9 - 4,6 kg	4,0 - 4,5 kg

### Extra tillbehör

Modell:	DX12 (För HR001G/HR003G)	DX14 (För HR002G/HR004G)
Sugförmåga	350 l/min	
Driftslag	Upp till 190 mm	
Lämpligt borr	Upp till 260 mm	
Märkspänning	36 V - 40 V likström max	
Nettovikt	1,6 kg	

- På grund av vårt pågående program för forskning och utveckling kan dessa specifikationer ändras utan föregående meddelande.
- Specifikationer kan variera mellan olika länder.
- Vikten kan variera beroende på tillbehören, inklusive batterikassett. Den lättaste och den tyngsta kombinationen enligt EPTA-procedur 01/2014 visas i tabellen.

### Tillgänglig batterikassett och laddare

Batterikassett	BL4025/BL4040
Laddare	DC40RA

- Vissa av batterikassetterna och laddarna på listan ovan kanske inte finns tillgängliga i din region.

**⚠ VARNING: Använd endast batterikassetter och laddare från listan ovan.** Användning av andra batterikassetter och laddare kan orsaka personskada och/eller brand.

### Avsedd användning

Maskinen är avsedd för slagborrning och borring i tegel, betong och sten, samt för bearbetningsarbeten. Den är även lämpad för borring utan slag i trä, metall, keramik och plást.

### Buller

Den normala bullernivån för A-belastning är bestämd enligt EN60745-2-6:

#### Modell HR001G

Ljudtrycksnivå ( $L_{pA}$ ): 95 dB (A)  
Ljudeffektnivå ( $L_{WA}$ ): 106 dB (A)  
Måttolerans (K): 3 dB (A)

#### Modell HR002G

Ljudtrycksnivå ( $L_{pA}$ ): 93 dB (A)  
Ljudeffektnivå ( $L_{WA}$ ): 104 dB (A)  
Måttolerans (K): 3 dB (A)

#### Modell HR003G

Ljudtrycksnivå ( $L_{pA}$ ): 95 dB (A)  
Ljudeffektnivå ( $L_{WA}$ ): 106 dB (A)  
Måttolerans (K): 3 dB (A)

#### Modell HR004G

Ljudtrycksnivå ( $L_{pA}$ ): 93 dB (A)  
Ljudeffektnivå ( $L_{WA}$ ): 104 dB (A)  
Måttolerans (K): 3 dB (A)

#### Modell HR001G med DX12

Ljudtrycksnivå ( $L_{pA}$ ): 93 dB (A)  
Ljudeffektnivå ( $L_{WA}$ ): 104 dB (A)  
Måttolerans (K): 3 dB (A)

#### Modell HR002G med DX14

Ljudtrycksnivå ( $L_{pA}$ ): 93 dB (A)  
Ljudeffektnivå ( $L_{WA}$ ): 104 dB (A)  
Måttolerans (K): 3 dB (A)

### Modell HR003G med DX12

Ljudtrycksnivå ( $L_{pA}$ ): 93 dB (A)

Ljudeffektnivå ( $L_{WA}$ ): 104 dB (A)

Måttolerans (K): 3 dB (A)

### Modell HR004G med DX14

Ljudtrycksnivå ( $L_{pA}$ ): 93 dB (A)

Ljudeffektnivå ( $L_{WA}$ ): 104 dB (A)

Måttolerans (K): 3 dB (A)

**OBS:** Det deklarerade bullervärdet har uppmätts i enlighet med standardtestmetoden och kan användas för jämförandet av en maskin med en annan.

**OBS:** Det deklarerade bulleremissionsvärdet kan också användas i en preliminär bedömning av exponering för vibration.

**⚠ VARNING:** Använd hörselskydd.

**⚠ VARNING:** Bulleremissionen under faktisk användning av maskinen kan skilja sig från det deklarerade värdet, beroende på hur maskinen används och särskilt vilken typ av arbetsstycke som behandlas.

**⚠ VARNING:** Var noga med att identifiera säkerhetsåtgärder för att skydda användaren, vilka är grundade på en uppskattning av graden av exponering för vibrationer under de faktiska användningsförhållandena, (ta, förutom avtryckartiden, med alla delar av användarcykeln i beräkningen, som till exempel tiden då maskinen är avstängd och när den går på tomgång).

## Vibration

Följande tabell visar totalt vibrationsvärde (treaxlars vektorsumma) bestämt enligt tillämplig standard.

### Modell HR001G

Arbetsläge	Vibrationsemission	Måttolerans (K)	Gällande standard
Slagborrning i betong ( $a_{h, HD}$ )	7,0 m/s <sup>2</sup>	1,5 m/s <sup>2</sup>	EN60745-2-6
Slagborrning i betong med DX12 ( $a_{h, HD}$ )	7,0 m/s <sup>2</sup>	1,5 m/s <sup>2</sup>	EN60745-2-6
Bearbetningsfunktion med sidohandtag ( $a_{h, Cheq}$ )	6,5 m/s <sup>2</sup>	1,5 m/s <sup>2</sup>	EN60745-2-6
Slagborrning i metall ( $a_{h, D}$ )	2,5 m/s <sup>2</sup> eller lägre	1,5 m/s <sup>2</sup>	EN60745-2-1

### Modell HR002G

Arbetsläge	Vibrationsemission	Måttolerans (K)	Gällande standard
Slagborrning i betong ( $a_{h, HD}$ )	6,5 m/s <sup>2</sup>	1,5 m/s <sup>2</sup>	EN60745-2-6
Slagborrning i betong med DX14 ( $a_{h, HD}$ )	6,0 m/s <sup>2</sup>	1,5 m/s <sup>2</sup>	EN60745-2-6
Bearbetningsfunktion med sidohandtag ( $a_{h, Cheq}$ )	7,5 m/s <sup>2</sup>	1,5 m/s <sup>2</sup>	EN60745-2-6
Slagborrning i metall ( $a_{h, D}$ )	2,5 m/s <sup>2</sup>	1,5 m/s <sup>2</sup>	EN60745-2-1

### Modell HR003G

Arbetsläge	Vibrationsemission	Måttolerans (K)	Gällande standard
Slagborrning i betong ( $a_{h, HD}$ )	7,0 m/s <sup>2</sup>	1,5 m/s <sup>2</sup>	EN60745-2-6
Slagborrning i betong med DX12 ( $a_{h, HD}$ )	7,0 m/s <sup>2</sup>	1,5 m/s <sup>2</sup>	EN60745-2-6
Bearbetningsfunktion med sidohandtag ( $a_{h, Cheq}$ )	7,0 m/s <sup>2</sup>	1,5 m/s <sup>2</sup>	EN60745-2-6
Slagborrning i metall ( $a_{h, D}$ )	2,5 m/s <sup>2</sup> eller lägre	1,5 m/s <sup>2</sup>	EN60745-2-1

### Modell HR004G

Arbetsläge	Vibrationsemission	Måttolerans (K)	Gällande standard
Slagborrning i betong ( $a_{h, HD}$ )	6,5 m/s <sup>2</sup>	1,5 m/s <sup>2</sup>	EN60745-2-6
Slagborrning i betong med DX14 ( $a_{h, HD}$ )	6,0 m/s <sup>2</sup>	1,5 m/s <sup>2</sup>	EN60745-2-6
Bearbetningsfunktion med sidohandtag ( $a_{h, Cheq}$ )	7,5 m/s <sup>2</sup>	1,5 m/s <sup>2</sup>	EN60745-2-6
Slagborrning i metall ( $a_{h, D}$ )	2,5 m/s <sup>2</sup>	1,5 m/s <sup>2</sup>	EN60745-2-1

**OBS:** Det deklarerade totala vibrationsvärdet har uppmätts i enlighet med standardtestmetoden och kan användas för jämförandet av en maskin med en annan.

**OBS:** Det deklarerade totala vibrationsvärdet kan också användas i en preliminär bedömning av exponering för vibration.

**⚠ VARNING:** Vibrationsemissionen under faktisk användning av maskinen kan skilja sig från det deklarerade värdet, beroende på hur maskinen används och särskilt vilken typ av arbetsstycke som behandlas.

**⚠ VARNING:** Var noga med att identifiera säkerhetsåtgärder för att skydda användaren, vilka är grundade på en uppskattning av graden av exponering för vibrationer under de faktiska användningsförhållandena, (ta, förutom avtryckartiden, med alla delar av användarcykeln i beräkningen, som till exempel tiden då maskinen är avstängd och när den går på tomgång).

## EG-försäkringen om överensstämmelse

### Gäller endast inom EU

EG-försäkringen om överensstämmelse inkluderas som bilaga A till denna bruksanvisning.

# SÄKERHETSVARNINGAR

## Allmänna säkerhetsvarningar för maskiner

**⚠ VARNING:** Läs alla säkerhetsvarningar, anvisningar, illustrationer och specifikationer som medföljer det här maskinen. Underlåtenhet att följa instruktionerna kan leda till elstöt, brand och/eller allvarliga personsador.

## Spara alla varningar och instruktioner för framtida referens.

Termen "maskin" som anges i varningarna hänvisar till din eldrivna maskin (sladdansluten) eller batteridrivna maskin (sladdlös).

## SÄKERHETSVARNINGAR FÖR BATTERIDRIVEN BORRHAMMARE

1. Använd hörselskydd. Kraftigt buller kan orsaka hörselsador.
2. Använd extrahandtag om det levereras med maskinen. Om du förlorar kontrollen över maskinen kan det leda till personsador.
3. Håll verktyget i de isolerade handtagen om det finns risk för att sågverktyget kan komma i kontakt med en dold elkabel. Om sågverktyget kommer i kontakt med en strömförande ledning blir verktygets blottlagda metalldelar strömförande och kan ge användaren en elektrisk stöt.
4. Använd en hård hjälm (skyddshjäl), skyddsglasögon och/eller ansiktsskydd. Vanliga glasögon och solglasögon är INTE skyddsglasögon. Du bör också bära ett dammskydd och tjockt fodrade handskar.
5. Se till att borret sitter säkert innan maskinen används.
6. Under normal användning vibrerar maskinen. Skruvarna kan lätt lossna, vilket kan orsaka maskinhaveri eller en olycka. Kontrollera att skruvarna är åtdragna innan maskinen används.
7. I kall väderlek, eller när verktyget inte använts under en längre tid, bör du värma upp verktyget genom att använda det utan belastning. Detta gör smörjningen mer viskös. Utan uppvärmning blir det svårt att använda hammaren.
8. Se till att alltid ha ordentligt fotfäste. Se till att ingen står under dig när maskinen används på hög höjd.
9. Håll maskinen stadigt med båda händerna.
10. Håll händerna borta från rörliga delar.
11. Lämn inte maskinen igång. Använd endast maskinen när du håller den i händerna.
12. Rikta inte maskinen mot någon när den används. Borret kan flyga ut och skada någon allvarligt.
13. Rör inte vid borret, närliggande delar eller arbetsstycket efter användning, då de kan vara extremt varma och orsaka brännskador.

14. Vissa material kan innehålla giftiga kemikalier. Se till att du inte andas in damm eller får det på huden. Följ anvisningarna i leverantörens materialsäkerhetsblad.
15. Se alltid till att maskinen är avstängd och att batterikassetten och bitset är borttagna innan du ger maskinen till en annan person.
16. Se innan användning till att det inte finns några begravnade föremål som elrör, vattenrör eller gasrör inom arbetsområdet. Annars kan borret/mejseln komma åt dem vilket kan leda till elektrisk stöt, läckströmmar eller gasläckor.

## SPARA DESSA ANVISNINGAR.

**⚠ VARNING:** GLÖM INTE att också fortsättningsvis strikt följa säkerhetsanvisningarna för maskinen även efter att du blivit van att använda den. Vid FELAKTIG HANTERING av maskinen eller om inte säkerhetsanvisningarna i denna bruksanvisning följs kan följden bli allvarliga personsador.

## Viktiga säkerhetsanvisningar för batterikassetten

1. Innan batterikassetten används ska alla instruktioner och varningsmärken på (1) batteriladdaren, (2) batteriet och (3) produkten läsas.
2. Monter inte isär eller mixtra med batterikassetten. Det kan leda till brand, överdriven värme eller explosion.
3. Om drifttiden blivit avsevärt kortare ska användningen avbrytas omedelbart. Det kan uppstå överhettning, brännskador och t o m en explosion.
4. Om du får elektrolyt i ögonen ska de sköljas med rent vatten och läkare uppsökas omedelbart. Det finns risk för att synen förloras.
5. Kortslut inte batterikassetten.
  - (1) Rör inte vid polerna med något strömförande material.
  - (2) Undvik att förvara batterikassetten tillsammans med andra metallobjekt som t.ex. spikar, mynt o.s.v.
  - (3) Skydda batteriet mot vatten och regn. En batterikortslutning kan orsaka ett stort strömflöde, överhettning, brand och maskinhaveri.
6. Förvara inte maskinen och batterikassetten på platser där temperaturen kan nå eller överstiga 50 °C.
7. Bränn inte upp batterikassetten även om den är svårt skadad eller helt utsliten. Batterikassetten kan explodera i öppen eld.
8. Spika inte i, krossa, kasta, tappa eller slå batterikassetten mot hårda föremål. Dyliga handlingar kan leda till brand, överdriven värme eller explosion.
9. Använd inte ett skadat batteri.
10. De medföljande litiumjonbatterierna är föremål för kraven i gällande lagstiftning för farligt gods. För kommersiella transporter (av t.ex. tredje parter som speditorsfirmor) måste de särskilda transportkrav som anges på emballaget och etiketter iakttas.

För att förbereda den produkt som ska avsändas krävs att du konsulterar en expert på riskmaterial. Var också uppmärksam på att det i ditt land kan finnas ytterligare föreskrifter att följa. Tejpa över eller maskera blottade kontakter och packa batteriet på sådant sätt att det inte kan röra sig fritt i förpackningen.

11. När batterikassetten ska kasseras måste den tas bort från maskinen och kasseras på ett säkert sätt. Följ lokala föreskrifter beträffande avfallshandtering av batteriet.
12. Använd endast batterierna med de produkter som specificerats av Makita. Att använda batterierna med ej godkända produkter kan leda till brand, överdriven värme, explosion eller utläckande elektrolyt.
13. Om maskinen inte används under en lång tid måste batteriet tas bort från maskinen.
14. Under och efter användning kan batterikassetten bli het vilket kan orsaka brännskador eller lättare brännskador. Var uppmärksam på hur du hanterar varma batterikassetter.
15. Vidrör inte verktygets kontakter direkt efter användning eftersom de kan bli heta och orsaka brännskador.
16. Låt inte flisor, damm eller smuts fastna i kontakterna, i hål eller spår i batterikassetten. Det kan leda till dålig prestanda eller till att verktyget eller batterikassetten går sönder.
17. Såvida inte verktyget stöder arbeten i närheten av högspänningsledning får batterikassetten inte användas i närheten av en högspänningsledning. Det kan leda till att verktyget eller batterikassetten går sönder eller inte fungerar korrekt.

## SPARA DESSA ANVISNINGAR.

**⚠ FÖRSIKTIGT:** Använda endast äkta Makita-batterier. Användning av oäkta Makita-batterier eller batterier som har manipulerats kan leda till person- och utrustningsskador eller till att batteriet fattar eld. Det upphäver också Makitas garanti för verktyget och laddaren.

## Tips för att uppnå batteriets maximala livslängd

1. Ladda batterikassetten innan den är helt urladdad. Stanna alltid maskinen och ladda batterikassetten när du märker att maskinen blir svagare.
2. Ladda aldrig en fulladdad batterikassett. Överladdning förkortar batteriets livslängd.
3. Ladda batterikassetten vid en rumstemperatur på 10 °C - 40 °C. Låt en varm batterikassett svalna innan den laddas.
4. När batterikassetten inte används ska den tas bort från verktyget eller laddaren.
5. Ladda batterikassetten om du inte har använt den på länge (mer än sex månader).

## Viktiga säkerhetsanvisningar för den trådlösa enheten

1. Montera inte isär eller manipulera den trådlösa enheten.
2. Förvara den trådlösa enheten utom räckhåll för barn. Om den råkar sväljas, sök omedelbart läkarhjälp.
3. Använd den trådlösa enheten endast ihop med Makita-verktyg.
4. Utsätt inte den trådlösa enheten för regn eller våta förhållanden.
5. Använd inte den trådlösa enheten på platser där temperaturen överstiger 50 °C.
6. Använd inte den trådlösa enheten på platser där medicinska instrument som pacemakers finns i närheten.
7. Använd inte den trådlösa enheten på platser där automatiska enheter finns i närheten. Om de är igång kan automatiska enheter utveckla funktionsstörningar eller fel.
8. Använd inte den trådlösa enheten på platser med hög temperatur eller där det kan skapas statisk elektricitet eller elektriskt brus.
9. Den trådlösa enheten kan alstra elektromagnetiska fält (EMF) men dessa är inte skadliga för användaren.
10. Den trådlösa enheten är ett noggrant instrument. Var försiktig så att du inte råkar tappa den trådlösa enheten eller utsätta den för stötar.
11. Undvik att vidröra den trådlösa enhetens terminal med bara händer eller metallmaterial.
12. Ta alltid bort batteriet på produkten när du installerar den trådlösa enheten på den.
13. När du öppnar skårans lock, undvik då det ställe där damm och vatten kan komma in i skåran. Håll alltid skårans inlopp rent.
14. Sätt alltid in den trådlösa enheten i rätt riktning.
15. Tryck inte för hårt på knappen för trådlös aktivering på den trådlösa enheten, och tryck inte på knappen med ett föremål med vass kant.
16. Stäng alltid skårans lock vid körning.
17. Ta inte bort den trådlösa enheten från skåran medan ström tillförs till verktyget. Att göra det kan orsaka funktionsfel på den trådlösa enheten.
18. Ta inte bort dekalen på den trådlösa enheten.
19. Sätt inte någon dekal på den trådlösa enheten.
20. Lämna inte den trådlösa enheten någonstans där det kan skapas statisk elektricitet eller elektriskt brus.
21. Lämna inte den trådlösa enheten någonstans där den utsätts för hög värme, t.ex. en bil i solen.
22. Lämna inte den trådlösa enheten på ett dammig eller pulvrigt ställe eller någonstans där korrosiv gas kan bildas.
23. Plötsliga temperaturförändringar kan göra den trådlösa enheten daggbestänkt. Använd inte den trådlösa enheten förrän daggen helt har torkat bort.

24. När den trådlösa enheten rengörs, torka den då med en torr mjuk duk. Använd inte tvättbensin, thinner, konduktivt fett eller liknande.
25. När den trådlösa enheten ska tas i förvar, ha den då i det tillhörande fodralet eller en behållare med skydd mot statisk laddning.
26. Sätt inte in några andra enheter än den trådlösa Makita-enheten i skåran på verktyget.
27. Använd inte verktyget om skårans lock är skadat. Det kan komma in vatten, damm och smuts i skåran som orsakar funktionsfel.
28. Dra eller vrid inte skårans lock mer än nödvändigt. Sätt tillbaka locket om det lossnar från verktyget.
29. Ersätt skårans lock om det går förlorat eller skadas.

## SPARA DESSA ANVISNINGAR.

## FUNKTIONSBESKRIVNING

**⚠ FÖRSIKTIGT:** Se alltid till att maskinen är avstängd och batterikassetten borttagen innan du justerar maskinen eller kontrollerar dess funktioner.

### Montera eller demontera batterikassetten

**⚠ FÖRSIKTIGT:** Stäng alltid av maskinen innan du monterar eller tar bort batterikassetten.

**⚠ FÖRSIKTIGT:** Håll stadigt i maskinen och batterikassetten när du monterar eller tar bort batterikassetten. I annat fall kan det leda till att de glider ur dina händer och orsakar skada på maskinen och batterikassetten samt personskada.

► **Fig.1:** 1. Röd indikator 2. Knapp 3. Batterikassetten

Ta bort batterikassetten genom att skjuta ner knappen på kassetterns framsida samtidigt som du drar ut batterikassetten.

Sätt in batterikassetten genom att rikta in tungan på batterikassetten mot spåret i höljet och skjut den på plats. Tryck in batterikassetten ordentligt tills den låser fast med ett klick. Om du kan se den röda indikatorn på knappens ovansida är den inte låst ordentligt.

**⚠ FÖRSIKTIGT:** Sätt alltid in batterikassetten helt tills den röda indikatorn inte längre syns.

I annat fall kan den oöventat falla ur maskinen och skada dig eller någon annan.

**⚠ FÖRSIKTIGT:** Montera inte batterikassetten med våld. Om kassetten inte lätt glider på plats är den felinställd.

## Indikerar kvarvarande batterikapacitet

Tryck på kontrollknappen på batterikassetten för att se kvarvarande batterikapacitet. Indikatorlamporna lyser i ett par sekunder.

► **Fig.2:** 1. Indikatorlampor 2. Kontrollknapp

Indikatorlampor			Kvarvarande kapacitet
Upplyst	Av	Blinkar	
■ ■ ■ ■			75% till 100%
■ ■ ■ □			50% till 75%
■ ■ □ □			25% till 50%
■ □ □ □			0% till 25%
◐ □ □ □			Ladda batteriet.
■ ■ □ □			Batteriet kan ha skadats.
□ □ ■ ■			

**OBS:** Beroende på användningsförhållanden och den omgivande temperaturen kan indikationen skilja sig lätt från den faktiska batterikapaciteten.

## Skyddssystem för maskinen/batteriet

Verktyget är utrustat med ett skyddssystem för verktyget/batteriet. Detta system bryter automatiskt strömmen till motorn för att förlänga verktygets och batteriets livslängd. Verktyget stoppar automatiskt under användningen om verktyget eller batteriet hamnar i en av följande situationer:

### Överbelastningsskydd

Om batteriet används på ett sätt som gör att det drar normalt mycket ström kan det stoppas automatiskt utan någon varning. När detta sker stänger du av verktyget och upphör med arbetet som gjorde att verktyget överbelastades. Starta därefter verktyget igen.

### Överhettningsskydd

När maskinen eller batteriet överhettas stoppas maskinen automatiskt. I sådant fall ska du låta maskinen och batteriet svalna innan du startar maskinen igen.

**OBS:** Lampan blinkar när maskinen är överhettad.

### Överurladdningsskydd

När batteriets kapacitet är otillräcklig stoppar maskinen automatiskt. I sådant fall ska batteriet tas ur maskinen och laddas.

## Avtryckarens funktion

**⚠VARNING:** Innan du sätter i batterikassetten i maskinen ska du kontrollera att avtryckaren fungerar och återgår till läget "OFF" när du släpper den.

► Fig.3: 1. Avtryckare

Tryck in avtryckaren för att starta verktyget. Hastigheten ökas genom att trycka hårdare på avtryckaren. Släpp avtryckaren för att stoppa maskinen.

## Hastighetsändring

Varvtal och antal slag per minut kan justeras genom att vrida inställningsratten. Ratten är markerad med 1 (lägsta hastighet) till 5 (full hastighet).

► Fig.4: 1. Inställningsratt

Se nedanstående tabell för sambandet mellan numret på inställningsratten och varvtal och slag per minut.

Nummer	Varv per minut	Slag per minut
5	980	5 000
4	870	4 440
3	630	3 210
2	380	1 940
1	300	1 530

**⚠FÖRSIKTIGT:** Vrid inte inställningsratten när maskinen arbetar. I annat fall är det lätt hänt att du förlorar kontrollen över maskinen och kan leda till skada.

**OBSERVERA:** Om maskinen används oavbrutet på låg hastighet under lång tid överbelastas motorn, vilket leder till funktionsfel på maskinen.

**OBSERVERA:** Ratten för hastighetsinställning kan endast vridas upp till 5 och tillbaka till 1. Tvinga den inte förbi 5 eller 1, eftersom hastighetsinställningen då kan sättas ur funktion.

**OBS:** Funktionen mjuk rotation utan last (För HR001G/HR002G)

När ratten för hastighetsinställning står på "4" eller högre minskar verktyget automatiskt varvtalet när verktyget körs utan belastning för att minska vibrationerna när verktyget körs utan belastning. När maskinen väl börjar arbeta med ett bits mot betongen, ökar slagen per minut och när de siffror som visas i tabellen. När temperaturen är låg och smörjoljan är trögflytande, kan det hända att verktyget inte har denna funktion även när motorn roterar.

## Tända frontlampan

► Fig.5: 1. Lampa

**⚠FÖRSIKTIGT:** Titta inte in i ljuset eller direkt i ljuskällan.

Tryck på avtryckaren för att tända lampan. Lampan fortsätter att lysa så länge du håller avtryckaren intryckt. Lampan slocknar ungefär 10 sekunder efter att du har släppt avtryckaren.

**⚠FÖRSIKTIGT:** För HR001G/HR002G

Om lampan slocknar efter att ha blinkat ett par sekunder fungerar inte den aktiva tekniken för återkoppling. Kontakta ditt lokala Makita-servicecenter för reparation.

**OBS:** Använd en torr trasa för att torka bort smuts från lampglaset. Var försiktig så att inte lampglaset repas eftersom ljuset då kan bli svagare.

**OBS:** Om dammuppsamlarsystemet är installerat på maskinen tänds lampan på dammuppsamlaren istället för lampan på maskinen.

## Reverseringsspakens funktion

► Fig.6: 1. Reverseringsspak

**⚠FÖRSIKTIGT:** Kontrollera alltid rotationsriktningen före användning.

**⚠FÖRSIKTIGT:** Använd endast reverseringsknappen när maskinen har stoppat helt. Maskinen kan skadas om du byter rotationsriktning medan den fortfarande roterar.

**⚠FÖRSIKTIGT:** Ställ alltid in reverseringsspaken i neutralt läge när du inte använder maskinen.

Denna maskin har en reverseringsknapp för byte av rotationsriktning. Tryck in reverseringsspaken från sida A för medurs rotation och från sida B för moturs rotation. När reverseringsspaken är i neutralt läge fungerar inte avtryckaren.



## Byte av snabbchuck för SDS-Plus

### För HR002G/HR004G

Snabbchucken för SDS-Plus kan lätt bytas ut mot snabbchucken för borr.




### Demontering av snabbchuck för SDS-Plus

**⚠FÖRSIKTIGT:** Ta alltid bort borret innan snabbchucken för SDS-Plus avlägsnas.

Fatta tag i fästhöljet för snabbchucken för SDS-Plus, och vrid det i pilens riktning tills linjen på fästhöljet har flyttats från symbolen  till symbolen . Dra med kraft i pilens riktning.

► Fig.7: 1. Snabbchuck för SDS-Plus 2. Fästhölje 3. Fästhöljeslinje

### Fastsättning av snabbchuck för borr

Kontrollera att linjen på snabbchucken för borr visar symbolen . Fatta tag i fästhöljet för snabbchucken och ställ in linjen mot symbolen . Sätt snabbchucken på maskinens spindel. Fatta tag i fästhöljet för snabbchucken, och vrid linjen på fästhöljet till symbolen  tills det hörs ett tydligt klickljud.

► Fig.8: 1. Snabbchuck 2. Spindel 3. Fästhöljeslinje 4. Fästhölje




## Välja arbetsläge

**OBSERVERA:** Använd inte arbetslägesreglaget när verktyget används. Verktyget kan skadas.


**OBSERVERA:** För att undvika slitage på mekanismen för lägesändring ska du se till att reglaget för byte av arbetsläge alltid är säkert placerat i ett av de tre arbetslägena.

## Slagborrning

Vrid reglaget för byte av arbetsläge till symbolen  för borring i betong, murbruk mm. Använd ett borr med en spets av volframkarbid (extra tillbehör).


► **Fig.9:** 1. Slagborrning 2. Spak för byte av arbetsläge

## Endast borring

Vid borring i trä, metall eller plastmaterial, vrid reglaget för byte av arbetsläge till symbolen . Använd borr för metall eller trä.

► **Fig.10:** 1. Endast borring

## Endast slag

Vrid reglaget för byte av arbetsläge till symbolen  för huggmejslings-, gradmejslings- eller demoleringsarbete. Använd en spetsmejsel, kallmejsel, gradmejsel mm.

► **Fig.11:** 1. Endast slag

## Krok

**⚠ FÖRSIKTIGT:** Ta alltid bort batteriet när du hänger upp maskinen med kroken.

**⚠ FÖRSIKTIGT:** Häng aldrig upp maskinen på hög höjd eller på platser som inte är helt stabila.

Haken kan användas när du vill hänga upp verktyget temporärt.

När du ska använda kroken lyfter du den helt enkelt tills den fastnar i öppet läge. När du inte behöver den, trycker du in kroken tills den fastnar i stängt läge.

► **Fig.12:** 1. Krok

► **Fig.13**

## Ansluta repet (fästrem) på kroken

**⚠ FÖRSIKTIGT:** Använd inte skadad krok och skruvar. Kontrollera alltid innan användning avseende skada, sprickor eller deformationer, och se till att skruvarna är åtdragna.

**⚠ FÖRSIKTIGT:** Se till att kroken sitter ordentligt fast med skruvarna.

**⚠ FÖRSIKTIGT:** Ta inte bort batterikassetten när verktyget hänger. Verktyget kan falla om inte skruvarna är åtdragna.

**⚠ FÖRSIKTIGT:** Använd alltid en låsarbinstake (flerfunktions och skruvtyp) och se till att repet (fästrem) är fäst till delen med dubbla öglor på kroken. Felaktig fastsättning kan leda till att verktyget faller från kroken och leda till personskada.

Kroken används även för anslutning av repet (fästrem). Se till att fästa repet (fästrem) till delen med dubbla öglor på kroken.

► **Fig.14:** 1. Del med dubbla öglor på kroken 2. Rep (fästrem) 3. Låsarbinstake (flerfunktions och skruvtyp)

## Inställning av munstyckets läge på dammuppsamlarsystemet

### Extra tillbehör

Tryck in guiden samtidigt som du trycker in guideinställningsknappen, släpp därefter knappen vid önskat läge.

► **Fig.15:** 1. Guide 2. Guideinställningsknapp

**OBS:** Innan du ställer in munstyckets läge, för munstycket hela vägen framåt genom att trycka på guideinställningsknappen.

Om ett långt borr är installerat, skjut ut guiden genom att trycka på förlängningsknappen.

► **Fig.16:** 1. Förlängningsknapp

## Inställning av borrhjup på dammuppsamlarsystemet

### Extra tillbehör

Skjut djupinställningsknappen till önskat läge samtidigt som du trycker på den. Avståndet (A) är lika med borrhjupet.

► **Fig.17:** 1. Djupinställningsknapp

## Momentbegränsare

**OBSERVERA:** Stäng omedelbart av maskinen så snart momentbegränsaren aktiveras. Detta förhindrar onödigt slitage på maskinen.

**OBSERVERA:** Borr som hålsåg, vilken har en tendens att klämmas eller fastna lätt i hålet, är inte lämplig för denna maskin. Detta för att de gör så att momentbegränsaren aktiveras för ofta.

Momentbegränsaren aktiveras när ett visst vridmoment uppnås. Motorn kopplas bort från borrhjupet. När detta inträffar slutar borret att rotera.

## Elektronisk funktion

Maskinen är utrustad med elektroniska funktioner för enkel användning.

- Konstant hastighetskontroll  
Hastighetskontrollfunktionen ger en konstant rotationshastighet oavsett belastningsförhållanden.
- Aktiv teknik för avkänning av återkoppling (För HR001G/HR002G)  
Om maskinen slungas i en fördefinierad acceleration vid drift stängs motorn av för att minska bördan på handleden.

**OBS:** Denna funktion fungerar inte om accelerationen inte uppnår det förinställda värdet när maskinen används.

**OBS:** Om bitset slungas i en fördefinierad acceleration vid huggmejsling, gradmejsling eller demolering, stängs motorn av. Släpp i detta fall avtryckaren och tryck in avtryckaren för att starta om maskinen.



# MONTERING

**⚠ FÖRSIKTIGT:** Se alltid till att maskinen är avstängd och batterikassetten borttagen innan du underhåller maskinen.

## Sidohandtag (extrahandtag)

**⚠ FÖRSIKTIGT:** Använd alltid sidohandtaget för att garantera säker drift.

**⚠ FÖRSIKTIGT:** Efter installation eller justering av sidohandtaget måste du se till att sidohandtaget sitter ordentligt fast.

Följ stegen nedan för att installera sidohandtaget.

1. Lossa tumskruven på sidohandtaget.  
► **Fig.18:** 1. Tumskruv
2. Sätt in sidohandtaget samtidigt som du trycker på tumskruven så att spåren i handtaget passar in i spåren på den cylindriska delen.  
► **Fig.19:** 1. Tumskruv
3. Dra åt tumskruven för att fästa handtaget. Handtaget kan fästas i önskad vinkel.

## Fett

Täck på förhand borrfästet med en liten mängd fett (ca 0,5 - 1 g).

Smörjning av chucken ger smidig funktion och längre livslängd.

## Sätta i och ta ur borrbits

Rengör borrfästet och applicera fett innan det monteras.  
► **Fig.20:** 1. Skäftände 2. Fett

Sätt in borret i maskinen. Vrid borret och tryck in tills det låser fast.

Se efter montering av borret till att det sitter ordentligt fast genom att försöka dra ut det.

► **Fig.21:** 1. Borr


Ta ut borret genom att trycka ner chuckskyddet hela vägen och dra ut det.

► **Fig.22:** 1. Borr 2. Chuckhölje

## Mejselvinkel (vid huggmejsling, gradmejsling eller demolering)

Mejseln kan fästas i önskad vinkel. Rotera reglaget för byte av arbetsläge till symbolen O för att ändra mejselvinkeln. Vrid mejseln till önskad vinkel.

► **Fig.23:** 1. Spak för byte av arbetsläge

Vrid reglaget för byte av arbetsläge till symbolen . Se därefter till att mejseln hålls säkert på plats genom att vrida det något.

## Djupmått

Djupmättet är praktiskt för att borra hål med samma djup. Tryck och håll låsknappen och för sedan in djupmätaren i sexkantshålet. Se till att djupmätarens tandade sida är riktad mot markeringen.

► **Fig.24:** 1. Djupmått 2. Låsknapp 3. Markering 4. Tandad sida

Justera djupmätaren genom att flytta den fram och tillbaka medan du trycker in låsknappen. Efter justeringen släpper du låsknappen för att låsa djupmätaren.

**OBS:** Se till att djupmätaren inte vidrör maskinkroppen när du monterar den.

## Montera eller demontera dammuppsamlingssystemet

### Extra tillbehör

För att montera dammuppsamlarsystemet trycker du in maskinen hela vägen in i dammuppsamlarsystemet tills det klickar på plats.

► **Fig.25**

Dra i maskinen samtidigt som du trycker på upplåsningsknappen för att demontera dammuppsamlingssystemet.

► **Fig.26:** 1. Startspärr

## Dammuppsamlare

### Extra tillbehör

Använd dammuppsamlaren för att förhindra att damm faller över maskinen och dig själv när du borrar över huvudet. Sätt fast dammuppsamlaren enligt figuren. Följande borrorlekar kan användas med dammuppsamlaren.


Modell	Borrdiameter
Dammuppsamlare 5	6 mm - 14,5 mm
Dammuppsamlare 9	12 mm - 16 mm

► **Fig.27:** 1. Dammuppsamlare

## Dammuppsamlarsats

### Extra tillbehör

Ta bort borret från maskinen (om monterat) innan du monterar dammuppsamlarsatsen.

Montera dammuppsamlarsatsen (tillbehör) på maskinen så att symbolen  på dammuppsamlaren är i linje med spåret i maskinen.

► **Fig.28:** 1.  symbol 2. Spår

**OBS:** Om du ansluter en dammsugare till dammuppsamlarsatsen måste du förs ta bort dammlocket.

► **Fig.29:** 1. Dammlock

För att ta bort dammuppsamlarsatsen måste du först ta bort borret samtidigt som du drar chuckskyddet i pilens riktning.

► **Fig.30:** 1. Borr 2. Chuckhölje

Ta tag i dammuppsamlarens nederdel och dra ut den.

► **Fig.31**

**OBS:** Om locket lossar från dammuppsamlaren monteras det tillbaka med den tryckta sidan uppåt så att spåren i locket passar med tillbehöret.

► **Fig.32**

# ANVÄNDNING

**⚠ FÖRSIKTIGT:** Använd alltid sidohandtaget (extrahandtaget) och håll maskinen stadigt med både sidohandtaget och pistolhandtaget när du borrar.

**⚠ FÖRSIKTIGT:** Se alltid till att arbetsstycket sitter ordentligt fast innan användning.

**⚠ FÖRSIKTIGT:** Dra inte ut maskinen med kraft även om bitset fastnar. Om du förlorar kontrollen över maskinen kan det leda till personskador.

**⚠ FÖRSIKTIGT:** Dammuppsamlingsystemet är endast avsett för borring i betong. Använd inte dammuppsamlingsystemet vid borring i metall eller trä.

**⚠ FÖRSIKTIGT:** När du använder maskinen med dammuppsamlingsystemet måste du se till att montera filtret till dammuppsamlingsystemet för att förhindra att du andas in damm.

**⚠ FÖRSIKTIGT:** Innan du använder dammuppsamlingsystemet måste du kontrollera att filtret inte är skadat. I annat fall kan du andas in damm.

**⚠ FÖRSIKTIGT:** Dammuppsamlingsystemet samlar in det damm som skapas i stor utsträckning, men allt damm kan inte samlas in.

**OBSERVERA:** Använd inte dammuppsamlingsystemet vid borring med krona eller vid mejsling.


**OBSERVERA:** Använd inte dammuppsamlingsystemet vid borring i våt betong eller använd det i fuktiga miljöer. Detta kan leda till felfunktion.

**OBS:** Om batterikassetten används vid låga temperaturer kan inte maskinens fulla kapacitet uppnås. Om så är fallet, värm upp batterikassetten genom att använda maskinen en stund utan belastning för att erhålla maskinens fulla kapacitet.

► Fig.33

## Slagborring


**⚠ FÖRSIKTIGT:** Maskinen/borrbitset utsätts för en plötslig och oerhört stor vridande kraft vid hålgenomslaget, när hålet fylls av spån och partiklar eller när du slår ner förstärkningar i cement. **Använd alltid sidohandtaget (extrahandtaget) och håll maskinen stadigt med både sidohandtaget och pistolhandtaget när du borrar.** I annat fall är det lätt hänt att du förlorar kontrollen över maskinen, och allvarliga personskador kan då uppstå.

Ställ reglaget för byte av arbetsläge till symbolen . Placera borret där hålet ska vara och tryck sedan in avtryckaren. Tryck inte hårt med maskinen. Lätt tryck ger bäst resultat. Håll maskinen i läge och hindra den från att glida iväg från hålet.

Tryck inte hårdare när hålet fylls med spån eller partiklar. Kör istället maskinen på tomgång, och ta sedan delvis ut borret ur hålet. Genom att upprepa detta flera gånger rensas hålet och normal borring kan återupptas.

**OBS:** Ojämn rotation av borret kan förekomma om maskinen körs utan belastning. Maskinen centrerar sig automatiskt under arbetet. Detta påverkar inte borrhjulets noggrannhet.

## Huggmejsling/gradmejsling/demolering

Ställ reglaget för byte av arbetsläge till symbolen . Håll verktyget stadigt med båda händerna. Starta maskinen och håll fast den så att den inte studsar omkring okontrollerat.

Det är inte mer effektivt att trycka extremt hårt på verktyget.

► Fig.34

## Borring i trä eller metall

**⚠ FÖRSIKTIGT:** Håll ett stadigt tag i maskinen och var försiktig när borret börjar tränga igenom arbetsstycket. Det utvecklas en enorm kraft på maskinen/borret vid hålgenomslaget.

**⚠ FÖRSIKTIGT:** Ett borr som fastnat kan enkelt backas ur genom att reversera borrhjulets rotationsriktning. Maskinen kan dock plötsligt backa ut om du inte håller i den ordentligt.

**⚠ FÖRSIKTIGT:** Fäst alltid arbetsstycken i ett städ eller liknande fasthållningsanordningar.

**OBSERVERA:** Använd aldrig "slagborring" när den vanliga borrhjulet är monterad på maskinen. Borrhjulet kan skadas.

Den kommer också att lossna om maskinen körs i reverseringsläge.

**OBSERVERA:** Borringen går inte fortare för att du trycker hårdare på maskinen. Detta extra tryck skadar bara toppen på ditt borr, sänker maskinens prestanda och förkortar maskinens livslängd.

Ställ reglaget för byte av arbetsläge till symbolen .

## För HR001G/HR003G

### Extra tillbehör

Fäst chuckadaptern till en nyckellös borrhjulet i vilken en skruv med storlek 1/2"-20 kan monteras och montera dem därefter i maskinen. Se avsnittet "Montering eller demontering av borr" vid montering.

► Fig.35: 1. Nyckellös borrhjulet 2. Chuckadapter

## För HR002G/HR004G


Använd snabbchucken för borr som standardutrustning. För montering, se "Byte av snabbchuck för SDS-Plus". Håll i ringen och vrid hylsan moturs för att öppna spännbackarna. Skjut in borret i chocken så långt det går. Håll fast ringen ordentligt och vrid hylsan medurs för att dra åt chocken.

► Fig.36: 1. Hylsa 2. Ring

När du vill lossa biten, håll i ringen och vrid hylsan moturs.

## Borring med diamantkrona

**OBSERVERA:** Om borring med diamantkrona genomförs i funktionsläget "slagborring", kan borret med diamantkrona skadas.

Ställ alltid reglaget för byte av arbetsläge till läget  för att använda funktionen "endast borring" när borring med diamantkrona skall genomföras.

## Banka av damm från filtret

### Extra tillbehör

**⚠ FÖRSIKTIGT:** Vrid inte vredet på dammbehållaren medan dammbehållaren är borttagen från dammuppsamlingsystemet. Om du gör så kan du andas in damm.

**⚠ FÖRSIKTIGT:** Stäng alltid av verktyget när du vrider på dammbehållarens ratt. Om man vrider på ratten när verktyget körs kan resultera i förlust av kontroll över verktyget.

Genom att banka av dammet från filtret inne i dammhöljet kan du behålla sugeffektiviteten och även minska antalet gånger som damm måste kastas.

Vrid på ratten på dammhöljet tre gånger efter varje 50 000 mm<sup>3</sup> damm eller när du märker att sugprestandan försämrats.

**OBS:** 50 000 mm<sup>3</sup> damm motsvarar 10 hål på ø10 och 65 mm djup (14 hål på ø3/8" och 2" djup).

► Fig.37: 1. Dammhölje 2. Ratt

## Borttagning av damm

### Extra tillbehör

**⚠ FÖRSIKTIGT:** Se alltid till att maskinen är avstängd och batterikassetten borttagen innan du underhåller maskinen.

**⚠ FÖRSIKTIGT:** Se till att använda andningsmask när du slänger damm.

**⚠ FÖRSIKTIGT:** Töm dammbehållaren regelbundet innan den blir full. Om du inte gör det blir dammuppsamlarens prestanda sämre och leder till inhalation av damm.

**⚠ FÖRSIKTIGT:** Dammuppsamlarens prestanda blir sämre om filtret i dammbehållaren är igensatt. Byt som regel filter efter ungefär 200 dammuppsamlingscykler. I annat fall kan du andas in damm.

1. Ta bort dammbehållaren samtidigt som du trycker ner spaken på dammbehållaren.

► Fig.38: 1. Spär

2. Öppna locket på dammbehållaren.

► Fig.39: 1. Lock

3. Släng dammet och gör rent filtret.

► Fig.40

**OBSERVERA:** Knacka lätt på filterhuset med handen för att avlägsna damm när filtret görs rent. Knacka inte direkt på filtret, vidrör det inte med en borste eller liknande, eller blås på det med tryckluft. Att göra detta kan skada filtret.

## Gummituta

### Extra tillbehör

Efter att hålet borrats klart används gummitutan för att blåsa rent hålet.

► Fig.41

## Använda dammuppsamlarsatsen

### Extra tillbehör

Montera dammuppsamlarsatsen vänd mot taken när du använder maskinen.

► Fig.42

**OBSERVERA:** Använd inte dammuppsamlare vid borring i metall eller liknande. Det kan skada dammuppsamlaren p.g.a. den värme som alstras av små metallspån eller liknande.

**OBSERVERA:** Montera/demontera inte dammuppsamlaren med borret monterat i chucken. Det kan skada dammuppsamlarsatsen och leda till dammläckage.

## Ansluta repet (fästrem) på kroken

**⚠ Särskilda säkerhetsvarningar för användning på hög höjd**

Läs igenom alla säkerhetsvarningar och anvisningar. Om varningarna och anvisningarna inte följs kan det leda till allvariga personskador.

1. Ha alltid verktyget fastbundet när du arbetar på hög höjd. Max längd för repet är 2 m. Maximal tillåten fallhöjd för rep (fästrem) får inte överstiga 2 m.
2. Används endast med rep som är lämpliga för denna verktygstyp och klassade för minst 8,0 kg.
3. Fäst inte maskinrepet någonstans på kroppen eller på rörliga komponenter. Förankra maskinrepet i en stabil struktur som klarar kraften i ett fallande verktyg.
4. Se till att repet är ordentligt säkrat i båda ändarna före användning.
5. Inspektera verktyget och repet före varje användning för att kontrollera skador och korrekt funktion (inklusive tyg och sömmar). Använd det inte om det är skadat eller inte fungerar ordentligt.
6. Linda inte rep runt vassa eller grova kanter och låt dem inte komma i kontakt med dessa.
7. Fäst den andra änden på repet utanför arbetsområdet, så att ett fallande verktyg hålls säkert fast.
8. Fäst repet så att verktyget rör sig bort från operatören om den faller. Verktyg som ramlar gungar i repet, vilket kan orsaka skada eller förlorad balans.
9. Används inte nära rörliga delar eller maskineri som är igång. Det kan leda till risk för krosskador eller intrassling.
10. Bär inte verktyget i fästordningen eller i repet.

11. Flytta över verktyget mellan händerna endast när du har ordentlig balans.
12. Fäst inte rep vid verktyget på ett sådant sätt att knappar eller startspärren (om de finns) inte fungerar ordentligt.
13. Undvik att bli intrasslad i repet.
14. Håll repet borta från verktygets borrområde.
15. Använd en låsarkinbake (flerfunktions och skrutvtyp). Använd inte enkelfunktionskarbin-fästen med fjäderklämma.
16. Om verktyget tappas måste det märkas ut och tas ur bruk, och inspekteras av en Makita-fabrik eller auktoriserat servicecenter.

## FUNKTION FÖR TRÅDLÖS AKTIVERING

Extra tillbehör för HR001G/HR002G

### Vad du kan göra med funktionen för trådlös aktivering

Funktionen för trådlös aktivering möjliggör en ren och bekväm körning. Genom att ansluta en dammsugare som stöds till verktyget, kan du göra så att dammsugaren automatiskt körs samtidigt som du använder verktygets knappfunktion.

► Fig.43

Gör i ordning följande artiklar för att använda funktionen för trådlös aktivering:

- En trådlös enhet (valfritt tillbehör)
- En dammsugare som har stöd för funktionen för trådlös aktivering

Översikten över inställningen av funktionen för trådlös aktivering är följande. Se detaljerade rutiner i varje avsnitt.

1. Installera den trådlösa enheten
2. Verktygsregistrering för dammsugaren
3. Starta funktionen för trådlös aktivering

### Installera den trådlösa enheten

Valfria tillbehör

**⚠ FÖRSIKTIGT:** Placera verktyget på en platt och stabil yta när den trådlösa enheten installeras.

**OBSERVERA:** Rensa bort damm och smuts från verktyget innan den trådlösa enheten installeras. Damm eller smuts kan orsaka funktionsfel om det kommer in i skåran på den trådlösa enheten.

**OBSERVERA:** För att förebygga funktionsfel till följd av statisk laddning vidrör du ett statiskt urladdande material, t.ex. en metalldel på verktyget, innan du plockar upp den trådlösa enheten.

**OBSERVERA:** Se alltid till när du installerar den trådlösa enheten att den är insatt i rätt riktning och att locket är helt stängt.

1. Öppna locket på verktyget enligt figuren.

► Fig.44: 1. Lucka

2. Sätt in den trådlösa enheten i skåran och stäng sedan locket.

När du sätter in den trådlösa enheten, passa då in de utskjutande delarna med de insänkta delarna i skåran.

► Fig.45: 1. Trådlös enhet 2. Utskjutande del 3. Lucka 4. Insänkt del

Öppna locket långsamt när du tar bort den trådlösa enheten. Krokarna på lockets baksida lyfter den trådlösa enheten när du drar upp locket.

► Fig.46: 1. Trådlös enhet 2. Krok 3. Lucka

När den trådlösa enheten tagits bort, ha den då i det tillhörande fodralet eller en behållare med skydd mot statisk laddning.

**OBSERVERA:** Använd alltid krokarna på lockets baksida när du tar bort den trådlösa enheten. Om krokarna inte fångar upp den trådlösa enheten, stänger du locket helt och öppnar det långsamt igen.

### Verktygsregistrering för dammsugaren

**OBS:** För verktygsregistreringen krävs en Makita-dammsugare som har stöd för den trådlösa aktiveringsfunktionen.

**OBS:** Avsluta installationen av den trådlösa enheten till verktyget innan du inleder verktygsregistreringen.

**OBS:** Använd inte avtryckaren under verktygsregistreringen och vrid inte på strömbrytaren på dammsugaren.

**OBS:** Se också bruksanvisningen för dammsugaren.

Om du vill aktivera dammsugaren tillsammans med verktygets knappfunktion, ska du slutföra verktygsregistreringen i förväg.

1. Installera batterierna till dammsugaren och verktyget.
2. Sätt dammsugarens stand-by-omkopplare på "AUTO".

► Fig.47: 1. Stand-by-omkopplare

3. Tryck på knappen för trådlös aktivering på dammsugaren i 3 sekunder tills lampan för trådlös aktivering blinkar grönt. Tryck sedan på knappen för trådlös aktivering på verktyget på samma sätt.

► Fig.48: 1. Knapp för trådlös aktivering 2. Lampa för trådlös aktivering

Om dammsugaren och verktyget har kopplats ihop ordentligt, kommer lamporna för trådlös aktivering att lysa grönt i 2 sekunder och börja blinka i blått.

**OBS:** Lamporna för trådlös aktivering slutar blinka grönt efter att 20 sekunder har gått. Tryck på knappen för trådlös aktivering på maskinen när lampan för trådlös aktivering på dammsugaren blinkar. Om lampan för trådlös aktivering inte blinkar grönt, trycker du kort på knappen för trådlös aktivering och håller in den igen.

**OBS:** När du utför två eller flera verktygsregistreringar för en dammsugare avslutar du verktygsregistreringarna en och en.

## Starta funktionen för trådlös aktivering

**OBS:** Avsluta verktygsregistreringen för dammsugaren före den trådlösa aktiveringen.

**OBS:** Se också bruksanvisningen för dammsugaren.

Efter att ett verktyg registrerats till dammsugaren kommer den att köras automatiskt tillsammans med verktygets knappfunktion.

1. Installera den trådlösa enheten till verktyget.
2. Anslut dammsugarslangens till verktyget.  
► **Fig.49**
3. Sätt dammsugarens stand-by-omkopplare på "AUTO".  
► **Fig.50:** 1. Stand-by-omkopplare
4. Tryck kort på knappen för trådlös aktivering på verktyget. Lampan för trådlös aktivering blinkar blått.  
► **Fig.51:** 1. Knapp för trådlös aktivering 2. Lampan för trådlös aktivering

5. Tryck på verktygets avtryckare. Kontrollera om dammsugaren är igång medan avtryckaren är intryckt.

För att stoppa den trådlösa aktiveringen av dammsugaren trycker du på knappen för trådlös aktivering på verktyget.

**OBS:** Lampan för trådlös aktivering på verktyget slutar blinka blått när ingen användning har skett på 2 timmar. Sätt i så fall standby-omkopplaren på dammsugaren på "AUTO" och tryck igen på knappen för trådlös aktivering på verktyget.

**OBS:** Dammsugaren startar/stannar med en fördröjning. Det blir en tidsfördröjning när dammsugaren känner av en knappfunktion från verktyget.










**OBS:** Sändningsavståndet till den trådlösa enheten kan variera beroende på plats och omständigheter i omgivningen.

**OBS:** När två eller flera verktyg är registrerade till en dammsugare, kan dammsugaren gå igång även om du inte trycker på avtryckaren eftersom en annan användare använder funktionen för trådlös aktivering.

## Beskrivning av status för lampan för trådlös aktivering

- **Fig.52:** 1. Lampan för trådlös aktivering

Lampan för trådlös aktivering visar status för den trådlösa aktiveringsfunktionen. Se innebörden av lampans status i tabellen nedan.

Status	Lampa för trådlös aktivering				Beskrivning
	Färg	 På	 Blinkar	Varaktighetstid	
Standby	Blå			2 timmar	Den trådlösa aktiveringen av dammsugaren är tillgänglig. Lampan släcks automatiskt när ingen användning har ägt rum på 2 timmar.
				När verktyget är igång.	Den trådlösa aktiveringen av dammsugaren är tillgänglig och verktyget är igång.
Verktygsregistrering	Grön			20 sekunder	Redo för verktygsregistrering. Väntar på registrering från dammsugaren.
				2 sekunder	Verktygsregistreringen har avslutats. Lampan för trådlös aktivering börjar blinka blått.
Upphåver verktygsregistrering	Röd			20 sekunder	Redo för att upphäva verktygsregistreringen. Väntar på upphävande från dammsugaren.
				2 sekunder	Upphävandet av verktygsregistreringen har avslutats. Lampan för trådlös aktivering börjar blinka blått.
Övriga	Röd			3 sekunder	Ström tillförs till den trådlösa enheten och funktionen för trådlös aktivering startar.
	Av	-		-	Den trådlösa aktiveringen av dammsugaren stoppas.

## Upphåver verktygsregistrering för dammsugaren

Utför följande rutin vid upphävande av verktygsregistreringen för dammsugaren.

1. Installera batterierna till dammsugaren och verktyget.
2. Sätt dammsugarens stand-by-omkopplare på "AUTO".  
► **Fig.53:** 1. Stand-by-omkopplare
3. Tryck på knappen för trådlös aktivering på dammsugaren i 6 sekunder. Lampan för trådlös aktivering blinkar grönt och blir sedan röd. Tryck sedan på knappen för trådlös aktivering på verktyget på samma sätt.  
► **Fig.54:** 1. Knapp för trådlös aktivering 2. Lampan för trådlös aktivering

Om upphävandet har utförts ordentligt, kommer lamporna för trådlös aktivering att lysa rött i 2 sekunder och börja blinka i blått.

**OBS:** Lamporna för trådlös aktivering slutar blinka rött efter att 20 sekunder har gått. Tryck på knappen för trådlös aktivering på maskinen när lampan för trådlös aktivering på dammsugaren blinkar. Om lampan för trådlös aktivering inte blinkar rött, trycker du kort på knappen för trådlös aktivering och håller in den igen.

## Felsökning för funktionen för trådlös aktivering

Innan du ber om reparation ska du först utföra en egen kontroll. Om du hittar ett problem som inte finns förklarat i bruksanvisningen ska du inte försöka att ta isär maskinen. Fråga istället ett auktoriserad servicecenter för Makita, och använd alltid reservdelar från Makita för reparationer.

Feltillstånd	Trolig orsak (felsfunktion)	Åtgärd
Lampan för trådlös aktivering lyser/ blinkar inte.	Den trådlösa enheten är inte installerad till verktyget. Den trådlösa enheten är felaktigt installerad till verktyget.	Installera den trådlösa enheten korrekt.
	Den trådlösa enhetens kontakt och/eller skåran är smutsig.	Torka försiktigt av damm och smuts på den trådlösa enhetens kontakt och rengör skåran.
	Knappen för trådlös aktivering på verktyget har inte tryckts.	Tryck kort på knappen för trådlös aktivering på verktyget.
	Stand-by-omkopplaren på dammsugaren är inte satt på "AUTO".	Sätt dammsugarens stand-by-omkopplare på "AUTO".
	Ingen strömtillförsel	Koppla in ström till verktyget och dammsugaren.
Kan inte avsluta verktygsregistrering/upphäva verktygsregistrering.	Den trådlösa enheten är inte installerad till verktyget. Den trådlösa enheten är felaktigt installerad till verktyget.	Installera den trådlösa enheten korrekt.
	Den trådlösa enhetens kontakt och/eller skåran är smutsig.	Torka försiktigt av damm och smuts på den trådlösa enhetens kontakt och rengör skåran.
	Stand-by-omkopplaren på dammsugaren är inte satt på "AUTO".	Sätt dammsugarens stand-by-omkopplare på "AUTO".
	Ingen strömtillförsel	Koppla in ström till verktyget och dammsugaren.
	Felaktig funktion	Tryck kort på knappen för trådlös aktivering och utför rutinerna för verktygsregistrering-/upphävande igen.
	Verktyget och dammsugaren är åtskilda från varandra (utanför sändningsområdet).	Se till att verktyget och dammsugaren hamnar närmare varandra. Det maximala sändningsavståndet är ca 10 m, men det kan variera beroende på omständigheterna.
	Innan verktygsregistreringen-/upphävandet avslutas: - tryck på avtryckaren på verktyget, - sätt på strömknappen på dammsugaren.	Tryck kort på knappen för trådlös aktivering och utför rutinerna för verktygsregistrering-/upphävande igen.
	Verktygsregistreringsrutinerna för verktyget eller dammsugaren har inte slutförts.	Utför verktygsregistreringsrutinerna för både verktyget och dammsugaren på samma gång.
	Radiostörningar från andra apparater som skapar högintensiva radiovågor.	Håll verktyget och dammsugaren borta från apparater som WiFi-enheter och mikrovågsugnar.
	Dammsugaren är inte igång samtidigt som verktygets knappfunktion.	Den trådlösa enheten är inte installerad till verktyget. Den trådlösa enheten är felaktigt installerad till verktyget.
Den trådlösa enhetens kontakt och/eller skåran är smutsig.		Torka försiktigt av damm och smuts på den trådlösa enhetens kontakt och rengör skåran.
Knappen för trådlös aktivering på verktyget har inte tryckts.		Tryck kort på knappen för trådlös aktivering och försäkra dig om att lampan för trådlös aktivering blinkar blått.
Stand-by-omkopplaren på dammsugaren är inte satt på "AUTO".		Sätt dammsugarens stand-by-omkopplare på "AUTO".
Fler än 10 verktyg är registrerade till dammsugaren.		Utför verktygsregistreringen igen. Om fler än 10 verktyg är registrerade till dammsugaren, blir det verktyg som registrerades tidigast automatiskt upphävt.
Dammsugaren har raderat alla verktygsregistreringar.		Utför verktygsregistreringen igen.
Ingen strömtillförsel		Koppla in ström till verktyget och dammsugaren.
Verktyget och dammsugaren är åtskilda från varandra (utanför sändningsområdet).		Se till att verktyget och dammsugaren hamnar närmare varandra. Det maximala sändningsavståndet är ca 10 m, men det kan variera beroende på omständigheterna.
Radiostörningar från andra apparater som skapar högintensiva radiovågor.		Håll verktyget och dammsugaren borta från apparater som WiFi-enheter och mikrovågsugnar.
Dammsugaren är igång fastän verktygets avtryckare inte är intryckt.		Andra användare använder den trådlösa aktiveringen av dammsugaren med sina verktyg.

# UNDERHÅLL

**⚠ FÖRSIKTIGT:** Se alltid till att maskinen är avstängd och batterikassetten borttagen innan inspektion eller underhåll utförs.

**OBSERVERA:** Använd inte bensin, förtunningsmedel, alkohol eller liknande. Missfärgning, deformation eller sprickor kan uppstå.

För att upprätthålla produktens SÄKERHET och TILLFÖRLITLIGHET bör allt underhålls- och justeringsarbete utföras av ett auktoriserat Makita servicecenter och med reservdelar från Makita.

## Byta filter i dammbehållaren

### Extra tillbehör

1. Ta bort dammbehållaren samtidigt som du trycker ner spaken på dammbehållaren.  
► **Fig.55:** 1. Spår
2. Sätt i en skruvmejsel med platt huvud i öppningen i filterhöljet för att ta bort filterlocket.  
► **Fig.56:** 1. Skruvmejsel med platt huvud 2. Filterlock
3. Ta bort filtret från filterhöljet.  
► **Fig.57:** 1. Filter 2. Filterhölje
4. Fäst ett nytt filter till filterhöljet och fäst sedan filterlocket.
5. Stäng dammbehållarens hölje och fäst det sedan i dammuppsamlarsystemet.

## Byta ut tätningslocket

### Extra tillbehör

Om tätningslocket är utslitet minskar dammuppsamlarens prestanda. Byt ut det om det är slitet. Ta bort tätningslocket och sätt dit ett nytt med den utskjutande delen vänd uppåt.  
► **Fig.58:** 1. Utskjutande del 2. Tätningslock

# VALFRIA TILLBEHÖR

**⚠ FÖRSIKTIGT:** Följande tillbehör eller tillsatser rekommenderas för användning med den Makita-maskin som denna bruksanvisning avser. Om andra tillbehör eller tillsatser används kan det uppstå risk för personskador. Använd endast tillbehören eller tillsatserna för de syften de är avsedda för.

Kontakta ditt lokala Makita servicecenter om du behöver ytterligare information om dessa tillbehör.

- Borr med karbidspets (SDS-Plus-borr med karbidspets)
- Borrkrona
- Spetsmejsel
- Borr med diamanatkrona
- Kallmejsel
- Gradmejsel
- Spårmejsel

- Chuckadapter
- Nyckellös borrchuck
- Smörjfett för borr
- Djupmått
- Gummituta
- Dammuppsamlare
- Dammuppsamlarsats
- Kroksats
- Dammhöljessats
- Borrchucksats
- Filtersats
- Verktygshållarsats
- Adaptertillsats
- Dammuppsamlarsystem
- Trådlös enhet
- Makitas originalbatteri och -laddare
- Skyddsglasögon
- Förvaringsväska av plast

**OBS:** Några av tillbehören i listan kan vara inkluderade i maskinpaketet som standardtillbehör. De kan variera mellan olika länder.



## TEKNISKE DATA

Modell:		HR001G	HR002G	HR003G	HR004G
Kapasitet	Betong	28 mm			
	Kjernebor	54 mm			
	Diamantkjernebor (tørr type)	65 mm			
	Stål	13 mm			
	Tre	32 mm			
Hastighet uten belastning		0 – 980 min <sup>-1</sup>			
Slag per minutt		0 – 5 000 min <sup>-1</sup>			
Merkespenning		DC 36 V – 40 V maks.			
Total lengde	med BL4025	358 mm	389 mm	358 mm	389 mm
	med BL4040	373 mm	404 mm	373 mm	404 mm
Nettovekt		3,9 – 4,6 kg	4,1 – 4,6 kg	3,9 – 4,6 kg	4,0 – 4,5 kg

### Valgfritt tilbehør

Modell:	DX12 (For HR001G/HR003G)	DX14 (For HR002G/HR004G)
Innsugingsytelse	350 l/min	
Driftslag	Opptil 190 mm	
Egnet bor	Opptil 260 mm	
Merkespenning	DC 36 V – 40 V maks.	
Nettovekt	1,6 kg	

- På grunn av vårt kontinuerlige forsknings- og utviklingsprogram kan spesifikasjonene som oppgis i dette dokumentet endres uten varsel.
- Spesifikasjonene kan variere fra land til land.
- Vekten kan variere avhengig av tilbehøret/tilbehørene, inkludert batteriet. Den letteste og tyngste kombinasjonen, i henhold til EPTA-prosedyre 01/2014, vises i tabellen.

### Passende batteri og lader

Batteriinnsett	BL4025 / BL4040
Lader	DC40RA

- Noen av batteriene og laderne som er opplistet ovenfor er kanskje ikke tilgjengelige, avhengig av hvor du bor.

**⚠ ADVARSEL: Bruk kun de batteriene og laderne som er opplistet ovenfor.** Bruk av andre batterier og ladere kan føre til personskader og/eller brann.

### Riktig bruk

Verktøyet er beregnet på hammerboring og boring i mur, betong og stein, samt for meiselarbeid. Det er også egnet for boring uten slag i tre, metall, keramikk og plast.

### Støy

Typisk A-vektet lydtrykknivå er bestemt i henhold til EN60745-2-6:

#### Modell HR001G

Lydtrykknivå ( $L_{pA}$ ): 95 dB (A)  
Lydeffektnivå ( $L_{WA}$ ): 106 dB (A)  
Usikkerhet (K): 3 dB (A)

#### Modell HR002G

Lydtrykknivå ( $L_{pA}$ ): 93 dB (A)  
Lydeffektnivå ( $L_{WA}$ ): 104 dB (A)  
Usikkerhet (K): 3 dB (A)

#### Modell HR003G

Lydtrykknivå ( $L_{pA}$ ): 95 dB (A)  
Lydeffektnivå ( $L_{WA}$ ): 106 dB (A)  
Usikkerhet (K): 3 dB (A)

#### Modell HR004G

Lydtrykknivå ( $L_{pA}$ ): 93 dB (A)  
Lydeffektnivå ( $L_{WA}$ ): 104 dB (A)  
Usikkerhet (K): 3 dB (A)

#### Modell HR001G med DX12

Lydtrykknivå ( $L_{pA}$ ): 93 dB (A)  
Lydeffektnivå ( $L_{WA}$ ): 104 dB (A)  
Usikkerhet (K): 3 dB (A)

#### Modell HR002G med DX14

Lydtrykknivå ( $L_{pA}$ ): 93 dB (A)  
Lydeffektnivå ( $L_{WA}$ ): 104 dB (A)  
Usikkerhet (K): 3 dB (A)



### Modell HR003G med DX12

Lydtrykknivå ( $L_{pA}$ ): 93 dB (A)  
Lydeffektnivå ( $L_{WA}$ ): 104 dB (A)  
Usikkerhet (K): 3 dB (A)

### Modell HR004G med DX14

Lydtrykknivå ( $L_{pA}$ ): 93 dB (A)  
Lydeffektnivå ( $L_{WA}$ ): 104 dB (A)  
Usikkerhet (K): 3 dB (A)

**MERK:** Den/de oppgitte verdien(e) for genererte vibrasjoner har blitt målt i henhold til standard testmetoder, og kan bli brukt til å sammenligne ett verktøy med et annet.

**MERK:** Den/de angitte verdien(e) for de genererte vibrasjonene kan også brukes til en foreløpig vurdering av eksponeringen.

**⚠ ADVARSEL:** Bruk hørselsvern.

**⚠ ADVARSEL:** De genererte vibrasjonene ved faktisk bruk av elektroverktøyet kan avvike fra den/de angitte vibrasjonsverdien(e), avhengig av hvordan verktøyet brukes.

**⚠ ADVARSEL:** Sørg for å identifisere vernetiltak for å beskytte operatøren, som er basert på et estimat av eksponeringen under de faktiske bruksforholdene (idet det tas hensyn til alle deler av driftssyklusen, dvs. hvor lenge verktøyet er slått av, hvor lenge det går på tomgang og hvor lenge startbryteren faktisk holdes trykket).

## Vibrasjoner

Den følgende tabellen viser den totale vibrasjonsverdien (triaksial vektorsum) bestemt i henhold til gjeldende standard.

### Modell HR001G

Arbeidsmodus	Avgitt vibrasjon	Usikkerhet (K)	Gjeldende standard
Slagboring i betong ( $a_{h, HD}$ )	7,0 m/s <sup>2</sup>	1,5 m/s <sup>2</sup>	EN60745-2-6
Slagboring i betong med DX12 ( $a_{h, HD}$ )	7,0 m/s <sup>2</sup>	1,5 m/s <sup>2</sup>	EN60745-2-6
Meiselfunksjon med støttehåndtak ( $a_{h, Cheq}$ )	6,5 m/s <sup>2</sup>	1,5 m/s <sup>2</sup>	EN60745-2-6
Bore inn i metall ( $a_{h, D}$ )	2,5 m/s <sup>2</sup> eller mindre	1,5 m/s <sup>2</sup>	EN60745-2-1

### Modell HR002G

Arbeidsmodus	Avgitt vibrasjon	Usikkerhet (K)	Gjeldende standard
Slagboring i betong ( $a_{h, HD}$ )	6,5 m/s <sup>2</sup>	1,5 m/s <sup>2</sup>	EN60745-2-6
Slagboring i betong med DX14 ( $a_{h, HD}$ )	6,0 m/s <sup>2</sup>	1,5 m/s <sup>2</sup>	EN60745-2-6
Meiselfunksjon med støttehåndtak ( $a_{h, Cheq}$ )	7,5 m/s <sup>2</sup>	1,5 m/s <sup>2</sup>	EN60745-2-6
Bore inn i metall ( $a_{h, D}$ )	2,5 m/s <sup>2</sup>	1,5 m/s <sup>2</sup>	EN60745-2-1

### Modell HR003G

Arbeidsmodus	Avgitt vibrasjon	Usikkerhet (K)	Gjeldende standard
Slagboring i betong ( $a_{h, HD}$ )	7,0 m/s <sup>2</sup>	1,5 m/s <sup>2</sup>	EN60745-2-6
Slagboring i betong med DX12 ( $a_{h, HD}$ )	7,0 m/s <sup>2</sup>	1,5 m/s <sup>2</sup>	EN60745-2-6
Meiselfunksjon med støttehåndtak ( $a_{h, Cheq}$ )	7,0 m/s <sup>2</sup>	1,5 m/s <sup>2</sup>	EN60745-2-6
Bore inn i metall ( $a_{h, D}$ )	2,5 m/s <sup>2</sup> eller mindre	1,5 m/s <sup>2</sup>	EN60745-2-1

### Modell HR004G

Arbeidsmodus	Avgitt vibrasjon	Usikkerhet (K)	Gjeldende standard
Slagboring i betong ( $a_{h, HD}$ )	6,5 m/s <sup>2</sup>	1,5 m/s <sup>2</sup>	EN60745-2-6
Slagboring i betong med DX14 ( $a_{h, HD}$ )	6,0 m/s <sup>2</sup>	1,5 m/s <sup>2</sup>	EN60745-2-6
Meiselfunksjon med støttehåndtak ( $a_{h, Cheq}$ )	7,5 m/s <sup>2</sup>	1,5 m/s <sup>2</sup>	EN60745-2-6
Bore inn i metall ( $a_{h, D}$ )	2,5 m/s <sup>2</sup>	1,5 m/s <sup>2</sup>	EN60745-2-1

**MERK:** Den/de oppgitte verdien(e) for totalt genererte vibrasjoner har blitt målt i henhold til standard testmetoder, og kan bli brukt til å sammenligne ett verktøy med et annet.

**MERK:** Den/de angitte verdien(e) for totalt genererte vibrasjoner kan også brukes til en foreløpig vurdering av eksponeringen.

**⚠ ADVARSEL:** De genererte vibrasjonene ved faktisk bruk av elektroverktøyet kan avvike fra den/de angitte vibrasjonsverdien(e), avhengig av hvordan verktøyet brukes og spesielt i forhold til arbeidsstykket som blir behandlet.

**⚠ ADVARSEL:** Sørg for å identifisere vernetiltak for å beskytte operatøren, som er basert på et estimat av eksponeringen under de faktiske bruksforholdene (idet det tas hensyn til alle deler av driftssyklusen, dvs. hvor lenge verktøyet er slått av, hvor lenge det går på tomgang og hvor lenge startbryteren faktisk holdes trykket).

## EFs samsvarserklæring

### Gjelder kun for land i Europa

EFs samsvarserklæring er lagt til som vedlegg A i denne bruksanvisningen.

# SIKKERHETSADVARSEL

## Generelle advarsler angående sikkerhet for elektroverktøy

**⚠ADVARSEL:** Les alle sikkerhetsadvarsler, instruksjoner, illustrasjoner og spesifikasjoner som følger med dette elektroverktøyet. Hvis ikke alle instruksjonene nedenfor følges, kan det forekomme elektrisk støt, brann og/eller alvorlig skade.

## Oppbevar alle advarsler og instruksjoner for senere bruk.

Uttrykket «elektrisk verktøy» i advarslene refererer både til elektriske verktøy (med ledning) tilkoblet strømmettet, og batteridrevne verktøy (uten ledning).

## SIKKERHETSADVARSLER FOR BATTERIDREVT BORHAMMER

1. **Bruk hørselsvern.** Støy kan føre til nedsatt hørsel.
2. **Bruk hjelpehåndtak, hvis det (de) følger med maskinen.** Hvis maskinen kommer ut av kontroll, kan det resultere i helseskader.
3. **Hold elektroverktøyet i de isolerte gripeflatene når kutteutstyret kan komme i kontakt med skjulte ledninger under arbeidet.** Hvis kutteutstyret kommer i kontakt med "strømførende" ledninger, kan uisolerte metalldele i elektroverktøyet bli "strømførende" og potensielt gi brukeren elektrisk støt.
4. **Bruk hjelm, vernebriller og/eller ansiktsmaske.** Vanlige briller og solbriller er IKKE vernebriller. Det anbefales også på det sterkeste å bruke støvmaske og kraftig polstrede hansker.
5. **Vær sikker på at boret er skikkelig festet før du starter verktøyet.**
6. **Verktøyet er laget slik at det vil vibrere under vanlig bruk.** Skruene kan lett løsne, noe som kan forårsake et verktøysammenbrudd eller en ulykke. Før bruk må du derfor kontrollere grundig at skruene ikke er løse.
7. **I kaldt vær, eller når verktøyet ikke har vært i bruk på lenge, må du varme opp verktøyet ved å la det gå en stund uten belastning.** Dette vil myke opp smøremiddelet. Hvis verktøyet ikke er skikkelig oppvarmet, vil det være vanskelig å bruke hammeren.
8. **Pass på at du har godt fotfeste.** Forviss deg om at ingen står under deg når du jobber høyt over bakken.
9. **Hold maskinen godt fast med begge hender.**
10. **Hold hendene unna bevegelige deler.**
11. **Ikke gå fra verktøyet mens det er i gang.** Verktøyet må bare brukes mens operatøren holder det i hendene.
12. **Ikke rett verktøyet mot personer i nærheten mens det er i bruk.** Boret kan fly ut og skade noen alvorlig.

13. **Ikke berør boret eller meiselen, eller deler i nærheten av boret eller meiselen, eller arbeidsstykket, umiddelbart etter at verktøyet har vært i bruk, da disse kan være ekstremt varme og kan gi brannskader.**
14. **Enkelte materialer inneholder kjemikalier som kan være giftige.** Treff tiltak for å hindre hudkontakt og innånding av støv. Følg leverandørens sikkerhetsanvisninger.
15. **Forsikre deg om at verktøyet er slått av og at batteriet og boret er tatt ut før du overlater verktøyet til en annen person.**
16. **Før bruk må du kontrollere at ikke gjenstander som elektriske rør, vannrør eller gassrør er gravd ned i arbeidsområdet.** Boret/meiselen kan komme i kontakt med den og føre til elektrisk støt, elektrisk lekkasje eller gasslekkasje.

## TA VARE PÅ DISSE INSTRUKSENE.

**⚠ADVARSEL:** IKKE LA hensynet til hva som er "behagelig" eller det faktum at du kjenner produktet godt (etter mange gangers bruk) gjøre deg mindre oppmerksom på sikkerhetsreglene for bruken av det aktuelle produktet. Ved MISBRUK eller hvis ikke sikkerhetsreglene i denne bruksanvisningen følges, kan det oppstå alvorlig personskade.

## Viktige sikkerhetsanvisninger for batteriinnsetts

1. **Før du begynner å bruke batteriet, må du lese alle anvisninger og forsiktighetsregler på (1) batteriladeren, (2) batteriet og (3) det produktet batteriet skal brukes i.**
2. **Ikke demonter eller tukle batteriet.** Det kan føre til brann, overoppheting eller eksplosjon.
3. **Hvis driftstiden er blitt vesentlig kortere, må du omgående slutte å bruke maskinen.** Hvis ikke kan resultatet bli overoppheting, mulige forbrenninger eller til og med en eksplosjon.
4. **Hvis du får elektrolytt i øynene, må du skylle dem med store mengder rennende vann og oppsøke lege med én gang.** Denne typen uhell kan føre til varig blindhet.
5. **Ikke kortslett batteriet:**
  - (1) De kan være ekstremt varme og du kan brenne deg.
  - (2) Ikke lagre batteriet i samme beholder som andre metallgjenstander, som for eksempel spiker, mynter osv.
  - (3) Ikke la batteriet komme i kontakt med vann eller regn.

En kortslutning av batteriet kan føre til et kraftig strømslutt, overoppheting, mulige forbrenninger og til og med til at batteriet går i stykker.
6. **Ikke lagre maskinen og batteriet på steder hvor temperaturen kan komme opp i eller overskride 50 °C.**
7. **Ikke sett fyr på batteriet, ikke engang om det er sterkt skadet eller helt utslitt.** Batteriet kan eksplodere hvis det begynner å brenne.

8. **Du må ikke spikre, skjære, klemme, kaste eller miste batteriet, og heller ikke slå en hard gjenstand mot batteriet.** En slik oppførsel kan føre til brann, overoppheting eller eksplosjon.
9. **Ikke bruk batterier som er skadet.**
10. **Lithium-ion-batteriene som medfølger er gjenstand for krav om spesialavfall.** For kommersiell transport, f.eks av tredjeparter eller speidører, må spesielle krav om pakking og merking følges. Før varen blir sendt, må du forhøre deg med en ekspert på farlig materiale. Ta også hensyn til muligheten for mer detaljerte nasjonale bestemmelser. Bruk teip eller maskeringsteip for å skjule åpne kontakter og pakk inn batteriet på en slik måte at den ikke kan bevege seg rundt i emballasjen.
11. **Når du kasserer batteriinnsetningen, må du ta den ut av verktøyet og avhende den på et sikkert sted. Følg lokale bestemmelser for avhending av batterier.**
12. **Bruk batteriene kun med produkter spesifisert av Makita.** Monterer batteriene i produkter som ikke er konforme kan føre til brann, overheting eller elektrolyttlekkasje.
13. **Hvis verktøyet ikke skal brukes over en lengre periode, må batteriet tas ut av verktøyet.**
14. **Under og etter bruk kan batteriet bli varmt og før til brannskader. Vær forsiktig med håndteringen av varme batterier.**
15. **Ikke berører terminalen på verktøyet rett etter bruk, da den kan bli varm og forårsake brannskader.**
16. **Ikke la spon, støv eller jord sette seg fast i terminalene, hullene og sporene i batteriet.** Det kan føre til dårlig ytelse eller at verktøyet eller batteriet slutter å fungere.
17. **Med mindre verktøyet støtter bruk nær en høyspent strømlinje, skal ikke batteriet brukes nær en høyspent strømlinje.** Det kan føre til en funksjonsfeil eller at verktøyet eller batteriet slutter å fungere.

## TA VARE PÅ DISSE INSTRUKSENE.

**⚠️ FORSIKTIG:** Bruk kun originale Makita-batterier. Bruk av batterier som har endret seg, eller som ikke er originale Makita-batterier, kan føre til at batteriet sprekker og forårsaker brann, personskader og andre skader. Det vil også ugyldiggjøre garantien for Makita-verktøyet og -laderen.

## Tips for å opprettholde maksimal batterilevetid

1. **Lad batteriinnsetningen før den er helt utladet.** Stopp alltid driften av verktøyet og lad batteriinnsetningen når du merker at effekten reduseres.
2. **Lad aldri en batteriinnsetning som er fulladet.** Overopplading forkorter batteriets levetid.
3. **Lad batteriet i romtemperatur ved 10 °C - 40 °C.** Et varmt batteri må kjøles ned før lading.
4. **Når batteriet ikke er bruk, skal det tas ut av verktøyet eller laderen.**
5. **Lad batteriet hvis det ikke har vært brukt på en lang stund (over seks måneder).**

## Viktige sikkerhetsanvisninger for trådløs enhet

1. **Du må ikke demontere eller tukle med den trådløse enheten.**
2. **Hold den trådløse enheten unna små barn.** Hvis enheten ved et uhell svelges, skal lege kontaktes umiddelbart.
3. **Den trådløse enheten skal kun brukes med Makita-verktøy.**
4. **Ikke utsett den trådløse enheten for regn eller fuktighet.**
5. **Ikke bruk den trådløse enheten på steder der temperaturen overskrider 50 °C.**
6. **Ikke bruk den trådløse enheten på steder der medisinsk utstyr, som pacemakere, er i nærheten.**
7. **Ikke bruk den trådløse enheten på steder der automatiserte enheter er i nærheten.** Hvis automatisert enheter tas i bruk, kan det oppstå en funksjonssvikt eller feil.
8. **Ikke bruk den trådløse enheten på steder med høye temperaturer eller der det kan genereres statisk elektrisitet eller elektrisk støy.**
9. **Den trådløse enheten kan skape elektromagnetiske felt (EMF), men de er ikke skadelige for brukeren.**
10. **Den trådløse enheten er presisjonsinstrument.** Vær forsiktig så du ikke mister eller utsetter den trådløse enheten for slag.
11. **Unngå å berøre den trådløse enhetens tilkoblingspunkt med ubeskyttede hender eller metallmaterialer.**
12. **Du må alltid ta batteriet ut av produktet når du skal installere den trådløse enheten.**
13. **Når du skal åpne sporets lokk, må du unngå steder der støv og vann kan trenge inn i sporet.** Du må alltid sørge for at sporets innløp er rent.
14. **Sett alltid den trådløse enheten inn i riktig retning.**
15. **Ikke trykk for hardt på trådløse aktiveringsknappen på den trådløse enheten, og trykk heller ikke på knappen med en gjenstand med skarp kant.**
16. **Du må alltid lukke sporets lokk under bruk.**
17. **Ikke fjern den trådløse enheten fra sporet mens verktøyet forsynes med strøm.** Det kan føre til en funksjonsfeil i den trådløse enheten.
18. **Ikke fjern klebmerket på den trådløse enheten.**
19. **Ikke sett klebmerker på den trådløse enheten.**
20. **Ikke etterlat den trådløse enheten på et sted der det kan genereres statisk elektrisitet eller elektrisk støy.**
21. **Ikke etterlat den trådløse enheten på et sted der den kan utsettes for mye varme, som i en bil som er parkert i solen.**
22. **Ikke etterlat den trådløse enheten på et sted med mye støv eller pulver, eller på et sted der det kan genereres korroderende gass.**
23. **En plutselig temperaturendring kan få den trådløse enheten til å dugge.** Ikke bruk den trådløse enheten før duggen har tørket helt bort.

24. Når du rengjør den trådløse enheten, tørker du forsiktig av den med en tørr, myk klut. Ikke bruk bensin, tynner, ledende fett eller lignende.
25. Når den trådløse enheten skal lagres, oppbevares den i esken som følger med eller en beholder som ikke er statisk.
26. Ikke sett andre enheter med Makitas trådløse enhet inn i sporet på verktøyet.
27. Ikke bruk verktøyet hvis sporets lokk er skadet. Vann, støv om smuss som trenger inn i sporet kan føre til funksjonsfeil.
28. Ikke dra i og/eller vri sporets lokk mer enn nødvendig. Sett lokket tilbake på plass hvis det løsner fra verktøyet.
29. Erstatt sporets lokk hvis det går tapt eller blir skadet.

## TA VARE PÅ DISSE INSTRUKSENE.

## FUNKSJONSBSKRIVELSE

**⚠ FORSIKTIG:** Forviss deg alltid om at maskinen er slått av og batteriet tatt ut før du justerer maskinen eller kontrollerer dens mekaniske funksjoner.

### Sette inn eller ta ut batteri

**⚠ FORSIKTIG:** Slå alltid av verktøyet før du setter inn eller fjerner batteriet.

**⚠ FORSIKTIG:** Hold verktøyet og batteripatronen i et fast grep når du monterer eller fjerner batteripatronen. Hvis du ikke holder verktøyet og batteripatronen godt fast, kan du miste grepet, og dette kan føre til skader på verktøyet og batteripatronen samt personskader.

► **Fig.1:** 1. Rød indikator 2. Knapp 3. Batteriinnsetts

For å ta ut batteriet må du skyve på knappen foran på batteriet og trekke det ut.

Når du skal sette inn batteriet, må du plassere tungen på batteriet på linje med sporet i huset og skyve batteriet på plass. Skyv det helt inn til det går i inngrep med et lite klikk. Hvis du kan se den røde anviseren på oversiden av knappen, er det ikke fullstendig låst.

**⚠ FORSIKTIG:** Batteriet må alltid settes helt inn, så langt at den røde anviseren ikke lenger er synlig. Hvis dette ikke gjøres, kan batteriet komme til å falle ut av maskinen og skade deg eller andre som oppholder seg i nærheten.

**⚠ FORSIKTIG:** Ikke bruk makt når du setter i batteriet. Hvis batteriet ikke glir lett inn, er det fordi det ikke settes inn på riktig måte.

## Indikere gjenværende batterikapasitet

Trykk på sjekk-knappen på batteriet for vise gjenværende batterikapasitet. Indikatorlampene lyser i et par sekunder.

► **Fig.2:** 1. Indikatorlamper 2. Kontrollknapp

Indikatorlamper			Gjenværende batterinivå
Tent	Av	Blinker	
■ ■ ■ ■			75 % til 100 %
■ ■ ■ □			50 % til 75 %
■ ■ □ □			25 % til 50 %
■ □ □ □			0 % til 25 %
▬ □ □ □			Lad batteriet.
■ ■ □ □			Batteriet kan ha en feil.
□ □ ■ ■			

**MERK:** Det angitte nivået kan avvike noe fra den faktiske kapasiteten alt etter bruksforholdene og den omgivende temperaturen.

## Batterivernsystem for verktøy/batteri

Verktøyet er utstyrt med et batterivernsystem for verktøy/batteri. Dette systemet kutter automatisk strømmen til motoren for å forlenge verktøyet og batteriets levetid. Verktøyet stopper automatisk under drift hvis verktøyet eller batteriet utsettes for en av følgende tilstander:

### Overlastsikring

Når batteriet brukes på en måte som gjør at det bruker normalt mye strøm, vil verktøyet stoppe, helt automatisk og uten forvarsel. I dette tilfellet må du slå av verktøyet og avslutte bruken som forårsaket at verktøyet ble overbelastet. Slå deretter verktøyet på for å starte det igjen.

### Overopphetingsvern

Når verktøyet eller batteriet blir overopphetet, stanser verktøyet automatisk. I dette tilfellet lar du verktøyet og batteriet avkjøles før du starter verktøyet på nytt.

**MERK:** Lampen blinker når verktøyet er overopphetet.

### Overutladingsvern

Når det blir batterikapasiteten er utilstrekkelig, stopper verktøyet automatisk. I så fall fjerner du batteriet fra verktøyet og lader det.

## Bryterfunksjon

**⚠ ADVARSEL:** Før du setter batteriet inn i maskinen, må du alltid kontrollere at startbryteren aktiverer maskinen på riktig måte og går tilbake til «AV»-stilling når den slippes.

► Fig.3: 1. Startbryter

Trykk på startbryteren for å starte verktøyet. Verktøyet starter trykkes hardere på startbryteren. Slipp bryteren for å stanse verktøyet.

## Hastighetsendring

Omdreininger og slag per minutt kan justeres med justeringshjulet. Hjulet er merket fra 1 (laveste hastighet) til 5 (full hastighet).

► Fig.4: 1. Justeringshjul

I tabellen under kan du se forholdet mellom tallet på justeringshjulet og omdreininger og slag per minutt.

Tall	Omdreininger per minutt	Slag per minutt
5	980	5 000
4	870	4 440
3	630	3 210
2	380	1 940
1	300	1 530

**⚠ FORSIKTIG:** Ikke dreie justeringshjulet raskt mens verktøyet er i drift. Det kan føre til at du mister kontrollen over verktøyet og forårsaker personskade.

**OBS:** Hvis maskinen brukes lenge og kontinuerlig på lav hastighet, vil motoren bli overbelastet og slutte å virke som den skal.

**OBS:** Hastighetsjusteringshjulet kan kun dreies til 5 og så tilbake til 1. Ikke prøv å dreie det forbi 5 eller 1, da det kan føre til at hastighetsinnstillingsfunksjonen slutter å virke.

**MERK:** Myk rotasjon uten belastning (For HR001G/HR002G)

Når hastighetsjusteringshjulet er stilt på "4" eller høyere, reduserer verktøyet automatisk hastigheten til tomgang for å redusere vibrasjoner under tomgang. Når verktøyet begynner å bruke boret mot betong, øker antall slag per minutt og når tallene som vises i tabellen. Når temperaturen er lav og smørefettet mer tykflytende, kan det hende at verktøyet ikke har denne funksjonen selv om motoren svinger.

## Tenne frontlampe

► Fig.5: 1. Lampe

**⚠ FORSIKTIG:** Ikke se inn i lyset eller se direkte på lyskilden.

Trykk inn startbryteren for å tenne lampen. Lampen fortsetter å lyse så lenge startbryteren holdes inne. Lampen slukkes omtrent 10 sekunder etter at startbryteren er sluppet.

**⚠ FORSIKTIG:** For HR001G/HR002G

Hvis lampen slukker etter at den har blinket i noen sekunder, virker ikke den aktive tilbakeslagføleende teknologien som den skal. Be nærmeste Makita-serviceverksted om å reparere den.

**MERK:** Bruk en tørr klut til å tørke støv osv. av lampelinsen. Vær forsiktig så det ikke blir riper i lampelinsen, da dette kan redusere lysstyrken.

**MERK:** Hvis støvoppsamlingsystemet er installert på verktøyet, tennes lampen på støvoppsamlingsstyret i stedet for lampen på verktøyet.

## Reverseringsfunksjon

► Fig.6: 1. Reverseringsspak

**⚠ FORSIKTIG:** Før arbeidet begynner, må du alltid kontrollere rotasjonsretningen.

**⚠ FORSIKTIG:** Bruk reversbryteren bare etter at verktøyet har stoppet helt. Hvis du endrer rotasjonsretningen før verktøyet har stoppet, kan det bli ødelagt.

**⚠ FORSIKTIG:** Når du ikke skal bruke maskinen lenger, må du alltid sette reversbryteren i nøytral stilling.

Dette verktøyet har en reversbryter som kan brukes til å endre rotasjonsretningen. Trykk inn reversbryteren fra «A»-siden for å velge rotasjon med klokken, eller fra «B»-siden for å velge rotasjon mot klokken. Når reversbryteren er i nøytral stilling, kan ikke startbryteren trykkes inn.



## Skifte hurtigskiftskjoksen for SDS-pluss

### For HR002G/HR004G

Hurtigskiftskjoksen for SDS-pluss kan enkelt skiftes ut med hurtigskiftsborekjoksen.




### Fjerne hurtigskiftskjoksen for SDS-pluss

**⚠ FORSIKTIG:** Før du fjerner hurtigskiftskjoksen for SDS-pluss, må du alltid fjerne boret.

Ta tak i endringsdekslet på hurtigskiftskjoksen for SDS-pluss, og dreie i pilens retning til endringsdeksellinjen flyttes fra -symbol til -symbolet. Dra hardt i pilens retning.

► Fig.7: 1. Hurtigskiftskjoks for SDS-pluss  
2. Endringsdeksel 3. Endringsdeksellinje

### Montere hurtigskiftsborekjoksen

Kontroller at linjen på hurtigskiftsborekjoksen viser -symbolet. Ta tak i endringsdekslet på hurtigskiftskjoksen, og sett linjen på -symbolet. Sett hurtigskiftsborekjoksen på verktøyet spindel. Ta tak i endringsdekslet på hurtigskiftskjoksen, og dreie endringsdeksellinjen til -symbolet til du hører et klikk.


► Fig.8: 1. Hurtigskiftsborekjoks 2. Spindel  
3. Endringsdeksellinje 4. Endringsdeksel

## Velge en funksjon

**OBS:** Ikke drei på funksjonsvelgeren mens verktøyet sviver. Verktøyet blir ødelagt.


**OBS:** For å unngå hurtig slitasje av funksjonsvelgermekanismen, må du passe på at funksjonsvelgeren alltid er plassert skikkelig i én av de tre funksjonsposisjonene.

## Rotasjon med hammerboring

Når du skal bore i betong, mur osv., må du dreie funksjonsvelgeren til den peker på -symbolet. Bruk et bor med wolframkarbidspiss (valgfritt tilbehør).


► **Fig.9:** 1. Rotasjon med hammerboring  
2. Funksjonsvelger

## Bare rotasjon

Når du skal bore i tre, metall eller plastmaterialer, må du dreie funksjonsvelgeren til den peker på -symbolet. Bruk et spiralbor eller trebor.

► **Fig.10:** 1. Bare rotasjon

## Bare hammerboring

Når du skal meisle, pikke eller brette, må du dreie funksjonsvelgeren til den peker på -symbolet. Bruk en spissmeisel, flatmeisel, bredmeisel, osv.

► **Fig.11:** 1. Bare hammerboring

## Krok

**⚠FORSIKTIG:** Ta alltid ut batteriet når verktøyet henges opp på kroken.

**⚠FORSIKTIG:** Verktøyet må aldri henges på kroken høyt over bakken eller på en potensielt ustabil overflate.

Kroken er praktisk å henge verktøyet på over kortere tid. Når du skal bruke kroken, trenger du bare løfte den opp til den åpner seg. Når kroken ikke skal brukes på en stund, må du alltid senke den så den lukker seg.

► **Fig.12:** 1. Bøyle

► **Fig.13**

## Påsetting av fangsnor (sikkerhetsstropp) på kroken

**⚠FORSIKTIG:** Ikke bruk krok eller skruer som er skadet. Før bruk må du alltid kontrollere at det ikke er skader, sprekker eller deformasjoner og at skruene er strammet.

**⚠FORSIKTIG:** Kontroller at kroken er festet godt med skruene.

**⚠FORSIKTIG:** Ikke ta batteriet ut av verktøyet mens det henger. Verktøyet kan falle ned hvis skruene ikke er strammet.

**⚠FORSIKTIG:** Bruk alltid en låsende karabinkrok (fleraksjons karabinkrok med skrulås), og sørg for å feste fangsnoren (sikkerhetsstroppen) til delen av kroken med dobbelt løkke. Hvis du fester utstyret feil, kan det føre til at verktøyet faller ned fra kroken og forårsaker personskaade.

Kroken brukes også for tilkobling av fangsnoren (sikkerhetsstroppen). Sørg for å feste fangsnoren (sikkerhetsstroppen) til delen av kroken med dobbelt løkke.

► **Fig.14:** 1. Del av kroken med dobbelt løkke 2. Fangsnor (sikkerhetsstropp) 3. Låsende karabinkrok (fleraksjons karabinkrok med skrulås)

## Justering av dyseposisjonen til støvoppsamlingsystemet

### Valgfritt tilbehør

Skyv inn føringen samtidig som du trykker på føringjusteringsknappen, og deretter slipper du knappen i ønsket stilling.

► **Fig.15:** 1. Føring 2. Føringjusteringsknapp

**MERK:** Før du justerer dyseposisjonen, slipper du dysen helt frem ved å trykke på føringjusteringsknappen.

Hvis det er satt inn et langt bor, forlenges føreren ved å skyve forlengelsesknappen oppover.

► **Fig.16:** 1. Forlengelsesknapp

## Justering av boreddyden til støvoppsamlingsystemet

### Valgfritt tilbehør

Skyv dybdejusteringsknappen til ønsket stilling samtidig som du skyver den opp. Avstanden (A) er boreddyden.

► **Fig.17:** 1. Dybdejusteringsknapp

## Momentbegrenser

**OBS:** Så snart momentbegrenseren aktiveres, må du umiddelbart slå av verktøyet. Dette vil hjelpe deg til å unngå at verktøyet blir for tidlig slitt.

**OBS:** Bor, som f.eks. en stikksag, som har en tendens til å bli klemt eller sette seg fast i hullet, passer ikke for dette verktøyet. Det kommer av at momentbegrenseren da vil aktiveres for ofte.

Momentbegrenseren aktiveres når et bestemt momentnivå blir nådd. Motoren vil da frikobles fra utgående aksel. Når dette skjer, vil boret slutte å rotere.

## Elektronisk funksjon

Maskinen er utstyrt med de elektroniske funksjonen for å gjøre den enkel å bruke.

- Konstant hastighetskontroll  
Hastighetskontrollfunksjonen sørger for konstant rotasjonshastighet uavhengig av belastningsforhold.
- Aktiv tilbakeslagfølede teknologi (For HR001G/HR002G)  
Hvis verktøyet roterer med den forhåndsstilte akselerasjonen under drift, tvinges motoren til å stanse for å redusere belastningen på håndledet.

**MERK:** Denne funksjonen virker ikke hvis akselerasjonen ikke når den forhåndsinnstilte innstillingen når verktøyet er i bruk.

**MERK:** Hvis biten roterer med den forhåndsstilte akselerasjonen ved kvisting, filing eller nedrivning, tvinges motoren til å stanse for å redusere belastningen på håndledet. I så fall må du slippe startbryteren, trekke i bryteren for å starte verktøyet på nytt.



# MONTERING

**⚠️ FORSIKTIG:** Forviss deg alltid om at maskinen er slått av og batteriet tatt ut før du utfører noe arbeid på maskinen.

## Støttehåndtak (hjelpelandtak)

**⚠️ FORSIKTIG:** Bruk alltid støttehåndtaket for å bruke verktøyet på en sikker måte.

**⚠️ FORSIKTIG:** Når du har montert eller justert støttehåndtaket, må du passe på at støttehåndtaket sitter godt fast.

Følg trinnene nedenfor for å montere støttehåndtaket.

1. Løsne fingerskruen på støttehåndtaket.  
▶ **Fig.18:** 1. Fingerskrue
2. Fest støttehåndtaket mens fingerskruen presses slik at sporene på håndtaket passer inn i fremspringene på verktøysylindren.  
▶ **Fig.19:** 1. Fingerskrue
3. Stram fingerskruen for å sikre støttehåndtaket. Håndtaket kan festes i ønsket vinkel.

## Smørefett

Smør den innerste delen av endeskafet på boret med litt fett (ca. 0,5 - 1 g).

Denne kjokssmøringen sikrer jevn rotasjon og lengre levetid.

## Montere eller fjerne boret

Rengjør den innerste delen av endeskafet på boret, og påfør fett før du monterer boret.

▶ **Fig.20:** 1. Endeskafet 2. Smørefett

Sett inn boret i verktøyet. Vri og skyv på boret inntil det sitter.

Etter montering av boret må du alltid forsikre deg om at boret sitter som det skal ved å prøve å dra det ut.

▶ **Fig.21:** 1. Bor

Ta ut boret ved å trekke kjoksekslet helt ned og dra ut boret.

▶ **Fig.22:** 1. Bor 2. Kjokseksel

## Meiselvinkel (ved meisling, pikking eller brekking)

Meiselen kan festes i ønsket vinkel. For å endre meiselvinkelen må du dreie funksjonsvelgeren til den peker på O-symbolet. Drei meiselen til ønsket vinkel.

▶ **Fig.23:** 1. Funksjonsvelger

Drei funksjonsvelgeren til den peker på T-symbolet. Deretter må du dreie meiselen litt for å forvise deg om at den sitter godt.

## Dybde måler

Dybde måleren er praktisk for boring av flere hull med samme dybde.

Trykk på og hold inne sperreknappen, og sett deretter dybde måleren inn i det sekskantede hullet. Kontroller den taggete siden på dybde måleren vender mot merket.

▶ **Fig.24:** 1. Dybde måler 2. Sperreknapp 3. Merke 4. Tagget side

Juster dybde måleren ved å flytte den fram og tilbake mens du holder inne sperreknappen. Etter justeringen slipper du sperreknappen for å låse dybde måleren.

**MERK:** Pass på at dybde måleren ikke berører verktøyets hoveddel når du fester den.

## Montere eller fjerne støvsamlersystemet

### Valgfritt tilbehør

For å montere støvoppsamlingssystemet, settes verktøyet helt inn i støvoppsamlingssystemet til det låses på plass med et lite dobbeltklikk.

▶ **Fig.25**

Når du vil fjerne støvsamlersystemet, drar du i verktøyet samtidig som du trykker på AV-sperreknappen.

▶ **Fig.26:** 1. AV-sperreknapp

## Støvkopp

### Valgfritt tilbehør

Bruk støvkoppen for å unngå støv på verktøyet og deg selv når du borer med verktøyet over hodet. Fest støvkoppen til boret som vist i figuren. Støvkoppen kan festes til følgende borstørrelser:

Modell	Bordiameter
Støvkopp 5	6 mm - 14,5 mm
Støvkopp 9	12 mm - 16 mm

▶ **Fig.27:** 1. Støvkopp

## Støvkoppsett

### Valgfritt tilbehør

Før du monterer støvbeholdersettet må du fjerne boret fra verktøyet hvis det står i.

Monter støvkoppsettet på verktøyet slik at  $\Delta$ -symbolet på støvkoppen innrettes med sporet i verktøyet.

▶ **Fig.28:** 1.  $\Delta$ -symbol 2. Spor

**MERK:** Hvis du kobler en støvsuger til støvkoppsettet, må du ta av støvdekslet før du kobler den til.

▶ **Fig.29:** 1. Støvdeksel

Når du vil fjerne støvkoppsettet, fjerner du boret samtidig som du drar kjoksekslet i pilens retning.

▶ **Fig.30:** 1. Bor 2. Kjokseksel

Ta tak i foten på støvkoppen, og dra den ut.

▶ **Fig.31**

**MERK:** Hvis dekslet løsner fra støvkoppen, fester du det med den trykte siden vendt oppover slik at sporet på dekslet passer med innsiden av tilbehøret.

▶ **Fig.32**

## BRUK

**⚠FORSIKTIG:** Bruk alltid støttehåndtaket (hjelpehåndtaket), og hold maskinen støtt med både støttehåndtak og hovedhåndtak når du bruker den.

**⚠FORSIKTIG:** Sørg alltid for at arbeidsstykket sitter godt fast før du går i gang.

**⚠FORSIKTIG:** Ikke dra verktøyet ut med makt, selv om boret setter seg fast. Tap av kontroll kan føre til personskade.

**⚠FORSIKTIG:** Støvsamlersystemet er kun beregnet på boring i betong. Ikke bruk støvsamlersystemet når du borer i metall eller tre.

**⚠FORSIKTIG:** Når du bruker verktøyet med støvsamlersystemet, må du passe på å feste filteret på støvsamlersystemet for å forebygge innånding av støv.

**⚠FORSIKTIG:** Før du bruker støvsamlersystemet, må du kontrollere at filteret ikke er skadet. Hvis ikke, kan det føre til innånding av støv.

**⚠FORSIKTIG:** Støvsamlersystemet samler opp det genererte støvet svært raskt, men det klarer ikke å samle opp alt støv.

**OBS:** Ikke bruk støvsamlersystemet til kjerneboring eller meisling.


**OBS:** Ikke bruk støvsamlersystemet når du skal bore i våt betong, og det skal heller ikke brukes i våte miljøer. Det kan føre til at støvsamlersystemet slutter å fungere som det skal.

**MERK:** Hvis batteriet er kaldt, kan det hende at verktøyet ikke yter som det skal. Da må du varme opp batteriet ved å bruke verktøyet uten belastning en stund slik at verktøyet etter hvert yter som det skal.

► Fig.33

## Slagborfunksjon


**⚠FORSIKTIG:** Verktøyet/boret utsettes for voldsomme og plutselige vridninger i det øyeblikket det bores hull, når hullet fylles opp av biter og partikler, eller når du treffer armeringsjernet i betongen. **Bruk alltid støttehåndtaket (hjelpehåndtaket), og hold maskinen støtt med både støttehåndtak og hovedhåndtak når du bruker den.** Hvis du ikke gjør det, kan du miste kontrollen og potensielt risikere alvorlige skader.

Still funksjonsvelgeren på -symbolet. Plasser boret der du vil bore hullet, og trykk så på startbryteren. Ikke bruk makt. Lett trykk gir de beste resultatene. Hold verktøyet i riktig posisjon, og sørg for at det ikke glir bort fra hullet.

Ikke legg mer press på verktøyet når hullet fylles av biter eller partikler. La i stedet verktøyet gå på tomgang, og trekk deretter boret delvis ut av hullet. Ved å gjenta dette flere ganger, vil hullet rengjøres, og normal boring kan gjenopptas.

**MERK:** Hvis verktøyet brukes uten belastning, kan det forekomme kast i borrotasjonen. Under bruk senterer verktøyet seg automatisk. Dette påvirker ikke borenyaktigheten.

## Meisling/avskalling/nedrivning

Still funksjonsvelgeren på -symbolet. Hold verktøyet godt fast med begge hender. Slå på verktøyet, og legg trykk på det slik at det ikke beveger seg ukontrollert. Hvis du trykker for hardt, blir verktøyet mindre effektivt. ► Fig.34

## Boring i treverk eller metall

**⚠FORSIKTIG:** Hold verktøyet i et fast grep, og vær forsiktig når skrutrekkerboret begynner å bryte gjennom arbeidsstykket. I gjennombruddsøyeblikket virker det en enorm kraft på verktøyet/skrutrekkerboret.

**⚠FORSIKTIG:** Et skrutrekkerbor som sitter fast kan fjernes hvis du setter reversbryteren til motsatt rotasjonsretning, så verktøyet kan bakke ut. Verktøyet kan imidlertid komme brått ut hvis du ikke holder det i et fast grep.

**⚠FORSIKTIG:** Arbeidsstykker må alltid festes med en skrustikke eller en liknende festeanordning.

**OBS:** "Rotasjon med hammerboring" må ikke brukes når borekjoksen er montert på verktøyet. Borekjoksen kan bli ødelagt. I tillegg løser borekjoksen når verktøyet reverseres.

**OBS:** Hvis du bruker for mye kraft på verktøyet, vil det ikke øke borehastigheten. Overdreven bruk av kraft vil tvert imot kunne bidra til å ødelegge spisen av skrutrekkerboret, redusere verktøyeffekten og forkorte verktøyet levetid.

Sett funksjonsvelgeren på -symbolet.

## For HR001G/HR003G

### Valgfritt tilbehør

Koble kjoksadapteren til en nøkkelfri borekjoks som skrues med en størrelse på 1/2"-20 kan festes til, og monter dem deretter på verktøyet. Når du monterer den, se delen "Montere eller fjerne boret".

► Fig.35: 1. Nøkkelfri borekjoks 2. Kjoksadapter

## For HR002G/HR004G

Bruk hurtigskiftsborekjoksen som standardutstyr. Når du monterer den, se "Skifte hurtigskiftsborekjoksen for SDS-plus".

Hold ringen, og drei hylsen mot klokken for å åpne kjevene på kjoksen. Sett boret så langt inn i kjoksen som mulig. Hold ringen godt fast, og drei hylsen med klokken for å stramme kjoksen.


► Fig.36: 1. Hylse 2. Ring

Du kan fjerne boret ved å holde i ringen og dreie hylsen mot klokken.



## Diamantkjerneboring

**OBS:** Hvis du foretar diamantkjerneboring med funksjonen "rotasjon med hammerboring", kan diamantkjerneboret bli skadet.

Ved diamantkjerneboring må du alltid sette funksjonsvelgeren i -posisjonen for å bruke "bare rotasjon"-funksjonen.

## Banke ut støv av filteret

### Valgfritt tilbehør

**⚠FORSIKTIG:** Ikke dreie hjulet på støvboksen mens den tas av støvsamlingssystemet. Hvis dette gjøres, kan det føre til innånding av støv.

**⚠FORSIKTIG:** Når innstillingshjulet på støvboksen dreies må verktøyet være skrudd av. Hvis du dreier hjulet mens verktøyet er i gang, kan du miste kontrollen over verktøyet.

Ved å banke ut støvet av filteret inne i støvboksen, kan du holde effektiviteten til vakuumpet oppe og samtidig redusere antallet ganger du trenger å tømme støvet. Drei hjulet på støvboksen tre ganger hver gang du har samlet 50 000 mm<sup>3</sup> med støv eller når du føler at vakuumpet er redusert.

**MERK:** 50 000 mm<sup>3</sup> tilsvarer å bore 10 hull med  $\varnothing$ 10 mm og en dybde på 65 mm (14 hull med  $\varnothing$  3/8" og 2" dybde).

► Fig.37: 1. Støvboks 2. Innstillingshjul

## Avhending av støv

### Valgfritt tilbehør

**⚠FORSIKTIG:** Forviss deg alltid om at maskinen er slått av og batteriet tatt ut før du utfører noe arbeid på maskinen.

**⚠FORSIKTIG:** Bruk en støvmaske når du avhender støv.

**⚠FORSIKTIG:** Tøm støvbeholderen jevnlig før den blir helt full. Hvis ikke, kan støvsamlerens ytelse svekkes og føre til innånding av støv.

**⚠FORSIKTIG:** Støvsamlerens ytelse stopper opp hvis filteret i støvbeholderen blir tilstoppet. Gjør det til en vane å erstatte filteret med et nytt etter ca. 200 driftstimer. Hvis ikke, kan det føre til innånding av støv.

1. Ta ut støvbeholderen mens du trykker ned hendelen på støvbeholderen.

► Fig.38: 1. Hendel

2. Åpne dekselet på støvbeholderen.

► Fig.39: 1. Deksel

3. Avhend støvet, og rengjør filteret.

► Fig.40

**OBS:** Når du skal rengjøre filteret, dunker du filterhuset forsiktig med hånden for å fjerne støv. Ikke slå direkte på filteret. Berør filteret med en kost eller lignende, eller blås trykkluft på filteret. Hvis ikke, kan filteret bli skadet.

## Utblåsningsballong

### Valgfritt tilbehør

Etter at du har boret et hull, må du bruke utblåsningsballongen til å fjerne støv fra hullet.

► Fig.41

## Bruke støvkoppsettet

### Valgfritt tilbehør

Monter støvkoppsettet mot taket når du bruker verktøyet.

► Fig.42

**OBS:** Ikke bruk verktøyet med støvkoppsettet når du borer i metall eller lignende. Det kan skade støvkoppsettet på grunn av varmen som metallstøvet eller lignende avgir.

**OBS:** Ikke monter eller fjern støvkoppsettet mens boret står i verktøyet. Det kan skade støvkoppsettet og føre til støvlekkasje.

## Påsetting av fangsnor (sikkerhetsstropp) på kroken

**⚠Spesielle sikkerhetsadvarsler for bruk i høyden**  
Les alle sikkerhetsadvarslene og instruksjonene.

Hvis advarsler og instruksjoner ikke følges, kan det føre til alvorlig personskade.

1. Fest alltid verktøyet i en sikkerhetsstropp når du arbeider "i høyden". Maksimal fangsnorlengde er 2 m. Maksimal tillatt fallhøyde for fangsnor (sikkerhetsstropp) må ikke overskride 2 m.
2. Må bare brukes med fangsnorer som egner seg for denne typen verktøy og som er merket for minst 8,0 kg.
3. Fangsnoren for verktøyet må ikke forankres til noe på kroppen din eller til bevegelige komponenter. Fangsnoren for verktøyet må forankres til en stiv konstruksjon som kan motstå kreftene hvis verktøyet faller ned.
4. Pass på at fangsnoren er skikkelig sikret i begge ender før bruken.
5. Kontroller at fangsnoren for verktøyet ikke er skadd og fungerer riktig før hver bruk (inkludert stoff og sømmer). Ikke bruk den hvis den er skadd eller ikke fungerer som den skal.
6. Ikke surr fangsnorer rundt, eller la dem komme i kontakt med, skarpe kanter.
7. Fest den andre enden av fangsnoren utenfor arbeidsområdet slik at verktøyet holdes sikkert hvis det faller ned.
8. Fest fangsnoren slik at verktøyet vil bevege seg bort fra brukeren hvis det faller ned. Verktøy som faller ned vil svinge i fangsnoren, og kan føre til personskader eller til at du mister balansen.
9. Ikke bruk den nær bevegelige deler eller maskiner som er i gang. Hvis du gjør det, kan det føre til en innklemming eller at den vikler seg fast.
10. Ikke bær verktøyet i festeinnretningen eller fangsnoren.

11. Du må kun overføre vektøyet fra én hånd til den andre hvis du er i god balanse.
12. Ikke fest fangsnoren til verktøyet på en måte som kan hindre brytere eller AV-sperrer fra (hvis dette følger med) å virke som de skal.
13. Unngå å vikle deg inn i fangsnoren.
14. Hold fangsnoren unna verktøyets boreområde.
15. Bruk en låsende karabinkrok (fleraksjons karabinkrok med skrulås). Ikke bruk enkelaksjons karabinkroker med fjærlukking.
16. Hvis verktøyet skulle falle ned, må det merkes og tas ut av bruk, og det bør kontrolleres av en Makita-fabrikk eller et autorisert servicesenter.

## TRÅDLØSAKTIVERINGSFUNKSJON

Valgfritt tilbehør for HR001G/HR002G

### Hva du kan gjøre med trådløsaaktiveringsfunksjonen

Trådløsaaktiveringsfunksjonen muliggjør ren og behagelig bruk. Hvis du kobler en støttet støvsuger til verktøyet, kan du bruke støvsugeren automatisk sammen med verktøyets bryterfunksjon.

► Fig.43

Hvis du vil bruke trådløsaaktiveringsfunksjonen, må du klargjøre følgende elementer:

- En trådløs enhet (valgfritt tilbehør)
- En støvsuger som støtter trådløsaaktiveringsfunksjonen

Oversikten over innstillingen for trådløsaaktiveringsfunksjonen er som følger. Du finner detaljerte fremgangsmåter i hver enkelt del.

1. Installere den trådløse enheten
2. Verktøyregistrering for støvsugeren
3. Starte trådløsaaktiveringsfunksjonen

### Installere den trådløse enheten

Valgfritt tilbehør

**⚠FORSIKTIG:** Plasser verktøyet på et flatt og stabilt underlag når du skal installere den trådløse enheten.

**OBS:** Fjern støv og smuss på verktøyet før du installerer den trådløse enheten. Støv eller smuss kan føre til funksjonsfeil hvis det trenger inn i den trådløse enhetens spor.

**OBS:** For å unngå funksjonsfeil som følge av statisk elektrisitet, berører du et statisk utladningsmateriale, som en av verktøyets metalldele, før du tar i den trådløse enheten.

**OBS:** Når du installerer den trådløse enheten, må du passe på at den trådløse enheten settes inn i riktig rettet og at lokket lukkes helt igjen.

1. Åpne logget på verktøyet som vist i figuren.

► Fig.44: 1. Løkk

2. Sett den trådløse enheten inn i sporet, og lukk lokket.

Når du setter inn den trådløse enheten, innretter du fremspringene med de utsparte delene på sporet.

► Fig.45: 1. Trådløs enhet 2. Fremspring 3. Løkk 4. Utspart del

Når du fjerner den trådløse enheten, må du åpne lokket sakte. Krokene på baksiden av lokket vil løfte den trådløse enheten når du drar i lokket.

► Fig.46: 1. Trådløs enhet 2. Krok 3. Løkk

Etter at du har fjernet den trådløse enheten, oppbevarer den i esken som følger med eller en beholder som ikke er statisk.

**OBS:** Du må alltid bruke krokene på baksiden av lokket når du fjerner den trådløse enheten. Hvis krokene ikke hekter seg fast i den trådløse enheten, lukker du lokket helt og åpner det sakte på nytt.

### Verktøyregistrering for støvsugeren

**MERK:** En Makita-støvsuger som støtter trådløsaaktiveringsfunksjonen er nødvendig for verktøyregistrering.

**MERK:** Fullfør installasjonen av den trådløse enheten i verktøyet før du starter verktøyregistreringen.

**MERK:** Du må ikke dra i startbryteren eller slå på strømbryteren på støvsugeren under verktøyregistrering.

**MERK:** Les i tillegg brukerveiledningen for støvsugeren.

Hvis du ønsker å aktivere støvsugeren sammen med verktøyets bryterfunksjon, må du fullføre verktøyregistreringen på forhånd.

1. Sett batteriene i støvsugeren og verktøyet.
2. Still ventebryteren på støvsugeren på "AUTO".

► Fig.47: 1. Ventebryter

3. Trykk på trådløsaaktiveringsknappen på støvsugeren i 3 sekunder til trådløsaaktiveringslampen blinker grønt. Deretter trykker du på trådløsaaktiveringsknappen på verktøyet på samme måte.

► Fig.48: 1. Trådløsaaktiveringsknapp 2. Trådløsaaktiveringslampe

Hvis koblingen av støvsugeren og verktøyet lykkes, vil trådløsaaktiveringslampene lyse grønt i 2 sekunder og begynner å blinke blått.

**MERK:** Trådløsaaktiveringslampene slutter å blinke grønt når det har gått 20 sekunder. Trykk på trådløsaaktiveringsfunksjonen på verktøyet mens trådløsaaktiveringslampen på støvsugeren blinker. Hvis trådløsaaktiveringslampen ikke blinker grønt, trykker du på trådløsaaktiveringsknappen et kort øyeblikk og holder den inne igjen.

**MERK:** Når du utfører to eller flere verktøyregistreringer for en støvsuger, fullfører du verktøyregistreringen en etter en.

## Starte trådløsaktiveringsfunksjonen

**MERK:** Fullfør verktøyregistreringen for støvsugeren før trådløsaktiveringen.

**MERK:** Les i tillegg brukerveiledningen for støvsugeren.

Etter at et verktøy er registrert til støvsugeren, vil støvsugeren automatisk svive sammen med verktøyet bryterfunksjon.

1. Installer den trådløse enheten i verktøyet.
2. Koble støvsugerens slange til verktøyet.  
▶ **Fig.49**
3. Still ventebryteren på støvsugeren på "AUTO".  
▶ **Fig.50:** 1. Ventebryter
4. Trykk et kort øyeblikk på trådløsaktiveringsknappen på verktøyet. Trådløsaktiveringslampen vil blinke blått.  
▶ **Fig.51:** 1. Trådløsaktiveringsknapp  
2. Trådløsaktiveringslampe

5. Dra i verktøyet startbryter. Kontroller om støvsugeren sviver mens du drar i startbryteren.

Hvis du vil stanse støvsugerens trådløsaktivering, trykker du på trådløsaktiveringsknappen på verktøyet.

**MERK:** Trådløsaktiveringslampen på verktøyet vil slutte å blinke blått når verktøyet ikke har blitt brukt på 2 timer. Da setter du i tilfelle ventebryteren på støvsugeren på "AUTO" og trykker på trådløsaktiveringsknappen på verktøyet igjen.

**MERK:** Støvsugeren starter/stopper med en forsinkelse. Det er en tidsforsinkelse når støvsugeren oppdater at en bryter på verktøyet er trykket på.

**MERK:** Det trådløse enhetens overføringsavstand kan variere avhengig av sted og omgivelsesforhold.

**MERK:** Når to eller flere verktøy er registrert til én støvsuger, kan det hende at støvsugeren begynner å svive selv om du ikke drar i startbryteren, fordi en annen bruker trådløsaktiveringsfunksjonen.

## Beskrivelse av trådløsaktiveringslampens status

- ▶ **Fig.52:** 1. Trådløsaktiveringslampe

Trådløsaktiveringslampen viser statusen til trådløsaktiveringsfunksjonen. Du finner informasjon om lampestatusens betydning i tabellen nedenfor.

Status	Trådløsaktiveringslampe			Beskrivelse	
	Farge	<input type="checkbox"/> På	<input type="checkbox"/> Blinker		
Ventemodus	Blå	<input checked="" type="checkbox"/>		2 timer	Trådløsaktivering av støvsugeren er tilgjengelig. Lampen vil slå seg av når verktøyet ikke har blitt brukt på 2 timer.
		<input type="checkbox"/>		Når verktøyet sviver.	Trådløsaktivering av støvsugeren er tilgjengelig, og verktøyet sviver.
Verktøyregistrering	Grønn	<input checked="" type="checkbox"/>		20 sekunder	Klar for verktøyregistrering. Venter på registrering av støvsugeren.
		<input type="checkbox"/>		2 sekunder	Verktøyregistreringen er fullført. Trådløsaktiveringslampen vil begynne å blinke blått.
Avbryte verktøyregistrering	Rød	<input checked="" type="checkbox"/>		20 sekunder	Klar for å avbryte verktøyregistrering. Venter på at støvsugeren skal avbryte.
		<input type="checkbox"/>		2 sekunder	Verktøyregistreringen er avbrutt. Trådløsaktiveringslampen vil begynne å blinke blått.
Andre	Rød	<input type="checkbox"/>		3 sekunder	Den trådløse enheten forsynes med strøm, og trådløsaktiveringsfunksjonen starter opp.
	Av	-		-	Trådløsaktivering av støvsugeren stanses.

## Avbryte verktøyregistrering for støvsugeren

Gå frem på følgende måte når du skal avbryte verktøyregistrering for støvsugeren.

1. Sett batteriene i støvsugeren og verktøyet.
2. Still ventebryteren på støvsugeren på "AUTO".  
▶ **Fig.53:** 1. Ventebryter
3. Trykk på trådløsaktiveringsknappen på støvsugeren i 6 sekunder. Trådløsaktiveringslampen blinker grønt og blir deretter rød. Deretter trykker du på trådløsaktiveringsknappen på verktøyet på samme måte.  
▶ **Fig.54:** 1. Trådløsaktiveringsknapp  
2. Trådløsaktiveringslampe

Hvis avbrytingen er vellykket, vil trådløsaktiveringslampene lyse rødt i 2 sekunder og begynne å blinke blått.

**MERK:** Trådløsaktiveringslampene slutter å blinke rødt når det har gått 20 sekunder. Trykk på trådløsaktiveringsfunksjonen på verktøyet mens trådløsaktiveringslampen på støvsugeren blinker. Hvis trådløsaktiveringslampen ikke blinker rødt, trykker du på trådløsaktiveringsknappen et kort øyeblikk og holder den inne igjen.

## Feilsøking for trådløstiveringsfunksjonen

Insipser utstyret selv før du bestiller reparasjon. Ikke prøv å demontere verktøyet hvis du finner et problem som ikke er forklart i brukerveiledningen. I stedet bør du ta kontakt med et av Makitas autoriserte servicesentre, som alltid bruker reservedeler fra Makita til reparasjoner.

Unormal tilstand	Sannsynlig årsak (feil)	Løsning
Trådløstiveringslampan tennes/ blinker ikke.	Den trådløse enheten er ikke installert i verktøyet. Den trådløse enheten er installert på feil måte i verktøyet.	Installer den trådløse enheten på riktig måte.
	Det trådløse enhetens tilkoblingspunkt og/eller spor er tilsmusset.	Tørk forsiktig bort støv og smuss på den trådløse enhetens tilkoblingspunkt, og rengjør sporet.
	Du har ikke trykket på trådløstiveringsknappen.	Trykk et kort øyeblikk på trådløstiveringsknappen på verktøyet.
	Ventebryteren på støvsugeren er ikke stilt inn på "AUTO".	Still ventebryteren på støvsugeren på "AUTO".
	Ingen strømforsyning	Sørg for at verktøyet og støvsugeren har strømforsyning.
Kan ikke fullføre verktøyregistrering/ avbryte verktøyregistrering.	Den trådløse enheten er ikke installert i verktøyet. Den trådløse enheten er installert på feil måte i verktøyet.	Installer den trådløse enheten på riktig måte.
	Det trådløse enhetens tilkoblingspunkt og/eller spor er tilsmusset.	Tørk forsiktig bort støv og smuss på den trådløse enhetens tilkoblingspunkt, og rengjør sporet.
	Ventebryteren på støvsugeren er ikke stilt inn på "AUTO".	Still ventebryteren på støvsugeren på "AUTO".
	Ingen strømforsyning	Sørg for at verktøyet og støvsugeren har strømforsyning.
	Feil bruk	Trykk på trådløstiveringsknappen et kort øyeblikk, og utfør verktøyregistrering/avbryting på nytt.
	Verktøyet og støvsugeren er for langt unna hverandre (utenfor overføringsområdet).	Sørg for at verktøyet og støvsugeren er nærmere hverandre. Maksimal overføringsavstand er ca. 10 m, men den kan variere avhengig av forholdene.
	Før du fullfører verktøyregistrering/avbryting: – dra i startbryteren på verktøyet, eller – slå på startknappen på støvsugeren.	Trykk på trådløstiveringsknappen et kort øyeblikk, og utfør verktøyregistrering/avbryting på nytt.
	Verktøyregistreringen for verktøyet eller støvsugeren er ikke fullført.	Følg fremgangsmåten for verktøyregistrering for både verktøyet og støvsugeren samtidig.
	Radioforstyrrelse fra andre innretninger som genererer radiobølger med høy intensitet.	Hold verktøyet og støvsugeren borte fra innretninger som WiFi-enheter og mikrobølgeovner.
	Støvsugeren svinger ikke sammen med verktøyet bryterfunksjon.	Den trådløse enheten er ikke installert i verktøyet. Den trådløse enheten er installert på feil måte i verktøyet.
Det trådløse enhetens tilkoblingspunkt og/eller spor er tilsmusset.		Tørk forsiktig bort støv og smuss på den trådløse enhetens tilkoblingspunkt, og rengjør sporet.
Du har ikke trykket på trådløstiveringsknappen.		Trykk på trådløstiveringsknappen et kort øyeblikk, og kontroller at trådløstiveringslampan blinker blått.
Ventebryteren på støvsugeren er ikke stilt inn på "AUTO".		Still ventebryteren på støvsugeren på "AUTO".
Mer enn 10 verktøy er registrert til støvsugeren.		Utfør verktøyregistreringen på nytt. Hvis mer enn 10 verktøy er registrert til støvsugeren, vil det først registrerte verktøyet bli fjernet automatisk.
Støvsugeren slettet alle verktøyregistreringer.		Utfør verktøyregistreringen på nytt.
Ingen strømforsyning		Sørg for at verktøyet og støvsugeren har strømforsyning.
Verktøyet og støvsugeren er for langt unna hverandre (utenfor overføringsområdet).		Sørg for at verktøyet og støvsugeren er nærmere hverandre. Maksimal overføringsavstand er ca. 10 m, men den kan variere avhengig av forholdene.
Radioforstyrrelse fra andre innretninger som genererer radiobølger med høy intensitet.		Hold verktøyet og støvsugeren borte fra innretninger som WiFi-enheter og mikrobølgeovner.
Støvsugeren svinger når du ikke drar i startbryteren.		Andre brukere bruker støvsugerens trådløstivering med verktøyene sine.

## VEDLIKEHOLD

**⚠FORSIKTIG:** Forviss deg alltid om at maskinen er slått av og batteriet tatt ut før du foretar inspeksjon eller vedlikehold.

**OBS:** Aldri bruk gasolin, bensin, tynner alkohol eller lignende. Det kan føre til misfarging, deformering eller sprekkdannelse.

For å opprettholde produktets SIKKERHET og PÅLITELIGHET, må reparasjoner, vedlikehold og justeringer utføres av autoriserte Makita servicesentre eller fabrikk-servicesentre, og det må alltid brukes reservedeler fra Makita.

## Sette filteret tilbake i støvbeholderen

### Valgfritt tilbehør

1. Ta ut støvbeholderen mens du trykker ned hendelen på støvbeholderen.  
► **Fig.55:** 1. Hendel
2. Sett et flatt skrujern inn i sporene på filterdekselet slik at du kan ta av filterdekselet.  
► **Fig.56:** 1. Flatt skrujern 2. Filterdeksel
3. Fjern filteret fra filterhuset.  
► **Fig.57:** 1. Filter 2. Filterhus
4. Fest et nytt filter til filterhuset, og så settes filterdekselet på igjen.
5. Lukk dekselet på støvbeholderen, og fest støvbeholderenden til støvoppsamlingssystemet.

## Skifte ut det tettende lokket

### Valgfritt tilbehør

Hvis det tettende lokket er utslitt, svekkes støvsamlerens ytelse. Skift det ut hvis det er utslitt. Fjern det tettende lokket, og fest et nytt lokk med frem-springet vendt oppover.  
► **Fig.58:** 1. Fremspring 2. Tettende lokk

## VALGFRITT TILBEHØR

**⚠FORSIKTIG:** Det anbefales at du bruker dette tilbehøret eller verktøyet sammen med den Makita-maskinen som er spesifisert i denne håndboken. Bruk av annet tilbehør eller verktøy kan forårsake personskader. Tilbehør og verktøy må kun brukes til det formålet det er beregnet på.

Ta kontakt med ditt lokale Makita-servicesenter hvis du trenger mer informasjon om dette tilbehøret.

- Bor med karbidspiss (SDS-Plus-bor med karbidspiss)
- Kjernebor
- Spissmeisel
- Diamantkjernebor
- Flatmeisel

- Bredmeisel
- Spormeisel
- Kjøksadappter
- Nøkkelfri borekjoks
- Borfett
- Dybdemåler
- Utblåsningsballong
- Støvkopp
- Støvkoppsett
- Kroksett
- Støvboksett
- Borekjokssett
- Filtersett
- Verktøyholdersett
- Forbindelsessett
- Støvoppsamlingsystem
- Trådløs enhet
- Makita originalbatteri og lader
- Vernebriller
- Verktøykoffert av plast

**MERK:** Enkelte elementer i listen kan være inkludert som standardtilbehør i verktøypakken. Elementene kan variere fra land til land.

## TEKNISET TIEDOT

Malli:		HR001G	HR002G	HR003G	HR004G
Kapasiteetti	Betoni	28 mm			
	Poranterä	54 mm			
	Timanttioranterä (kuivatyypinen)	65 mm			
	Teräs	13 mm			
	Puu	32 mm			
Kuormittamaton kierrosnopeus	0–980 min <sup>-1</sup>				
Lyöntiä minuutissa	0–5 000 min <sup>-1</sup>				
Nimellisjännite	DC 36 V – 40 V maks.				
Kokonaispituus	BL4025:n kanssa	358 mm	389 mm	358 mm	389 mm
	BL4040:n kanssa	373 mm	404 mm	373 mm	404 mm
Nettopaino		3,9–4,6 kg	4,1–4,6 kg	3,9–4,6 kg	4,0–4,5 kg

### Lisävaruste

Malli:	DX12 (HR001G/HR003G)	DX14 (HR002G/HR004G)
Imuteho	350 l/min	
Iskunpituus	Jopa 190 mm	
Poranterän pituus	Jopa 260 mm	
Nimellisjännite	DC 36 V – 40 V maks.	
Nettopaino	1,6 kg	

- Jatkuvasta tutkimus- ja kehitystyöstämme johtuen esitetyt tekniset tiedot saattavat muuttua ilman erillistä ilmoitusta.
- Tekniset tiedot voivat vaihdella maittain.
- Paino voi olla erilainen lisävarusteista sekä akusta johtuen. EPTA-menettelytavan 01/2014 mukaisesti, taulukossa on kuvattu kevyin ja painavin laiteyhdistelmä.

### Käytettävä akkupaketti ja laturi

Akkupaketti	BL4025/BL4040
Laturi	DC40RA

- Tiettyjä yläpuolella kuvattuja akkuja ja latureita ei ehkä ole saatavana asuinalueestasi johtuen.

**VAROITUS:** Käytä vain edellä eriteltyjä akkupaketteja ja latureita. Muiden akkupakettien ja laturien käyttäminen voi aiheuttaa loukkaantumisen ja/tai tulipalon.

### Käyttötarkoitus

Työkalu on tarkoitettu tiilien, betonin ja kiven iskuporaukseen sekä puun, metallin, keramiikan ja muovin tavalliseen poraukseen.

### Melutaso

Tyypillinen A-painotettu melutaso määräytyy standardin EN60745-2-6 mukaan:

#### Malli HR001G

Äänenpainetaso ( $L_{pA}$ ): 95 dB (A)  
 Äänen voiman taso ( $L_{WA}$ ): 106 dB (A)  
 Virhemarginaali (K): 3 dB (A)

#### Malli HR002G

Äänenpainetaso ( $L_{pA}$ ): 93 dB (A)  
 Äänen voiman taso ( $L_{WA}$ ): 104 dB (A)  
 Virhemarginaali (K): 3 dB (A)

#### Malli HR003G

Äänenpainetaso ( $L_{pA}$ ): 95 dB (A)  
 Äänen voiman taso ( $L_{WA}$ ): 106 dB (A)  
 Virhemarginaali (K): 3 dB (A)

#### Malli HR004G

Äänenpainetaso ( $L_{pA}$ ): 93 dB (A)  
 Äänen voiman taso ( $L_{WA}$ ): 104 dB (A)  
 Virhemarginaali (K): 3 dB (A)

#### Malli HR001G ja DX12

Äänenpainetaso ( $L_{pA}$ ): 93 dB (A)  
 Äänen voiman taso ( $L_{WA}$ ): 104 dB (A)  
 Virhemarginaali (K): 3 dB (A)

#### Malli HR002G ja DX14

Äänenpainetaso ( $L_{pA}$ ): 93 dB (A)  
 Äänen voiman taso ( $L_{WA}$ ): 104 dB (A)  
 Virhemarginaali (K): 3 dB (A)

### Malli HR003G ja DX12

Äänenpainetaso ( $L_{pA}$ ): 93 dB (A)

Äänentehotaso ( $L_{WA}$ ): 104 dB (A)

Virhemarginaali (K): 3 dB (A)

### Malli HR004G ja DX14

Äänenpainetaso ( $L_{pA}$ ): 93 dB (A)

Äänentehotaso ( $L_{WA}$ ): 104 dB (A)

Virhemarginaali (K): 3 dB (A)

**HUOMAA:** Ilmoitetut melutasoarvot on mitattu standarditestausten mukaisesti ja niiden avulla voidaan vertailla työkaluja keskenään.

**HUOMAA:** Ilmoitettuja melutasoarvoja voidaan käyttää myös altistumisen alustavaan arviointiin.

**VAROITUS:** Käytä kuulosuojaimia.

**VAROITUS:** Sähkötyökalun käytön aikana mitattu melutasoarvo voi poiketa ilmoitetuista arvoista laitteen käyttötavan ja erityisesti käsiteltävän työkappaleen mukaan.

**VAROITUS:** Selvitä käyttäjän suojaamiseksi tarvittavat varoimet todellisissa käyttöolosuhteissa tapahtuvan arvioidun altistumisen mukaisesti (ottaen huomioon käyttöjaksot kokonaisuudessaan, myös jaksot, joiden aikana laite on sammutettuna tai käy tyhjäkäynnillä).

## Tärinä

Seuraavassa taulukossa on määritetty tärähdyksen kokonaisarvo sovellettavan standardin mukaisesti.

### Malli HR001G

Työtila	Tärinäpäästö	Virhemarginaali (K)	Sovellettava standardi
Betonin iskuporaaminen ( $a_{h,HD}$ )	7,0 m/s <sup>2</sup>	1,5 m/s <sup>2</sup>	EN60745-2-6
Betonin iskuporaaminen, DX12 ( $a_{h,HD}$ )	7,0 m/s <sup>2</sup>	1,5 m/s <sup>2</sup>	EN60745-2-6
Taluttaminen suoraa sivukahvaa käyttäen ( $a_{h,Cheq}$ )	6,5 m/s <sup>2</sup>	1,5 m/s <sup>2</sup>	EN60745-2-6
Metallin poraaminen ( $a_{h,D}$ )	2,5 m/s <sup>2</sup> tai alhaisempi	1,5 m/s <sup>2</sup>	EN60745-2-1

### Malli HR002G

Työtila	Tärinäpäästö	Virhemarginaali (K)	Sovellettava standardi
Betonin iskuporaaminen ( $a_{h,HD}$ )	6,5 m/s <sup>2</sup>	1,5 m/s <sup>2</sup>	EN60745-2-6
Betonin iskuporaaminen, DX14 ( $a_{h,HD}$ )	6,0 m/s <sup>2</sup>	1,5 m/s <sup>2</sup>	EN60745-2-6
Taluttaminen suoraa sivukahvaa käyttäen ( $a_{h,Cheq}$ )	7,5 m/s <sup>2</sup>	1,5 m/s <sup>2</sup>	EN60745-2-6
Metallin poraaminen ( $a_{h,D}$ )	2,5 m/s <sup>2</sup>	1,5 m/s <sup>2</sup>	EN60745-2-1

### Malli HR003G

Työtila	Tärinäpäästö	Virhemarginaali (K)	Sovellettava standardi
Betonin iskuporaaminen ( $a_{h,HD}$ )	7,0 m/s <sup>2</sup>	1,5 m/s <sup>2</sup>	EN60745-2-6
Betonin iskuporaaminen, DX12 ( $a_{h,HD}$ )	7,0 m/s <sup>2</sup>	1,5 m/s <sup>2</sup>	EN60745-2-6
Taluttaminen suoraa sivukahvaa käyttäen ( $a_{h,Cheq}$ )	7,0 m/s <sup>2</sup>	1,5 m/s <sup>2</sup>	EN60745-2-6
Metallin poraaminen ( $a_{h,D}$ )	2,5 m/s <sup>2</sup> tai alhaisempi	1,5 m/s <sup>2</sup>	EN60745-2-1

### Malli HR004G

Työtila	Tärinäpäästö	Virhemarginaali (K)	Sovellettava standardi
Betonin iskuporaaminen ( $a_{h,HD}$ )	6,5 m/s <sup>2</sup>	1,5 m/s <sup>2</sup>	EN60745-2-6
Betonin iskuporaaminen, DX14 ( $a_{h,HD}$ )	6,0 m/s <sup>2</sup>	1,5 m/s <sup>2</sup>	EN60745-2-6
Taluttaminen suoraa sivukahvaa käyttäen ( $a_{h,Cheq}$ )	7,5 m/s <sup>2</sup>	1,5 m/s <sup>2</sup>	EN60745-2-6
Metallin poraaminen ( $a_{h,D}$ )	2,5 m/s <sup>2</sup>	1,5 m/s <sup>2</sup>	EN60745-2-1

**HUOMAA:** Ilmoitetut kokonaistärinäarvot on mitattu standarditestausten mukaisesti ja niiden avulla voidaan vertailla työkaluja keskenään.

**HUOMAA:** Ilmoitettuja kokonaistärinäarvoja voidaan käyttää myös altistumisen alustavaan arviointiin.

**VAROITUS:** Sähkötyökalun käytön aikana mitattu todellinen tärinäpäästöarvo voi poiketa ilmoitetuista arvoista laitteen käyttötavan ja erityisesti käsiteltävän työkappaleen mukaan.

**VAROITUS:** Selvitä käyttäjän suojaamiseksi tarvittavat varoimet todellisissa käyttöolosuhteissa tapahtuvan arvioidun altistumisen mukaisesti (ottaen huomioon käyttöjaksot kokonaisuudessaan, myös jaksot, joiden aikana laite on sammutettuna tai käy tyhjäkäynnillä).

## EY-vaatimustenmukaisuusvakuutus

### Koskee vain Euroopan maita

EY-vaatimustenmukaisuusvakuutus on liitetty tähän käyttöoppaaseen.



# TURVAVAROITUKSET

## Sähkötyökalujen käyttöä koskevat yleiset varoitukset

**VAROITUS:** Tutustu kaikkiin tämän sähkötyökalun mukana toimitettuihin varoituksiin, ohjeisiin, kuviin ja teknisiin tietoihin. Seuraavassa lueteltujen ohjeiden noudattamatta jättäminen saattaa johtaa sähköiskuun, tulipaloon tai vakavaan vammautumiseen.

## Säilytä varoitukset ja ohjeet tulevaa käyttöä varten.

Varoituksissa käytettävällä termillä "sähkötyökalu" tarkoitetaan joko verkkovirtaa käyttävää (johdollista) työkalua tai akkukäyttöistä (johdotonta) työkalua.

## AKKUKÄYTTÖISEN PORAVASARAN KÄYTTÖÄ KOSKEVAT VAROITUKSET

- Käytä kuulosuojaimia.** Melulle altistuminen saattaa aiheuttaa kuulokyvyn heikentymistä.
- Käytä työkalun mukana mahdollisesti toimitettua lisäkahvaa tai kahvoja.** Hallinnan menetys voi aiheuttaa henkilövahinkoja.
- Kun suoritat toimenpidettä, jossa leikkaustyökalu voi joutua kosketukseen piilossa olevien johtojen kanssa, pidä kiinni työkalusta sen eristetyin tarttumispinnan kohdalta.** Jos leikkaustyökalu joutuu kosketukseen jännitteisen johdon kanssa, jännite voi siirtyä työkalun sähköä johtaviin metalliosiin ja aiheuttaa käyttäjälle sähköiskun.
- Käytä kovaa päähinettä (suojakypärää), suojalaseja ja/tai kasvosuojusta.** Tavalliset silmä- tai aurinkolasit EIVÄT ole suojalaseja. Myös hengityssuojaimen ja paksujen käsineiden käyttö on suositeltavaa.
- Varmista ennen työskentelyn aloittamista, että terä on kiinnitetty tiukasti paikoilleen.**
- Laite on suunniteltu siten, että se tärisee normaalikäytössä.** Ruuvit voivat irrota hyvinkin helposti aiheuttaen laitteen rikkoutumisen tai onnettomuuden. Tarkasta ruuvien kireys huolellisesti ennen käyttöä.
- Jos ilma on kylmä tai konetta ei ole käytetty pitkään aikaan, anna sen lämmetä jonkin aikaa tyhjäkäynnillä.** Tämä tehostaa laitteen voitelua. Vasarointi voi olla hankalaa ilman asianmukaista esilämmitystä.
- Seiso aina tukevassa asennossa.** Varmista korkealla työskennellessäsi, että ketään ei ole alapuolella.
- Pidä työkalusta lujasti molemmin käsin.**
- Pidä kädet poissa liikkuvien osien luota.**
- Älä jätä työkalua käymään itsekseen.** Käytä laitetta vain silloin, kun pidät sitä kadessä.
- Älä osoita laitteella ketään, kun käytät sitä.** Terä saattaa lennähtää irti ja aiheuttaa vakavan loukkaantumisen.

- Älä kosketa terää, sen lähellä olevia osia tai työkalupallea välittömästi käytön jälkeen, sillä ne voivat olla erittäin kuumia ja aiheuttaa palovammoja.**
- Jotkin materiaalit sisältävät kemikaaleja, jotka voivat olla myrkyllisiä.** Huolehdi siitä, että pölyn sisäänhengittäminen ja ihokosketus estetään. Noudata materiaalin toimittajan turvaohjeita.
- Varmista aina ennen laitteen luovuttamista toiselle henkilölle, että laite on sammutettu ja että akkupaketti ja poranterä on irrotettu.**
- Varmista ennen käyttöä, ettei työskentelyalueella ole upotuksia, kuten sähkö-, vesi- tai kaasuputkia.** Muutoin poranterä/talita voi koskettaa niitä, mikä voi johtaa sähköiskuun, sähkövuotoon tai kaasuvuotoon.

## SÄILYTÄ NÄMÄ OHJEET.

**VAROITUS: ÄLÄ** anna työkalun helppokäyttöisyyden (toistuvan käytön aikaansaama) johtaa sinua väärään turvallisuuden tunteeseen niin, että laiminlyöt työkalun turvaohjeiden noudattamisen. **VÄÄRINKÄYTTÖ** tai tässä käyttöohjeessa ilmoitettujen turvamääräysten laiminlyönti voi aiheuttaa vakavia henkilövahinkoja.

## Akkupakettia koskevia tärkeitä turvaohjeita

- Ennen akun käyttöönottoa tutustu kaikkiin laturissa (1), akussa (2) ja akkukäyttöisessä tuotteessa (3) oleviin varoitusteksteihin.**
- Älä pura tai peukaloi imuria akkupakettia.** Se voi johtaa tulipaloon, ylikuumentumiseen tai räjähdykseen.
- Jos akun toiminta-aika lyhenee merkittävästi, lopeta akun käyttö.** Seurauksena voi olla ylikuumentuminen, palovammoja tai jopa räjähdys.
- Jos akkuneustettä pääsee silmiin, huuhtele puhtaalla vedellä ja hakeudu välittömästi lääkärin hoitoon.** Akkuneuste voi aiheuttaa näön menetyksen.
- Älä oikosulje akku.**
  - Älä koske akun napoihin millään sähköä johtavalla materiaalilla.**
  - Vältä akun oikosulkemista äläkä säilytä akkuu yhdessä muiden metalliesineiden, kuten naulojen, kolikoiden ja niin edelleen kanssa.**
  - Älä aseta akkuu alttiiksi vedelle tai sateelle.**Oikosulku voi aiheuttaa virtapiikin, ylikuumentumista, palovammoja tai laitteen rikkoontumisen.
- Älä säilytä työkalua ja akkuu paikassa, jossa lämpötila voi nousta 50 °C:een tai sitäkin korkeammaksi.**
- Älä hävitä akkuu polttamalla, vaikka se olisi pahoin vaurioitunut tai täysin loppuun kulunut.** Avotuli voi aiheuttaa akun räjähtämisen.
- Älä naulaa, leikkaa, purista, heitä tai pudota akkupakettia tai iske sitä kovia esineitä vasten.** Tällaiset toimet voivat johtaa tulipaloon, ylikuumentumiseen tai räjähdykseen.



9. **Älä käytä viallista akkua.**
10. **Sisältyviä litium-ioni-akkuja koskevat vaarallisten aineiden lainsäädännön vaatimukset.**  
Esimerkiksi kolmansien osapuolten huolintaliikkeen tulee kaupallisissa kuljetuksissa noudattaa pakkaamista ja merkintöjä koskevia erityisvaatimuksia.  
Lähetettävän tuotteen valmistelu edellyttää vaarallisten aineiden asiantuntijan neuvontaa. Huomioi myös mahdollisesti yksityiskohtaisemmat kansalliset määräykset  
Akun avoimet liittimet tulee suojata teipillä tai suojuksella ja pakkaaminen tulee tehdä niin, ettei akku voi liikkua pakkauksessa.
11. **Kun akkupaketti on hävitettävä, poista se laitteesta ja hävitä se turvallisesti. Hävitä akku paikallisten määräysten mukaisesti.**
12. **Käytä akkuja vain Makitan ilmoittamien tuotteiden kanssa.** Akkujen asentaminen yhteensopimattomiin tuotteisiin voi aiheuttaa tulipalon, liiallisen ylikuumentumisen, räjähdyksen tai akkunestevuotoja.
13. **Jos laitetta ei käytetä pitkään aikaan, akku on poistettava laitteesta.**
14. **Akkupaketin lämpötila voi käytön aikana ja sen jälkeen nousta niin kuumaksi, että se voi aiheuttaa palovammoja tai lieviä palovammoja. Käsittele kuumia akkupaketteja huolellisesti.**
15. **Älä kosketa työkalun liittintä välittömästi käytön jälkeen, sillä se voi olla riittävän kuuma aiheuttamaan palovammoja.**
16. **Älä päästä lastuja, pölyä tai maata akkupaketin liittimiin, aukkoihin ja uriin.** Se voi heikentää työkalun tai akkupaketin suorituskykyä tai johtaa niiden rikkoutumiseen.
17. **Ellei työkalu tue käyttöä korkeajännitelinjojen lähellä, älä käytä akkupakettia korkeajännitelinjojen lähellä.** Se voi johtaa työkalun tai akkupaketin toimintahäiriöön tai rikkoutumiseen.

## SÄILYTÄ NÄMÄ OHJEET.

**⚠HUOMIO:** Käytä vain alkuperäisiä Makita-akkuja. Muiden kuin aitojen Makita-akkujen, tai mahdollisesti muutettujen akkujen käyttö voi johtaa akun murtumiseen ja aiheuttaa tulipaloja, henkilö- ja omaisuusvahinkoja. Se mitätöi myös Makita-työkalun ja -laturin Makita-takuun.

## Vihjeitä akun käyttöösi pidentämiseksi

1. Lataa akku ennen kuin se purkautuu täysin. Lopeta aina työkalun käyttö ja lataa akku, jos huomaat työkalun tehon vähenevän.
2. Älä koskaan lataa uudestaan täysin ladattua akkua. Ylilataaminen lyhentää akun käyttöikää.
3. Lataa akku huoneen lämpötilassa välillä 10 °C - 40 °C. Anna kuumen akun jäähtyä ennen lataamista.
4. Irrota akkupaketti työkalusta tai laturista, kun sitä ei käytetä.
5. Lataa akkupaketti, jos et käytä sitä pitkään aikaan (yli kuusi kuukautta).

## Langatonta yksikköä koskevat tärkeät turvallisuusohjeet

1. **Älä pura tai peukaloi langatonta yksikköä.**
2. **Pidä langaton yksikkö lasten ulottumattomissa. Jos tuote niellään vahingossa, ota välittömästi yhteys lääkäriin.**
3. **Käytä langatonta yksikköä vain Makitan työkalujen kanssa.**
4. **Älä altista langatonta yksikköä sateelle tai kosteisiin olosuhteisiin.**
5. **Älä käytä langatonta yksikköä paikassa, jossa lämpötila voi nousta yli 50 °C.**
6. **Älä käytä langatonta yksikköä paikassa, jonka läheisyydessä on lääketieteellisiä instrumentteja, kuten sydämentahdistajia jne.**
7. **Älä käytä langatonta yksikköä paikassa, jonka läheisyydessä on automatisoituja laitteita.** Toiminnallisena automatisoidut laitteet voivat aiheuttaa käyttöhäiriöitä tai virheitä.
8. **Älä jätä langatonta yksikköä paikkaan, jonka lämpötila on suuri tai jossa voi muodostua staattista sähköä tai sähkökohinahäiriöitä.**
9. **Langaton yksikkö voi muodostaa käyttäjälle vaarattomia sähkömagneettikenttiä (EMF).**
10. **Langaton yksikkö on tarkkuuslaite. Varo kolhimasta tai pudottamasta langatonta yksikköä.**
11. **Vältä koskettelemasta langattoman yksikön liittintä paljain käsin tai metallisilla materiaaleilla.**
12. **Irrota akku laitteesta aina, kun laitteeseen asennetaan langaton yksikkö.**
13. **Avattaessa uran kantta, vältä paikkoja missä pöly ja vesi voivat päästä uraan. Pidä aina uran aukko puhtaana.**
14. **Aseta langaton yksikkö aina oikeassa suunnassa.**
15. **Älä paina langattoman yksikön langatonta aktiivointipainiketta liian kovaa ja/tai paina painiketta teräväreunaisilla kohteilla.**
16. **Sulje aina uran kansi käytön aikana.**
17. **Älä irrota langatonta yksikköä urasta laitteen virransyötön aikana.** Muussa tapauksessa voi seurauksena olla langattoman yksikön käyttöhäiriöitä.
18. **Älä irrota langattoman yksikön tarraa.**
19. **Älä kiinnitä mitään tarroja langattomaan yksikköön.**
20. **Älä jätä langatonta yksikköä paikkaan, missä on staattista sähköä tai sähkökohinahäiriöitä voi muodostua.**
21. **Älä jätä langatonta yksikköä äärimmäisiin lämpötiloihin, kuten auton istuimelle auringonpaisteeseen.**
22. **Älä jätä langatonta yksikköä paikkaan, missä on pölyä tai jauheita tai syövyttäviä kaasuja voi muodostua.**
23. **Äkillinen lämpötilan vaihtelu voi kostuttaa langattoman yksikön. Älä käytä langatonta yksikköä ennenkuin kaste on täysin kuivunut.**
24. **Puhdista langaton yksikkö pyyhkimällä se kevyesti kuivalla liinalla. Älä käytä puhdistamiseen bensiiniä, tinneriä, johtavaa rasvaa tai vastaavaa.**

25. Säilytä langatonta yksikköä mukana toimituksessa kotelossa tai ei staattisessa säiliössä.
26. Älä liitä muita, kuin Makitan langattomia yksiköitä laitteen uraan.
27. Älä käytä laitetta uran kannen ollessa vaurioitunut. Uraan pääsevä vesi, pöly ja lika voivat aiheuttaa käyttöhäiriöitä.
28. Älä vedä ja/tai väännä uran kantta enempää kuin on tarpeen. Aseta kansi takaisin jos se irtaoo laitteesta.
29. Vaihda uran kansi sen ollessa kadonnut tai vaurioitunut.

## SÄILYTÄ NÄMÄ OHJEET.

## TOIMINTOJEN KUVAUS

**▲HUOMIO:** Varmista aina ennen säätöjä ja tarkastuksia, että työkalu on sammutettu ja akkupaketti irrotettu.

### Akun asentaminen tai irrottaminen

**▲HUOMIO:** Sammuta työkalu aina ennen akun kiinnittämistä tai irrottamista.

**▲HUOMIO:** Pidä työkalusta ja akusta tiukasti kiinni, kun irrotat tai kiinnität akkua. Jos akkupaketti tai työkalu putoaa, ne voivat vaurioitua tai aiheuttaa tatarurman.

► **Kuva1:** 1. Punainen merkkivalo 2. Painike 3. Akkupaketti

Irrota akku painamalla akun etupuolessa olevaa painiketta ja vetämällä akku ulos työkalusta.

Akku liitetään sovittamalla akun kieleke rungon uraan ja työntämällä se sitten paikoilleen. Työnnä akku pohjaan asti niin, että kuulet sen napsahdavan paikoilleen. Jos painikkeen yläpuolella näkyy punainen ilmaisin, akku ei ole lukkiutunut täysin paikoilleen.



















**▲HUOMIO:** Työnnä akku aina pohjaan asti, niin että punainen ilmaisin ei enää näy. Jos akku ei ole kunnolla paikallaan, se voi pudota työkalusta ja aiheuttaa vammoja joko sinulle tai sivullisille.

**▲HUOMIO:** Älä käytä voimaa akun asennuksessa. Jos akku ei liu'u paikalleen helposti, se on väärässä asennossa.

### Akun jäljellä olevan varaustason ilmaisin

Painamalla tarkistuspainiketta saat näkyviin akun jäljellä olevan varaustason. Merkkivalot palavat muutaman sekunnin ajan.

► **Kuva2:** 1. Merkkivalot 2. Tarkistuspainike

Merkkivalot			Akussa jäljellä olevan varaustason
 Palaa	 Pois päältä	 Viikkuu	
			75% - 100%
			50% - 75%
			25% - 50%
			0% - 25%
			Lataa akku.
			Akussa on saattanut olla toimintahäiriö.
			

**HUOMAA:** Ilmoitettu varaustaso voi erota hieman todellisesta varaustasosta sen mukaan, millaisissa oloissa ja missä lämpötilassa laitetta käytetään.

### Työkalun/akun suojausjärjestelmä

Työkalu on varustettu työkalu/akun suojausjärjestelmällä. Tämä järjestelmä pidentää työkalun ja akun käyttöikää katkaisemalla automaattisesti moottorin virran. Työkalu pysähtyy automaattisesti kesken käytön, jos työkalussa tai akussa ilmenee jokin seuraavista tilanteista:

#### Ylikuormitussuoja

Kun työkalua käytetään tavalla, mikä saa sen kuluttamaan epätavallisen suuren määrän virtaa, työkalu pysähtyy automaattisesti ilman mitään merkkivaloa tai ilmaista. Katkaise tässä tilanteessa työkalusta virta ja lopeta ylikuormitustilan aiheuttanut käyttö. Käynnistä sitten työkalu uudelleen kytkemällä siihen virta.

#### Ylikuumentussuoja

Kun laite tai akku ylikuumentaa, laite pysähtyy automaattisesti. Anna silloin laitteen tai akun jäähtyä, ennen kuin kytket laitteen uudelleen virran.

**HUOMAA:** Jos laite on ylikuumentunut, lamppu alkaa vilkkua.

#### Ylipurkautumissuoja

Kun akun varaustaso on riittämätön, työkalu pysähtyy automaattisesti. Irrota silloin akku työkalusta ja lataa se.

#### Kytkimen käyttäminen

**▲VAROITUS:** Tarkista aina ennen akkupaketin asettamista työkaluun, että liipaisinkytkin kytkeytyy oikein ja palaa "OFF"-asentoon, kun se vapautetaan.

► **Kuva3:** 1. Liipaisinkytkin

Käynnistä työkalu vetämällä liipaisinkytkintä. Työkalun nopeus kasvaa liipaisinkytkimeen kohdistuvaa voimaa lisättäessä. Pysäytä vapauttamalla liipaisinkytkin.

## Nopeuden muuttaminen

Kierros- ja iskunopeuden minuutissa voi säätää sää-  
töpyörää pyörittämällä. Pyörässä on numerot 1:sta  
(hitain) 5:een (täysi nopeus).

► **Kuva4:** 1. Säästöpyörä

Tarkista säästöpyörän numeroa vastaavat kierros- ja  
iskunopeudet per minuutti alla olevasta taulukosta.

Numero	Kierroksia minuutissa	Iskua minuutissa
5	980	5 000
4	870	4 440
3	630	3 210
2	380	1 940
1	300	1 530

**HUOMIO:** Älä käännä säästöpyörää, kun laite  
on käytössä. Muutoin laite saattaa karata hallin-  
nasta ja aiheuttaa vamman.

**HUOMAUTUS:** Jos laitetta käytetään jatkuvasti  
pitkään alhaisella nopeudella, moottori voi yli-  
kuormittua ja aiheuttaa laitteen toimintahäiriön.

**HUOMAUTUS:** Säästöpyörää voi kääntää vain  
numeroon 5 saakka ja takaisin numeroon 1. Älä  
pakota sitä lukujen 5 tai 1 yli, sillä se voi rikkoa  
nopeuden säätötoiminnon.

**HUOMAA:** Pehmeä kuormittamaton pyörimistoi-  
minto (HR001G/HR002G)

Kun säästöpyörän asetus on "4" tai suurempi, työkalu  
pienentää automaattisesti nopeutta kuormittamatto-  
mana tärinän vähentämiseksi. Kun käyttö aloitetaan  
painamalla työkalun terä betonია vasten, iskumäärä  
suurenee taulukon lukemia vastaavaksi. Tämä toi-  
minto ei ehkä toimi oikein, vaikka moottori kävisi, jos  
lämpötila on alhainen ja rasva on jäykkää.

## Etulampun syyttäminen

► **Kuva5:** 1. Lamppu

**HUOMIO:** Älä katso suoraan lamppuun tai  
valonlähteeseen.

Lamppu syytty, kun painat liipaisinkytkintä. Lamppu  
palaa niin kauan kuin liipaisinkytkintä painetaan.  
Lamppu sammuu noin 10 sekunnin kuluttua liipaisinkyt-  
kimen vapauttamisesta.

**HUOMIO:** HR001G/HR002G

Jos lamppu sammuu muutaman sekunnin vilk-  
kumisen jälkeen, aktiivinen vastustuksen tunnis-  
tustekniikka ei toimi oikein. Pyydä valtuutettua  
Makita-huoltoiliikettä korjaamaan työkalu.

**HUOMAA:** Pyyhi lika pois linssistä kuivalla liinalla.  
Varo naarmuttamasta linssiä, ettei valoteho laske.

**HUOMAA:** Jos laitteeseen on asennettuna pölyn-  
keräysjärjestelmä, pölynkeräysjärjestelmän lamppu  
syytty laitteen sijasta.

## Pyörimissuunnan vaihtokytkimen toiminta

► **Kuva6:** 1. Pyörimissuunnan vaihtokytkimen vipu

**HUOMIO:** Tarkista aina pyörimissuunta ennen  
käyttöä.

**HUOMIO:** Käytä pyörimissuunnan vaihtokyt-  
kintä vasta sen jälkeen, kun kone on lakannut  
kokonaan pyörimästä. Pyörimissuunnan vaihto  
koneen vielä pyöriessä voi vahingoittaa sitä.

**HUOMIO:** Aina kun konetta ei käytetä, käännä  
pyörimissuunnan vaihtokytkin keskiasentoon.

Työkalussa on pyörimissuunnan vaihtokytkin. Jos  
haluat koneen pyöriä myötäpäivään, paina vaihtokyt-  
kytkintä A-puolelta ja jos vastapäivään, paina sitä  
B-puolelta.

Jos pyörimissuunnan vaihtokytkin on keskiasennossa,  
liipaisinkytkin lukittuu.

## Pikaistukan vaihtaminen SDS-plus pikaistukkaan

### HR002G/HR004G

SDS-plus pikaistukka on helposti vaihdettavissa poran  
pikaistukkaan.

### SDS-plus pikaistukan irrotus

**HUOMIO:** Irrota terä ennen SDS-plus pikaistu-  
kan irrottamista.

Tartu SDS-plus pikaistukan vaihtosuojukseen ja kierrä  
sitä nuolen osoittamaan suuntaan, kunnes vaihtosu-  
ojuksen viiva siirtyy symbolista symbolin kohdalle.  
Vedä voimakkaasti nuolen osoittamaan suuntaan.

► **Kuva7:** 1. SDS-plus pikaistukka 2. Vaihtosuojus  
3. Vaihtosuojuksen viiva

### Poran pikaistukan kiinnittäminen

Tarkista, että poran pikaistukan viiva osoittaa  
kohti symbolia. Tartu poran pikaistukan vaihtosu-  
ojukseen ja aseta viiva symbolin kohdalle. Aseta  
poran pikaistukka työkalun karaan. Tartu poran pikais-  
tukan vaihtosuojukseen ja kierrä vaihtosuojuksen  
viivaa symbolin kohdalle, kunnes kuulet selkeän  
napsahduksen.


► **Kuva8:** 1. Poran pikaistukka 2. Kara  
3. Vaihtosuojuksen viiva 4. Vaihtosuojus

## Toiminnon valitseminen

**HUOMAUTUS:** Älä liikuta toimintatilan valin-  
tanuppia, kun työkalu on käynnissä. Työkalu voi  
rikkoutua.

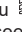
**HUOMAUTUS:** Toimintatavan valintameka-  
nismin kulumisen estämiseksi varmista, että  
valintanuppi on aina selvästi jossakin kolmesta  
asennosta.

## Poraus iskutoiminnolla

Betoniin, muuriin, jne. poraamiseksi pyöritä toimintatilan vaihtonuppia  symbolia kohti. Käytä kovametalliterää (lisävaruste).

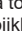
► **Kuva9:** 1. Poraus iskutoiminnolla 2. Toimintatilan valintanuppi

## Vain poraus

Kun poraat puuta, metallia tai muovia, siirrä toimintatilan vaihtovipu  symbolia kohti. Käytä kieräterää tai puun poraukseen tarkoitettua terää.

► **Kuva10:** 1. Vain poraus

## Vain iskutoiminto

Veistämiseksi, saostamiseksi tai purkaustöiden tekemiseksi kierrä toimintatilan vaihtonuppia  symbolia kohti. Käytä piikkitalttaa, kylmätaltaa, leveää talttaa jne.

► **Kuva11:** 1. Vain iskutoiminto

## Koukku

**⚠HUOMIO:** Poista akku aina, kun ripustat laitteen koukusta.

**⚠HUOMIO:** Älä koskaan ripusta laitetta korkeaan paikkaan tai epävakaa alustalle.

Työkalu voidaan kätevästi ripustaa väliaikaisesti koukkuun.

Voit käyttää koukkuja helposti nostamalla sitä niin, että se napsahtaa auki-asentoon. Kun et käytä sitä, laske aina koukku, kunnes se napsahtaa kiinni-asentoonsa.

► **Kuva12:** 1. Koukku

► **Kuva13**

## Turvalliinan (liekaköyden) kiinnittäminen koukkuun

**⚠HUOMIO:** Älä käytä vaurioitunutta koukkuja ja vaurioituneita ruuveja. Tarkista koukku aina ennen käyttöä vaurioiden, murtumien ja vääntymien varalta ja varmista, että ruuvit on kiristetty.

**⚠HUOMIO:** Varmista, että koukku on kunnolla kiinnitetty ruuveilla.

**⚠HUOMIO:** Älä irrota akkupakettia, kun työkalu on ripustettuna. Työkalu voi kaatua, jos ruuveja ei ole kiristetty.

**⚠HUOMIO:** Käytä aina lukittuvaa (monivaiheista ja kiinni ruuvattavaa) kiinnitysolkeaa ja kiinnitä turvalliina (liekaköysi) koukun kaksinkerlaiseen osaan. Turvaton kiinnitys voi johtaa työkalun tippumiseen koukusta ja henkilövahinkoon.

Koukku on tarkoitettu myös turvalliinan (liekaköyden) kiinnittämistä varten. Kiinnitä turvalliina (liekaköysi) aina koukun kaksinkertaiseen osaan.

► **Kuva14:** 1. Koukun kaksinkertainen osa  
2. Turvalliina (liekaköysi) 3. Lukittuva (monivaiheinen ja kiinni ruuvattava) kiinnitysolki

## Pölynkeräysjärjestelmän suutinasennon säätäminen

### Lisävaruste

Paina ohjainta sisään ja ohjaimen säätöpainiketta ylös samanaikaisesti ja tämän jälkeen vapauta painike halutussa asennossa.

► **Kuva15:** 1. Ohjain 2. Ohjaimen säätöpainike

**HUOMAA:** Ennen suutinasennon säätämistä vapauta suutin täysin eteenpäin painamalla ohjaimen säätöpainiketta ylös.

Jos asennettuna on pitkä poranterä, pidennä ohjainta painamalla pidennyspainiketta ylös.

► **Kuva16:** 1. Pidennyspainike

## Pölynkeräysjärjestelmän poraussyvyyden säätäminen

### Lisävaruste

Siirrä poraussyvyyden säätöpainiketta haluttuun asentoon samalla, kun painat sitä ylös. Etäisyys (A) on poraussyvyys.

► **Kuva17:** 1. Poraussyvyyden säätöpainike

## Vääntömomentin rajoitin

**HUOMAUTUS:** Sammuta työkalu heti, kun vääntömomentin rajoitin kytkeytyy päälle. Näin voidaan ehkäistä työkalun liian nopea kuluminen.

**HUOMAUTUS:** Terät, kuten reikäterä, joilla on taipumusta puristua tai juuttua helposti reikään, eivät ole sopivia tähän työkaluun. Tämä johtuu siitä, että vääntömomentin rajoitin kytkeytyy päälle liian usein niitä käytettäessä.

Vääntömomentin rajoitin aktivoituu, kun vääntömomentti saavuttaa tietyn tason. Tällöin moottori kytkeytyy irti käyttöakselista. Samalla terä lakkaa pyörimästä.

## Sähköinen toiminta

Laitte on varustettu sähköisillä toiminnoilla helppokäyttöisyyttä ajatellen.

- Vakionopeuden säätö  
Vakionopeuden säätö mahdollistaa vakiopyörimisnopeuden kuormitusolosuhteista riippumatta.
- Aktiivinen vastustuksen tunnistustekniikka (HR001G/HR002G)  
Jos laite kääntyy määritettyä suuremmalla kiihtyvyydellä käytön aikana, moottori pysäytetään ranteeseen kohdistuvan voiman pienentämiseksi.

**HUOMAA:** Tämä toiminto toimii vain, jos laitteen kääntymisen kiihtyvyyttä saavuttaa ennalta määritetyn raja-arvon.

**HUOMAA:** Jos terä kääntyy määritettyä suuremmalla kiihtyvyydellä piikattaessa, kuorittaessa tai rakenteita rikotaessa, moottori pysäytetään. Tässä tapauksessa vapauta liipaisinkytkin ja käynnistä laite sitten uudelleen liipaisinkytkintä painamalla.

# KOKOONPANO

**⚠️HUOMIO:** Varmista aina ennen mitään työkalulle tehtäviä toimenpiteitä, että se on sammutettu ja akku irrotettu.

## Sivukahva (apukahva)

**⚠️HUOMIO:** Käytä aina sivukahvaa käyttöturvallisuuden varmistamiseksi.

**⚠️HUOMIO:** Varmista, että sivukahva on paikallaan luotettavasti sen asentamisen tai säätämisen jälkeen.

Sivukahva asennetaan seuraavien ohjeiden mukaisesti.

1. Löysää sivukahvan siipiruuvia.  
▶ **Kuva18:** 1. Siipiruuvi
2. Paina siipiruuvia ja kiinnitä sivukahva siten, että kahvassa olevat urat osuvat työkalun vaipassa oleviin ulkonemiin.  
▶ **Kuva19:** 1. Siipiruuvi
3. Kiristä siipiruuvi niin, että kahva kiinnittyy paikalleen. Kahva voidaan kiinnittää haluttuun kulmaan.

## Voitele

Levitä poranterän karanpään etukäteen pieni määrä rasvaa (noin 0,5 - 1 g).

Tämä istukan voitelu varmistaa tasaisen toiminnan ja pitkän käyttöiän.

## Poranterän kiinnittäminen tai irrottaminen

Puhdista poranterän karanpää ja levitä rasvaa ennen poranterän asentamista.

▶ **Kuva20:** 1. Karanpää 2. Voitele

Työnnä poranterä työkaluun. Kierrä poranterää ja työnnä sitä, kunnes se kytkeytyy työkaluun. Poranterän asentamisen jälkeen varmista, että se on lukittuna paikalleen yrittämällä vetää sitä irti työkalusta.  
▶ **Kuva21:** 1. Poranterä


Irrota poranterä painamalla istukan suojus täysin alas ja vetämällä poranterä irti.

▶ **Kuva22:** 1. Poranterä 2. Istukan suojus

## Talttäteräkulma (piikatessa, kuoriessa ja rakenteita rikottaessa)

Talttäterä voidaan kiristää haluttuun kulmaan. Jos haluat muuttaa talttäterän kulmaa, kierrä toimintatilan vaihtonuppi kohti O-symbolia. Käännä talttäterä haluttuun kulmaan.

▶ **Kuva23:** 1. Toimintatilan valintanuppi

Kierrä toimintatilan valintanuppia  symbolia kohti. Varmista sitten talttäterää kiertämällä, että terä on tukevasti paikallaan.

# Syvyystulkki

Syvyystulkki auttaa saman syvyisten reikien poraamisessa.

Pidä lukituspainiketta painettuna ja työnnä syvyystulkki kuusikulmaiseen reikään. Varmista, että syvyystulkkin hammastettu sivu on kohti merkintöjä.

▶ **Kuva24:** 1. Syvyystulkki 2. Lukituspainike 3. Merkinnät 4. Hammastettu sivu

Sääda syvyystulkki siirtämällä sitä eteen- tai taaksepäin samalla, kun painat lukituspainiketta. Lukitse syvyystulkki paikalleen vapauttamalla lukituspainike.

**HUOMAA:** Varmista, että syvyysmittari ei kosketa työkalun runkoa sen kiinnittämisen aikana.

## Pölynkeräysjärjestelmän kiinnitys tai irrotus

### Lisävaruste

Kiinnitä pölynkeräysjärjestelmä asettamalla laite kokonaan pölynkeräysjärjestelmään, kunnes se lukittuu paikalleen kahdesti napsahtamalla.

▶ **Kuva25**

Irrota pölynkeräysjärjestelmä vetämällä työkalua ja samanaikaisesti painamalla vapautuspainiketta.

▶ **Kuva26:** 1. Vapautuspainike

## Pölykorkki

### Lisävaruste


Pölykorkki estää pölyn pääsyn laitteeseen ja suojaa poraajaa, kun porataan yläpuolella olevia kohteita. Kiinnitä pölykorkki terään kuvan osoittamalla tavalla. Pölykorkki voidaan kiinnittää seuraavan kokosiin teriin.

Malli	Terän halkaisija
Pölykorkki 5	6 mm - 14,5 mm
Pölykorkki 9	12 mm - 16 mm

▶ **Kuva27:** 1. Pölykorkki

## Pölykorkkisarja

### Lisävaruste

Jos porassa on terä, irrota se ennen pölykorkin asentamista. Kiinnitä pölykorkkisarja työkaluun niin, että pölykorkin symboli  on kohdakkain työkalussa olevan uran kanssa.

▶ **Kuva28:** 1.  Symboli 2. Ura

**HUOMAA:** Jos liität pölynimurin pölykorkkisarjaan, irrota polysuojus ennen liitäntää.

▶ **Kuva29:** 1. Polysuojus

Irrota pölykorkkisarja irrottamalla terä ja samanaikaisesti vetämällä istukan suojusta nuolen osoittamaan suuntaan.

▶ **Kuva30:** 1. Terä 2. Istukan suojus

Pidä kiinni pölykorkin kannasta ja vedä se pois.

▶ **Kuva31**

**HUOMAA:** Jos suojus irtoaa pölykorkista, kiinnitä se kuvioillinen puoli ylöspäin niin, että suojuksen ura osuu lisälaitteen kehän sisäpuolelle.

▶ **Kuva32**

# TYÖSKENTELY

**⚠HUOMIO:** Käytä aina sivukahvaa (apukahvaa) ja pidä työkalusta tiukasti toinen käsi sivukahvalla ja toinen kytkinkahvalla työskentelyn aikana.

**⚠HUOMIO:** Varmista aina, että työkappale on kiinnitetty luotettavasti paikalleen ennen työkalun käyttöä.

**⚠HUOMIO:** Älä vedä laitetta irti voimalla, vaikka sen terä juuttuisi kiinni. Hallinnan menetys voi aiheuttaa henkilövahinkoja.

**⚠HUOMIO:** Pölynkeräysjärjestelmä on tarkoitettu vain betonin poraamiseen. Älä käytä pölynkeräysjärjestelmää metallin tai puun poraamiseen.

**⚠HUOMIO:** Käytettäessä työkalua pölynkeräysjärjestelmän kanssa, varmista, että suodatin on kiinnitetty pölynkeräysjärjestelmän pölyjen hengittämisen välttämiseksi.

**⚠HUOMIO:** Tarkasta, että suodatin ei ole vaurioitunut ennen pölynkeräysjärjestelmän käyttöä. Muussa tapauksessa voi seurauksena olla pölylle altistuminen hengityksen kautta.

**⚠HUOMIO:** Pölynkeräysjärjestelmä kerää muodostuneen pölyn huomattavalla nopeudella, mutta kaikkia pölyjä ei voida kerätä.

**HUOMAUTUS:** Älä käytä pölynkeräysjärjestelmää avartamiseen tai talttaamiseen.


**HUOMAUTUS:** Älä käytä pölynkeräysjärjestelmää määrän betonin poraamiseen tai käytä tätä järjestelmää määrissä olosuhteissa. Muussa tapauksessa voi seurauksena olla käyttöhäiriöitä.

**HUOMAA:** Jos akkupatruunassa on alhainen lämpötila, työkalun täyttä kapasiteettia ei ehkä saavuteta. Tässä tapauksessa lämmitä akkupatruunaa käyttämällä kuormittamatonta työkalua hetken ajan työkalun täyden kapasiteetin saavuttamiseksi.

► Kuva33

## Iskuporatoiminta


**⚠HUOMIO:** Työkaluun/poranterään kohdistuu valtava voima, kun terä menee läpi työkappaleesta, kun reikä tukkeutuu lastuista ja purusta tai kun terä osuu betonirauhoitukseen. **Käytä aina sivukahvaa (apukahvaa) ja pidä työkalusta tiukasti toinen käsi sivukahvalla ja toinen kytkinkahvalla työskentelyn aikana.** Jos näin ei tehdä, seurauksena voi olla työkalun hallinnan menetys ja mahdollisesti vakava vamma.

Aseta toimintatilan valintanuppi  symbolia kohti. Aseta poranterä haluttuun kohtaan reiän poraamista varten ja tämän jälkeen vedä laukaisinkytkimestä. Älä käytä tarpeetonta voimaa. Kevyt paine takaa parhaan lopputuloksen. Pidä työkalu paikallaan ja estä sen liukumista pois aukosta.

Jos reikä tukkeutuu lastuista ja purusta, älä käytä lisävoimaa. Anna sen sijaan työkalun käydä joutokäynnillä ja vedä terä osittain ulos reistä. Toista tämä useampaan kertaan, jolloin reikä puhdistuu ja voit jatkaa poraamista.

**HUOMAA:** Terä voi pyöriä epäkeskoisesti, jos työkalua käytetään ilman kuormaa. Varsinaisen porauksen aikana työkalu keskittää itsensä automaattisesti. Tämä ei vaikuta porauksen tarkkuuteen.

## Piikkaus/Kuorinta/Purkutyö

Aseta toimintatilan valintanuppi  symbolia kohti. Pidä työkalusta luotettavasti kiinni molemmilla käsilläsi. Käynnistä työkalu ja paina työkalua kevyesti niin, ettei työkalu liiku hallitsemattomasti ympärilleen. Tehokkuus ei kasva painamalla työkalua liian voimakkaasti.

► Kuva34

## Poraus puuhun tai metalliin

**⚠HUOMIO:** Pidä työkalu tukevassa otteessa ja ole varovainen, kun terä alkaa porautua läpi työkappaleesta. Työkaluun/terään kohdistuu valtava voima, kun terä porautuu läpi.

**⚠HUOMIO:** Juuttuneen terän voi irrottaa vaihtamalla terän pyörimissuuntaa ja peruuttaa. Pidä kuitenkin työkalusta lujasti kiinni, sillä se voi tökätä taaksepäin äkkinäisesti.

**⚠HUOMIO:** Kiinnitä työkappaleet aina viilauspenkkiin tai vastaavaan pidikkeeseen.

**HUOMAUTUS:** Älä koskaan käytä poraamiseen "iskutoimintoa" teräistukan ollessa asennettuna työkaluun. Poraistukkaa voi vaurioitua. Poraistukkaa voi myös tulla pois kun työkalun pyörimissuuntaa muutetaan.

**HUOMAUTUS:** Työkalun painaminen liian voimakkaasti ei nopeuta poraamista. Päinvastoin liiallinen paine vain tylsyyttää poranterää, hidastaa työtä ja lyhentää työkalun käyttöikää.

Kierrä toimintatilan valintanuppia  symbolia kohti.

## HR001G/HR003G

### Lisävaruste

Kiinnitä istukan sovitiin kiiltottomaan poraistukkaan, mihin voidaan asentaa 1/2"-20 koon ruuvi. Tämän jälkeen asenna ne työkaluun. Asennuksen aikana katso asennusohjeet luvusta "Poranterän kiinnittäminen tai irrottaminen".

► Kuva35: 1. Pikaistukka 2. Istukan sovitiin

## HR002G/HR004G

Käytä poran pikaistukkaa vakiovarusteena. Käytä istukkaa asentaessasi apuna kohdassa "Nopeavaihtoistukan SDS-plus vaihtaminen" annettuja ohjeita. Avaa istukan leuat kääntämällä holkkia vastapäivään pitämällä samanaikaisesti rengasta paikallaan. Työnnä kärki/terä niin syväälle istukkaan kuin se menee. Kiristä istukan leuat kääntämällä holkkia myötäpäivään pitämällä samanaikaisesti rengasta paikallaan.


► Kuva36: 1. Holkki 2. Rengas

Irrota kärki/terä kääntämällä holkkia vastapäivään pitämällä samanaikaisesti rengasta paikallaan.



## Timanttiporanterällä poraus

**HUOMAUTUS:** Jos poraat timanttiporanterällä "iskutoimintoa" käyttäen, timanttiporanterä voi vahingoittua.

Kun poraat timanttiporanterällä, aseta toimintatilan valitsinuppi aina "vain porauksen" asentoon .

## Pölyn tampaaminen suodattimesta

### Lisävaruste

**▲HUOMIO:** Älä käännä pölylokeron säädintä, kun pölylokeron on irrotettu pölynkeruujärjestelmästä. Muutoin seurauksena voi olla pölylle altistuminen hengityksen kautta.

**▲HUOMIO:** Sammuta laite aina, kun käännät pölylokeron säädintä. Jos säädintä käännetään laitteen ollessa käynnissä, laite voi karata hallinnasta.

Pölykotelon sisällä olevaan suodattimeen kertyneen pölyn tampaaminen auttaa säilyttämään imutehon ja vähentämään pölyn poistotarvetta.

Käännä pölykotelon säädintä kolmesti aina, kun pölyä on kertynyt 50 000 mm<sup>3</sup> tai kun tunnet imutehon heikentyneen.

**HUOMAA:** 50 000 mm<sup>3</sup> pölyä vastaa 10 reiän poraamista, kun reiän ø 10 mm ja syvyys 65 mm (14 reikää, kun ø3/8" ja syvyys 2").

► Kuva37: 1. Pölykotelo 2. Säädin

## Pölyn hävittäminen

### Lisävaruste

**▲HUOMIO:** Varmista aina ennen mitään työkalulle tehtäviä toimenpiteitä, että se on sammutettu ja akku irrotettu.

**▲HUOMIO:** Käytä pölysuojainta pölyjen hävittämisessä.

**▲HUOMIO:** Tyhjennä pölysäiliö säännöllisesti ennen sen täyttymistä. Muussa tapauksessa pölynkeräysteho voi heikentyä ja aiheuttaa pölyn sisäinhengittämisen.

**▲HUOMIO:** Pölynkeräysteho laskee, jos pölysäiliön suodatin on tukossa. Vaihda suodatin uuteen viitteellisesti noin 200 pölysäiliön tyhjennyksen jälkeen. Muussa tapauksessa voi seurauksena olla pölylle altistuminen hengityksen kautta.

1. Irrota pölysäiliö ja paina samanaikaisesti pölysäiliön vipua.

► Kuva38: 1. Vipua

2. Avaa pölysäiliön suojaa.

► Kuva39: 1. Suoja

3. Hävitä pöly ja puhdista suodatin tämän jälkeen.

► Kuva40

**HUOMAUTUS:** Kun puhdistat suodatinta, irrota pöly taputtamalla suodatinkotelo varovasti käsin. Älä taputa suodatinta suoraan, kosketa sitä harjalla tai vastaavalla tai puhalla siihen paineilmaa. Se voi vahingoittaa suodatinta.

## Puhallin

### Lisävaruste

Porauksen jälkeen puhdista pöly reistä puhaltimella.

► Kuva41

## Pölykorkkisarjan käyttö

### Lisävaruste

Sovita pölykorkkisarja kannta vasten työkalun käytön aikana.

► Kuva42

**HUOMAUTUS:** Älä käytä pölykorkkisarjaa metallia tai muuta vastaavaa materiaalia porattaessa. Tämä voi vahingoittaa pölykorkkisarjaa pienistä metallipölyistä tai vastaavista muodostuneesta lämmöstä johtuen.

**HUOMAUTUS:** Älä asenna tai irrota pölykorkkisarjaa poranterän ollessa asennettuna työkaluun. Tämä voi vahingoittaa pölykorkkisarjaa ja aiheuttaa pölyvuotoja.

## Turvaliinan (liekaköyden) kiinnittäminen koukkuun

**▲Korkealla työskentelyyn liittyvät varoitukset Lue huolellisesti kaikki turvallisuusvaroitukset ja käyttöohjeet. Varoitusten ja ohjeiden noudattamatta jättäminen voi aiheuttaa vakavia vammoja.**

1. Pidä työkalu aina kiinnitettynä turvaliinaan korkealla työskennellessä. Käytettävän turvaliinan enimmäispituus on 2 m. Turvaliinan (liekaköyden) sallima putoamismatka saa olla enintään 2 m.
2. Käytä vain työkalutyypille sopivia turvaliinoja, jotka kestävät vähintään 8,0 kg:n painon.
3. Älä kiinnitä työkalun turvaliinan toista puolta vartaloosi tai liikkuviin kohteisiin. Ankkuuri turvaliina kiinteään rakenteeseen, joka kestää työkalun putoamisvoiman.
4. Varmista ennen käyttöä, että turvaliina on kiinnitetty huolellisesti kummastakin päästä.
5. Tarkista ennen käyttöä, että sekä työkalu että turvaliina (myös kangas ja ompeleet) ovat ehjiä ja että ne toimivat oikein. Älä käytä niitä, jos ne ovat vaurioituneet tai eivät toimi oikein.
6. Älä kierrä turvaliinaa teräv- tai karkeareunaisen esineiden ympärille tai päästä sitä kosketamaan niitä.
7. Kiinnitä turvaliinan toinen pää työskentelyalueen ulkopuolelle niin, että turvaliina pysäyttää putoavan työkalun varmasti.
8. Kiinnitä turvaliina niin, että työkalu liikkuu pois päin käyttäjältä pudotessaan. Putoavien työkalujen aiheuttama turvaliinan kiristyminen voi aiheuttaa vammoja tai johtaa tasapainon pettämiseen.
9. Älä käytä liikkuvien osien tai käynnissä olevien koneiden lähellä. Ne voivat aiheuttaa perusturmuksia tai kiinnijäämisvaaran.
10. Älä kanna työkalua kiinnitysmekanismista tai turvaliinasta.

11. Siirrä työkalu kädestäsi toiseen vain, kun asentosi on täysin tasapainoinen.
12. Älä kiinnitä työkalun turvaliinoja niin, että ne estävät työkimien tai (mahdollisten) lukitusten oikean toiminnan.
13. Vältä turvaliinaan sotkeutumista.
14. Pidä turvaliina pois työkalun porausalueelta.
15. Käytä lukittuvaa (monivaiheista ja kiinni ruuvattavaa) kiinnityssolkea. Älä käytä yksivaiheisia jousitoimisia kiinnityssolkia.
16. Mikäli työkalu putoaa, se on merkittävä ja poistettava käytöstä, minkä jälkeen se on tarkistuttava Makitan tehtaalla tai valtuutetussa huoltoilikkeessä.

## LANGATON AKTIVOINTITOIMINTO

HR001G/HR002G:n lisävaruste

### Mitä langattomalla aktivointitoiminnolla voi tehdä

Langaton aktivointitoiminto mahdollistaa puhtaan ja miellyttävän käyttötoiminnan. Liittämällä tuettu pölynimuri laitteeseen, voit käyttää pölynimuria automaattisesti yhdessä laitteen kytkintoiminnon kanssa.

► Kuva43

Langattoman aktivointitoiminnon käyttämiseksi valmiittele seuraavat kohdat:

- Langaton yksikkö (lisävaruste)
- Pölynimuri, joka tulee langatonta aktivointitoimintoa

Langattoman aktivointitoiminnon asetuksen kuvaus on seuraavana. Katso jokaisen osion yksityiskohtaiset ohjeet.

1. Langattoman yksikön asennus
2. Laitteen rekisteröinti pölynimurille
3. Langattoman aktivointitoiminnon aloitus

### Langattoman yksikön asennus

Lisävaruste

**⚠HUOMIO:** Aseta laite tasaisen ja vakaan pinnan päälle langattoman yksikön asentamiseksi.

**HUOMAUTUS:** Puhdista laitteesta pöly ja lika ennen langattoman yksikön asentamista. Pöly ja lika voivat aiheuttaa käyttöhäiriöitä päästessään langattoman yksikön uraan.

**HUOMAUTUS:** Staattisuudesta aiheutuvien käyttöhäiriöiden estämiseksi kosketa staattisesti purkautuvaa materiaalia, kuten laitteen metalliosia ennen langattoman yksikön nostamista.

**HUOMAUTUS:** Varmista aina langattoman yksikön asennuksen aikana, että langaton yksikkö on liitetty oikeassa suunnassa ja kansi on suljettu täysin kiinni.

1. Avaa laitteen kansi kuvan osoittamalla tavalla.

► Kuva44: 1. Kansi

2. Liitä langaton yksikkö uraan ja tämän jälkeen sulje kansi.

Langattoman yksikön liittämisen aikana kohdista kielekkeet uran loviosioihin.

► Kuva45: 1. Langaton yksikkö 2. Kieleke 3. Kansi 4. Loviosio

Avaa kansi hitaasti langattoman yksikön irrottamisen aikana. Kannen takana olevat koukut nostavat langattoman yksikön ylös samalla kun nostat kannen ylös.

► Kuva46: 1. Langaton yksikkö 2. Koukku 3. Kansi

Säilytä langatonta yksikköä mukana toimitetussa kotelossa tai ei staattisessa säiliössä sen irrottamisen jälkeen.

**HUOMAUTUS:** Käytä aina kannen takana olevia koukkuja langattoman yksikön irrottamisen aikana. Jos koukut eivät tartu langattomaan yksikköön, sulje kansi täysin kiinni ja avaa se hitaasti uudelleen.

### Laitteen rekisteröinti pölynimurille

**HUOMAA:** Makita pölynimuri tukee langatonta aktivointitoimintoa, joka vaaditaan laiterekisteröintiä varten.

**HUOMAA:** Viimeistelemme langattoman yksikön asennus laitteeseen ennen laiterekisteröintiä aloittamista.

**HUOMAA:** Älä paina liipaisinkytkintä tai aseta pölynimurin virtakytkintä päälle laiterekisteröinnin aikana.

**HUOMAA:** Katso lisätietoja myös pölynimurin käyttöohjeesta.

Jos haluat aktivoida pölynimurin yhdessä laitteen kytkintoiminnon kanssa, viimestele laiterekisteröinti ensin.

1. Asenna akut pölynimuriin ja laitteeseen.
2. Aseta pölynimurin valmiustilan kytkin asentoon "AUTO".

► Kuva47: 1. Valmiustilan kytkin

3. Paina pölynimurin langatonta aktivointipainiketta noin 3 sekunnin ajan, kunnes langattoman aktivoinnin merkkivalo vilkkuu vihreänä. Ja tämän jälkeen paina laitteen langatonta aktivointipainiketta samalla tavalla.

► Kuva48: 1. Langaton aktivointipainike 2. Langattoman aktivoinnin merkkivalo

Jos pölynimuri ja laite kytketään oikein, langattoman aktivoinnin merkkivalo palaa vihreänä 2 sekunnin ajan ja vilkkuu tämän jälkeen sinisenä.

**HUOMAA:** Langattoman aktivoinnin merkkivalo lopettaa vilkkumisen vihreänä 20 sekunnin kuluttua. Paina laitteen langatonta aktivointipainiketta samalla kun imurin langattoman aktivoinnin merkkivalo vilkkuu. Jos langattoman aktivoinnin merkkivalo ei vilku vihreänä, paina langatonta aktivointipainiketta lyhyesti ja pidä sitä painettuna alas.

**HUOMAA:** Suoritettaessa kaksi tai useampaa laiterekisteröintiä yhdelle pölynimurille, lopeta laiterekisteröinti yksi kerrallaan.



## Langattoman aktiivitoiminnon aloitus

**HUOMAA:** Viimeistelet laiterokisteröinti pölynimurille ennen langatonta aktiivitoimintaa.

**HUOMAA:** Katso lisätietoja myös pölynimurin käyttöohjeesta.

Kun laite on rekisteröity pölynimurille, pölynimuri toimii automaattisesti yhdessä laitteen kytkintöiminnon kanssa.

1. Langattoman yksikön asennus laitteeseen.
2. Kiinnitä pölynimurin letku laitteeseen.  
► **Kuva49**
3. Aseta pölynimurin valmiustilan kytkin asentoon "AUTO".  
► **Kuva50:** 1. Valmiustilan kytkin
4. Paina laitteen langatonta aktiivitoimintapainiketta lyhyesti. Langattoman aktiivitoiminnan merkkivalo vilkkuu sinisenä.  
► **Kuva51:** 1. Langatonta aktiivitoimintapainiketta  
2. Langattoman aktiivitoiminnan merkkivalo

5. Paina laitteen liipaisinkytkintä. Tarkasta, onko pölynimuri käynnissä samalla kun liipaisinkytkintä pidetään painettuna.

Lopeta pölynimurin langatonta aktiivitoimintaa painamalla laitteen langatonta aktiivitoimintapainiketta.

**HUOMAA:** Laitteen langattoman aktiivitoiminnan merkkivalo lopettaa vilkkumisen sinisenä, jos mitään toimintaa ei ole suoritettu 2 tunnin aikana. Tässä tapauksessa aseta pölynimurin valmiustilan kytkin asentoon "AUTO" ja paina uudelleen laitteen langatonta aktiivitoimintapainiketta.

**HUOMAA:** Pölynimuri käynnistyy/sammuu viiveellä. Käytössä on aikaviive kun pölynimuri tunnistaa laitteen kytkintöiminnon.

**HUOMAA:** Langattoman yksikön lähetysetäisyys voi vaihdella riippuen sijainnista ja ympäristön olosuhteista.

**HUOMAA:** Jos kaksi tai useampia laitteita rekisteröidään yhdelle pölynimurille, pölynimuri voi aloittaa toiminnan vaikka ei olisi painanut liipaisinkytkintä, koska toinen käyttäjä käyttää langatonta aktiivitoimintaa.

## Langattoman aktiivitoiminnan merkkivalon tilan kuvaus

- **Kuva52:** 1. Langattoman aktiivitoiminnan merkkivalo

Langattoman aktiivitoiminnan merkkivalo osoittaa langattoman aktiivitoiminnan tilan. Katso merkkivalon tilaa koskeva tarkoitus alapuolella olevasta taulukosta.

Tila	Langattoman aktiivitoiminnan merkkivalo			Kesto	Kuvaus
	Väri	 Päällä	 Vilkkuu		
Valmiustila	Sininen		2 tuntia	Pölynimurin langatonta aktiivitoimintaa käytettävissä. Merkkivalo sammuu automaattisesti jos mitään toimintaa ei ole suoritettu 2 tunnin aikana.	
			Kun laite on käynnissä.	Pölynimurin langatonta aktiivitoimintaa käytettävissä ja laite on käynnissä.	
Laiterekisteröinti	Vihreä		20 sekuntia	Valmis laiterokisteröintiä varten. Odottaa rekisteröintiä pölynimurilta.	
			2 sekuntia	Laiterekisteröinti on valmis. Langattoman aktiivitoiminnan merkkivalo vilkkuu sinisenä.	
Laiterekisteröinnin peruutus	Punainen		20 sekuntia	Valmis laiterokisteröinnin peruutukseen. Odottaa peruutusta pölynimurilta.	
			2 sekuntia	Laiterekisteröinnin peruutus on valmis. Langattoman aktiivitoiminnan merkkivalo vilkkuu sinisenä.	
Muut	Punainen		3 sekuntia	Langattomalle yksikölle syötetään virtaa ja langatonta aktiivitoimintaa käynnistyy.	
	Pois päältä	-	-	Pölynimurin langatonta aktiivitoimintaa on pysäytetty.	

## Laiterekisteröinnin peruutus pölynimurille

Suorita seuraavat toimenpiteet peruuttaessasi laiterokisteröinnin pölynimurille.

1. Asenna akut pölynimuriin ja laitteeseen.
2. Aseta pölynimurin valmiustilan kytkin asentoon "AUTO".  
► **Kuva53:** 1. Valmiustilan kytkin
3. Paina pölynimurin langatonta aktiivitoimintapainiketta 6 sekunnin ajan. Langattoman aktiivitoiminnan merkkivalo vilkkuu vihreänä ja tämän jälkeen punaisena. Tämän jälkeen paina laitteen langatonta aktiivitoimintapainiketta samalla tavalla.  
► **Kuva54:** 1. Langatonta aktiivitoimintapainiketta  
2. Langattoman aktiivitoiminnan merkkivalo

Jos peruutus suoritetaan oikein, langattoman aktiivitoiminnan merkkivalo palaa punaisena 2 sekunnin ajan ja vilkkuu tämän jälkeen sinisenä.

**HUOMAA:** Langattoman aktiivitoiminnan merkkivalo lopettaa vilkkumisen punaisena 20 sekunnin kuluttua. Paina laitteen langatonta aktiivitoimintapainiketta samalla kun imurin langattoman aktiivitoiminnan merkkivalo vilkkuu. Jos langattoman aktiivitoiminnan merkkivalo ei vilku punaisena, paina langatonta aktiivitoimintapainiketta lyhyesti ja pidä sitä painettuna alas.

## Langattoman aktivointitoiminnon vianetsintä

Tarkista laite ensin itse, ennen kuin viet sen korjattavaksi. Jos ongelmaan ei löydy ratkaisua käyttöoppaasta, älä kuitenkaan yritä purkaa työkalua osiin. Vie ota sen sijaan yhteyttä Makita-huoltoliikkeeseen. Käytä korjaamiseen aina alkuperäisiä Makita-varaosia.

Epänormaali tila	Todennäköinen syy (toimintahäiriö)	Korjaus
Langattoman aktivoinnin merkivalo ei pala/vilkuu.	Langatonta yksikköä ei ole asennettu laitteeseen. Langaton yksikkö on asennettu virheellisesti laitteeseen.	Asenna langaton yksikkö oikein.
	Langattoman yksikön liitäntä ja/tai ura on likainen.	Pyyhi langattoman yksikön liitäntä varovaisesti pölystä ja liasta ja puhdista ura.
	Laitteen langatonta aktivointipainiketta ei ole painettu.	Paina laitteen langatonta aktivointipainiketta lyhyesti.
	Pölynimurin valmiustilan kytkintä ei ole asetettu asentoon "AUTO".	Aseta pölynimurin valmiustilan kytkin asentoon "AUTO".
	Ei virransyöttöä	Syötä virtaa laitteelle ja pölynimurille.
Laiterekisteröintiä/laiterekisteröinnin peruutusta ei voi viimeistellä oikein.	Langatonta yksikköä ei ole asennettu laitteeseen. Langaton yksikkö on asennettu virheellisesti laitteeseen.	Asenna langaton yksikkö oikein.
	Langattoman yksikön liitäntä ja/tai ura on likainen.	Pyyhi langattoman yksikön liitäntä varovaisesti pölystä ja liasta ja puhdista ura.
	Pölynimurin valmiustilan kytkintä ei ole asetettu asentoon "AUTO".	Aseta pölynimurin valmiustilan kytkin asentoon "AUTO".
	Ei virransyöttöä	Syötä virtaa laitteelle ja pölynimurille.
	Virheellinen toiminta	Paina langatonta aktivointipainiketta lyhyesti ja suorita laiterekeröinti/peruutus uudelleen.
	Laite ja pölynimuri ovat kaukana toisistaan (lähetysalueen ulkopuolella).	Siirrä laite ja pölynimuri lähemmäksi toisiaan. Maksimilähetysetäisyys on noin 10 m, mutta se voi kuitenkin vaihdella olosuhteista riippuen.
	Ennen laiterekeröinnin/peruutuksen viimeistelyä; - laitteen liipaisinkytkintä on painettu tai; - pölynimurin virtakytkin on kytketty päälle.	Paina langatonta aktivointipainiketta lyhyesti ja suorita laiterekeröinti/peruutus uudelleen.
	Laiterekisteröintiä laitteelle tai pölynimurille ei ole viimeistely.	Suorita laiterekeröinti sekä laitteelle että pölynimurille samanaikaisesti.
	Muiden laitteiden aiheuttama radiohäiriö voi muodostaa erittäin voimakkaita radioaaltoja.	Pidä laite ja pölynimuri kaukana laitteista, kuten Wi-Fi-laitteet ja mikroaaltouunit.
	Pölynimuri ei toimi yhdessä laitteen kytkintöiminnon kanssa.	Langatonta yksikköä ei ole asennettu laitteeseen. Langaton yksikkö on asennettu virheellisesti laitteeseen.
Langattoman yksikön liitäntä ja/tai ura on likainen.		Pyyhi langattoman yksikön liitäntä varovaisesti pölystä ja liasta ja puhdista ura.
Laitteen langatonta aktivointipainiketta ei ole painettu.		Paina langatonta aktivointipainiketta lyhyesti ja varmista, että langattoman aktivoinnin merkivalo vilkkuu sinisenä.
Pölynimurin valmiustilan kytkintä ei ole asetettu asentoon "AUTO".		Aseta pölynimurin valmiustilan kytkin asentoon "AUTO".
Yli 10 laitetta on rekisteröity pölynimurille.		Suorita laiterekeröinti uudelleen. Jos yli 10 laitetta on rekisteröity pölynimurille, aikaisemmin rekisteröity laite peruutetaan automaattisesti.
Pölynimuri poistaa kaikki laiterekeröinnit.		Suorita laiterekeröinti uudelleen.
Ei virransyöttöä		Syötä virtaa laitteelle ja pölynimurille.
Laite ja pölynimuri ovat kaukana toisistaan (lähetysalueen ulkopuolella).		Siirrä laite ja pölynimuri lähemmäksi toisiaan. Maksimilähetysetäisyys on noin 10 m, mutta se voi kuitenkin vaihdella olosuhteista riippuen.
Muiden laitteiden aiheuttama radiohäiriö voi muodostaa erittäin voimakkaita radioaaltoja.		Pidä laite ja pölynimuri kaukana laitteista, kuten Wi-Fi-laitteet ja mikroaaltouunit.
Pölynimuri on käynnissä samalla kun liipaisinkytkintä ei paineta.		Muut käyttäjät käyttävät pölynimurin langatonta aktivointia heidän laitteillaan.

# KUNNOSSAPITO

**⚠HUOMIO:** Varmista aina ennen tarkastusta tai huoltoa, että työkalu on sammutettu ja akku irrotettu.

**HUOMAUTUS:** Älä koskaan käytä bensiiniä, ohenteita, alkoholia tai tms. aineita. Muutoin pinta voi halkeilla tai sen värit ja muoto voivat muuttua. Muutoin laitteeseen voi tulla värjäytyimiä, muodon vääristymiä tai halkeamia.

Tuotteen TURVALLISUUDEN ja LUOTETTAVUUDEN takaamiseksi korjaukset, muut huoltotyöt ja säädöt on teetettävä Makitan valtuutetussa huoltopisteessä Makitan varaosia käyttäen.

## Pölysäiliön suodattimen vaihto

### Lisävaruste

1. Irrota pölysäiliö ja paina samanaikaisesti pölysäiliön vipua.  
► **Kuva55:** 1. Vipu
2. Irrota suodatinkotelo asettamalla tasapäinen ruuvitaltta suodattimen suojuksen uriin.  
► **Kuva56:** 1. Tasapäinen ruuvitaltta 2. Suodatinkotelo
3. Irrota suodatin suodatinkotelosta.  
► **Kuva57:** 1. Suodatin 2. Suodatinkotelo
4. Aseta uusi suodatin suodatinkoteloon ja kiinnitä sitten suodatinkotelo paikalleen.
5. Sulje pölysäiliön suojuksen ja kiinnitä pölysäiliö sitten pölynkeräysjärjestelmään.

## Tiivistekorkin vaihto

### Lisävaruste

Jos tiivistekorkki on kulunut, pölynkeräysteho laskee. Vaihda, jos se on kulunut. Irrota tiivistekorkki ja kiinnitä tämän jälkeen uusi korkki sen ulkoneman osoittaessa ulospäin.  
► **Kuva58:** 1. Ulkonema 2. Tiivistekorkki

# LISÄVARUSTEET

**⚠HUOMIO:** Seuraavia lisävarusteita tai laitteita suositellaan käytettäväksi tässä ohjeessa kuvatun Makita-työkalun kanssa. Muiden lisävarusteiden tai laitteiden käyttö voi aiheuttaa henkilövahinkoja. Käytä lisävarusteita ja -laitteita vain niiden käyttötarkoituksen mukaisesti.

Jos tarvitset apua tai yksityiskohtaisempia tietoja seuraavista lisävarusteista, ota yhteys paikalliseen Makitan huoltoon.

- Kovametallikärkiset poranterät (SDS-Plus kovametallikärkiset terät)
- Poranterä
- Lattataltta
- Timanttiporanterä

- Ristitaltta
- Kuorimistaltta
- Kourutaltta
- Istukan sovitin
- Pikaistukka
- Terärasva
- Syvyystulkki
- Puhallin
- Pölykorkki
- Pölykorkkisarja
- Koukkusarja
- Pölykotelosarja
- Poranteräistukkasarja
- Suodatinsarja
- Työkalun kannatinsarja
- Liitossarja
- Pölynkeräysjärjestelmä
- Langaton yksikkö
- Aito Makitan akku ja laturi
- Suojalasit
- Muovinen kantolaukku

**HUOMAA:** Jotkin luettelossa mainitut varusteet voivat sisältyä työkalun toimitukseen vakiovarusteina. Ne voivat vaihdella maittain.

## SPECIFIKATIONER

Model:		HR001G	HR002G	HR003G	HR004G
Kapacitet	Beton	28 mm			
	Kernebit	54 mm			
	Diamantkernebit (tør type)	65 mm			
	Stål	13 mm			
	Træ	32 mm			
Hastighed uden belastning		0 - 980 min <sup>-1</sup>			
Slag pr. minut		0 - 5.000 min <sup>-1</sup>			
Mærkespænding		D.C. 36 V - 40 V maks.			
Samlet længde	med BL4025	358 mm	389 mm	358 mm	389 mm
	med BL4040	373 mm	404 mm	373 mm	404 mm
Nettovægt		3,9 - 4,6 kg	4,1 - 4,6 kg	3,9 - 4,6 kg	4,0 - 4,5 kg

### Ekstraudstyr

Model:	DX12 (For HR001G/HR003G)	DX14 (For HR002G/HR004G)
Sugeevne	350 l/min	
Driftsslaglængde	Op til 190 mm	
Passende borebit	Op til 260 mm	
Mærkespænding	D.C. 36 V - 40 V maks.	
Nettovægt	1,6 kg	

- På grund af vores kontinuerlige forsknings- og udviklingsprogrammer kan hosstående specifikationer blive ændret uden varsel.
- Specifikationer kan variere fra land til land.
- Vægten kan være anderledes afhængigt af tilbehøret, inklusive akkuen. Den letteste og tungeste kombination i henhold til EPTA-procedure 01/2014 er vist i tabellen.

### Anvendelig akku og oplader

Akku	BL4025 / BL4040
Oplader	DC40RA

- Nogle af de akkuer og opladere, der er angivet ovenfor, er muligvis ikke tilgængelige, afhængigt af hvilket område du bor i.

**⚠ ADVARSEL: Brug kun de akkuer og opladere, der er angivet ovenfor. Brug af andre akkuer og opladere kan medføre personskaade og/eller brand.**

### Tilsigtet brug

Denne maskine er beregnet til hammerboring og boring i mursten, beton og sten samt til mejslingsarbejde. Den er også egnet til boring uden slag i træ, metal, keramik og plastik.

### Støj

Det typiske A-vægtede støjniveau bestemmt i overensstemmelse med EN60745-2-6:

#### Model HR001G

Lydtryksniveau ( $L_{pA}$ ): 95 dB (A)  
 Lydeffektniveau ( $L_{WA}$ ): 106 dB (A)  
 Usikkerhed (K): 3 dB (A)

#### Model HR002G

Lydtryksniveau ( $L_{pA}$ ): 93 dB (A)  
 Lydeffektniveau ( $L_{WA}$ ): 104 dB (A)  
 Usikkerhed (K): 3 dB (A)

#### Model HR003G

Lydtryksniveau ( $L_{pA}$ ): 95 dB (A)  
 Lydeffektniveau ( $L_{WA}$ ): 106 dB (A)  
 Usikkerhed (K): 3 dB (A)

#### Model HR004G

Lydtryksniveau ( $L_{pA}$ ): 93 dB (A)  
 Lydeffektniveau ( $L_{WA}$ ): 104 dB (A)  
 Usikkerhed (K): 3 dB (A)

#### Model HR001G med DX12

Lydtryksniveau ( $L_{pA}$ ): 93 dB (A)  
 Lydeffektniveau ( $L_{WA}$ ): 104 dB (A)  
 Usikkerhed (K): 3 dB (A)

#### Model HR002G med DX14

Lydtryksniveau ( $L_{pA}$ ): 93 dB (A)  
 Lydeffektniveau ( $L_{WA}$ ): 104 dB (A)  
 Usikkerhed (K): 3 dB (A)

### Model HR003G med DX12

Lydtrykniveau ( $L_{pA}$ ): 93 dB (A)

Lydeffektniveau ( $L_{WA}$ ): 104 dB (A)

Usikkerhed (K): 3 dB (A)

### Model HR004G med DX14

Lydtrykniveau ( $L_{pA}$ ): 93 dB (A)

Lydeffektniveau ( $L_{WA}$ ): 104 dB (A)

Usikkerhed (K): 3 dB (A)

**BEMÆRK:** De(n) angivne støjemissionsværdi(er) er målt i overensstemmelse med en standardtestmetode og kan anvendes til at sammenligne en maskine med en anden.

**BEMÆRK:** De(n) angivne støjemissionsværdi(er) kan også anvendes i en præliminær eksponeringsvurdering.

**⚠ ADVARSEL:** Bær høreværn.

**⚠ ADVARSEL:** Støjemissionen under den faktiske anvendelse af maskinen kan være forskellig fra de(n) angivne værdi(er), afhængigt af den måde hvorpå maskinen anvendes, især den type arbejdssemne der behandles.

**⚠ ADVARSEL:** Sørg for at identificere de sikkerhedsforskrifter til beskyttelse af operatøren, som er baseret på en vurdering af eksponering under de faktiske brugsforhold (med hensyntagen til alle dele i brugscyklussen, f.eks. de gange, hvor maskinen er slukket, og når den kører i tomgang i tilgift til afbrydertiden).

## Vibration

Følgende tabel viser vibrationens totalværdi (tre-aksial vektorsum) bestemt i overensstemmelse med den gældende standard.

### Model HR001G

Arbejdstilstand	Vibrationsemission	Usikkerhed (K)	Gældende standard
Slagboring i beton ( $a_{h, HD}$ )	7,0 m/s <sup>2</sup>	1,5 m/s <sup>2</sup>	EN60745-2-6
Slagboring i beton med DX12 ( $a_{h, HD}$ )	7,0 m/s <sup>2</sup>	1,5 m/s <sup>2</sup>	EN60745-2-6
Mejslingsfunktion med sidehåndtag ( $a_{h, Cheq}$ )	6,5 m/s <sup>2</sup>	1,5 m/s <sup>2</sup>	EN60745-2-6
Boring i metal ( $a_{h, D}$ )	2,5 m/s <sup>2</sup> eller mindre	1,5 m/s <sup>2</sup>	EN60745-2-1

### Model HR002G

Arbejdstilstand	Vibrationsemission	Usikkerhed (K)	Gældende standard
Slagboring i beton ( $a_{h, HD}$ )	6,5 m/s <sup>2</sup>	1,5 m/s <sup>2</sup>	EN60745-2-6
Slagboring i beton med DX14 ( $a_{h, HD}$ )	6,0 m/s <sup>2</sup>	1,5 m/s <sup>2</sup>	EN60745-2-6
Mejslingsfunktion med sidehåndtag ( $a_{h, Cheq}$ )	7,5 m/s <sup>2</sup>	1,5 m/s <sup>2</sup>	EN60745-2-6
Boring i metal ( $a_{h, D}$ )	2,5 m/s <sup>2</sup>	1,5 m/s <sup>2</sup>	EN60745-2-1

### Model HR003G

Arbejdstilstand	Vibrationsemission	Usikkerhed (K)	Gældende standard
Slagboring i beton ( $a_{h, HD}$ )	7,0 m/s <sup>2</sup>	1,5 m/s <sup>2</sup>	EN60745-2-6
Slagboring i beton med DX12 ( $a_{h, HD}$ )	7,0 m/s <sup>2</sup>	1,5 m/s <sup>2</sup>	EN60745-2-6
Mejslingsfunktion med sidehåndtag ( $a_{h, Cheq}$ )	7,0 m/s <sup>2</sup>	1,5 m/s <sup>2</sup>	EN60745-2-6
Boring i metal ( $a_{h, D}$ )	2,5 m/s <sup>2</sup> eller mindre	1,5 m/s <sup>2</sup>	EN60745-2-1

### Model HR004G

Arbejdstilstand	Vibrationsemission	Usikkerhed (K)	Gældende standard
Slagboring i beton ( $a_{h, HD}$ )	6,5 m/s <sup>2</sup>	1,5 m/s <sup>2</sup>	EN60745-2-6
Slagboring i beton med DX14 ( $a_{h, HD}$ )	6,0 m/s <sup>2</sup>	1,5 m/s <sup>2</sup>	EN60745-2-6
Mejslingsfunktion med sidehåndtag ( $a_{h, Cheq}$ )	7,5 m/s <sup>2</sup>	1,5 m/s <sup>2</sup>	EN60745-2-6
Boring i metal ( $a_{h, D}$ )	2,5 m/s <sup>2</sup>	1,5 m/s <sup>2</sup>	EN60745-2-1

**BEMÆRK:** De(n) angivne totalværdi(er) for vibration er målt i overensstemmelse med en standardtestmetode og kan anvendes til at sammenligne en maskine med en anden.

**BEMÆRK:** De(n) angivne totalværdi(er) for vibration kan også anvendes i en præliminær eksponeringsvurdering.

**⚠ ADVARSEL:** Vibrationsemissionen under den faktiske anvendelse af maskinen kan være forskellig fra de(n) angivne værdi(er), afhængigt af den måde hvorpå maskinen anvendes, især den type arbejdssemne der behandles.

**⚠ ADVARSEL:** Sørg for at identificere de sikkerhedsforskrifter til beskyttelse af operatøren, som er baseret på en vurdering af eksponering under de faktiske brugsforhold (med hensyntagen til alle dele i brugscyklussen, f.eks. de gange, hvor maskinen er slukket, og når den kører i tomgang i tilgift til afbrydertiden).

## EF-overensstemmelseserklæring

### Kun for lande i Europa

EF-overensstemmelseserklæringen er inkluderet som Bilag A i denne brugsanvisning.

# SIKKERHEDSADVARSLER

## Almindelige sikkerhedsregler for el-værktøj

**⚠ ADVARSEL:** Læs alle de sikkerhedsadvarsler, instruktioner, illustrationer og specifikationer, der følger med denne maskine. Forsømmelse af at overholde alle nedenstående instruktioner kan medføre elektrisk stød, brand og/eller alvorlig personskaade.

## Gem alle advarsler og instruktioner til fremtidig reference.

Ordet "el-værktøj" i advarslerne henviser til det netforsyede (netledning) el-værktøj eller batteriforsyede (akku) el-værktøj.

## SIKKERHEDSADVARSLER FOR AKKU-BOREHAMMER

1. **Bær høreværn.** Udsættelse for støj kan medføre høreskader.
2. **Brug hjælpehåndtaget (-håndtagene), hvis sådanne følger med maskinen.** Hvis herredømmet over maskinen mistes, kan det føre til tilskadekomst.
3. **Hold maskinen i de isolerede håndtagsflader, når der udføres et arbejde, hvor det skærende tilbehør kan komme i kontakt med skjulte ledninger.** Skærende tilbehør, som kommer i kontakt med en strømførende ledning, kan bevirke, at udsatte metaldele på maskinen bliver strømførende, hvorved operatøren kan få elektrisk stød.
4. **Bær hjelm (sikkerhedshjelm), sikkerhedsbriller og/eller ansigtsskjold.** Almindelige briller eller solbriller er IKKE sikkerhedsbriller. Det anbefales desuden på det kraftigste at bære støvmaske og kraftigt polstrede handsker.
5. **Sørg for, at bittens sidder godt fast før brugen.**
6. **Maskinen er designet til at forårsage vibration ved normal brug.** Skruerne kan nemt løse sig og medføre et nedbrud eller en ulykke. Kontroller før brugen, at skruerne sidder stramt.
7. **I koldt vejr, eller hvis maskinen ikke har været anvendt i længere tid, skal du lade maskinen varme op et stykke tid ved at lade den køre i tomgang.** Derved blødgøres smøremidlet. Uden korrekt opvarmning kan det være vanskeligt at betjene hammeren.
8. **Vær altid sikker på, at De har et godt fodfæste.** Vær sikker på, at der ikke befinder sig nogen nedeunder, når maskinen anvendes i højden.
9. **Hold godt fast i maskinen med begge hænder.**
10. **Hold hænderne på afstand fra bevægelige dele.**
11. **Lad ikke maskinen køre i tomgang.** Anvend kun maskinen håndholdt.
12. **Ret ikke maskinen mod personer i nærheden, mens den kører.** Bitten kan flyve ud og forårsage alvorlig personskaade.

13. **Rør ikke ved bittens eller dele i nærheden af bittens eller arbejdsemnet umiddelbart efter brugen.** De kan være meget varme og kan forårsage forbrændinger af huden.
14. **Nogle materialer indeholder kemikalier, som kan være giftige.** Vær påpasselig med at forhindre inhalering af støv og hudkontakt. Følg materiale-leverandørens sikkerhedsdata.
15. **Sørg altid for, at der er slukket for maskinen, og at akkuen og bittens er fjernet, før du overdrager maskinen til en anden person.**
16. **Inden betjening skal du sørge for, at der ikke er nogen skjulte genstande som fx elektriske rør, vandrør eller gasrør i arbejdsområdet.** Ellers kan borebittens/mejslens muligvis røre dem, hvilket kan resultere i elektrisk stød, elektrisk lækage eller gaslækage.

## GEM DENNE BRUGSANVISNING.

**⚠ ADVARSEL:** LAD IKKE bekvemmelighed eller kendskab til produktet (opnået gennem gentagen brug) forhindre, at sikkerhedsforskrifterne for produktet nøje overholdes. MISBRUG eller forsømmelse af at følge de i denne brugsvejledning givne sikkerhedsforskrifter kan føre til, at De kommer alvorligt til skade.

## Vigtige sikkerhedsinstruktioner for akkuen

1. **Læs alle instruktioner og advarselmærkater på (1) akku-opladeren, (2) akkuen og (3) produktet, som anvender akku.**
2. **Adskil eller ændr ikke akkuen.** Det kan muligvis resultere i en brand, overdreven varme eller eksplosion.
3. **Hold straks op med anvendelsen, hvis brugstiden er blevet stærkt afkortet.** Fortsat anvendelse kan resultere i risiko for overophedning, forbrændinger og endog eksplosion.
4. **Hvis De har fået elektrolytvæske i øjnene, skal De straks skylle den ud med rent vand og derefter øjeblikkeligt søge lægehjælp.** I modsat fald kan De miste synet.
5. **Vær påpasselig med ikke at komme til at kortslutte akkuen:**
  - (1) Rør ikke ved terminalerne med noget ledende materiale.
  - (2) Undgå at opbevare akkuen i en beholder sammen med andre genstande af metal, for eksempel søm, mønter og lignende.
  - (3) Udsæt ikke akkuen for vand eller regn. Kortslutning af akkuen kan forårsage en kraftig øgning af strømmen, overophedning, mulige forbrændinger og endog værktøjstop.
6. **Opbevar ikke værktøjet og akkuen på et sted, hvor temperaturen kan nå eller overstige 50 °C.**
7. **Lad være med at brænde akkuen, selv ikke i tilfælde, hvor den har lidt alvorlig skade eller er fuldstændig udtjent.** Akkuen kan eksplodere, hvis man forsøger at brænde den.
8. **Slå ikke søm i, skær ikke i, knus, kast, tab ikke akkuen og stød ikke akkuen mod en hård genstand.** Sådant adfærd kan muligvis resultere i en brand, overdreven varme eller eksplosion.

9. Anvend ikke en beskadiget akku.
10. **De indbyggede litium-ion-batterier er underlagt lovkrav vedrørende farligt gods.**  
 Ved kommerciel transport, f.eks. af tredjeparts transportselskaber, skal særlige krav til forpakning og mærkning overholdes.  
 Ved forberedelse af udstyret til forsendelse skal du kontakte en ekspert i farligt gods. Overhold også eventuel mere detaljeret national lovgivning.  
 Tape eller tildæk åbne kontakter, og pak batteriet på en måde, så det ikke kan flytte sig rundt i pakningen.
11. **Når akkuen bortskaffes, skal du fjerne den fra maskinen og bortskaffe den på et sikkert sted. Følg de lokale love vedrørende bortskaffelsen af batterier.**
12. **Brug kun batterierne med de produkter, som Makita specificerer.** Hvis batterierne installeres i ikke-kompatible produkter, kan det medføre brand, kraftig varme, eksplosion eller udsivning af elektrolyt.
13. **Hvis maskinen ikke skal bruges i længere tid ad gangen, skal du fjerne batteriet fra maskinen.**
14. **Akkuen kan muligvis under og efter brug være varm, hvilket kan forårsage forbrændinger eller lavtemperaturforbrændinger. Vær påpasselig med håndtering af varme akkuer.**
15. **Rør ikke terminalen på maskinen straks efter brug, da den bliver varm nok til at forårsage forbrændinger.**
16. **Sørg for at spåner, støv eller jord ikke sætter sig fast inde i terminalerne, hullerne og rillerne på akkuen.** Det kan muligvis medføre dårlig ydelse eller nedbrud af maskinen eller akkuen.
17. **Medmindre maskinen understøtter brugen i nærheden af elektriske højspændingsledninger, skal du ikke anvende akkuen i nærheden af elektriske højspændingsledninger.** Det kan muligvis medføre funktionsfejl på eller nedbrud af maskinen eller akkuen.

## GEM DENNE BRUGSANVISNING.

**⚠FORSIGTIG:** Brug kun originale batterier fra Makita. Brug af uoriginale Makita-batterier, eller batterier som er blevet ændret, kan muligvis medføre brud på batteriet, hvilket kan forårsage brand, personskade eller beskadigelse. Det ugyldiggør også Makita-garantien for Makita-maskinen og opladeren.

## Tips til opnåelse af maksimal akku-levetid

1. **Oplad akkuen, inden den er helt afladet. Stop altid værktøjet, og oplad akkuen, hvis De bemærker, at værktøjeffekten er aftagende.**
2. **Genoplad aldrig en fuldt opladet akku. Overopladning vil afkorte akkuens levetid.**
3. **Oplad akkuen ved stuetemperatur ved 10 °C - 40 °C. Lad altid en varm akku få tid til at køle af, inden den oplades.**
4. **Når du ikke anvender akkuen, skal du fjerne den fra maskinen eller opladeren.**
5. **Oplad akkuen, hvis De ikke skal bruge den i længere tid (mere end seks måneder).**

## Vigtige sikkerhedsinstruktioner for trådløs enhed

1. **Undlad at adskille eller ændre den trådløse enhed.**
2. **Opbevar den trådløse enhed utilgængeligt for små børn. Søg øjeblikkeligt læge, hvis den sluges ved et uheld.**
3. **Brug kun den trådløse enhed sammen med maskiner fra Makita.**
4. **Udsæt ikke den trådløse enhed for regn eller våde omgivelser.**
5. **Brug ikke den trådløse enhed på steder, hvor temperaturen overskrider 50 °C.**
6. **Brug ikke den trådløse enhed i nærheden af medicinske instrumenter som f.eks. pacemakere.**
7. **Brug ikke den trådløse enhed i nærheden af automatiske enheder.** Hvis den bruges, kan automatiske enheder udvikle fejlfunktion eller fejl.
8. **Undlad at betjene den trådløse enhed på steder med høje temperaturer eller steder, hvor der kan genereres statisk elektricitet eller elektrisk støj.**
9. **Den trådløse enhed kan frembringe elektromagnetiske felter (EMF), men de er ikke skadelige for brugeren.**
10. **Den trådløse enhed er et præcisionsinstrument. Undgå at tabe eller slå på den trådløse enhed.**
11. **Undgå at berøre terminalen på den trådløse enhed med de bare hænder eller metalliske materialer.**
12. **Tag altid batteriet ud af produktet, når den trådløse enhed monteres på det.**
13. **Når låget på åbningen åbnes, skal du undgå steder, hvor der kan komme støv eller vand ind i åbningen. Hold altid indgangen til åbningen ren.**
14. **Indsæt altid den trådløse enhed i den rigtige retning.**
15. **Undgå at trykke for hårdt på den trådløse aktiveringsknap på den trådløse enhed og/eller at trykke på knappen med en genstand med en skarp kant.**
16. **Luk altid låget på åbningen under brug.**
17. **Undlad at fjerne den trådløse enhed fra åbningen, når der er sluttet strøm til maskinen.** Hvis du gør dette, kan det medføre funktionsfejl i den trådløse enhed.
18. **Undlad at fjerne etiketten på den trådløse enhed.**
19. **Undlad at sætte nogen etiket på den trådløse enhed.**
20. **Lad ikke den trådløse enhed ligge på steder, hvor der kan genereres statisk elektricitet eller elektrisk støj.**
21. **Lad ikke den trådløse enhed ligge på steder, der er udsat for høj varme, for eksempel en bil, der står i solen.**
22. **Lad ikke den trådløse enhed ligge på et sted med støv eller pulver eller på et sted, hvor der kan udvikles ætsende gas.**



23. En pludselig temperaturændring kan forårsage dug på den trådløse enhed. Brug ikke den trådløse enhed, før duggen er tørret helt bort.
24. Ved rengøring af den trådløse enhed skal den aftørres forsigtigt med en tør, blød klud. Brug ikke rensebenzin, fortynder, ledende fedtstof eller lignende.
25. Ved opbevaring af den trådløse enhed skal den opbevares i den medfølgende æske eller i en beholder, der er fri for statisk elektricitet.
26. Indsæt ikke andre enheder end den trådløse enhed fra Makita i åbningen på maskinen.
27. Undlad at bruge maskinen, hvis låget til åbningen er beskadiget. Vand, støv og snavs, der kommer ind i åbningen, kan forårsage fejlfunktion.
28. Undlad at trække og/eller vride låget til åbningen mere end nødvendigt. Sæt låget på igen, hvis det falder af maskinen.
29. Udskift låget til åbningen, hvis det bliver væk eller ødelægges.

## GEM DISSE FORSKRIFTER.

## FUNKTIONSBESKRIVELSE

**⚠ FORSIGTIG:** Sørg altid for at maskinen er slukket, og at akkuen er taget ud, før der udføres justering eller kontrol af funktioner på maskinen.

### Isætning eller fjernelse af akkuen

**⚠ FORSIGTIG:** Sluk altid for værktøjet, før De monterer eller fjerner akkuen.

**⚠ FORSIGTIG:** Hold værktøjet og akkuen fast ved montering eller fjernelse af akkuen. Hvis De ikke holder værktøjet og akkuen fast, kan de glide ud af hænderne på Dem og forårsage beskadigelse af værktøjet og akkuen eller personskaade.

► Fig.1: 1. Rød indikator 2. Knap 3. Akku

Akkuen fjernes ved, at De trækker den ud af værktøjet, idet De skyder knappen på forsiden af akkuen i stilling.

Akkuen monteres ved, at De sætter tungen på akkuen ud for noten i kabinetet og lader den glide på plads. Sæt den hele vejen ind, så den låses på plads med et lille klik. Hvis den røde indikator på oversiden af knappen er synlig, betyder det, at den ikke er tilstrækkeligt låst.

**⚠ FORSIGTIG:** Monter altid akkuen helt, indtil den røde indikator ikke længere er synlig. Hvis dette ikke gøres, kan den falde ud af værktøjet ved et uheld, hvorved De selv eller personer i nærheden kan komme til skade.

**⚠ FORSIGTIG:** Brug ikke magt ved montering af akkuen. Hvis akkuen ikke glider på plads uden problemer, betyder det, at den ikke sættes i på korrekt vis.

## Indikation af den resterende batteriladning

Tryk på kontrolknappen på akkuen for at få vist den resterende batteriladning. Indikatorlampen lyser i nogle sekunder.

► Fig.2: 1. Indikatorlamper 2. Kontrolknap

Indikatorlamper			Resterende ladning
Tændt	Slukket	Blinker	
■ ■ ■ ■			75% til 100%
■ ■ ■ □			50% til 75%
■ ■ □ □			25% til 50%
■ □ □ □			0% til 25%
▬ □ □ □			Genoplad batteriet.
■ ■ □ □			Der er muligvis fejl i batteriet.
□ □ ■ ■			

**BEMÆRK:** Afhængigt af brugsforholdene og den omgivende temperatur kan indikationen afvige en smule fra den faktiske ladning.

## Beskyttelsessystem til værktøj/batteri

Maskinen er udstyret med et beskyttelsessystem til maskinen/batteriet. Dette system afbryder automatisk strømmen til motoren for at forlænge maskinens og batteriets levetid. Maskinen stopper automatisk under brugen, hvis maskinen eller batteriet udsættes for et af følgende forhold:

### Overbelastningsbeskyttelse

Hvis batteriet bruges på en måde, der får det til at trække en unormalt høj strøm, stopper maskinen automatisk uden indikation. Sluk i så fald for maskinen, og stop den anvendelse, der medførte overbelastningen af maskinen. Tænd derefter for maskinen for at starte igen.

### Beskyttelse mod overophedning

Hvis maskinen eller batteriet bliver overophedet, stopper maskinen automatisk. Lad i så fald maskinen og batteriet køle ned, før der tændes for maskinen igen.

**BEMÆRK:** Når maskinen er overophedet, blinker lampen.

### Beskyttelse mod overafledning

Når batteriladningen er utilstrækkelig, stopper maskinen automatisk. Tag i så fald akkuen ud af maskinen, og oplad akkuen.



## Afbryderbetjening

**⚠ ADVARSEL:** Inden akkuen sættes i maskinen, bør De altid kontrollere, at afbryderknappen fungerer korrekt, og returnerer til "OFF"-positionen, når den slippes.

► Fig.3: 1. Afbryderknop

For at starte maskinen trykkes der blot på afbryderknappen. Maskinens hastighed øges ved at øge trykket på afbryderknappen. Slip afbryderknappen for at stoppe.

## Hastighedsændring

Omdrejningstallet og antal slag pr. minut kan ændres ved at dreje på justeringsdrejeknappen. Drejeknappen er markeret 1 (laveste hastighed) til 5 (fuld hastighed).

► Fig.4: 1. Justeringsdrejeknap

Se tabellen nedenfor vedrørende forholdet mellem nummeret på justeringsdrejeknappen og antallet af omdrejninger og slag pr. minut.

Nummer	Omdrejninger pr. minut	Slag pr. minut
5	980	5.000
4	870	4.440
3	630	3.210
2	380	1.940
1	300	1.530

**⚠ FORSIGTIG:** Undlad at dreje justeringsdrejeknappen, når maskinen kører. Hvis du ikke overholder dette, kan det medføre tab af kontrollen med maskinen og forårsage personskade.

**BEMÆRKNING:** Hvis maskinen anvendes kontinuerligt ved lav hastighed i længere tid ad gangen, bliver motoren overbelastet med funktionsforstyrrelser til følge.

**BEMÆRKNING:** Justeringsdrejeknappen for hastighed kan kun drejes så langt som til 5 og tilbage til 1. Undlad at tvinge den forbi 5 eller 1, da hastighedsvælgerfunktionen muligvis ellers ikke længere vil fungere.

**BEMÆRK:** Funktion til blød rotation uden belastning (for HR001G/HR002G)

Når hastighedsdrejeknappen er indstillet til "4" eller højere, reducerer maskinen automatisk hastigheden, når den kører uden belastning, for at reducere vibrationen ved kørsel uden belastning. Når brugen starter med en bit mod beton, øges antallet af slag pr. minut og når de tal, der fremgår af tabellen. Når temperaturen er lav, og fedtstof er mindre tyndflydende, har maskinen muligvis ikke denne funktion, selv når motoren kører.

## Tænding af lampen foran

► Fig.5: 1. Lampe

**⚠ FORSIGTIG:** Kig aldrig direkte på lyskilden. Lad ikke lyset falde i Deres øjne.

Tryk afbryderknappen ind for at tænde for lampen. Lampen fortsætter med at lyse, så længe afbryderknappen trykkes ind. Lampen slukkes omkring 10 sekunder efter at afbryderknappen er udløst.

**⚠ FORSIGTIG:** For HR001G/HR002G

Hvis lampen slukkes efter at have blinket i nogle sekunder, fungerer teknologien til aktiv registrering af feedback ikke korrekt. Kontakt det lokale Makita servicecenter for reparation.

**BEMÆRK:** Brug en tør klud til at tørre snavset af lampens linse. Pas på ikke at ridses lampens linse, da dette muligvis kan dæmpe belysningen.

**BEMÆRK:** Hvis systemet til støvopsamling er installeret på maskinen, lyser lampen på systemet til støvopsamling i stedet for lampen på maskinen.

## Omløbsvælgerbetjening

► Fig.6: 1. Omløbsvælger

**⚠ FORSIGTIG:** Kontrollér altid omløbsretningen, inden arbejdet påbegyndes.

**⚠ FORSIGTIG:** Flyt kun omløbsvælgeren, når maskinen er helt standset. Hvis omløbsretningen ændres, inden maskinen er helt stoppet, kan det beskadige maskinen.

**⚠ FORSIGTIG:** Sæt altid omløbsvælgeren i neutral stilling, når maskinen ikke anvendes.

Denne maskinen har en omløbsvælger til at skifte omløbsretning. Skub omløbsvælgeren ind fra A-siden for omdrejning med uret, og fra B-siden for omdrejning mod uret. Når omløbsvælgeren er i neutral stilling, kan afbryderknappen ikke trykkes ind.



## Udskiftning af patron til hurtigskift til SDS-plus

### For HR002G/HR004G

Det er let at skifte patronen til hurtigskift til SDS-plus ud med borepatronen til hurtigskift.




### Fjernelse af patronen til hurtigskift til SDS-plus

**⚠ FORSIGTIG:** Sørg altid for at fjerne bittens, før patronen til hurtigskift til SDS-plus fjernes.

Tag fat i skifteholderen på patronen til hurtigskift til SDS-plus, og drej den i pilens retning, indtil skifteholderlinjen flytter sig fra -symbolet til -symbolet. Træk kraftigt i pilens retning.

► Fig.7: 1. Patron til hurtigskift til SDS-plus  
2. Skifteholder 3. Skifteholderlinje

## Montering af borepatronen til hurtigskift

Kontroller, at linjen på borepatronen til hurtigskift viser -symbolet. Tag fat i skifteholderen på borepatronen til hurtigskift, og indstil linjen til -symbolet. Sæt borepatronen til hurtigskift på maskinens spindel. Tag fat i skifteholderen på borepatronen til hurtigskift, og drej skifteholderlinjen til -symbolet, indtil der høres et tydeligt klik.


- **Fig.8:** 1. Borepatron til hurtigskift 2. Spindel  
3. Skifteholderlinje 4. Skifteholder

## Valg af funktionsmåden

**BEMÆRKNING:** Undlad at dreje omskifterknappen til ændring af funktionsmåde, mens maskinen kører. Maskinen vil blive beskadiget.


**BEMÆRKNING:** For at undgå hurtigt slid på mekanismen til funktionsskift skal du sikre dig, at omskifterknappen til ændring af funktionsmåde altid er forsvarligt placeret i en af de tre funktionspositioner.

## Rotation med hamring

Ved boring i beton, murværk osv. skal omskifterknappen til ændring af funktionsmåde drejes til -symbolet. Brug en bit med tungstenkarbidspids (ekstraudstyr).

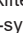
- **Fig.9:** 1. Rotation med hamring 2. Omskifterknapp til ændring af funktionsmåde

## Kun rotation

Ved boring i træ, metal eller plastikmaterialer skal omskifterknappen til ændring af funktionsmåde drejes til -symbolet. Brug en snegleborsbit eller en træborsbit.

- **Fig.10:** 1. Kun rotation

## Kun hamring

Til mejslings-, afbanknings- eller nedrivningsformål skal omskifterknappen til ændring af funktionsmåde drejes til -symbolet. Brug en spidshammer, koldmejsel, afbankningsmejsel osv.

- **Fig.11:** 1. Kun hamring

## Krog

**▲FORSIGTIG:** Tag altid batteriet ud, når du hænger maskinen på krogen.

**▲FORSIGTIG:** Hæng aldrig maskinen på et højt sted eller på en potentielt ustabil overflade.

Krogen er praktisk til midlertidig ophængning af maskinen.

For at benytte krogen skal du blot løfte krogen opad, indtil den klikker på plads i den åbne stilling. Sænk altid krogen, indtil den klikker på plads i den lukkede stilling, når den ikke benyttes.

- **Fig.12:** 1. Krog

- **Fig.13**

## Montering af tøjresnor (sikkerhedsline) på krogen

**▲FORSIGTIG:** Brug ikke en beskadiget krog og skruer. Før brugen skal du altid se efter skader, revner eller deformationer og sikre dig, at skrueerne er strammet.

**▲FORSIGTIG:** Sørg for, at krogen er monteret ordentligt med skrueerne.

**▲FORSIGTIG:** Undlad at fjerne akkuen, når maskinen er hængt op. Maskinen kan falde ned, hvis skrueerne ikke er tilspændt.

**▲FORSIGTIG:** Brug altid en låsekarabinhage (flerfunktions- og skrueporttype) og sørg for at tøjresnoren (sikkerhedsline) monteres til den del af krogen med den dobbelte løkke. Forkert montering kan muligvis medføre, at maskinen falder af krogen og resultere i personskaade.

Krogen anvendes også til tilslutning af tøjresnoren (sikkerhedsline) til den del af krogen med den dobbelte løkke.

- **Fig.14:** 1. Del af krogen med dobbelt løkke 2. Tøjresnor (sikkerhedsline)  
3. Låsekarabinhage (flerfunktions- og skrueporttype)

## Justering af positionen af studsen på systemet til støvopsamling

### Ekstraudstyr

Tryk styret ind, idet styrjusteringsknappen skubbes opad, og slip derefter knappen i den ønskede position.

- **Fig.15:** 1. Styr 2. Styrjusteringsknapp

**BEMÆRK:** Før du justerer studsens position, skal du slippe studsen helt frem ved at skubbe styrjusteringsknappen opad.

Hvis der er installeret en lang borebit, skal du forlænge styret ved at skubbe forlængerknappen opad.

- **Fig.16:** 1. Forlængerknapp

## Justering af boreddyden på systemet til støvopsamling

### Ekstraudstyr

Flyt dybdejusteringsknappen til den ønskede position, idet den skubbes opad. Afstanden (A) er boreddyden.

- **Fig.17:** 1. Dybdejusteringsknapp

## Momentbegrænsere

**BEMÆRKNING:** Så snart momentbegrænsere udløses, skal du med det samme slukke for maskinen. Dette hjælper med til at forhindre, at maskinen nedslides for tidligt.

**BEMÆRKNING:** Borebits som f.eks. hulsave, der nærmest kommer i klemme eller sætter sig fast i hullet, er ikke egnede til brug sammen med denne maskine. Dette skyldes, at de vil få momentbegrænsere til at blive udløst for tit.

Momentbegrænsere udløses, når et vist momentniveau nås. Motoren vil koble fra udgangsaksen. Når dette sker, holder borebitten op med at dreje rundt.

## Elektronisk funktion

Maskinen er udstyret med elektroniske funktioner for nem betjening.

- Konstant hastighedskontrol  
Funktionen til hastighedskontrol sørger for konstant rotationshastighed uanset belastningsforholdene.
- Teknologi til aktiv registrering af feedback (for HR001G/HR002G)  
Hvis maskinen svinges med den forudbestemte acceleration under brugen, stoppes motoren med magt for at reducere belastningen af håndledet.

**BEMÆRK:** Denne funktion fungerer ikke, hvis accelerationen ikke når den forudbestemte værdi, når maskinen svinges.

**BEMÆRK:** Hvis bittén svinges med den forudbestemte acceleration under mejsling, afbankning eller nedrivning, stoppes motoren med magt. Slip i så fald afbryderknappen, og tryk på afbryderknappen for at starte maskinen igen.

## SAMLING

**⚠FORSIGTIG:** Sørg altid for at maskinen er slukket, og at akkuen er taget ud, før der udføres noget arbejde på maskinen.

## Sidehåndtag (ekstra håndtag)

**⚠FORSIGTIG:** Brug altid sidehåndtaget for sikker betjening.

**⚠FORSIGTIG:** Efter montering eller justering af sidehåndtaget skal du sikre dig, at sidehåndtaget er sikkert fastgjort.

Følg nedenstående fremgangsmåde for at montere sidehåndtaget.

1. Løsn fingerskruen på sidehåndtaget.

► **Fig.18:** 1. Fingerskrue

2. Monter sidehåndtaget, idet der trykkes på fingerskruen, så rillerne på håndtaget passer i fremspringene på maskincylindern.

► **Fig.19:** 1. Fingerskrue

3. Stram fingerskruen for at fastgøre håndtaget. Håndtaget kan fastgøres i den ønskede vinkel.

## Fedtstof

Dæk skaftenden af borebitten med en lille smule fedtstof (cirka 0,5 - 1 g) på forhånd.  
Denne smøring af patronen sikrer en jævn funktion og længere levetid.

## Montering eller afmontering af borebitten

Renngør skaftenden på borebitten, og påsmør fedtstof, før borebitten monteres.

► **Fig.20:** 1. Skaftende 2. Fedtstof

Sæt borebitten i maskinen. Drej borebitten, og tryk den ind, indtil den griber fat.

Efter montering af borebitten skal du altid sikre dig, at borebitten sidder godt fast, ved at forsøge at trække den ud.

► **Fig.21:** 1. Borebit

For at fjerne borebitten skal du trække patrondækslet helt ned og derefter trække borebitten ud.

► **Fig.22:** 1. Borebit 2. Patrondæksel

## Vinkel på mejsel (under mejsling, afbankning eller nedrivning)

Mejslen kan fastgøres i den ønskede vinkel. Hvis du vil ændre vinklen på mejslen, skal du dreje omskifterknappen til ændring af funktionsmåde til O-symbolet. Drej mejslen til den ønskede vinkel.

► **Fig.23:** 1. Omskifterknop til ændring af funktionsmåde

Drej omskifterknappen til ændring af funktionsmåde til  $\bar{U}$ -symbolet. Sørg derefter for, at mejslen sidder fast på plads, ved at dreje den en smule.

## Dybdemåler

Dybdemåleren er praktisk til at bore huller med den samme dybde.

Tryk på og hold låseknappen, og indsæt derefter dybdemåleren i det sekskantede hul. Sørg for, at dybdemålerens side med tænderne vender mod mærket.

► **Fig.24:** 1. Dybdemåler 2. Låseknop 3. Mærke 4. Side med tænder

Juster dybdemåleren ved at flytte den frem og tilbage, idet der trykkes på låseknappen. Slip låseknappen efter justeringen for at låse dybdemåleren fast.

**BEMÆRK:** Sørg for, at dybdemåleren ikke berører maskinens kabinet, når den monteres.

## Montering eller fjernelse af systemet til støvopsamling

### Ekstraudstyr

For at montere systemet til støvopsamling skal du sætte maskinen hele vejen ind i systemet til støvopsamling, indtil den låses på plads med et lille dobbelt klik.

► **Fig.25**

Hvis du vil fjerne systemet til støvopsamling, skal du trække i maskinen, idet der trykkes på lås fra-knappen.

► **Fig.26:** 1. Lås fra-knap

## Støvopsamler

### Ekstraudstyr

Brug støvopsamleren til at undgå, at støv falder ned over maskinen og dig selv, når du borer over hovedet på dig selv. Monter støvopsamleren på bittens som vist i figuren. Størrelsen af de bits, som støvopsamleren kan monteres på, er som følger.

Model	Bitdiameter
Støvopsamler 5	6 mm - 14,5 mm
Støvopsamler 9	12 mm - 16 mm

► **Fig.27:** 1. Støvopsamler

## Støvopsamlersæt

### Ekstraudstyr

Tag bittens ud af maskinen, hvis den er monteret, før støvopsamlersættet monteres.

Monter støvopsamlersættet på maskinen, så  $\Delta$ -symbolet på støvopsamleren er justeret i forhold til rillen på maskinen.

► **Fig.28:** 1.  $\Delta$  symbol 2. Rille

**BEMÆRK:** Hvis du forbinder en støvsuger til støvopsamlersættet, skal du fjerne støvhætten, før du tilslutter den.

► **Fig.29:** 1. Støvhætte

Hvis du vil afmontere støvopsamlersættet, skal du fjerne bittens, idet du trækker patrondækslet i pilens retning.

► **Fig.30:** 1. Bit 2. Patrondæksel

Hold i roden af støvopsamleren, og træk den ud.

► **Fig.31**

**BEMÆRK:** Hvis hættens falder af støvopsamleren, skal du montere den med den trykte side opad, så rillen på hættens passer i den indvendige kant af tilbehørsdelen.

► **Fig.32**

## ANVENDELSE

**⚠FORSIGTIG:** Brug altid sidehåndtaget (ekstra håndtag), og hold godt fast i maskinen i både sidehåndtaget og omskifterhåndtaget under brug.

**⚠FORSIGTIG:** Sørg altid for, at arbejdsemnet er fastgjort før anvendelsen.

**⚠FORSIGTIG:** Undlad at trække maskinen ud med magt, selvom bittens sætter sig fast. Tab af kontrollen kan medføre personskaade.

**⚠FORSIGTIG:** Systemet til støvopsamling er kun beregnet til boring i beton. Brug ikke systemet til støvopsamling til boring i metal eller lignende.

**⚠FORSIGTIG:** Når maskinen bruges sammen med systemet til støvopsamling, skal du sørge for at montere filteret på systemet til støvopsamling for at undgå at indånde støv.

**⚠FORSIGTIG:** Før du bruger systemet til støvopsamling, skal du kontrollere, at filteret ikke er beskadiget. Hvis du ikke gør dette, kan det medføre indånding af støv.

**⚠FORSIGTIG:** Systemet til støvopsamling indsamler det genererede støv med stor hastighed, men ikke alt støv kan opsamles.

**BEMÆRKNING:** Brug ikke systemet til støvopsamling til boring med kerne eller mejsling.

**BEMÆRKNING:** Brug ikke systemet til støvopsamling til boring i våd beton, og brug ikke systemet i våde omgivelser. Undladelse af dette kan medføre fejlfunktion.

**BEMÆRK:** Hvis akkuen har lav temperatur, kan maskinen muligvis ikke opnå sin fulde kapacitet. Varm i så fald akkuen op ved at bruge maskinen uden belastning et stykke tid for at nå maskinens fulde kapacitet.

► **Fig.33**

## Hammerboring

**⚠FORSIGTIG:** Maskinen/borebittens udsættes for kraftig og pludselig vridning på det tidspunkt, hvor der brydes igennem hullet, når hullet bliver tilstoppet med spåner og partikler, eller hvis forstærkningsrørene i betonen rammes. **Brug altid sidehåndtaget (ekstra håndtag), og hold godt fast i maskinen i både sidehåndtaget og omskifterhåndtaget under brug.** Hvis du ikke gør dette, kan det medføre tab af kontrollen og risiko for alvorlig personskaade.


Indstil omskifterknappen til ændring af funktionsmåde til  $\mathbb{T}$ -symbolet.

Anbring borebittens på det ønskede sted, hvor hullet skal være, og tryk derefter afbryderknappen ind. Anvend ikke magt på maskinen. Et let tryk giver det bedste resultat. Hold maskinen i stilling, og sørg for at forhindre, at den glider væk fra hullet.

Udøv ikke et større tryk, når hullet bliver tilstoppet af spåner eller partikler. Kør i stedet maskinen i tomgang, og fjern derefter borebittens delvist fra hullet. Ved at gentage dette flere gange vil hullet blive rensset ud, og normal boring kan genoptages.

**BEMÆRK:** Der kan forekomme excentricitet i borebittens rotation, når maskinen betjenes uden belastning. Maskinen centrerer automatisk sig selv under brug. Dette har ikke betydning for præcisionen under boring.

## Mejsling/afbankning/nedrivning

Indstil omskifterknappen til ændring af funktionsmåde til -symbolet.  
Hold godt fast i maskinen med begge hænder. Tænd for maskinen, og tryk let på maskinen, så den ikke kommer ud af kontrol.  
Effektiviteten forøges ikke ved at trykke meget hårdt på maskinen.

► Fig.34

## Boring i træ eller metal

**⚠FORSIGTIG:** Hold godt fast i maskinen og udvis forsigtighed, når borebitten begynder at bryde igennem arbejdsstykket. Maskinen/borebitten udsættes for en kraftig påvirkning på det tidspunkt, hvor der brydes igennem hullet.


**⚠FORSIGTIG:** En borebit, der har sat sig fast, kan fjernes ved at man ganske enkelt sætter omløbsvælgeren til baglæns rotation for at bakke ud. Imidlertid kan maskinen pludselig bakke ud, hvis man ikke holder godt fast i den.

**⚠FORSIGTIG:** Fastgør altid arbejdsemner i en skruestik eller lignende udstyr til fastgørelse.

**BEMÆRKNING:** Brug aldrig "rotation med hamring", når borepatronen er monteret på maskinen. Borepatronen kan blive beskadiget.

Borepatronen vil desuden blive frigjort, når maskinen kører baglæns.

**BEMÆRKNING:** Et kraftigere tryk på maskinen vil ikke gøre boringen hurtigere. Faktisk vil et kraftigere tryk kun føre til skade på spidsen af borebitten, nedsætte maskinen ydelse og afkorte maskinens levetid.

Indstil omskifterknappen til ændring af funktionsmåde til -symbolet.

## For HR001G/HR003G

### Ekstraudstyr

Monter patronadapteren på en nøglefri borepatron, hvor der kan monteres en skrue i størrelse 1/2"-20, og monter dem derefter på maskinen. Se afsnittet "Isætning eller fjernelse af borebit" under monteringen.

► Fig.35: 1. Nøglefri borepatron 2. Patronadapter

## For HR002G/HR004G

Brug borepatronen til hurtigskift som standardudstyr. Se under "Udskiftning af patron til hurtigskift til SDS-plus" under monteringen.


Hold i ringen, og drej muffen i retningen mod uret for at åbne patronkæberne. Sæt bittens så langt ind i patronen, som den kan komme. Hold godt fast i ringen, og drej muffen i retningen med uret for at stramme patronen.

► Fig.36: 1. Muffe 2. Ring

Hold fast i ringen, og drej muffen i retningen mod uret for at fjerne bittens.

## Boring med diamantkerne

**BEMÆRKNING:** Hvis der bores med diamantkerne med indstillingen "rotation med hamring", kan diamantkernebitten blive beskadiget.

Når der bores med diamantkerne, skal omskifterknappen til ændring af funktionsmåde altid indstilles til -positionen for at benytte funktionsmåden "kun rotation".

## Afbankning af støv på filteret

### Ekstraudstyr

**⚠FORSIGTIG:** Drej ikke drejeknappen på støvbakken, mens støvbakken er fjernet fra systemet til støvopsamling. Gør du det, kan du komme til at inhalere støvet.

**⚠FORSIGTIG:** Sluk altid maskinen, mens du drejer drejeknappen på støvbakken. Hvis du drejer drejeknappen, mens maskinen kører, kan det medføre, at du mister kontrollen over maskinen.

Hvis du banker støvet af filteret i støvbakken, kan du holde støvsugerens effektiv og reducerer, hvor ofte du skal bortskaffe støvet.

Drej på drejeknappen på støvbakken tre gange efter opsamling af hver 50.000 mm<sup>3</sup> støv, eller når du føler, at støvsugerens ydelse er forringet.

**BEMÆRK:** 50.000 mm<sup>3</sup> støv svarer til at bore 10 huller på ø10 mm og 65 mm dybde (14 huller på ø3/8" og 2" dybde).

► Fig.37: 1. Støvbakke 2. Drejeknap

## Bortskaffelse af støv

### Ekstraudstyr

**⚠FORSIGTIG:** Sørg altid for at maskinen er slukket, og at akkuen er taget ud, før der udføres noget arbejde på maskinen.

**⚠FORSIGTIG:** Sørg for at bære støvmaske, når du bortskaffer støv.

**⚠FORSIGTIG:** Tøm støvbakken regelmæssigt, før den bliver fuld. Hvis du ikke gør dette, kan det reducere ydelsen af støvopsamlingen og medføre indånding af støv.

**⚠FORSIGTIG:** Ydelsen af støvopsamlingen reduceres, hvis filteret i støvbakken bliver tilstoppet. Udskift som tommelfingerregel filteret med et nyt efter cirka 200 støvtømninger. Hvis du ikke gør dette, kan det medføre indånding af støv.

1. Fjern støvbakken, idet der trykkes ned på håndtaget på støvbakken.

► Fig.38: 1. Håndtag

2. Åbn dækslet på støvbakken.

► Fig.39: 1. Dæksel

3. Bortskaf støvet, og rengør derefter filteret.

► Fig.40

**BEMÆRKNING:** Når filteret renses, skal du banke let med hånden på filterets hus for at fjerne støv. Bank ikke direkte på filteret. Berør filteret med en børste eller lignende eller blæs komprimeret luft på filteret. Hvis du gør dette, kan det beskadige filteret.

## Udblæsningskolbe

### Ekstraudstyr

Når hullet er boret, skal du bruge udblæsningskolben til at fjerne støv fra hullet.

► Fig.41

## Brug af støvopsamlersættet

### Ekstraudstyr

Monter støvopsamlersættet mod loftet under betjening af maskinen.

► Fig.42

**BEMÆRKNING:** Brug ikke støvopsamlersættet, når du borer i metal eller lignende. Dette kan beskadige støvopsamlersættet på grund af den varme, som fint metalstøv eller lignende frembringer.

**BEMÆRKNING:** Undlad at montere eller fjerne støvopsamlersættet, mens borebitten er monteret på maskinen. Dette kan beskadige støvopsamlersættet og forårsage lækage af støv.

## Montering af tøjresnor (sikkerhedslinje) på kroge

⚠ Specifikke sikkerhedsadvarsler for brug på høje steder

Læs alle sikkerhedsadvarsler og instruktioner. Hvis alle advarsler og instruktioner ikke følges, kan det medføre alvorlig personskade.

1. Hold altid maskinen tøjret, når du arbejder "i højden". Den maksimale længde af tøjresnoren er 2 m. Den maksimale tilladelige faldhøjde for tøjresnoren (sikkerhedslinjen) må ikke overstige 2 m.
2. Brug kun sammen med tøjresnore, der passer til denne maskintype og er normeret til mindst 8,0 kg.
3. Undlad at forankre maskinens tøjresnor til nogen del af din krop eller til bevægelige komponenter. Fastgør maskinens tøjresnor til en fast struktur, som kan modstå kraften af en maskine, der tabes.
4. Sørg for, at tøjresnoren er korrekt fastgjort i begge ender før brugen.
5. Inspicer maskinen og tøjresnoren før hver gang, den bruges, for beskadigelser og korrekt funktion (inklusive stof og sammenhæftning). Undlad brug, hvis de er beskadiget eller ikke fungerer korrekt.
6. Undlad at vikle tøjresnore omkring skarpe eller ru kanter eller at lade dem komme i kontakt med disse.

7. Fastgør den anden ende af tøjresnoren uden for arbejdsområdet, så en nedfaldende maskine fastholdes sikkert.
8. Fastgør tøjresnoren på en sådan måde, at maskinen vil bevæge sig væk fra operatøren, hvis den falder ned. Tabte maskiner vil svinge i tøjresnoren, hvilket kan medføre personskade eller tab af balancen.
9. Undlad brug i nærheden af dele i bevægelse eller maskiner, der kører. Hvis du ikke gør dette, kan det medføre risiko for knusning eller indvikling.
10. Undlad at bære maskinen ved at holde i monteringsenheden eller tøjresnoren.
11. Overfør kun maskinen mellem dine hænder, når du har korrekt balance.
12. Undlad at fastgøre tøjresnore til maskinen på en måde, der forhindrer kontakter eller afbryderlåsen (hvis de medfølger) i at fungere korrekt.
13. Undgå at blive viklet ind i tøjresnoren.
14. Hold tøjresnoren væk fra maskinens boreområde.
15. Brug en låsekarabinhage (flerfunktions- og skruporttype). Brug ikke karabinhager med enkeltfunktions fjederklemmer.
16. Hvis maskinen tabes, skal den mærkes og tages ud af tjeneste og inspiceres af en Makita-fabrik eller et autoriseret servicecenter.

## TRÅDLØS AKTIVERINGSFUNKTION

Ekstraudstyr til HR001G/HR002G

### Hvad kan du foretage dig med den trådløse aktiveringsfunktion

Den trådløse aktiveringsfunktion muliggør ren og behagelig anvendelse. Hvis der slutes en understøttet støvsuger til maskinen, kan du lade støvsugeren køre automatisk, når kontakten på maskinen betjenes.

► Fig.43

Hvis du vil bruge den trådløse aktiveringsfunktion, skal du forberede følgende genstande:

- En trådløs enhed (ekstraudstyr)
- En støvsuger, der understøtter den trådløse aktiveringsfunktion

Følgende er et overblik over indstilling af den trådløse aktiveringsfunktion. Se de enkelte afsnit for detaljerede procedurer.

1. Montering af en trådløs enhed
2. Maskinregistrering til støvsugeren
3. Start af den trådløse aktiveringsfunktion



## Montering af en trådløs enhed

### Ekstraudstyr

**⚠ FORSIGTIG:** Placer maskinen på en flad og stabil overflade, når den trådløse enhed monteres.

**BEMÆRKNING:** Fjern støv og snavs fra maskinen, før den trådløse enhed monteres. Støv eller snavs kan forårsage funktionsfejl, hvis det kommer ind i åbningen til den trådløse enhed.

**BEMÆRKNING:** For at forhindre fejlfunktion forårsaget af statisk elektricitet skal du berøre et statisk afledende materiale som f.eks. en metaldel på maskinen, før du tager den trådløse enhed op.

**BEMÆRKNING:** Ved montering af den trådløse enhed skal du altid sikre dig, at den trådløse enhed er indsat i den korrekte retning, og at låget er lukket helt.

1. Åbn låget på maskinen som vist på figuren.

► **Fig.44:** 1. Låg

2. Indsæt den trådløse enhed i åbningen, og luk derefter låget.

Ved indsættelse af den trådløse enhed skal fremspringene justeres i forhold til de forsinkede dele på åbningen.

► **Fig.45:** 1. Trådløs enhed 2. Fremspring 3. Låg 4. Forsænket del

Ved fjernelse af den trådløse enhed åbnes låget langsomt. Krogene bag på låget løfter den trådløse enhed, når du trækker låget op.

► **Fig.46:** 1. Trådløs enhed 2. Krog 3. Låg

Når den trådløse enhed er fjernet, skal den opbevares i den medfølgende æske eller i en beholder, der er fri for statisk elektricitet.

**BEMÆRKNING:** Brug altid krogene bag på låget ved fjernelse af den trådløse enhed. Hvis krogene ikke griber fat i den trådløse enhed, skal du lukke låget helt og åbne det langsomt igen.

## Maskinregistrering til støvsugeren

**BEMÆRK:** Du skal bruge en Makita-støvsuger, der understøtter den trådløse aktiveringsfunktion, til maskinregistreringen.

**BEMÆRK:** Afslut monteringen af den trådløse enhed på maskinen, før maskinregistreringen startes.

**BEMÆRK:** Under maskinregistreringen må du ikke trykke på afbryderknappen eller tænde for hovedafbryderen på støvsugeren.

**BEMÆRK:** Se også i brugsanvisningen til støvsugeren.

Hvis du vil aktivere støvsugeren, når kontakten på maskinen betjenes, skal du først afslutte maskinregistreringen.

1. Sæt batterierne i støvsugeren og maskinen.

2. Sæt standby-kontakten på støvsugeren til "AUTO".

► **Fig.47:** 1. Standby-kontakt

3. Tryk på den trådløse aktiveringsknap på støvsugeren i 3 sekunder, indtil den trådløse aktiveringslampe blinker grønt. Tryk derefter på den trådløse aktiveringsknap på maskinen på samme måde.

► **Fig.48:** 1. Trådløs aktiveringsknap 2. Trådløs aktiveringslampe

Hvis støvsugeren og maskinen sammenkædes korrekt, lyser de trådløse aktiveringslamper grønt i 2 sekunder og begynder at blinke blåt.

**BEMÆRK:** De trådløse aktiveringslamper holder op med at blinke grønt efter 20 sekunder. Tryk på den trådløse aktiveringsknap på maskinen, når den trådløse aktiveringslampe på støvsugeren blinker. Hvis den trådløse aktiveringslampe ikke blinker grønt, skal du trykke kortvarigt på den trådløse aktiveringsknap og holde den nede igen.

**BEMÆRK:** Når der udføres to eller flere maskinregistreringer for én støvsuger, skal maskinregistreringerne udføres en for en.

## Start af den trådløse aktiveringsfunktion

**BEMÆRK:** Afslut maskinregistreringen for støvsugeren før den trådløse aktivering.

**BEMÆRK:** Se også i brugsanvisningen til støvsugeren.

Når en maskine er registreret til støvsugeren, kører støvsugeren automatisk, når kontakten på maskinen betjenes.

1. Monter den trådløse enhed på maskinen.

2. Slut støvsugerens slange til maskinen.

► **Fig.49**

3. Sæt standby-kontakten på støvsugeren til "AUTO".

► **Fig.50:** 1. Standby-kontakt

4. Tryk kortvarigt på den trådløse aktiveringsknap på maskinen. Den trådløse aktiveringslampe blinker blåt.

► **Fig.51:** 1. Trådløs aktiveringsknap 2. Trådløs aktiveringslampe

5. Tryk på maskinens afbryderknap. Kontroller, om støvsugeren kører, når der trykkes på afbryderknappen.

Tryk på den trådløse aktiveringsknap på maskinen for at stoppe den trådløse aktivering af støvsugeren.

**BEMÆRK:** Den trådløse aktiveringslampe på maskinen holder op med at blinke blåt, hvis der ikke sker nogen betjening i 2 timer. Indstil i så fald standby-kontakten på støvsugeren til "AUTO", og tryk på den trådløse aktiveringsknap på maskinen igen.

**BEMÆRK:** Støvsugeren starter/stopper med en forsinkelse. Der er en forsinkelse, når støvsugeren registrerer en betjening af kontakten på maskinen.

**BEMÆRK:** Den trådløse enheds transmissionsafstand kan variere afhængigt af placeringen og de omgivende forhold.










**BEMÆRK:** Når to eller flere maskiner er registreret til én støvsuger, begynder støvsugeren muligvis at køre, selvom du ikke trykker på afbryderknappen, fordi en anden bruger anvender den trådløse aktiveringsfunktion.



## Beskrivelse af den trådløse aktiveringslampe status

### ► Fig.52: 1. Trådløs aktiveringslampe

Den trådløse aktiveringslampe viser status for den trådløse aktiveringsfunktion. Se i tabellen nedenfor vedrørende betydningen af lampens status.

Status	Trådløs aktiveringslampe				Beskrivelse
	Farve	 Tændt	 Blinker	Varighed	
Standby	Blå			2 timer	Den trådløse aktivering af støvsugeren er tilgængelig. Lampen slukkes automatisk, hvis der ikke sker nogen betjening i 2 timer.
				Når maskinen kører.	Den trådløse aktivering af støvsugeren er tilgængelig, og maskinen kører.
Maskinregistrering	Grøn			20 sekunder	Klar til maskinregistrering. Venter på registrering fra støvsugeren.
				2 sekunder	Maskinregistreringen er fuldført. Den trådløse aktiveringslampe begynder at blinke blåt.
Annullerer maskinregistrering	Rød			20 sekunder	Klar til annullering af maskinregistrering. Venter på annullering fra støvsugeren.
				2 sekunder	Annulleringen af maskinregistreringen er fuldført. Den trådløse aktiveringslampe begynder at blinke blåt.
Andre	Rød			3 sekunder	Der er strøm til den trådløse enhed, og den trådløse aktiveringsfunktion starter.
	Slukket		-	-	Den trådløse aktivering af støvsugeren er stoppet.

## annullerer maskinregistrering for støvsugeren

Benyt følgende fremgangsmåde ved annullering af maskinregistreringen for støvsugeren.

1. Sæt batterierne i støvsugeren og maskinen.
2. Sæt standby-kontakten på støvsugeren til "AUTO".

### ► Fig.53: 1. Standby-kontakt

3. Tryk på den trådløse aktiveringsknap på støvsugeren i 6 sekunder. Den trådløse aktiveringslampe blinker grønt og bliver derefter rød. Tryk derefter på den trådløse aktiveringsknap på maskinen på samme måde.

### ► Fig.54: 1. Trådløs aktiveringsknap 2. Trådløs aktiveringslampe

Hvis annulleringen gennemføres korrekt, lyser de trådløse aktiveringslamper rødt i 2 sekunder og begynder at blinke blåt.

**BEMÆRK:** De trådløse aktiveringslamper holder op med at blinke rødt efter 20 sekunder. Tryk på den trådløse aktiveringsknap på maskinen, når den trådløse aktiveringslampe på støvsugeren blinker. Hvis den trådløse aktiveringslampe ikke blinker rødt, skal du trykke kortvarigt på den trådløse aktiveringsknap og holde den nede igen.

## Fejlfinding i forbindelse med den trådløse aktiveringsfunktion

Udfør selv en inspektion, inden De anmoder om reparation. Hvis De opdager et problem, som ikke er forklaret i brugsanvisningen, må De ikke forsøge at adskille maskinen. Rådfør Dem i stedet med et autoriseret Makita Servicecenter, og brug altid originale Makita udskiftningsdele til reparationer.

Unormal tilstand	Sandsynlig årsag (fejl)	Afhjælpning
Den trådløse aktiveringslampe tændes/blinker ikke.	Den trådløse enhed er ikke monteret på maskinen. Den trådløse enhed er ikke monteret korrekt på maskinen.	Monter den trådløse enhed korrekt.
	Terminalen på den trådløse enhed og/eller åbningen er snavset.	Aftør forsigtigt støv og snavs på terminalen på den trådløse enhed, og rengør åbningen.
	Der er ikke trykket på den trådløse aktiveringsknap på maskinen.	Tryk kortvarigt på den trådløse aktiveringsknap på maskinen.
	Standby-kontakten på støvsugeren er ikke indstillet til "AUTO".	Sæt standby-kontakten på støvsugeren til "AUTO".
	Ingen strømforsyning	Tilfør strøm til maskinen og støvsugeren.
Kan ikke afslutte maskinregistrering/annullering af maskinregistrering korrekt.	Den trådløse enhed er ikke monteret på maskinen. Den trådløse enhed er ikke monteret korrekt på maskinen.	Monter den trådløse enhed korrekt.
	Terminalen på den trådløse enhed og/eller åbningen er snavset.	Aftør forsigtigt støv og snavs på terminalen på den trådløse enhed, og rengør åbningen.
	Standby-kontakten på støvsugeren er ikke indstillet til "AUTO".	Sæt standby-kontakten på støvsugeren til "AUTO".
	Ingen strømforsyning	Tilfør strøm til maskinen og støvsugeren.
	Forkert betjening	Tryk kortvarigt på den trådløse aktiveringsknap, og udfør procedurerne for maskinregistrering/annullering igen.
	Maskinen og støvsugeren er ikke i nærheden af hinanden (uden for transmissionsafstand).	Flyt maskinen og støvsugeren tættere på hinanden. Den maksimale transmissionsafstand er cirka 10 m, men kan variere afhængigt af forholdene.
	Før du fuldfører maskinregistrering/annullering, - der trykkes på afbryderknappen på maskinen, eller - der tændes på hovedafbryderen på støvsugeren.	Tryk kortvarigt på den trådløse aktiveringsknap, og udfør procedurerne for maskinregistrering/annullering igen.
	Maskinregistreringsprocedurerne på maskinen eller støvsugeren er ikke fuldført.	Gennemfør maskinregistreringsprocedurerne både på maskinen og støvsugeren på samme tid.
Støvsugeren kører ikke, når kontakten på maskinen betjenes.	Den trådløse enhed er ikke monteret på maskinen. Den trådløse enhed er ikke monteret korrekt på maskinen.	Monter den trådløse enhed korrekt.
	Terminalen på den trådløse enhed og/eller åbningen er snavset.	Aftør forsigtigt støv og snavs på terminalen på den trådløse enhed, og rengør åbningen.
	Der er ikke trykket på den trådløse aktiveringsknap på maskinen.	Tryk kortvarigt på den trådløse aktiveringsknap, og kontroller, at den trådløse aktiveringslampe blinker blåt.
	Standby-kontakten på støvsugeren er ikke indstillet til "AUTO".	Sæt standby-kontakten på støvsugeren til "AUTO".
	Der er registreret mere end 10 maskiner til støvsugeren.	Udfør maskinregistreringen igen. Hvis der er registreret mere end 10 maskiner til støvsugeren, bliver den maskine, der blev registreret tidligst, automatisk annulleret.
	Støvsugeren har slettet alle maskinregistreringer.	Udfør maskinregistreringen igen.
	Ingen strømforsyning	Tilfør strøm til maskinen og støvsugeren.
	Maskinen og støvsugeren er ikke i nærheden af hinanden (uden for transmissionsafstand).	Flyt maskinen og støvsugeren tættere på hinanden. Den maksimale transmissionsafstand er cirka 10 m, men kan variere afhængigt af forholdene.
	Radiointerferens fra andre apparater, der udsender højintense radiobølger.	Hold maskinen og støvsugeren væk fra apparater som f.eks. Wi-Fi-enheder og mikrobølgeovne.
	Støvsugeren kører, mens der ikke trykkes på maskinens afbryderknap.	Andre brugere anvender den trådløse aktivering af støvsugeren med deres maskiner.

## VEDLIGEHOJDELSE

**⚠FORSIGTIG:** Vær altid sikker på, at værktøjet er slukket, og at akkuen er taget ud, inden De begynder at udføre inspektion eller vedligeholdelse.

**BEMÆRKNING:** Anvend aldrig benzin, rensebenzin, fortynder, alkohol og lignende. Det kan medføre misfarvning, deformation eller revner.

For at opretholde produktets SIKKERHED og PÅLIDELIGHED må reparation, vedligeholdelse eller justering kun udføres af et autoriseret Makita servicecenter eller fabrikksservicecenter med anvendelse af Makita reservedele.

### Udskiftning af filteret på støvbakken

#### Ekstraudstyr

1. Fjern støvbakken, idet der trykkes ned på håndtaget på støvbakken.

► **Fig.55:** 1. Håndtag

2. Indsæt den flade skruetrækker i åbningerne på filterdækslet for at fjerne filterdækslet.

► **Fig.56:** 1. Flad skruetrækker 2. Filterdæksel

3. Fjern filteret fra filterhuset.

► **Fig.57:** 1. Filter 2. Filterhus

4. Sæt et nyt filter i filterhuset, og monter derefter filterdækslet.

5. Luk dækslet på støvbakken, og monter derefter støvbakken på systemet til støvopsamling.

### Udskiftning af tætningshætten

#### Ekstraudstyr

Hvis tætningshætten er slidt op, forringes ydelsen af støvopsamlingen. Udskift den, hvis den er slidt op. Fjern tætningshætten, og monter derefter en ny med fremspringet vendt opad.

► **Fig.58:** 1. Fremspring 2. Tætningshætte

## EKSTRAUDSTYR

**⚠FORSIGTIG:** Det følgende tilbehør og ekstraudstyr er anbefalet til brug med Deres Makita maskine, der er beskrevet i denne brugsanvisning. Anvendelse af andet tilbehør eller ekstraudstyr kan udgøre en risiko for personskaade. Anvend kun tilbehør og ekstraudstyr til det beskrevne formål.

Hvis De behøver hjælp ved valg af tilbehør eller ønsker yderligere informationer, bedes De kontakte Deres lokale Makita servicecenter.

- Karbidforstærkede borebits (SDS-plus karbidforstærkede bits)
- Kernebit
- Spidshammer
- Diamantkernebit

- Koldmejsel
- Afbankningsmejsel
- Kanalmejsel
- Patronadapter
- Nøglefri borepatron
- Smørelse til bit
- Dybdemåler
- Udblæsningskolbe
- Støvopsamler
- Støvopsamlersæt
- Krogsæt
- Støvbakkesæt
- Borepatronsæt
- Filtersæt
- Maskinholdersæt
- Samlingsæt
- System til støvopsamling
- Trådløs enhed
- Original Makita-akku og oplader
- Beskyttelsesbriller
- Plastikbæretaske

**BEMÆRK:** Nogle ting på denne liste kan være inkluderet i værktøjspakken som standardtilbehør. Det kan være forskellige fra land til land.

## SPECIFIKĀCIJAS

Modelis:		HR001G	HR002G	HR003G	HR004G
Veiktspēja	Betons	28 mm			
	Kroņurbis	54 mm			
	Dimanta kroņurbis (sausā tipa)	65 mm			
	Tērauds	13 mm			
	Koks	32 mm			
Ātrums bez slodzes		0–980 min <sup>-1</sup>			
Triecieni minūtē		0–5 000 min <sup>-1</sup>			
Nominālais spriegums		Līdzstrāva 36 V–40 V maks.			
Kopējais garums	ar BL4025	358 mm	389 mm	358 mm	389 mm
	ar BL4040	373 mm	404 mm	373 mm	404 mm
Neto svars		3,9–4,6 kg	4,1–4,6 kg	3,9–4,6 kg	4,0–4,5 kg

### Papildpiederums

Modelis:	DX12 (modelim HR001G/HR003G)	DX14 (modelim HR002G/HR004G)
Sūkšanas jauda	350 l/min	
Darbības gājiens	Līdz 190 mm	
Piemērots urbja uzgalis	Līdz 260 mm	
Nominālais spriegums	Līdzstrāva 36 V–40 V maks.	
Neto svars	1,6 kg	

- Nepārtrauktās izpētes un izstrādes programmas dēļ šeit uzrādītās specifiskācijas var tikt mainītas bez brīdinājuma.
- Atkarībā no valsts specifiskācijas var atšķirties.
- Svars var būt atšķirīgs atkarībā no papildierīces(-ēm), tostarp akumulatora kasetnes. Tabulā ir attēlota vieglākā un smagākā kombinācija atbilstoši EPTA procedūrai 01/2014.

### Piemērotā akumulatora kasetne un lādētājs

Akumulatora kasetne	BL4025/BL4040
Lādētājs	DC40RA

- Daži no iepriekš norādītajiem lādētājiem un akumulatora kasetnēm var nebūt pieejami atkarībā no jūsu mītnes reģiona.

**▲BRĪDINĀJUMS:** Izmantojiet vienīgi iepriekš norādītās akumulatora kasetnes un lādētājus. Cita tipa akumulatora kasetņu un lādētāju izmantošana var radīt traumu un/vai aizdegšanās risku.

### Paredzētā lietošana

Šis darbarīks ir paredzēts triecienurbšanai un urbšanai kļeģelos, betonā un akmeņi, kā arī kalšanai. Tas ir piemērots arī parastai urbšanai (bez trieciena) kokā, metālā, keramikā un plastmasā.

### Trokšņa līmenis

Tipiskais A svērtais trokšņa līmenis noteikts saskaņā ar EN60745-2-6:

#### Modelis HR001G

Skaņas spiediena līmeni ( $L_{pA}$ ): 95 dB (A)  
Skaņas jaudas līmeni ( $L_{WA}$ ): 106 dB (A)  
Mainīgums (K): 3 dB (A)

#### Modelis HR002G

Skaņas spiediena līmeni ( $L_{pA}$ ): 93 dB (A)  
Skaņas jaudas līmeni ( $L_{WA}$ ): 104 dB (A)  
Mainīgums (K): 3 dB (A)

#### Modelis HR003G

Skaņas spiediena līmeni ( $L_{pA}$ ): 95 dB (A)  
Skaņas jaudas līmeni ( $L_{WA}$ ): 106 dB (A)  
Mainīgums (K): 3 dB (A)

#### Modelis HR004G

Skaņas spiediena līmeni ( $L_{pA}$ ): 93 dB (A)  
Skaņas jaudas līmeni ( $L_{WA}$ ): 104 dB (A)  
Mainīgums (K): 3 dB (A)

#### Modelis HR001G ar DX12

Skaņas spiediena līmeni ( $L_{pA}$ ): 93 dB (A)  
Skaņas jaudas līmeni ( $L_{WA}$ ): 104 dB (A)  
Mainīgums (K): 3 dB (A)

#### Modelis HR002G ar DX14

Skaņas spiediena līmeni ( $L_{pA}$ ): 93 dB (A)  
Skaņas jaudas līmeni ( $L_{WA}$ ): 104 dB (A)  
Mainīgums (K): 3 dB (A)

**Modelis HR003G ar DX12**Skaņas spiediena līmenis ( $L_{pA}$ ): 93 dB(A)Skaņas jaudas līmenis ( $L_{WA}$ ): 104 dB(A)

Nenoteiktība (K): 3 dB(A)

**Modelis HR004G ar DX14**Skaņas spiediena līmenis ( $L_{pA}$ ): 93 dB(A)Skaņas jaudas līmenis ( $L_{WA}$ ): 104 dB(A)

Nenoteiktība (K): 3 dB(A)

**PIEZĪME:** Paziņotā trokšņa emisijas vērtība noteikta atbilstoši standarta pārbaudes metodei, un to var izmantot, lai salīdzinātu vienu darbarīku ar citu.

**PIEZĪME:** Paziņoto trokšņa emisijas vērtību arī var izmantot iedarbības sākotnējā novērtējumā.

**▲BRĪDINĀJUMS:** Lietojiet ausu aizsargus.

**▲BRĪDINĀJUMS:** Trokšņa emisija patiesos darba apstākļos var atšķirties no paziņotās vērtības atkarībā no darbarīka izmantošanas veida un jo īpaši atkarībā no apstrādājamā materiāla veida.

**▲BRĪDINĀJUMS:** Lai aizsargātu lietotāju, nosakiet drošības pasākumus, kas pamatoti ar iedarbību reālos darba apstākļos (ņemot vērā visus ekspluatācijas cikla posmus, piemēram, laiku, kamēr darbarīks ir izslēgts un kad darbojas tukšgaitā, kā arī palaides laiku).

**Vibrācija**

Tālāk tabulā norādītā vibrāciju kopējā vērtība (trīs asu vektoru summa) ir noteikta saskaņā ar piemērojamo standartu.

**Modelis HR001G**

Darba režīms	Vibrācijas izmēte	Nenoteiktība (K)	Piemērojamie standarti
Triecienuurbšana betonā ( $a_{h, HD}$ )	7,0 m/s <sup>2</sup>	1,5 m/s <sup>2</sup>	EN60745-2-6
Triecienuurbšana betonā ar DX12 ( $a_{h, HD}$ )	7,0 m/s <sup>2</sup>	1,5 m/s <sup>2</sup>	EN60745-2-6
Kaļšanas režīms, izmantojot sānu rokturi ( $a_{h, Cheq}$ )	6,5 m/s <sup>2</sup>	1,5 m/s <sup>2</sup>	EN60745-2-6
Urbšana metālā ( $a_{h, D}$ )	2,5 m/s <sup>2</sup> vai mazāk	1,5 m/s <sup>2</sup>	EN60745-2-1

**Modelis HR002G**

Darba režīms	Vibrācijas izmēte	Nenoteiktība (K)	Piemērojamie standarti
Triecienuurbšana betonā ( $a_{h, HD}$ )	6,5 m/s <sup>2</sup>	1,5 m/s <sup>2</sup>	EN60745-2-6
Triecienuurbšana betonā ar DX14 ( $a_{h, HD}$ )	6,0 m/s <sup>2</sup>	1,5 m/s <sup>2</sup>	EN60745-2-6
Kaļšanas režīms, izmantojot sānu rokturi ( $a_{h, Cheq}$ )	7,5 m/s <sup>2</sup>	1,5 m/s <sup>2</sup>	EN60745-2-6
Urbšana metālā ( $a_{h, D}$ )	2,5 m/s <sup>2</sup>	1,5 m/s <sup>2</sup>	EN60745-2-1

**Modelis HR003G**

Darba režīms	Vibrācijas izmēte	Nenoteiktība (K)	Piemērojamie standarti
Triecienuurbšana betonā ( $a_{h, HD}$ )	7,0 m/s <sup>2</sup>	1,5 m/s <sup>2</sup>	EN60745-2-6
Triecienuurbšana betonā ar DX12 ( $a_{h, HD}$ )	7,0 m/s <sup>2</sup>	1,5 m/s <sup>2</sup>	EN60745-2-6
Kaļšanas režīms, izmantojot sānu rokturi ( $a_{h, Cheq}$ )	7,0 m/s <sup>2</sup>	1,5 m/s <sup>2</sup>	EN60745-2-6
Urbšana metālā ( $a_{h, D}$ )	2,5 m/s <sup>2</sup> vai mazāk	1,5 m/s <sup>2</sup>	EN60745-2-1

**Modelis HR004G**

Darba režīms	Vibrācijas izmēte	Nenoteiktība (K)	Piemērojamie standarti
Triecienuurbšana betonā ( $a_{h, HD}$ )	6,5 m/s <sup>2</sup>	1,5 m/s <sup>2</sup>	EN60745-2-6
Triecienuurbšana betonā ar DX14 ( $a_{h, HD}$ )	6,0 m/s <sup>2</sup>	1,5 m/s <sup>2</sup>	EN60745-2-6
Kaļšanas režīms, izmantojot sānu rokturi ( $a_{h, Cheq}$ )	7,5 m/s <sup>2</sup>	1,5 m/s <sup>2</sup>	EN60745-2-6
Urbšana metālā ( $a_{h, D}$ )	2,5 m/s <sup>2</sup>	1,5 m/s <sup>2</sup>	EN60745-2-1

**PIEZĪME:** Paziņotā kopējā vibrācijas vērtība noteikta atbilstoši standarta pārbaudes metodei, un to var izmantot, lai salīdzinātu vienu darbarīku ar citu.

**PIEZĪME:** Paziņoto kopējo vibrācijas vērtību arī var izmantot iedarbības sākotnējā novērtējumā.

**▲BRĪDINĀJUMS:** Vibrācijas emisija patiesos darba apstākļos var atšķirties no paziņotās vērtības atkarībā no darbarīka izmantošanas veida un jo īpaši atkarībā no apstrādājamā materiāla veida.

**▲BRĪDINĀJUMS:** Lai aizsargātu lietotāju, nosakiet drošības pasākumus, kas pamatoti ar iedarbību reālos darba apstākļos (ņemot vērā visus ekspluatācijas cikla posmus, piemēram, laiku, kamēr darbarīks ir izslēgts un kad darbojas tukšgaitā, kā arī palaides laiku).

**EK atbilstības deklarācija****Tikai Eiropas valstīm**

EK atbilstības deklarācija šajā lietošanas rokasgrāmatā ir iekļauta kā A pielikums.

# DROŠĪBAS BRĪDINĀJUMI

## Vispārīgi elektrisko darbarīku drošības brīdinājumi

**▲BRĪDINĀJUMS:** Izlasiet visus drošības brīdinājumus, instrukcijas, apskatiet ilustrācijas un tehniskos datus, kas iekļauti mehānizētā darbarīka komplektācijā. Ja netiek ievēroti visi tālāk minētie noteikumi, var tikt izraisīta elektrotrauma, notikt aizdegšanās un/vai rasties smagas traumas.

## Glabājiet visus brīdinājumus un norādījumus, lai varētu tajos ieskatīties turpmāk.

Termins „elektrisks darbarīks” brīdinājumos attiecas uz tādu elektrisko darbarīku, ko darbina ar elektrību (ar vadu), vai tādu, ko darbina ar akumulatoru (bez vada).

## DROŠĪBAS BRĪDINĀJUMI BEZVADU PERFORATORA LIETOŠANAI

1. Izmantojiet ausu aizsargus. Troksnis var izraisīt dzirdes zudumu.
2. Izmantojiet ar darbarīku piegādātos papildu rokturus. Zaudējot kontroli, var tikt gūtas traumas.
3. Strādājot turiet mehānisko darbarīku aiz izolētajām satveršanas virsmām gadījumam, ja griešanas darbarīks varētu saskarties ar neredzamu elektroinstalāciju. Ja griešanas instrumenta saskarsies ar vadu, kurā ir strāva, visas darbarīka ārējās metāla virsmas vadīs strāvu un radīs elektriskās strāvas trieciena risku.
4. Izmantojiet aizsargķiveri, aizsargbrilles un/vai sejas aizsargu. Parastās brilles vai saulesbrilles NAV aizsargbrilles. Noteikti ieteicams izmantot arī putekļu masku un biezus, polsterētus cimdus.
5. Pirms sākt darbu pārbaudiet, vai uzgalis ir nostiprināts.
6. Parastās darbības laikā darbarīks rada vibrāciju. Skrūves var viegli atskrūvēties, izraisot bojājumus vai negadījumu. Pirms sākt darbu rūpīgi pārbaudiet skrūvju pievilkumu.
7. Aukstā laikā vai tad, ja darbarīku neesat izmantojis ilgu laiku, ļaujiet darbarīkam nedaudz iesilt, darbinot to bez slodzes. Tas sasildīs ziežvielas darbarīkā. Bez pienācīgas iesildīšanas būs grūti veikt kalšanu.
8. Vienmēr nodrošiniet stabilu pamatu kājām. Ja lietojat darbarīku, strādājot lielā augstumā virs zemes, pārliecinieties, ka apakšā neviena nav.
9. Turiet darbarīku cieši ar abām rokām.
10. Netuviniet rokas kustīgajām daļām.
11. Neatstājiet darbarīku ieslēgtu. Darbiniet darbarīku vienīgi tad, ja turat to rokās.
12. Iedarbinātu darbarīku nevērsiet pret tuvumā esošiem cilvēkiem. Uzgalis var tikt izviesīts un radīt smagu traumu.
13. Tūlīt pēc darbarīka lietošanas nepieskarities uzgalim, uzgaļai vai apstrādājamā materiāla tuvumā esošām daļām, jo daļas var būt ļoti karstas un apdedzināt ādu.

14. Daži materiāli satur ķīmiskas vielas, kuras var būt toksiskas. Izvairieties no putekļu ieelpošanas un to nokļūšanas uz ādas. Ievērojiet materiāla piegādātāja drošības datus.
15. Pirms darbarīka nodošanas citai personai vienmēr pārliecinieties, vai darbarīks ir izslēgts un vai akumulatora kasetne un uzgalis ir izņemts.
16. Pirms darba sākšanas pārliecinieties, vai darba zonā nekas nav aprakts, piemēram, elektroinstalācijas caurule, ūdens caurule vai gāzes caurule. Urbja uzgalis/kalta var ar tiem saskarties, izraisot elektriskās strāvas triecieni, strāvas noplūdi vai gāzes noplūdi.

## SAGLABĀJIET ŠOS NORĀDĪJUMUS.

**▲BRĪDINĀJUMS:** NEPIEĻAUJIET to, ka labu iemaņu vai izstrādājuma labas pārzināšanas (darbarīku atkārtoti ekspluatējot) rezultātā vairs stingri neievērojat šī izstrādājuma drošības noteikumus. NEPAREIZI LIETOJOT darbarīku vai neievērojot šajā instrukcijā rokasgrāmatā minētos drošības noteikumus, var tikt gūtas smagas traumas.

## Svarīgi drošības norādījumi par akumulatora kasetni

1. Pirms akumulatora lietošanas izlasiet visus norādījumus un brīdinājumus, kuri attiecas uz (1) akumulatora lādētāju, (2) akumulatoru un (3) ierīci, kurā tiek izmantots akumulators.
2. Akumulatora kasetni nedrīkst ne pārveidot, ne izjaukt. Citādi var tikt izraisīta aizdegšanās, pārmērīgs karstums vai sprādziens.
3. Ja akumulatora darbības laiks kļuva ievērojami īsāks, nekavējoties pārtrauciet to izmantot. Citādi, tas var izraisīt pārkaršējumu, uzliesmojumu vai pat sprādzienu.
4. Ja elektrolīts nonāk acīs, izskalojiet tās ar tīru ūdens un nekavējoties griezieties pie ārsta. Tas var izraisīt redzes zaudēšanu.
5. Neradiet īssavienojumu akumulatora kasetnē:
  - (1) Nepieskarities spailēm ar elektrību vadošiem materiāliem.
  - (2) Neuzglabājiet akumulatoru kasetni kopā ar citiem metāla priekšmetiem, tādiem kā naglas, monētas u. c.
  - (3) Nepakļaujiet akumulatora kasetni ūdens vai lietus iedarbībai.Akumulatora īssavienojums var radīt spēcīgu strāvas plūsmu, pārkaršanu, uzliesmojumu un pat sabojāt akumulatoru.
6. Neglabājiet darbarīku un akumulatora kasetni vietās, kur temperatūra var sasniegt vai pārsniegt 50 °C (122 °F).
7. Nededziniet akumulatora kasetni, pat ja tā ir stipri bojāta vai pilnībā nolietota. Akumulatora kasetne ugunī var eksplodēt.
8. Akumulatora kasetni nedrīkst naglot, griezt, saspīest, mest vai nomest, kā arī pa to nedrīkst sist ar cietu priekšmetu. Šādas darbības var izraisīt aizdegšanos, pārmērīgu karstumu vai sprādzienu.

9. **Neizmantojiet bojātu akumulatoru.**
10. **Uz izmantotajiem litija jonu akumulatoriem attiecas likumdošanas prasības par bīstamiem izstrādājumiem.**  
Komerציālā transportēšanā, ko veic, piemēram, trešās puses, transporta uzņēmumi, jāievēro uz iesaiņojuma un marķējuma norādītās īpašās prasības.  
Lai izstrādājumu sagatavotu nosūtīšanai, jāsaziņās ar bīstamo materiālu speciālistu. Ievērojiet arī citus attiecināmos valsts normatīvus.  
Valējus kontaktus nosedziet ar līmlenti vai citādi pārklājiet, bet akumulatoru iesaiņojiet tā, lai sainī tas nevarētu izkustēties.
11. **Lai utilizētu akumulatora kasetni, izņemiet to no darbarīka un likvidējiet drošā vietā.** Ievērojiet lietējos noteikumus par akumulatora likvidēšanu.
12. **Izmantojiet šos akumulatorus tikai ar izstrādājumiem, kurus norādījis Makita.** Ievietojot šos akumulatorus nesaderīgos izstrādājumos, var rasties ugunsgrēks, pārmērīgs karstums, tie var uzspriegt vai no tiem var iztect elektrolīts.
13. **Ja darbarīks netiks lietots ilgu laiku, no tā jāizņem akumulators.**
14. **Lietošanas laikā vai pēc tās akumulatora kasetne var uzkrāt siltumu, kas var izraisīt apdegumus vai zemas temperatūras apdegumus.** Ar karstu akumulatora kasetni apejieties rūpīgi.
15. **Nepieskarieties darbarīka izvadam uzreiz pēc lietošanas, jo tas var būt sakarsis un izraisīt apdegumus.**
16. **Neļaujiet akumulatora kasetnes izvadā, atverēs un rievās uzkrāties skaidām, putekļiem vai augsnei.** Tādējādi darbarīks vai akumulatora kasetne var sākt darboties nekalitatīvi vai tikt sabojāti.
17. **Neizmantojiet akumulatora kasetni augstsprieguma līniju tuvumā, izņemot gadījumus, kad darbarīks ir piemērots lietošanai augstsprieguma līniju tuvumā.** Citādi darbarīks vai akumulatora kasetne var sākt darboties nepareizi vai tikt sabojāti.

## SAGLABĀJIET ŠOS NORĀDĪJUMUS.

**⚠UZMANĪBU:** Lietojiet tikai oriģinālos Makita akumulatorus. Ja lietojat neoriģinālus Makita akumulatorus vai pārveidotus akumulatorus, tie var uzspriegt un izraisīt aizdegšanos, traumas un materiālos zaudējumus. Tikš anulēta arī Makita darbarīka un lādētāja garantija.

## Ieteikumi akumulatora kalpošanas laika pagarināšanai

1. **Uzlādējiet akumulatora kasetni, pirms tā ir pilnībā izlādējusies.** Vienmēr, kad ievērojāt, ka darbarīka darba jauda zudusi, apturiet darbarīku un uzlādējiet akumulatora kasetni.
2. **Nekad neuzlādējiet pilnībā uzlādētu akumulatora kasetni.** Pārmērīga uzlāde saīsina akumulatora kalpošanas laiku.

3. **Uzlādējiet akumulatora kasetni istabas temperatūrā 10 °C - 40 °C.** Karstai akumulatora kasetnei pirms uzlādes ļaujiet atdzist.
4. **Kad akumulatora kasetne netiķi izmantota, izņemiet to no darbarīka vai lādētāja.**
5. **Uzlādējiet litija jonu akumulatora kasetni, ja to ilgstoši nelietosit (vairāk nekā sešus mēnešus).**

## Svarīgi drošības norādījumi par bezvadu ierīci

1. **Bezvadu ierīci nedrīkst ne pārveidot, ne izjaukt.**
2. **Bezvadu ierīci glabājiet maziem bērniem nepieejamā vietā.** Ja kāds cilvēks nejauši norij kādu no detaļām, nekavējoties jādodas pie ārsta.
3. **Bezvadu ierīci lietojiet tikai kopā ar Makita darbarīkiem.**
4. **Raugiet, lai bezvadu ierīce neatrastos lietū vai mitros apstākļos.**
5. **Bezvadu ierīci nelietojiet vietās, kur temperatūra pārsniedz 50 °C.**
6. **Bezvadu ierīci nelietojiet vietās, kur tuvumā atrodas medicīnas ierīces, piemēram, sirds darbības stimulatori.**
7. **Bezvadu ierīci nelietojiet vietās, kur tuvumā atrodas automātiskas ierīces.** Ja lietojat, tad automātisko ierīču darbībā var rasties traucējumi vai kļūdas.
8. **Neizmantojiet bezvadu ierīci vietā, kur ir augsta temperatūra vai var veidoties statiskā elektrība vai elektriskais troksnis.**
9. **Bezvadu ierīce var radīt elektromagnētiskos laukus (EML), bet tie nav lietotājam kaitīgi.**
10. **Bezvadu ierīce ir precīzs instruments.** Uzmanieties, lai bezvadu ierīce nenokristu un nekur neietriektos.
11. **Bezvadu ierīces izvadam nepieskarieties ar kailām rokām vai metāliskiem materiāliem.**
12. **Kad uzstādāt bezvadu ierīci, vienmēr izņemiet darbarīka akumulatoru.**
13. **Verot vaļā atveres pārsegu, izvairieties no vietas, kur atverē var iekļūt putekļi un ūdens.** Atveres ieeju vienmēr turiet tīru.
14. **Bezvadu ierīci vienmēr ievietojiet pareizajā virzienā.**
15. **Bezvadu ierīces bezvadu sistēmas aktivizēšanas pogu nespiediet pārāk stipri un/vai nespiediet pogu ar priekšmetu, kam ir asas malas.**
16. **Lietojot ierīci, vienmēr aizveriet atveres pārsegu.**
17. **Kamēr darbarīks ir pieslēgts pie strāvas, neatvienojiet bezvadu ierīci no atveres.** Ja atvienojat, var rasties traucējumi bezvadu ierīces darbībā.
18. **No bezvadu ierīces nenoplēšiet uzlīmi.**
19. **Uz bezvadu ierīces nelīmējiet nekādas uzlīmes.**
20. **Neatstājiet bezvadu ierīci vietā, kur var veidoties statiskā elektrība vai elektriskais troksnis.**
21. **Bezvadu ierīci neatstājiet vietās, kur varētu būt liels karstums, piemēram, automobilī, kas atstāts saulē.**
22. **Bezvadu ierīci neatstājiet putekļainā vai ar pulveri nokaisītā vietā vai vietā, kur var rasties kodīga gāze.**



23. Pēkšņas temperatūras izmaiņas var radīt mitrumu uz ierīces. Bezvadu ierīci lietojiet tikai tad, kad mitrums pilnībā izžuvis.
24. Kad tīrāt bezvadu ierīci, uzmanīgi slaukiet to ar sausu, mīkstu drānu. Nelietojiet benzīnu, atšķaidītāju, vadītspējīgas smērvielas vai līdzīgas vielas.
25. Kad bezvadu ierīci noliekat glabāšanai, ielieciet to komplekta ietvarā vai nestatiskā konteinerā.
26. Darbarīka atverē ievietojiet tikai Makita bezvadu ierīci.
27. Neizmantojiet darbarīku, ja tā atveres pārsegs ir bojāts. Ūdens, putekļu un netīrumu iekļūšana atverē var radīt darbības traucējumus.
28. Bez nepieciešamības nevelciet un/vai negroziet atveres pārsegu. Ja pārsegs atdalās no darbarīka, piestipriniet to.
29. Ja atveres pārsegs ir pazaudēts vai bojāts, nomainiet to.

## SAGLABĀJIET ŠOS NORĀDĪJUMUS.

### FUNKCIJU APRAKSTS

**⚠UZMANĪBU:** Pirms darbarīka regulēšanas vai tā darbības pārbaudes vienmēr pārlicinieties, ka darbarīks ir izslēgts un akumulatora kasetne ir izņemta.

### Akumulatora kasetnes uzstādīšana un izņemšana

**⚠UZMANĪBU:** Vienmēr pirms akumulatora kasetnes uzstādīšanas vai noņemšanas izslēdziet darbarīku.

**⚠UZMANĪBU:** Uzstādot vai izņemot akumulatora kasetni, darbarīku un akumulatora kasetni turiet cieši. Ja darbarīku un akumulatora kasetni netur cieši, tie var izkrist no rokām un radīt bojājumus darbarīkam un akumulatora kasetnei, kā arī izraisīt ievainojumus.

- **Att.1:** 1. Sarkanā krāsā indikators 2. Pogā 3. Akumulatora kasetne

Lai izņemtu akumulatora kasetni, izvelciet to no darbarīka, pārīdodot kasetnes priekšpusē esošo pogu.

Lai uzstādītu akumulatora kasetni, salāgojiet mēlīti uz akumulatora kasetnes ar rienu ietvarā un iebīdīet to vietā. Ievietojiet to līdz galam, līdz tā ar klikšķi nokļūst vietā. Ja pogas augšējā daļā redzams sarkanā krāsā indikators, tas nozīmē, ka tā nav pilnīgi fiksēta.

**⚠UZMANĪBU:** Vienmēr ievietojiet akumulatora kasetni tā, lai sarkanais indikators nebūtu redzams. Pretējā gadījumā tā var nejauši izkrist no darbarīka un izraisīt jums vai apkārtējiem traumas.

**⚠UZMANĪBU:** Neievietojiet akumulatora kasetni ar spēku. Ja kasetne neslīd ietvarā viegli, tā nav pareizi ielikta.

### Atlikušās akumulatora jaudas indikators

Nospiediet akumulatora kasetnes pārbaudes pogu, lai pārbaudītu akumulatora atlikušo uzlādes līmeni. Indikatori iedegsies uz dažām sekundēm.

- **Att.2:** 1. Indikatora lampas 2. Pārbaudes poga

Indikatora lampas			Atlikušā jauda
Iededzies	Izslēgts	Mirgo	
■ ■ ■ ■	□ □ □ □	◐ ◑	No 75% līdz 100%
■ ■ ■ □	□ □ □ □	◐ ◑	No 50% līdz 75%
■ ■ □ □	□ □ □ □	◐ ◑	No 25% līdz 50%
■ □ □ □	□ □ □ □	◐ ◑	No 0% līdz 25%
◐ ◑ □ □	□ □ □ □	◐ ◑	Uzlādējiet akumulatoru.
■ ■ □ □	□ □ □ □	◐ ◑	Iespējama akumulatora kļūme.
□ □ □ ■	□ □ □ □	◐ ◑	

**PIEZĪME:** Reālā jauda var nedaudz atšķirties no norādītās atkarībā no lietošanas apstākļiem un apkārtējās temperatūras.

### Darbarīka/akumulatora aizsardzības sistēma

Darbarīkam ir darbarīka/akumulatora aizsardzības sistēma. Šī sistēma automātiski izslēdz strāvas padevi motoram, lai pagarinātu darbarīka un akumulatora darbību. Lietošanas laikā darbarīks automātiski pārstās darboties, ja darbarīku vai akumulatoru pakļaus kādam no šādiem apstākļiem.

### Aizsardzība pret pārslodzi

Ja akumulatoru lieto tā, ka tas patērē pārmērīgi lielu strāvas daudzumu, darbarīks automātiski pārstāj darboties bez jebkādas norādes. Šādā gadījumā izslēdziet darbarīku un pārtrauciet darbību, kas izraisīja darbarīka pārslodzi. Tad ieslēdziet darbarīku, lai atsāktu darbu.

### Aizsardzība pret pārkaršanu

Kad darbarīks vai akumulators ir pārkaris, darbarīks automātiski pārstāj darboties. Šādā gadījumā ļaujiet darbarīkam un akumulatoram atdzist un tikai tad atkal ieslēdziet darbarīku.

**PIEZĪME:** Ja darbarīks ir pārkaris, lampa mirgo.

### Aizsardzība pret akumulatora pārmērīgu izlādi

Ja akumulatora jaudas līmenis ir zems, darbarīks automātiski pārstāj darboties. Šajā gadījumā akumulatoru izņemiet no darbarīka un uzlādējiet.

## Slēdža darbība

**▲BRĪDINĀJUMS:** Pirms akumulatora kasetnes uzstādīšanas darbarīkā vienmēr pārbaudiet, vai slēdža mēlīte darbojas pareizi un pēc atlaišanas atgriežas stāvoklī „OFF” (Izslēgts).

► **Att.3:** 1. Slēdža mēlīte

Lai ieslēgtu darbarīku, pavelciet slēdža mēlīti. Darbarīka ātrums palielinās, palielinoties spiedienam uz slēdža mēlīti. Lai darbarīku apturētu, atlaidiet slēdža mēlīti.

## Ātruma regulēšana

Apgrīzietu un triecienu skaitu minūtē var regulēt, pagriežot ātruma regulēšanas ciparrīpu. Uz ciparrīpas ir atzīmes no 1 (zemākais ātrums) līdz 5 (maksimālais ātrums).

► **Att.4:** 1. Regulēšanas ciparrīpa

Saistību starp cipara iestatījumu uz regulēšanas ciparrīpas un apgrīzietu/triecienu skaitu minūtē skatiet tabulā tālāk.

Cipars	Apgrīzietu skaits minūtē	Triecieni minūtē
5	980	5 000
4	870	4 440
3	630	3 210
2	380	1 940
1	300	1 530

**▲UZMANĪBU:** Kamēr darbarīks darbojas, negrieziet regulēšanas ciparrīpu. Citādi varat zaudēt kontroli pār darbarīku un gūt smagas traumas.

**IEVĒRĪBAI:** Ja darbarīku ilgstoši darbināsīt ar mazu ātrumu, motors tiks pārslēgots, tādējādi radot darbarīka darbības traucējumus.

**IEVĒRĪBAI:** Ātruma regulēšanas ciparrīpa var griezt tikai diapazonā no 1 līdz 5. Lai nesabojātu ātruma regulēšanas funkcijas darbību, nemēģiniet ar spēku to pagriezt tālāk aiz 5 vai 1.

**PIEZĪME:** Laidena bezslodzes griešanās funkcija (modelim HR001G/HR002G)

Kad ātruma regulēšanas ciparrīpa ir pagriezta uz „4” vai lielākā ātrumā pozīcijā, darbarīks automātiski samazina bezslodzes darbības ātrumu, lai mazinātu vibrācijas bezslodzes darbības laikā. Tiklīdz sākas darbība un uzgalis pieskaras betonam, sitienu skaits minūtē palielinās līdz tabulā norādītajam. Kad temperatūra ir zema un smērviela ir salīdzinoši bieza, šī darbarīka funkcija var nedarboties pat tad, kad darbojas motors.

## Priekšējās lampas ieslēgšana

► **Att.5:** 1. Lampa

**▲UZMANĪBU:** Neskatieties gaismā, neļaujiet tās avotam iespīdēt acīs.

Pavelciet slēdža mēlīti, lai ieslēgtu lampu. Kamēr slēdža mēlīte ir nospiesta, lampa ir ieslēgta. Apmēram 10 sekundes pēc slēdža mēlītes atlaišanas lampa izslēdzas.

**▲UZMANĪBU:** Modelim HR001G/HR002G

Ja lampa izslēdzas pēc pāris sekunžu mirgošanas, aktīvās reakcijas tehnoloģija nedarbojas pareizi. Par remonta iespējām jautājiet vietējā Makita apkopes centrā.

**PIEZĪME:** Ar sausu lupatīņu notīriet netīrumus no lampas lēcas. Izvairieties saskrāpēt lampas lēcu, jo tādējādi tiek samazināts apgaismojums.

**PIEZĪME:** Ja darbarīkam ir uzstādīta putekļu savākšanas sistēma, izgaismojas putekļu savākšanas sistēmas lampa, nevis darbarīka lampa.

## Griešanās virziena pārslēdzēja darbība

► **Att.6:** 1. Griešanās virziena pārslēdzēja svira

**▲UZMANĪBU:** Pirms sākat strādāt, vienmēr pārbaudiet griešanās virzienu.

**▲UZMANĪBU:** Izmantojiet griešanās virziena pārslēdzēju tikai pēc darbarīka pilnīgas apstāšanās. Griešanās virziena maiņa pirms darbarīka pilnīgas apstāšanās var to sabojāt.

**▲UZMANĪBU:** Kamēr darbarīks netiek izmantots, vienmēr uzstādiet griešanās virziena pārslēdzēja sviru neitrālajā stāvoklī.

Šis darbarīks ir aprīkots ar pārslēdzēju, kas ļauj mainīt griešanās virzienu. Nospiediet griešanās virziena pārslēdzēja sviru no „A” puses rotācijai pulkstenrādītāju kustības virzienā vai no „B” puses rotācijai pretēji pulkstenrādītāju kustības virzienam. Ja griešanās virziena pārslēdzēja svira atrodas neitrālajā stāvoklī, slēdža mēlīti nevar nospiest.



## SDS-plus ātrās nomainās spīļpatronas maiņa

### Modelim HR002G/HR004G

SDS-plus ātrās nomainās spīļpatronu var viegli nomainīt pret ātrās nomainās urbjas spīļpatronu.




### SDS-plus ātrās nomainās spīļpatronas noņemšana

**▲UZMANĪBU:** Pirms SDS-plus ātrās nomainās spīļpatronas noņemšanas obligāti noņemiet uzgali.

Satveriet SDS-plus ātrās nomainās spīļpatronas maiņas aizsargu un pagrieziet to bultas virzienā, līdz maiņas aizsarga līnija pārvietojas no  simbola uz  simbolu. Spēcīgi pavelciet bultas virzienā.

► **Att.7:** 1. SDS-plus ātrās nomainās spīļpatrona  
2. Maiņas aizsargs 3. Maiņas aizsarga līnija

## Ātrās nomaiņas urbja spīļpatronas pievienošana

Pārbaudiet, vai ātrās nomaiņas urbja spīļpatronas līnija norāda uz simbolu . Satveriet ātrās nomaiņas urbja spīļpatronas maiņas aizsargu un iestatiet līniju pret simbolu . Novietojiet ātrās nomaiņas urbja spīļpatronu uz darbarīka vārpstas. Satveriet ātrās nomaiņas urbja spīļpatronas maiņas aizsargu un pagrieziet maiņas aizsarga līniju pret simbolu , līdz skaidri ir dzirdams klikšķis.


- **Att.8:** 1. Ātrās nomaiņas urbja spīļpatrona  
2. Vārpsta 3. Maiņas aizsarga līnija 4. Maiņas aizsargs

## Darba režīma izvēle

**IEVĒRĪBAI:** Negrieziet darba režīma pārslēdzēju, kad darbarīks darbojas. Darbarīks tiks sabojāts.

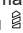
**IEVĒRĪBAI:** Lai režīma maiņas mehānisms ātri nenolietotos, pārliecinieties, ka darba režīma pārslēdzējs vienmēr precīzi atrodas kādā no trim darba režīma stāvokļiem.

## Triecienurbšana

Urbšanai betonā, mūrī u. c. pagrieziet darba režīma pārslēdzēju pret simbolu . Izmantojiet volframa-karbidā uzgali (papildpiederums).


- **Att.9:** 1. Triecienurbšana 2. Darba režīma pārslēdzējs

## Parasta urbšana

Urbšanai kokā, metālā vai plastmasā pagrieziet darba režīma pārslēdzēju pret simbolu . Izmantojiet spirālurbja uzgali vai kokurbja uzgali.

- **Att.10:** 1. Parasta urbšana

## Tikai kalšana

Atšķelšanai, materiālu noņemšanai vai nojaukšanai pagrieziet darba režīma pārslēdzēju pret simbolu . Izmantojiet punktsiitī, metāla kaltu, materiālu noņemšanas kaltu u. c.

- **Att.11:** 1. Parasta kalšana

## Āķis

**UZMANĪBU:** Vienmēr izņemiet akumulatoru, kad karat darbarīku aiz āķa.

**UZMANĪBU:** Nekad nekarīet darbarīku uz āķa lielā augstumā vai uz iespējami nestabilas virsmas.

Āķis ir noderīgs darbarīka īslaicīgai uzķāršanai. Lai lietotu āķi, vienkārši celiet to augšup, līdz tas fiksējas atvērtā pozīcijā. Ja neizmantojat āķi, obligāti nolaidiet to uz leju, līdz tas nofiksējas slēgtā pozīcijā.

- **Att.12:** 1. Āķis

- **Att.13**

## Saites (stiprinājuma saites) pievienošana āķim

**UZMANĪBU:** Neizmantojiet bojātu āķi un skrūves. Pirms lietošanas vienmēr pārbaudiet, vai nav bojājumu, plaisu un deformējušās daļas, kā arī pārliecinieties, ka skrūves ir cieši pievilktas.

**UZMANĪBU:** Pārliecinieties, vai āķis ir pareizi nostiprināts ar skrūvēm.

**UZMANĪBU:** Neatvienojiet akumulatora kasetni, kamēr darbarīks ir pakarināts. Darbarīks var nokrist, ja skrūves nav cieši pievilktas.

**UZMANĪBU:** Vienmēr izmantojiet stiprinājuma karabīni (daudzfunkciju un skrūvējuma savienojuma tipa) un raugieties, lai saite (stiprinājuma saite) ir pievienota āķa dubultcilpas daļai. Nepareizas pievienošanas gadījumā darbarīks var nokrist no āķa un izraisīt traumas.

Āķis ir paredzēts arī saites (stiprinājuma saites) pievienošanai. Raugieties, lai saite (stiprinājuma saite) tiek piestiprināta āķa dubultcilpas daļai.

- **Att.14:** 1. Āķa dubultcilpas daļa 2. Saite (stiprinājuma saite) 3. Stiprinājuma karabīne (daudzfunkciju un skrūvējuma savienojuma tipa)

## Putekļu savākšanas sistēmas uzgaļa pozīcijas regulēšana

### Papildpiederumi

Iespiediet vadotni, vienlaikus spiežot uz augšu vadotnes regulēšanas pogu, pēc tam vēlamajā pozīcijā atlaidiet pogu.

- **Att.15:** 1. Vadotne 2. Vadotnes regulēšanas poga

**PIEŅĪME:** Pirms uzgaļa pozīcijas regulēšanas, spiežot uz augšu vadotnes regulēšanas pogu, atbrīvojiet uzgali virzienā uz priekšu līdz galam.

Ja ir uzstādīts garais urbja uzgali, pagariniet vadotni, spiežot uz augšu pagarinājuma pogu.

- **Att.16:** 1. Pagarinājuma poga

## Putekļu savākšanas sistēmas urbšanas dziļuma regulēšana

### Papildpiederumi

Bidiet dziļuma regulēšanas pogu vēlamajā pozīcijā, to spiežot uz augšu. Attālums (A) ir urbšanas dziļums.

- **Att.17:** 1. Dziļuma regulēšanas poga

## Griezies momenta ierobežotājs

**IEVĒRĪBAI:** Tiklīdz ieslēdzas griezes momenta ierobežotājs, nekavējoties izslēdziet darbarīku. Tādējādi novērsīsiet priekšlaicīgu darbarīka nolietošanos.

**IEVĒRĪBAI:** Šim darbarīkam nav piemēroti tādi urbšanas uzgali kā gredzenzāģi, kas bieži mēdz iespieties vai iekerties atverēs. Tam par iemeslu ir apstākļi, ka pārāk bieži ieslēgsies griezes momenta ierobežotājs.

Griezies momenta ierobežotājs ieslēgsies, sasniedzot noteiktu griezes momenta līmeni. Motors atvienosies no dzenamās vārpstas. Kad tas notiek, urbja uzgali pārstāj griezties.

## Elektronika

Lai atvieglotu lietošanu, darbarīks ir aprīkots ar elektroniskām funkcijām.

- **Nemainīga ātruma vadība**  
Ātruma vadības funkcijas nodrošina nemainīgu griešanās ātrumu neatkarīgi no slodzes.
- **Aktivās reakcijas tehnoloģija** (modelim HR001G/HR002G)  
Ja darbarīks tiek vēzēts ar iepriekš noteiktu paštrinājumu ekspluatācijas laikā, motors tiek ar spēku apturēts, lai samazinātu slodzi uz plaukstas locītavu.

**PIEZĪME:** Šī funkcija nedarbojas, ja darbarīka vēzēšanas laikā paštrinājums nesasniedz iepriekš noteiktu vērtību.

**PIEZĪME:** Ja kalšanas, materiālu noņemšanas vai jaukšanas darbu laikā uzgalis ar iepriekš noteiktu paštrinājumu tiek vēzēts, motors piespiedu kārtā tiek apturēts. Šādā gadījumā atļaidiet un tad atkal pavelciet slēdža mēlīti, lai atkārtoti iedarbinātu darbarīku.

## MONTĀŽA

**⚠UZMANĪBU:** Pirms darbarīka regulēšanas vai apkopes vienmēr pārliecinieties, ka darbarīks ir izslēgts un akumulatora kasetne ir izņemta.

### Sānu rokturis (palīgrokturis)

**⚠UZMANĪBU:** Lai darbu veiktu droši, vienmēr izmantojiet sānu rokturi.

**⚠UZMANĪBU:** Pēc sānu roktura uzstādīšanas vai regulēšanas pārliecinieties, ka tas ir stingri nostiprināts.

Lai uzstādītu sānu rokturi, rīkojieties, kā norādīts tālāk.

1. Atļaidiet spārnskrūvi uz sānu roktura.  
► **Att.18:** 1. Spārnskrūve
2. Uzstādiēt sānu rokturi vienlaikus spiežot uz spārnskrūves tā, lai roktura rievās iegultos darbarīka korpusa izciļņos.  
► **Att.19:** 1. Spārnskrūve
3. Pieskrūvējiet spārnskrūvi, lai nostiprinātu rokturi. Rokturi ir iespējams nostiprināt vēlamajā leņķī.

## Elļošana

Vispirms urbja uzgaļa kātu pārklājiet ar nelielu daudzumu ziedes (apmēram 0,5–1 g). Šādi ieeļļojot spīlpatronu, darbība būs vienmērīga un paildzināsies tās darbūmūz.

## Urbja uzgaļa uzstādīšana un noņemšana

Notīriet urbja uzgaļa kāta galu un pirms urbja uzgaļa uzstādīšanas uzklājiet ziedi.

► **Att.20:** 1. Kāta gals 2. Elļošana

Ievietojiet urbja uzgali darbarīkā. Pagrieziet urbja uzgali un iespiediet to, līdz tas fiksējas.

Pēc uzstādīšanas vienmēr pārliecinieties, ka tas stingri turas, mēģinot uzgali izvilkt.

► **Att.21:** 1. Urbja uzgalis

Lai izņemtu urbja uzgali, pavelciet spīlpatronas aizsargu pilnībā uz leju un izvelciet urbja uzgali.

► **Att.22:** 1. Urbja uzgalis 2. Spīlpatronas aizsargs

## Kalta leņķis (atšķelšanai, materiālu noņemšanai vai nojaukšanai)

Kaltu ir iespējams nostiprināt vēlamajā leņķī. Lai mainītu kalta leņķi, pagrieziet darba režīma pārslēdzēju pret simbolu O. Pagrieziet kaltu vēlamajā leņķī.

► **Att.23:** 1. Darba režīma pārslēdzējs

Pagrieziet darba režīma pārslēdzēju pret simbolu T. Tad, nedaudz pagriežot kaltu, pārliecinieties, ka tas turas stingri.

## Dziļummērs

Dziļummērs ir noderīgs vienāda dziļuma caurumu urbšanai.

Nospiediet un turiet nospiestu bloķēšanas pogu un ievietojiet dziļummēru seššķautņņu atverē. Pārbaudiet, vai dziļummēra robotā mala pavērsta pret atzīmi.

► **Att.24:** 1. Dziļummērs 2. Bloķēšanas poga 3. Atzīme 4. Robotā mala

Noregulējiet dziļummēru, to virzot uz priekšu un atpakaļ, kamēr nospiesta bloķēšanas poga. Pēc noregulēšanas atļaidiet bloķēšanas pogu, lai nofiksētu dziļummēru.

**PIEZĪME:** Pārliecinieties, ka dziļummērs, to piestiprinot, nesaskaras ar galveno darbarīka korpusu.

## Putekļu savākšanas sistēmas pievienošana un noņemšana

### Papildpiederumi

Lai uzstādītu putekļu savākšanas sistēmu, ievietojiet darbarīku putekļu savākšanas sistēmā līdz galam, līdz tas fiksējas vietā ar nelielu dubultklikšķi.

► **Att.25**

Lai noņemtu putekļu savākšanas sistēmu, velciet darbarīku, vienlaikus spiežot atbloķēšanas pogu.

► **Att.26:** 1. Atbloķēšanas poga

## Putekļu piltuve

### Papildpiederumi

Urbjot virs galvas līmeņa, izmantojiet putekļu piltuvi, lai putekļi nekristu uz darbarīka un jums. Piestipriniet putekļu piltuvi pie uzgaļa, kā parādīts attēlā. Tālāk norādīts uzgaļa izmērs, pie kuriem var piestiprināt putekļu piltuvi.

Modelis	Uzgaļa diametrs
Putekļu piltuve 5	6–14,5 mm
Putekļu piltuve 9	12–16 mm

► **Att.27:** 1. Putekļu piltuve

## Putekļu piltuves komplekts

### Papildpiederumi

Pirms putekļu piltuves komplekta uzstādīšanas no darbarīka noņemiet uzgali, ja tas ir pievienots. Putekļu piltuves komplektu uz darbarīka uzstādiat tā, lai simbols  $\triangle$  uz putekļu piltuves būtu novietots pret rievām uz darbarīka.

► **Att.28:** 1. Simbols  $\triangle$  2. Rieva

**PIEZĪME:** Ja putekļu piltuves komplektam pievienojat putekšsūcēju, pirms pievienošanas noņemiet putekļu vāciņu.

► **Att.29:** 1. Putekļu vāciņš

Lai noņemtu putekļu piltuves komplektu, noņemiet uzgali, vienlaikus bultas virzienā veikt spļīpatronas aizsargu.

► **Att.30:** 1. Uzgalis 2. Spļīpatronas aizsargs

Satveriet putekļu piltuves pamatni un izvelciet putekļu piltuvi.

► **Att.31**

**PIEZĪME:** Ja vāciņš atdalās no putekļu piltuves, piestipriniet to ar marķēto pusi vērstu augšup, lai vāciņa rieva nostiprinātos stiprinājuma iekšpusē.

► **Att.32**

## EKSPLUATĀCIJA

**▲UZMANĪBU:** Darba laikā vienmēr izmantojiet sānu rokturi (palīgrokturi) un stingri turiet darbarīku aiz abiem sānu rokturiem un slēdža roktura.

**▲UZMANĪBU:** Pirms darba sākšanas vienmēr pārliecinieties, ka apstrādājama materiāls ir nostiprināts.

**▲UZMANĪBU:** Nevelciet darbarīku ārā ar spēku pat tad, ja iesprūst uzgalis. Zaudējot kontroli, ir iespējams radīt ievainojumus.

**▲UZMANĪBU:** Putekļu savākšanas sistēma ir paredzēta tikai urbšanai betonā. Nelietojiet putekļu savākšanas sistēmu, urbjot metālā vai kokmateriālā.

**▲UZMANĪBU:** Lietojot darbarīku ar putekļu savākšanas sistēmu, putekļu savākšanas sistēmai obligāti pievienojiet filtru, lai novērstu putekļu ieelpošanu.

**▲UZMANĪBU:** Pirms putekļu savākšanas sistēmas lietošanas, pārbaudiet, vai filtrs nav bojāts. Neievērojot šo noteikumu, var ielopot putekļus.

**▲UZMANĪBU:** Putekļu savākšanas sistēma savāc ievērojamu radušos putekļu daudzumu, bet visus putekļus nav iespējams savākt.

**IEVĒRĪBAI:** Nelietojiet putekļu savākšanas sistēmu, urbjot ar kroņurbi vai kaļot.

**IEVĒRĪBAI:** Nelietojiet putekļu savākšanas sistēmu, urbjot mitrā betonā, un nelietojiet šo sistēmu mitrā vidē. Neievērojot šo noteikumu, var gūt ievainojumus.

**PIEZĪME:** Ja akumulatora kasetnes temperatūra ir zema, darbarīka darbība var tikt samazināta. Šādā gadījumā, lai panāktu darbarīka maksimālu veiktspēju, sasildiet akumulatora kasetni, tsaiļcīgi darbinot darbarīku bez slodzes.

► **Att.33**

## Triecienurbšana


**▲UZMANĪBU:** Cauruma izlaušanas brīdī, arī caurumam nosprostojoties ar skaidām un materiāla daļiņām vai trāpot betonā esošajiem armatūras stieniem, uz darbarīku un urbja uzgali iedarbojas ārkārtīgi liels un pēkšņs vērpes spēks. **Darba laikā vienmēr izmantojiet sānu rokturi (palīgrokturi) un stingri turiet darbarīku aiz abiem sānu rokturiem un slēdža roktura.** Ja šādi nerīkosities, varat zaudēt darbarīka vadību un gūt smagas traumas.

Pagrieziet darba režīma pārslēdzēju pret simbolu  $\text{T}$ . Novietojiet urbja uzgali vietā, kur nepieciešams caurums, tad nospiediet slēdža mēlīti. Nelietojiet darbarīku ar spēku. Labāko rezultātu iespējams panākt ar vieglu spiedienu. Saglabājiet darbarīku šādā stāvoklī un nepieļaujiet tā novirzīšanos no cauruma.

Ja caurums nosprostojas ar skaidām vai materiāla daļiņām, nespiediet darbarīku spēcīgāk. Tā vietā darbiniet darbarīku tukšgaitā, tad daļēji izvelciet urbja uzgali no cauruma. Veicot šo darbību atkārtoti, caurums tiks iztīrīts, un varēsīt atsākt parasto urbšanu.

**PIEZĪME:** Darbinot darbarīku bez slodzes, urbja uzgaļa griešanās var nebūt centrēta. Darba laikā darbarīks iecentrējas automātiski. Tas neietekmē urbšanas precizitāti.

## Atšķelšana/materiālu noņemšana/ nojaukšana

Pagrieziet darba režīma pārlēdzēju pret simbolu . Stingri turiet darbarīku ar abām rokām. Ieslēdziet darbarīku un nedaudz uzspiediet uz tā, lai darbarīks nevadāmi nelēkātu. Stingri spiežot darbarīku, tā efektivitāte nepalielināsies.

► **Att.34**

## Urbšana kokā vai metālā


**⚠UZMANĪBU:** Stingri turiet darbarīku un īpaši uzmanieties brīdī, kad urbja uzgali sāk virzīties cauri apstrādājamaj daļai. Cauruma izveides brīdī uz darbarīku un uzgali iedarbojas ļoti liels spēks.

**⚠UZMANĪBU:** Iestrēgušu urbja uzgali var atbrīvēt, vienkārši uzstādot griešanās virziena pārlēdzēju pretējā virzienā, lai urbis tiktu virzīts atpakaļ virzienā uz āru. Taču uzmanieties, jo, ja ierīci neturēsiet stingri, tā var strauji virzīties atpakaļ.

**⚠UZMANĪBU:** Nelielas apstrādājamās detaļas vienmēr ievietojiet skrūvspīlēs vai citā stiprinājumā ierīcē.

**IEVĒRĪBAI:** Nekad neizmantojiet „trīcienurbšanas” režīmu, ja darbarīkam ir uzstādīta urbja spīlpatrona. Urbja spīlpatrona var tikt bojāta. Mainot darbarīka griešanās virzienu, urbja spīlpatrona nokrītīs.

**IEVĒRĪBAI:** Pārmērīgs spiediens uz darbarīku urbšanas ātrumu nepalielinās. Patiesībā pārmērīgs spiediens tikai sabojās urbja uzgali, samazinās darbarīka jaudu un saīsinās tā kalpošanas laiku.

Pagrieziet darbības režīma maiņas gredzenu pret simbolu .

## Modelim HR001G/HR003G

### Papildpiederumi

Pievienojiet spīlpatronas pāreju urbja spīlpatronai bez atslēgas, kurā var ievietot 1/2”–20 izmēra skrūvi, un pēc tam pievienojiet to darbarīkam. Veicot uzstādīšanu, skatiet sadaļu „Urbja uzgala uzstādīšana un noņemšana”.

- **Att.35:** 1. Urbja spīlpatrona bez atslēgas  
2. Spīlpatronas pāreja

## Modelim HR002G/HR004G

Izmantojiet ātrās nomainās urbja spīlpatronu kā standartpiederumu. Veicot uzstādīšanu, skatiet „SDS-plus ātrās nomainās spīlpatronas maiņa”.


Turiet gredzenu un grieziet uzmavu pretēji pulksteņrādītāju kustības virzienam, lai atvērtu spīlpatronas spīles. Ievietojiet uzgali spīlpatronā līdz galam. Cieši turiet gredzenu un grieziet uzmavu pulksteņrādītāju kustības virzienā, lai pievilktu spīlpatronu.

- **Att.36:** 1. Uzmava 2. Gredzens

Lai izņemtu uzgali, turiet gredzenu un grieziet uzmavu pretēji pulksteņrādītāju kustības virzienam.

## Urbšana ar dimanta cilindrisko urbi

**IEVĒRĪBAI:** Ja urbsiet ar dimanta cilindrisko urbi, izmantojot „trīcienurbšanas” režīmu, dimanta cilindriskais urbis var tikt bojāts.

Urbjot ar dimanta kroņurbi, vienmēr uzstādiēt darbības režīma maiņas pogu stāvoklī , lai izmantotu „tikai rotācijas” darbību.

## Netīrumu nosīšana no filtra

### Papildpiederumi

**⚠UZMANĪBU:** Kamēr atvienojat putekļu tvertni no putekļu savākšanas sistēmas, negrieziet putekļu tvertnes ciparripu. Citādi varat ieelpot putekļus.

**⚠UZMANĪBU:** Griežot putekļu tvertnes ciparripu, darbarīkam vienmēr jābūt izslēgtam. Griežot putekļu tvertnes ciparripu, kad darbarīks ir ieslēgts, varat zaudēt kontroli pār darbarīku.

Nosītot netīrumus no putekļu ietvarā esošā filtra, jūs saglabāsiet putekļu sūcēja efektivitāti un samazināsiet putekļu iztīrīšanas biežumu. Kad savākti 50 000 mm<sup>3</sup> putekļu vai ja liekas, ka mazinājusies putekļu sūcēja jauda, trīs reizes pagrieziet putekļu ietvara ripu.

**PIEZĪME:** 50 000 mm<sup>3</sup> putekļu rodas, izurbjot 10 caurumus, kuru diametrs ir 10 mm un dziļums ir 65 mm (14 caurumus, kuru diametrs ir 3/8” un dziļums ir 2”).

- **Att.37:** 1. Putekļu ietvars 2. Ripa

## Putekļu likvidēšana

### Papildpiederumi

**⚠UZMANĪBU:** Pirms darbarīka regulēšanas vai apkopes vienmēr pārliecinieties, ka darbarīks ir izslēgts un akumulatora kasetne ir izņemta.

**⚠UZMANĪBU:** Likvidējot putekļus, lietojiet respiratoru.

**⚠UZMANĪBU:** Regulāri iztukšojiet putekļu tvertni, pirms tā kļūst pilna. Neievērojot šo noteikumu, var samazināties putekļu savākšanas spēja un var ieelpot putekļus.

**⚠UZMANĪBU:** Putekļu tvertnes filtram aizsprostojoties, samazinās putekļu savākšanas spēja. Iesakām putekļu filtru nomainīt pret jaunu apmēram pēc 200 putekļu savākšanas reizēm. Neievērojot šo noteikumu, var ieelpot putekļus.

1. Spiežot lejup putekļu tvertnes sviru, izņemiet putekļu tvertni.

- **Att.38:** 1. Svira

2. Atveriet putekļu tvertnes vāciņu.

- **Att.39:** 1. Vāciņš

3. Izberiet putekļus un pēc tam iztīriet filtru.

- **Att.40**

**IEVĒRĪBAI:** Tīrot filtru, ar roku viegli uzsitiet pa filtra korpusu, lai notīrītu putekļus. Nesitiet tieši pa filtru, pieskarieties filtram ar suku vai līdzīgu priekšmetu, kā arī nepūtiat filtrā saspīestu gaisu. Tādējādi varat sabojāt filtru.



## Izpūšanas balons

### Papildpiederumi

Pēc cauruma izurbšanas ar izpūšanas balonu iztīriet putekļus no cauruma.

► Att.41

## Putekļu piltuves komplekta lietošana

### Papildpiederumi

Lietojot darbarīku, turiet putekļu piltuves komplektu pret griestiem.

► Att.42

**IEVĒRĪBAI:** Nelietojiet putekļu piltuves komplektu, urbjot metālā vai tamlīdzīgā materiālā. Tā kā metāla putekļi un tamlīdzīgi materiāli rada karstumu, putekļu piltuves komplektu var sabojāt.

**IEVĒRĪBAI:** Neuzstādiet un nenoņemiet putekļu piltuves komplektu, ja darbarīkā ir ievietots urbja uzgalis. Tādējādi var sabojāt putekļu piltuves komplektu, un var rasties putekļu noplūde.

## Saites (stiprinājuma saites) pievienošana āķim

**⚠ Specifiskie drošības brīdinājumi, strādājot lielā augstumā**

Izlasiet visas drošības brīdinājumus un norādījumus. Neievērojot brīdinājumus un norādījumus, iespējams gūt nopietnus ievainojumus.

1. Strādājot augstumā, vienmēr nostipriniet darbarīku ar stiprinājuma saiti. Saites maksimālais garums ir 2 m. Maksimālais pieļaujamais darbarīka krišanas augstums saitei (stiprinājuma saitei) nedrīkst pārsniegt 2 m.
2. Izmantojiet tikai tādas saites, kas piemērotas šim darbarīka veidam un ir paredzētas vismaz 8,0 kg smagumam.
3. Nenostipriniet darbarīka saiti pie sava ķermeņa vai pie kustīgiem priekšmetiem. Nostipriniet darbarīka saiti pie stingras konstrukcijas, kas var izturēt krītoša darbarīka radītos spēkus.
4. Pirms izmantošanas pārliedzinieties, ka saites abi gali ir pienācīgi nostiprināti.
5. Pirms katras izmantošanas reizes pārbaudiet, vai darbarīkam un saitei nav kādu bojājumu un tie veic savas funkcijas (pārbaudiet arī audumu un šuves). Neizmantojiet, ja tiem ir bojājumi vai tie pienācīgi neveic savas funkcijas.
6. Netiniet saites ap asām vai raupjām šķautnēm un raugiet, lai saite ar šādām šķautnēm nesaskartos.
7. Nostipriniet otru saites galu ārpus darba zonas, lai tā droši noturētu krītošu darbarīku.
8. Pievienojiet saiti tā, lai darbarīks, ja tas krīt, pārvietotos virzienā prom no lietotāja. Nokrituši darbarīki šūposies saitē, un tas varētu izraisīt savainojumus vai līdzsvara zudumu.

9. Neizmantojiet kustīgu daļu vai darbojošos iekārtu tuvumā. Pretējā gadījumā var būt sasišanas vai sapīšanās risks.
10. Nesot darbarīku, neturiet to aiz pievienotās ierīces vai saites.
11. Ja vēlaties paņemt darbarīku no vienas rokas otrā, vispirms nostāieties stabilā pozīcijā.
12. Pievienojiet saites darbarīkam tā, lai tās netraucētu slēdžu vai slēdža mēlītes fiksatoru (ja tāds pieejams) pareizai darbībai.
13. Nesapīnieties saitē.
14. Raugiet, lai saite neatrastos darbarīka urbšanas zonā.
15. Izmantojiet stiprinājuma karabīni (daudzfunkciju un skrūvējuma savienojuma tipa). Neizmantojiet vienkāršās karabīnes ar atsperes savienojumu.
16. Gadījumā, ja darbarīks nokrīt, tam jāpievieno etiķete, un to nedrīkst ekspluatēt; darbarīks ir jāpārbauda Makita rūpnīcā vai pilnvarotā servisa centrā.

## BEZVADU SISTĒMAS AKTIVIZĒŠANAS FUNKCIJA

Papildaprīkojums modelim HR001G/HR002G

### Iespējas, ko sniedz bezvadu sistēmas aktivizēšanas funkcija

Bezvadu sistēmas aktivizēšanas funkcija nodrošina tīru un ērtu darbību. Pieslēdzot atbilstošu putekļu sūcēju darbarīkam, putekļu sūcēju iespējams darbināt automātiski kopā ar darbarīka pārslēgšanas darbību.

► Att.43

Lai izmantotu bezvadu sistēmas aktivizēšanas funkciju, sagatavojiet ierīces.

- Bezvadu ierīci (papildu piederums)
- Putekļu sūcēju, kas atbalsta bezvadu sistēmas aktivizēšanas funkciju

Bezvadu sistēmas aktivizēšanas funkcijas iestatīšanas kopsavilkums. Plašāk par darbībām skatiet šajās sadaļās.

1. Bezvadu ierīces uzstādīšana
2. Darbarīka reģistrācija putekļu sūcējam
3. Bezvadu sistēmas aktivizēšanas funkcijas startēšana

## Bezvadu ierīces uzstādīšana

Papildu piederumi

**⚠ UZMANĪBU:** Kad uzstādāt bezvadu ierīci, darbarīku nolieciet uz līdzenas un stabilas virsmas.



**IEVĒRĪBAI:** Pirms bezvadu ierīces uzstādīšanas no darbarīka noīriet putekļus un neīrumus. Ja bezvadu ierīces atverē iekļūst putekļi vai neīrumi, tie var izraisīt darbības traucējumus.

**IEVĒRĪBAI:** Lai novērstu statiskās enerģijas radītās darbības traucējumus, pirms bezvadu ierīces pacelšanas pieskarieties statisko enerģiju izlādējošam materiālam, piemēram, darbarīka metālskakai daļai.

**IEVĒRĪBAI:** Uzstādot bezvadu ierīci, vienmēr pārliecinieties, ka bezvadu ierīce ievietota pareizajā virzienā, un pārsegs ir pilnībā aizvērts.

1. Atveriet darbarīka pārsegu, kā parādīts attēlā.  
▶ **Att.44:** 1. Pārsegs
2. Bezvadu ierīci pievienojiet atverei un aizveriet pārsegu. Pievienojot bezvadu ierīci, izvirzījumus savietojiet ar padziļinājuma vietām uz atveres.  
▶ **Att.45:** 1. Bezvadu ierīce 2. Izvirzījums 3. Pārsegs 4. Padziļinājuma daļa

Noņemot bezvadu ierīci, pārsegu atveriet lēni. Ar āķiem pārsega aizmugurē bezvadu ierīce pacelsies līdz ar pārsega atvēršanu.

▶ **Att.46:** 1. Bezvadu ierīce 2. Āķis 3. Pārsegs

Pēc bezvadu ierīces noņemšanas glabājiet to komplekta ietvarā vai nestatiskā konteinerā.

**IEVĒRĪBAI:** Noņemot bezvadu ierīci, vienmēr izmantojiet āķus pārsega aizmugurē. Ja āķi nesatver bezvadu ierīci, tad pārsegu aizveriet un lēni atkal atveriet.

## Darbarīka reģistrācija putekļu sūcējam

**PIEZĪME:** Lai reģistrētu darbarīku, nepieciešams Makita putekļu sūcējs, kas atbalsta bezvadu sistēmas aktivizēšanas funkciju.

**PIEZĪME:** Vispirms pabeidziet bezvadu ierīci uzstādot darbarīkam, tikai tad sāciet darbarīka reģistrāciju.

**PIEZĪME:** Darbarīka reģistrācijas laikā nospiediet slēdža mēlīti un nospiediet ieslēgšanas slēdzi uz putekļu sūcēja.

**PIEZĪME:** Skatiet arī putekļu sūcēja lietošanas rokasgrāmatu.

Ja putekļu sūcēju vēlaties aktivizēt reizē ar darbarīka pārslēgšanas darbību, vispirms pabeidziet darbarīka reģistrāciju.

1. Putekļu sūcējā un darbarīkā ielieciet akumulatorus.
2. Gaidstāves slēdzi uz putekļu sūcēja pārslēdziet pozīcijā „AUTO”.  
▶ **Att.47:** 1. Gaidstāves slēdzis
3. Nospiediet bezvadu sistēmas aktivizēšanas pogu uz putekļu sūcēja un turiet 3 sekundes, līdz bezvadu sistēmas aktivizēšanas lampiņa mirgo zaļā krāsā. Un tad tādā pašā veidā nospiediet bezvadu sistēmas aktivizēšanas pogu uz darbarīka.  
▶ **Att.48:** 1. Bezvadu sistēmas aktivizēšanas poga 2. Bezvadu sistēmas aktivizēšanas lampiņa

Ja putekļu sūcējs un darbarīks savienoti veiksmīgi, bezvadu sistēmas aktivizēšanas lampiņas 2 sekundes degs zaļā krāsā un tad sāks mirgot zilā krāsā.

**PIEZĪME:** Bezvadu sistēmas aktivizēšanas lampiņas zaļā krāsā beidz mirgot pēc 20 sekundēm. Kamēr uz putekļu sūcēja mirgo bezvadu sistēmas aktivizēšanas lampiņa, nospiediet bezvadu sistēmas aktivizēšanas pogu uz darbarīka. Ja bezvadu sistēmas aktivizēšanas lampiņa nemirgo zaļā krāsā, uz mirkli piespiediet un atkal paturiet nospiestu bezvadu sistēmas aktivizēšanas pogu.

**PIEZĪME:** Ja vienam putekļu sūcējam reģistrējat divus vai vairākus darbarīkus, tad darbarīku reģistrāciju pabeidziet secīgi.

## Bezvadu sistēmas aktivizēšanas funkcijas startēšana

**PIEZĪME:** Vispirms pabeidziet darbarīka reģistrāciju putekļu sūcējam, tikai tad aktivizējiet bezvadu sistēmu.

**PIEZĪME:** Skatiet arī putekļu sūcēja lietošanas rokasgrāmatu.

Kad putekļu sūcējs būs reģistrēts darbarīkam, putekļu sūcējs automātiski darbosies kopā ar darbarīka pārslēgšanas darbību.

1. Uzstādiet bezvadu ierīci darbarīkam.
2. Putekļu sūcēja šļūteni savienojiet ar darbarīku.  
▶ **Att.49**
3. Gaidstāves slēdzi uz putekļu sūcēja pārslēdziet pozīcijā „AUTO”.  
▶ **Att.50:** 1. Gaidstāves slēdzis
4. Uz mirkli piespiediet bezvadu sistēmas aktivizēšanas pogu uz darbarīka. Bezvadu sistēmas aktivizēšanas lampiņa iemirgosies zilā krāsā.  
▶ **Att.51:** 1. Bezvadu sistēmas aktivizēšanas poga 2. Bezvadu sistēmas aktivizēšanas lampiņa
5. Nospiediet darbarīka slēdža mēlīti. Pārbaudiet, vai putekļu sūcējs darbojas, kamēr slēdža mēlīte ir nospiesta.

Lai apturētu putekļu sūcēja bezvadu sistēmas aktivizēšanu, nospiediet bezvadu sistēmas aktivizēšanas pogu uz darbarīka.

**PIEZĪME:** Bezvadu sistēmas aktivizēšanas lampiņa uz darbarīka beigs mirgot zilā krāsā, kad darbarīks bezdarbībā būs bijis 2 stundas. Šajā gadījumā gaidstāves slēdzi uz putekļu sūcēja pārslēdziet pozīcijā „AUTO” un atkal nospiediet bezvadu sistēmas aktivizēšanas pogu uz darbarīka.

**PIEZĪME:** Putekļu sūcējs ieslēdzas/izslēdzas ar aizkavi. Kad putekļu sūcējs konstatē darbarīka pārslēgšanas darbību, rodas laika nobīde.



**PIEZĪME:** Atrašanās vietas un apkārtējo apstākļu dēļ var atšķirties bezvadu ierīces signāla uztveršanas attālumus.

**PIEZĪME:** Kad pie viena putekļu sūcēja pieslēgti divi vai vairāki darbarīki, putekļu sūcējs var sākt darboties pat tad, ja nespiež slēdža mēlīti, jo bezvadu sistēmas aktivizēšanas funkciju izmanto cits lietotājs.

## Bezvadu sistēmas aktivizēšanas lampiņas statusa apraksts

### ► Att.52: 1. Bezvadu sistēmas aktivizēšanas lampiņa

Bezvadu sistēmas aktivizēšanas lampiņa rāda bezvadu sistēmas aktivizēšanas funkcijas statusu. Lampiņas statusa nozīme norādīta tabulā.

Statuss	Bezvadu sistēmas aktivizēšanas lampiņa				Apraksts
	Krāsa	 Deg	 Mirgo	Ilgums	
Gaidstāve	Zila	<input checked="" type="checkbox"/>		2 stundas	Putekļu sūcēja bezvadu sistēmas aktivizēšana ir iespējama. Kad darbarīks bezdarbībā būs bijis 2 stundas, lampiņa izslēgsies automātiski.
		<input type="checkbox"/>		Kad darbarīks darbojas.	Putekļu sūcēja bezvadu sistēmas aktivizēšana ir iespējama, darbarīks darbojas.
Darbarīka reģistrācija	Zaļa	<input checked="" type="checkbox"/>		20 sekundes	Sistēma ir gatava darbarīka reģistrācijai. Tiek gaidīta putekļu sūcēja reģistrācija.
		<input type="checkbox"/>		2 sekundes	Darbarīka reģistrācija ir pabeigta. Bezvadu sistēmas aktivizēšanas lampiņa sāks mirgot zilā krāsā.
Darbarīka reģistrācijas atcelšana	Sarkana	<input checked="" type="checkbox"/>		20 sekundes	Sistēma ir gatava darbarīka reģistrācijas atcelšanai. Tiek gaidīta reģistrācijas atcelšana no putekļu sūcēja puses.
		<input type="checkbox"/>		2 sekundes	Darbarīka reģistrācijas atcelšana ir pabeigta. Bezvadu sistēmas aktivizēšanas lampiņa sāks mirgot zilā krāsā.
Cits	Sarkana	<input type="checkbox"/>		3 sekundes	Bezvadu ierīce saņem strāvu, sāk darboties bezvadu sistēmas aktivizēšanas funkcija.
	Nedeg	-		-	Putekļu sūcēja bezvadu sistēmas aktivizēšana ir apturēta.

## Darbarīka reģistrācijas atcelšana putekļu sūcējam

Atceļot darbarīka reģistrāciju putekļu sūcējam, jārikojas šādi.

1. Putekļu sūcējā un darbarīkā ielieciet akumulatorus.
2. Gaidstāves slēdzi uz putekļu sūcēja pārslēdziet pozīcijā „AUTO”.

### ► Att.53: 1. Gaidstāves slēdzis

3. Nospiediet bezvadu sistēmas aktivizēšanas pogu uz putekļu sūcēja un turiet 6 sekundes. Bezvadu sistēmas aktivizēšanas lampiņa nomirgo zaļā krāsā un tad kļūst sarkana. Pēc tam tādā pašā veidā nospiediet bezvadu sistēmas aktivizēšanas pogu uz darbarīka.

- Att.54: 1. Bezvadu sistēmas aktivizēšanas poga  
2. Bezvadu sistēmas aktivizēšanas lampiņa

Ja atcelšana notikusi veiksmīgi, bezvadu sistēmas aktivizēšanas lampiņas 2 sekundes degs sarkanā krāsā un sāks mirgot zilā krāsā.

**PIEZĪME:** Bezvadu sistēmas aktivizēšanas lampiņas sarkanā krāsā beidz mirgot pēc 20 sekundēm. Kamēr uz putekļu sūcēja mirgo bezvadu sistēmas aktivizēšanas lampiņa, nospiediet bezvadu sistēmas aktivizēšanas pogu uz darbarīka. Ja bezvadu sistēmas aktivizēšanas lampiņa nemirgo sarkanā krāsā, uz mirkli piespiediet un atkal paturiet nospiestu bezvadu sistēmas aktivizēšanas pogu.

## Traucējummeklēšana bezvadu sistēmas aktivizēšanas funkcijai

Pirms nodošanas remontā vispirms veiciet pārbaudi pats. Ja konstatējat kļūmi, kas nav aprakstīta rokasgrāmatā, nemēģiniet darbarīku izjaukt. Dodieties uz Makita pilnvarotu apkopes centru un remontam vienmēr izmantojiet tikai Makita rezerves daļas.

Neatbilstošas darbības stāvoklis	Iespējamais iemesls (kļūme)	Risinājums
Bezvadu sistēmas aktivizēšanas lampiņa neiedegas/nemirgo.	Bezvadu ierīce darbarīkā nav uzstādīta. Bezvadu ierīce darbarīkā ir uzstādīta nepareizi.	Uzstādiet bezvadu ierīci pareizi.
	Bezvadu ierīces izvads un/vai atvere ir netīra.	Uzmanīgi noslaukiet putekļus un netrumus no bezvadu ierīces izvada un iztīriet atveri.
	Bezvadu sistēmas aktivizēšanas poga uz darbarīka nav nospiesta.	Uz mirkli piespiediet bezvadu sistēmas aktivizēšanas pogu uz darbarīka.
	Gaidstāves slēdzis uz putekļu sūcēja nav ieslēgts pozīcijā „AUTO”.	Gaidstāves slēdzi uz putekļu sūcēja pārslēdziet pozīcijā „AUTO”.
	Nav strāvas padeves	Pieslēdziet strāvas padevi darbarīkam un putekļu sūcējam.
Neizdodas veiksmīgi pabeigt darbarīka reģistrāciju/darbarīka reģistrācijas atcelšanu.	Bezvadu ierīce darbarīkā nav uzstādīta. Bezvadu ierīce darbarīkā ir uzstādīta nepareizi.	Uzstādiet bezvadu ierīci pareizi.
	Bezvadu ierīces izvads un/vai atvere ir netīra.	Uzmanīgi noslaukiet putekļus un netrumus no bezvadu ierīces izvada un iztīriet atveri.
	Gaidstāves slēdzis uz putekļu sūcēja nav ieslēgts pozīcijā „AUTO”.	Gaidstāves slēdzi uz putekļu sūcēja pārslēdziet pozīcijā „AUTO”.
	Nav strāvas padeves	Pieslēdziet strāvas padevi darbarīkam un putekļu sūcējam.
	Nepareiza darbība	Uz mirkli piespiediet bezvadu sistēmas aktivizēšanas pogu un atkal veiciet darbarīka reģistrācijas/atcelšanas procedūru.
	Darbarīks un putekļu sūcējs atrodas tālu viens no otra (ārpus signāla uztveršanas zonas).	Darbarīku un putekļu sūcēju novietojiet tuvāk vienu otram. Maksimālais signāla uztveršanas attālums ir apmēram 10 m, taču apstākļu ietekmē tas var atšķirties.
	Pirms darbarīka reģistrācijas/atcelšanas pabeigšanas - slēdža mēlīte uz darbarīka ir nospiesta vai - ieslēgšanas poga uz putekļu sūcēja ir ieslēgta.	Uz mirkli piespiediet bezvadu sistēmas aktivizēšanas pogu un atkal veiciet darbarīka reģistrācijas/atcelšanas procedūru.
	Darbarīka reģistrācijas procedūra darbarīkam vai putekļu sūcējam nav pabeigta.	Vienlaikus veiciet darbarīka reģistrācijas procedūru gan darbarīkam, gan putekļu sūcējam.
	Radio traucējumi no citām iekārtām, kas ģenerē ļoti intensīvus radio viļņus.	Darbarīku un putekļu sūcēju neturiet tādu iekārtu tuvumā kā bezvadu tehnoloģiju (Wi-Fi) ierīces un mikroviļņu krāsnis.
	Putekļu sūcējs nedarbojas kopā ar darbarīka pārslēgšanas darbību.	Bezvadu ierīce darbarīkā nav uzstādīta. Bezvadu ierīce darbarīkā ir uzstādīta nepareizi.
Bezvadu ierīces izvads un/vai atvere ir netīra.		Uzmanīgi noslaukiet putekļus un netrumus no bezvadu ierīces izvada un iztīriet atveri.
Bezvadu sistēmas aktivizēšanas poga uz darbarīka nav nospiesta.		Uz mirkli piespiediet bezvadu sistēmas aktivizēšanas pogu un pārliecinieties, ka bezvadu sistēmas lampiņa mirgo zilā krāsā.
Gaidstāves slēdzis uz putekļu sūcēja nav ieslēgts pozīcijā „AUTO”.		Gaidstāves slēdzi uz putekļu sūcēja pārslēdziet pozīcijā „AUTO”.
Pie putekļu sūcēja ir pieslēgti vairāk nekā 10 darbarīki.		Atkārtoti reģistrējiet darbarīku. Ja putekļu sūcējam reģistrēti vairāk nekā 10 darbarīki, automātiski tiks atslēgts visenāk reģistrētais darbarīks.
Visu reģistrēto darbarīku iestatījumi ir izdzēsti no putekļu sūcēja.		Atkārtoti reģistrējiet darbarīku.
Nav strāvas padeves		Pieslēdziet strāvas padevi darbarīkam un putekļu sūcējam.
Darbarīks un putekļu sūcējs atrodas tālu viens no otra (ārpus signāla uztveršanas zonas).		Darbarīku un putekļu sūcēju novietojiet tuvāk vienu pie otra. Maksimālais signāla uztveršanas attālums ir apmēram 10 m, taču apstākļu ietekmē tas var atšķirties.
Radio traucējumi no citām iekārtām, kas ģenerē ļoti intensīvus radio viļņus.		Darbarīku un putekļu sūcēju neturiet tādu iekārtu tuvumā kā bezvadu tehnoloģiju (Wi-Fi) ierīces un mikroviļņu krāsnis.
Putekļu sūcējs darbojas, lai gan nav nospiesta darbarīka slēdža mēlīte.		Putekļu sūcēja bezvadu sistēmas aktivizēšanas funkciju saviem darbarīkiem izmanto citi lietotāji.

# APKOPE

**⚠ UZMANĪBU:** Pirms darbarīka pārbaudes vai apkopes vienmēr pārlicinieties, ka darbarīks ir izslēgts un akumulatora kasetne ir izņemta.

**IEVĒRĪBAI:** Nekad neizmantojiet gazolinu, benzīnu, atšķaidītāju, spirtu vai līdzīgus šķidrumus. Tas var radīt izbalēšanu, deformāciju vai plaisas.

Lai saglabātu izstrādājuma DROŠU un UZTICAMU darbību, remontdarbus, apkopi un regulēšanu uzticiet veikt tikai Makita pilnvarotam vai rūpnīcas apkopes centram, un vienmēr izmantojiet tikai Makita rezerves daļas.

## Putekļu tvertnes filtra maiņa

### Papildpiederumi

1. Spiežot lejup putekļu tvertnes sviru, izņemiet putekļu tvertni.  
▶ **Att.55:** 1. Svira
2. Ievietojiet plakangala skrūvgriezi filtra vāciņa atverēs, lai noņemtu filtra pārsegu.  
▶ **Att.56:** 1. Plakangala skrūvgriezis 2. Filtra pārsegs
3. No filtra korpusa izņemiet filtru.  
▶ **Att.57:** 1. Filtrs 2. Filtra korpus
4. Filtra korpusam pievienojiet jaunu filtru un tad uzstādiet filtra pārsegu.
5. Aizveriet putekļu tvertnes vāciņu un pēc tam pievienojiet putekļu tvertni pie putekļu savākšanas sistēmas.

## Hermētiskā vāciņa maiņa

### Papildpiederumi

Ja hermētiskais vāciņš ir nodilis, putekļu savākšanas spēja samazinās. Nomainiet to, ja tas ir nodilis. Noņemiet hermētisko vāciņu un pēc tam uzlieciet jaunu ar izvirkājumiem uz āru.

- ▶ **Att.58:** 1. Izvirkājums 2. Hermētiskais vāciņš

## PAPILDU PIEDERUMI

**⚠ UZMANĪBU:** Šādi piederumi un papildierīces tiek ieteiktas lietošanai ar šajā rokasgrāmatā aprakstīto Makita darbarīku. Izmantojot citus piederumus vai papildierīces, var tikt radīta trauma gūšanas bīstamība. Piederumu vai papildierīci izmantojiet tikai paredzētajam mērķim.

Ja jums vajadzīga palīdzība vai precīzāka informācija par šiem piederumiem, vērsieties savā tuvākajā Makita apkopes centrā.

- Urbja uzgaļi ar karbīdu (SDS Plus ar karbīdu stiegoti uzgaļi)
- Kroņurbis
- Punktsitis
- Dimanta kroņurbis
- Metāla kalts

- Materiālu noņemšanas kalts
- Rievu velmēšanas kalts
- Spīļpatronas pāreja
- Urbja spīļpatrona bez atslēgas
- Uzgaļu smērvielā
- Dzīļummērs
- Izpūšanas balons
- Putekļu piltuve
- Putekļu piltuves komplekts
- Āķa komplekts
- Putekļu tvertnes komplekts
- Urbja spīļpatronas komplekts
- Filtra komplekts
- Darbarīka turētāja komplekts
- Savienojuma komplekts
- Putekļu savākšanas sistēma
- Bezvadu ierīce
- Makita oriģinālais akumulators un lādētājs
- Aizsargbrilles
- Pārnēsāšanas futrālis no plastmasas

**PIEZĪME:** Daži sarakstā norādītie izstrādājumi var būt iekļauti instrumenta komplektācijā kā standarta piederumi. Tie dažādās valstīs var būt atšķirīgi.

## SPECIFIKACIJOS

Modelis:		HR001G	HR002G	HR003G	HR004G
Pajėgumai	Betonas	28 mm			
	Šerdinis grąžtas	54 mm			
	(Sausojo tipo) deimantinis šerdinis grąžtas	65 mm			
	Plienas	13 mm			
	Medis	32 mm			
Be apkrovos		0–980 min <sup>-1</sup>			
Smūgių per minutę		0–5 000 min <sup>-1</sup>			
Nominali įtampa		Nuolatinė 36 V – 40 V maks.			
Bendrasis ilgis	su BL4025	358 mm	389 mm	358 mm	389 mm
	su BL4040	373 mm	404 mm	373 mm	404 mm
Grynasis svoris		3,9–4,6 kg	4,1–4,6 kg	3,9–4,6 kg	4,0–4,5 kg

## Pasirenkamasis priedas

Modelis:	DX12 (skirta HR001G/HR003G)	DX14 (skirta HR002G/HR004G)
Siurbimo našumas	350 l/min	
Darbinė eiga	Iki 190 mm	
Tinkamas grąžtas	Iki 260 mm	
Nominali įtampa	Nuolatinė 36 V – 40 V maks.	
Grynasis svoris	1,6 kg	

- Atliekame tęstinius tyrimus ir nuolatos tobuliname savo gaminius, todėl čia pateikiamos specifikacijos gali būti keičiamos be įspėjimo.
- Skirtingose šalyse specifikacijos gali skirtis.
- Svoris gali priklausyti nuo priedo (-ų), įskaitant akumuliatoriaus kasetę. Lengviausias ir sunkiausias deriniai pagal EPTA 2014 m. sausio mėn. procedūrą yra parodyti lentelėje.

## Tinkama akumuliatoriaus kasetė ir (arba) įkroviklis

Akumuliatoriaus kasetė	BL4025 / BL4040
Įkroviklis	DC40RA

- Atsižvelgiant į gyvenamosios vietos regioną, kai kurios pirmiau nurodytos akumuliatoriaus kasetės ir įkrovikliai gali būti neprieinami.

**⚠️ ĮSPĖJIMAS:** Naudokite tik akumuliatoriaus kasetes ir įkroviklius, kurie nurodyti anksčiau. Naudojant bet kurias kitas akumuliatoriaus kasetes ir įkroviklius, gali kilti sužeidimo ir gaisro pavojus.

## Numatytoji naudojimo paskirtis

Šis įrankis skirtas smūginiam plytų, betono ir akmens gręžimui bei kirtimui.

Taip pat jis tinka nesmūginiam medienos, metalo, keramikos ir plastmasės gręžimui.

## Triukšmas

Įprastas triukšmo A lygis, nustatytas pagal EN60745-2-6:

**Modelis HR001G**

Garso slėgio lygis ( $L_{pA}$ ): 95 dB (A)  
 Garso galios lygis ( $L_{WA}$ ): 106 dB (A)  
 Paklaida (K): 3 dB (A)

**Modelis HR002G**

Garso slėgio lygis ( $L_{pA}$ ): 93 dB (A)  
 Garso galios lygis ( $L_{WA}$ ): 104 dB (A)  
 Paklaida (K): 3 dB (A)

**Modelis HR003G**

Garso slėgio lygis ( $L_{pA}$ ): 95 dB (A)  
 Garso galios lygis ( $L_{WA}$ ): 106 dB (A)  
 Paklaida (K): 3 dB (A)

**Modelis HR004G**

Garso slėgio lygis ( $L_{pA}$ ): 93 dB (A)  
 Garso galios lygis ( $L_{WA}$ ): 104 dB (A)  
 Paklaida (K): 3 dB (A)

**Modelis HR001G su DX12**

Garso slėgio lygis ( $L_{pA}$ ): 93 dB (A)  
 Garso galios lygis ( $L_{WA}$ ): 104 dB (A)  
 Paklaida (K): 3 dB (A)

**Modelis HR002G su DX14**

Garso slėgio lygis ( $L_{pA}$ ): 93 dB (A)  
 Garso galios lygis ( $L_{WA}$ ): 104 dB (A)  
 Paklaida (K): 3 dB (A)

### Modelis HR003G su DX12

Garso slėgio lygis ( $L_{pA}$ ): 93 dB (A)  
Garso galios lygis ( $L_{WA}$ ): 104 dB (A)  
Paklaida (K): 3 dB (A)

### Modelis HR004G su DX14

Garso slėgio lygis ( $L_{pA}$ ): 93 dB (A)  
Garso galios lygis ( $L_{WA}$ ): 104 dB (A)  
Paklaida (K): 3 dB (A)

**PASTABA:** Paskelbta (-os) triukšmo reikšmė (-ės) nustatyta (-os) pagal standartinį testavimo metodą ir ji galima naudoti vienam įrankiui palyginti su kitu.

**PASTABA:** Paskelbta (-os) triukšmo reikšmė (-ės) taip pat gali būti naudojama (-os) norint preliminariai įvertinti triukšmo poveikį.

**⚠️ JSPĖJIMAS:** Dėvėkite ausų apsaugą.

**⚠️ JSPĖJIMAS:** Faktiškai naudojant elektrinį įrankį, keliamo triukšmo dydis gali skirtis nuo paskelbtos (-ų) reikšmės (-ių), priklausomai nuo būdų, kuriais yra naudojamas šis įrankis, ir ypač nuo to, kokio tipo ruošinys apdirbamas.

**⚠️ JSPĖJIMAS:** Siekdami apsaugoti operatorių, būtinai įvertinkite saugos priemones, remdamiesi vibracijos poveikio įvertinimu esant faktinėms naudojimo sąlygoms (atsižvelgdami į visas darbo ciklo dalis, pavyzdžiui, ne tik kiek laiko įrankis veikia, bet ir kiek kartų jis yra išjungiamas bei kai jis veikia be apkravų).

## Vibracija

Šioje lentelėje nurodyta vibracijos bendroji vertė (triašio vektorias) matavimui nustatyta pagal taikomą standartą.

### Modelis HR001G

Darbo režimas	Vibracijos emisija	Paklaida (K)	Taikomas standartas
Smūginis betono gręžimas ( $a_{h, HD}$ )	7,0 m/s <sup>2</sup>	1,5 m/s <sup>2</sup>	EN60745-2-6
Smūginis betono gręžimas su DX12 ( $a_{h, HD}$ )	7,0 m/s <sup>2</sup>	1,5 m/s <sup>2</sup>	EN60745-2-6
Kalimo funkcija, naudojant šoninę rankeną ( $a_{h, Cheq}$ )	6,5 m/s <sup>2</sup>	1,5 m/s <sup>2</sup>	EN60745-2-6
Metalo gręžimas ( $a_{h, D}$ )	2,5 m/s <sup>2</sup> arba mažiau	1,5 m/s <sup>2</sup>	EN60745-2-1

### Modelis HR002G

Darbo režimas	Vibracijos emisija	Paklaida (K)	Taikomas standartas
Smūginis betono gręžimas ( $a_{h, HD}$ )	6,5 m/s <sup>2</sup>	1,5 m/s <sup>2</sup>	EN60745-2-6
Smūginis betono gręžimas su DX14 ( $a_{h, HD}$ )	6,0 m/s <sup>2</sup>	1,5 m/s <sup>2</sup>	EN60745-2-6
Kalimo funkcija, naudojant šoninę rankeną ( $a_{h, Cheq}$ )	7,5 m/s <sup>2</sup>	1,5 m/s <sup>2</sup>	EN60745-2-6
Metalo gręžimas ( $a_{h, D}$ )	2,5 m/s <sup>2</sup>	1,5 m/s <sup>2</sup>	EN60745-2-1

### Modelis HR003G

Darbo režimas	Vibracijos emisija	Paklaida (K)	Taikomas standartas
Smūginis betono gręžimas ( $a_{h, HD}$ )	7,0 m/s <sup>2</sup>	1,5 m/s <sup>2</sup>	EN60745-2-6
Smūginis betono gręžimas su DX12 ( $a_{h, HD}$ )	7,0 m/s <sup>2</sup>	1,5 m/s <sup>2</sup>	EN60745-2-6
Kalimo funkcija, naudojant šoninę rankeną ( $a_{h, Cheq}$ )	7,0 m/s <sup>2</sup>	1,5 m/s <sup>2</sup>	EN60745-2-6
Metalo gręžimas ( $a_{h, D}$ )	2,5 m/s <sup>2</sup> arba mažiau	1,5 m/s <sup>2</sup>	EN60745-2-1

### Modelis HR004G

Darbo režimas	Vibracijos emisija	Paklaida (K)	Taikomas standartas
Smūginis betono gręžimas ( $a_{h, HD}$ )	6,5 m/s <sup>2</sup>	1,5 m/s <sup>2</sup>	EN60745-2-6
Smūginis betono gręžimas su DX14 ( $a_{h, HD}$ )	6,0 m/s <sup>2</sup>	1,5 m/s <sup>2</sup>	EN60745-2-6
Kalimo funkcija, naudojant šoninę rankeną ( $a_{h, Cheq}$ )	7,5 m/s <sup>2</sup>	1,5 m/s <sup>2</sup>	EN60745-2-6
Metalo gręžimas ( $a_{h, D}$ )	2,5 m/s <sup>2</sup>	1,5 m/s <sup>2</sup>	EN60745-2-1

**PASTABA:** Paskelbta (-os) vibracijos bendroji (-osios) reikšmė (-ės) nustatyta (-os) pagal standartinį testavimo metodą ir ji galima naudoti vienam įrankiui palyginti su kitu.

**PASTABA:** Paskelbta (-os) vibracijos bendroji (-osios) reikšmė (-ės) taip pat gali būti naudojama (-os) norint preliminariai įvertinti vibracijos poveikį.

**⚠️ JSPĖJIMAS:** Faktiškai naudojant elektrinį įrankį, keliamos vibracijos dydis gali skirtis nuo paskelbtos (-ų) reikšmės (-ių), priklausomai nuo būdų, kuriais yra naudojamas šis įrankis, ir ypač nuo to, kokio tipo ruošinys apdirbamas.

**⚠️ JSPĖJIMAS:** Siekdami apsaugoti operatorių, būtinai įvertinkite saugos priemones, remdamiesi vibracijos poveikio įvertinimu esant faktinėms naudojimo sąlygoms (atsižvelgdami į visas darbo ciklo dalis, pavyzdžiui, ne tik kiek laiko įrankis veikia, bet ir kiek kartų jis yra išjungiamas bei kai jis veikia be apkravų).

## EB atitikties deklaracija

### Tik Europos šalims

EB atitikties deklaracija yra pridedama kaip šio instrukcijų vadovo A priedas.

# SAUGOS ĮSPĖJIMAI

## Bendrieji įspėjimai dirbant elektriniais įrankiais

**▲ ĮSPĖJIMAS:** Perskaitykite visus saugos įspėjimus, instrukcijas, iliustracijas ir techninius duomenis, pateiktus kartu su šiuo elektriniu įrankiu. Nesilaikant visų toliau išvardytų instrukcijų galima patirti elektros smūgį, gali kilti gaisras ir (arba) galima sunkiai susižaloti.

## Išsaugokite visus įspėjimus ir instrukcijas, kad galėtumėte jas peržiūrėti ateityje.

Terminas „elektrinis įrankis“ pateiktuose įspėjimuose reiškia į maitinimo tinklą jungiamą (laidinį) elektrinį įrankį arba akumulatoriaus maitinamą (belaidį) elektrinį įrankį.

## ĮSPĖJIMAI DĖL AKUMULIATORINIO SMŪGINIO GRĄŽTO SAUGOS

1. Naudokite klausos apsaugines priemones. Nuo triukšmo galima prarasti klausą.
2. Naudokite su įrankiu pridėtą išorinę rankeną (rankenas). Nesuvaldžius įrankio, galima susižeisti.
3. Atlikdami darbus, kurių metu pjovimo antgalis gali paliesti paslėptus laidus, laikykite elektrinį įrankį tik už izoliuotų, laikyti skirtų paviršių. Pjovimo antgaliai prisilietus prie laido, kuriuo teka elektros srovė, neizoliuotos metalinės elektrinio įrankio dalys gali sukelti elektros smūgį ir nutrenkti operatorių.
4. Užsidėkite kietą galvos apdangalą (apsauginį šalną), apsauginius akinius ir (arba) veido skydelį. Įprastiniai akiniai ar akiniai nuo saulės NĖRA apsauginiai akiniai. Taip pat primygtinai rekomenduojama užsidėti kaukę, saugančią nuo dulkių, ir pirštines su storu pamušalu.
5. Prieš pradėdami dirbti įsitikinkite, kad grąžtas tinkamai įtvirtintas.
6. Įprastai naudojant įrankį, jis vibruoja. Varžtai gali lengvai atsiskirti, o tai gali tapti gedimo arba nelaimingo atsitikimo priežastimi. Prieš pradėdami dirbti atidžiai patikrinkite, ar varžtai gerai priveržti.
7. Šaltu oru, arba jei įrankiu nesinaudojote ilgą laiką, leiskite įrankiui šiek tiek išilti naudodami jį be apkrovos. Tada tepalas suminkštės. Tinkamai neįšildžius įrankio, bus sunku kalti.
8. Būtinai įsitikinkite, kad tvirtai stovite. Jei naudojate įrankį aukštai, įsitikinkite, ar apačioje nėra žmonių.
9. Laikykite įrankį tvirtai už abiejų rankenų.
10. Žiūrėkite, kad rankos būtų kuo toliau nuo judamųjų dalių.
11. Nepalikite veikiančio įrankio. Naudokite įrankį tik laikydami rankomis.
12. Dirbdami nenukreipkite veikiančio įrankio į žmones. Kalamasis grąžtas gali išlėkti ir ką nors sunkiai sužeisti.

13. Nelieskite grąžto, šalia esančių dalių arba ruošinio iškart po naudojimo; jie gali būti itin karšti ir nudeginti odą.
14. Kai kuriose medžiagose esama cheminių medžiagų, kurios gali būti nuodingos. Saugokitės, kad neįkvėptumėte dulkių ir nesiliestumėte oda. Laikykites medžiagų tiekėjo saugos duomenų.
15. Prieš perduodami įrankį kitam asmeniui, visuomet įsitikinkite, kad įrankis išjungtas, o akumulatoriaus kasetė bei galiukas išimti.
16. Prieš darbą įsitikinkite, kad darbinėje zonoje nėra tokių paslėptų objektų kaip elektros laidai, vandens vamzdžiai ar dujų vamzdžiai. Nes grąžtas / kaltas gali juos paliesti ir dėl to gali nutrenkti elektra, nutekėti vanduo arba dujos.

## SAUGOKITE ŠIAS INSTRUKCIJAS.

**▲ ĮSPĖJIMAS:** NELEISKITE, kad patogumas ir gaminio pažinimas (įgyjamas pakartotinai naudojant) susilpnintų griežtą saugos taisyklių, taikytinų šiam gaminiui, laikymąsi. Dėl NETINKAMO NAUDOJIMO arba saugos taisyklių, kurios pateiktos šioje instrukcijoje, nesilaikymo galima rimtai susižeisti.

## Svarbios saugos instrukcijos, taikomos akumulatoriaus kasetei

1. Prieš naudodami akumulatoriaus kasetę, perskaitykite visas instrukcijas ir perspėjimus ant (1) akumuliatorių įkroviklio, (2) akumuliatorių ir (3) akumuliatorių naudojančio gaminio.
2. Neardykite ir negadinkite akumulatoriaus kasetės. Dėl to ji gali užsidegti, per daug įkaisti arba sprogti.
3. Jei įrankio darbo laikas žymiai sutrumpėjo, nedelsdami nutraukite darbą su įrankiu. Tai gali kelti perkaitimą, nudegimų ar net sprogdimo pavojų.
4. Jei elektrolitas pateko į akis, plaukite jas tyru vandeniu ir nedelsdami kreipkitės į gydytoją. Gali kilti regėjimo praradimo pavojus.
5. Neužtrumpinkite akumulatoriaus kasetės:
  - (1) Nelieskite kontaktų degiomis medžiagomis.
  - (2) Venkite laikyti akumulatoriaus kasetę kartu su kitais metaliniais daiktai, pavyzdžiui, vinimis, monetomis ir pan.
  - (3) Saugokite akumulatoriaus kasetę nuo vandens ir lietaus.Trumpasis jungimas akumulatoriuje gali sukelti stiprią srovę, perkaitimą, galimus nudegimus ar net akumulatoriaus gedimą.
6. Nelaikykite įrankio ir akumulatoriaus kasetės vietoje, kur temperatūra gali pasiekti ar viršyti 50 °C.
7. Nedeginkite akumulatoriaus kasetės, net jei yra stipriai pažeista ar visiškai susidėvėjusi. Ugnyje akumulatoriaus kasetė gali sprogti.
8. Akumulatoriaus kasetės nekalkite, nepjaustykite ir nemėtykite ir taip pat į ją netrankykite kietu daiktu. Taip elgiantis, ji gali užsidegti, per daug įkaisti arba sprogti.



9. Nenaudokite pažeisto akumuliatoriaus.
10. Įdėtoms ličio jonų akumuliatoriams taikomi Pavojingų prekių teisės akto reikalavimai. Komercinis transportas, pvz., trečiųjų šalių, prekių vežimo atstovų, turi laikytis specialaus reikalavimo ant pakuotės ir ženklavimo. Norėdami paruošti siūstantį prekę, pasitarkite su pavojingų medžiagų specialistu. Be to, laikykitės galimai išsamesnių nacionalinių reglamentų. Užklijuokite juosta arba padenkite atvirus kontaktus ir supakuokite akumuliatorių taip, kad ji pakuotėje nejudėtų.
11. Kai išmetate akumuliatoriaus kasetę, išimkite ją iš įrankio ir išmeskite saugioje vietoje. Vadovaukitės vietos reglamentais dėl akumuliatorių išmetimo.
12. Baterijas naudokite tik su „Makita“ nurodytais gaminiais. Baterijas įdėjus į netinkamus gaminius gali kilti gaisras, gaminyje pernelyg kaisti, kilti sprogdimas arba pratekėti elektrolitas.
13. Jei įrankis bus ilgą laiką nenaudojamas, akumuliatorių būtina išimti iš įrankio.
14. Darbo metu ir po akumuliatoriaus kasetę gali būti įkaitusi ir dėl to nudeginti. Įdami akumuliatoriaus kasetes, būkite atsargūs.
15. Tuojau pat po naudojimo nelieskite įrankio gnybtų, nes jie gali būti įkaitę tiek, kad nudegins.
16. Neleiskite, kad į akumuliatoriaus kasetės gnybtus, angas ir griovelius patektų drožlių, dulkių ar žemių. Dėl to įrankis ar akumuliatoriaus kasetė gali imti prastai veikti ar sugesti.
17. Jeigu įrankis nėra pritaikytas naudoti šalia aukštos įtampos elektros linijų, akumuliatoriaus kasetės nenaudokite šalia aukštos įtampos elektros linijų. Dėl to gali sutrikti įrankio ar akumuliatoriaus kasetės veikimas arba jie gali sugesti.

## SAUGOKITE ŠIAS INSTRUKCIJAS.

**▲PERSPĖJIMAS:** Naudokite tik originalų „Makita“ akumuliatorių. Neoriginalaus „Makita“ arba pakeisto akumuliatoriaus naudojimas gali nulemti gaisrą, asmens sužalojimą ir pažeidimą. Tai taip pat panaikina „Makita“ suteikiamą „Makita“ įrankio ir įkroviklio garantiją.

## Patarimai, ką daryti, kad akumuliatorius veiktų kuo ilgiau

1. Pakraukite akumuliatoriaus kasetę prieš ją visiškai išsikraunant. Visuomet nustokite naudoti įrankį ir pakraukite akumuliatoriaus kasetę, kai pastebite, kad įrankio galia sumažėjo.
2. Niekada nekraukite iki galo įkrautos akumuliatoriaus kasetės. Perkraunant trumpėja akumuliatoriaus eksploatacijos laikas.
3. Akumuliatoriaus kasetę kraukite esant kambario temperatūrai 10 - 40 °C. Prieš pradėdami krauti, leiskite įkaitusiai akumuliatoriaus kasetei atvėsti.
4. Kai akumuliatoriaus kasetės nenaudojate, ją išimkite iš įrankio ar įkroviklio.
5. Įkraukite akumuliatoriaus kasetę, jei jos nenaudojate ilgą laiką (ilgiau nei šešis mėnesius).

## Svarbios saugumo instrukcijos dėl belaidžio bloko

1. Neardykite ir nekeiskite belaidžio bloko.
2. Laikykite belaidį bloką vaikams nepasiekiamoje vietoje. Netyčia prarijus reikia nedelsiant kreiptis į medikus.
3. Naudokite belaidį bloką tik su „Makita“ įrankiais.
4. Saugokite belaidį bloką nuo lietaus ir nenaudokite jo esant drėgnoms oro sąlygoms.
5. Nenaudokite belaidžio bloko vietose, kur temperatūra viršija 50 °C.
6. Nenaudokite belaidžio bloko netoli medicinos instrumentų, pavyzdžiui, širdies stimuliatorių.
7. Nenaudokite belaidžio bloko netoli automatišnių prietaisų. Automatiniai prietaisai gali sugesti arba gali įvykti klaida.
8. Nenaudokite belaidžio bloko ten, kur gali padidėti temperatūra arba atsirasti statinis elektros krūvis arba elektrinis triukšmas.
9. Belaidis blokas gali sukurti elektromagnetinius laukus (EML), bet jie naudotojui nekenksmingi.
10. Belaidis blokas yra tikslusis instrumentas. Saugokite belaidį bloką nuo kritimo ir smūgių.
11. Nelieskite belaidžio bloko kontakto plikomis rankomis arba metaliniais įrankiais.
12. Įdėdami belaidį bloką visada išimkite gaminio akumuliatorių.
13. Atidarydami angos dangtelį venkite vietų, kur į ją gali patekti dulkių ir vandens. Anga visada turi būti švari.
14. Belaidį bloką visada dėkite reikiama kryptimi.
15. Per smarkiai nespauskite belaidžio aktyvinimo mygtuko ant belaidžio bloko, nespauskite jo aštriu daiktu.
16. Dirbdami visada uždarykite angos dangtelį.
17. Kai įrankiui tiekiamas maitinimas, niekada neimkite belaidžio bloko iš angos. Kitaip belaidis blokas gali sugesti.
18. Nenuimkite lipduko nuo belaidžio bloko.
19. Neklijuokite jokio lipduko ant belaidžio bloko.
20. Nepalikite belaidžio bloko ten, kur gali atsirasti statinis elektros krūvis arba elektrinis triukšmas.
21. Nepalikite belaidžio bloko karštoje vietoje, pavyzdžiui, automobilyje prieš saulę.
22. Nepalikite belaidžio bloko dulkečioje ar miltuotoje vietoje arba ten, kur gali atsirasti išdinančiųjų dujų.
23. Nuo staigaus temperatūros pokyčio belaidis blokas gali aprasoti. Nenaudokite belaidžio bloko, kol rasa visiškai nenudžiūvo.
24. Norėdami nuvalyti belaidį bloką, švelniai pavalykite sausa minkšta šluoste. Nenaudokite benzino, skiediklio, laidaus tepalo ir panašių medžiagų.
25. Laikykite belaidį bloką pridėtame dėkle arba nuo statinio krūvio apsaugotoje taroje.
26. Nekiškite į įrankio angą jokių kitų prietaisų, išskyrus „Makita“ belaidį bloką.

27. **Nenaudokite įrankio, kurio angos dangtelis pažeistas.** Į angą patekęs vanduo, dulksės ir purvas gali jį sugadinti.
28. **Netraukite ir (arba) nesukite angos dangtelio daugiau, nei reikia.** Atstatykite dangtelį į vietą, jei jis nukrinta nuo įrankio.
29. **Pakeiskite angos dangtelį, jei jo nėra arba jis pažeistas.**

## SAUGOKITE ŠIAS INSTRUKCIJAS.

## VEIKIMO APRAŠYMAS

**⚠ PERSPĖJIMAS:** Prieš pradėdami reguliuoti arba tikrinti įrankio veikimą, visuomet būtinai išjunkite įrankį ir išimkite akumuliatoriaus kasetę.

### Akumuliatoriaus kasetės uždėjimas ir nuėmimas

**⚠ PERSPĖJIMAS:** Prieš įdėdami arba išimdami akumuliatoriaus kasetę, visada išjunkite įrankį.

**⚠ PERSPĖJIMAS:** Įdėdami arba išimdami akumuliatoriaus kasetę, tvirtai laikykite įrankį ir akumuliatoriaus kasetę. Jeigu įrankį ir akumuliatoriaus kasetę laikysite netvirtai, jie gali išslysti iš jūsų rankų, todėl įrankis ir akumuliatoriaus kasetė gali būti sugadinti, o naudotojas sužalotas.

- **Pav.1:** 1. Raudonas indikatorius 2. Mygtukas 3. Akumuliatoriaus kasetė

Jei norite išimti akumuliatoriaus kasetę, ištraukite ją iš įrankio, stumdami mygtuką, esantį kasetės priekyje.

Jei norite įdėti akumuliatoriaus kasetę, sulygiuokite liežuvelį ant akumuliatoriaus kasetės su grioveliu korpuso ir įstumkite į jai skirtą vietą. Įdėkite iki galo, kol spragtelėdama užsifiksuos. Jeigu matote raudoną indikatorium viršutinėje mygtuko pusėje, ji nėra visiškai užfiksuota.

**⚠ PERSPĖJIMAS:** Akumuliatoriaus kasetę visada įkiškite iki galo, kol nebematysite raudono indikatoriaus. Priešingu atveju ji gali atsitiktinai iškristi iš įrankio, sužeisti jus arba aplinkinius.

**⚠ PERSPĖJIMAS:** Nekiškite akumuliatoriaus kasetės jėga. Jeigu kasetė sunkiai lenda, ją kišate netinkamai.

### Likusios akumuliatoriaus galios rodymas

Paspauskite akumuliatoriaus kasetės tikrinimo mygtuką, kad būtų rodoma likusi akumuliatoriaus energija. Maždaug trims sekundėms užsidsigs indikatorium lemputės.

- **Pav.2:** 1. Indikatorium lemputės 2. Tikrinimo mygtukas

Indikatorium lemputės			Likusi galia
Šviečia	Nešviečia	Blyksi	
■ ■ ■ ■			75 - 100 %
■ ■ ■ □			50 - 75 %
■ ■ □ □			25 - 50 %
■ □ □ □			0 - 25 %
▣ □ □ □			Įkraukite akumuliatorių.
■ ■ □ □			Galimai įvyko akumuliatoriaus veikimo triktis.
□ □ ■ ■			

**PASTABA:** Rodmuo gali šiek tiek skirtis nuo faktinės energijos lygio – tai priklauso nuo naudojimo sąlygų ir aplinkos temperatūros.

### Įrankio / akumuliatoriaus apsaugos sistema

Įrankyje įrengta įrankio / akumuliatoriaus apsaugos sistema. Ši sistema automatiškai atjungia variklio maitinimą, kad įrankis ir akumuliatorius ilgiau veiktų. Įrankis automatiškai išsijungs darbo metu esant vienai iš toliau nurodytų įrankio arba akumuliatorius darbo sąlygų:

### Apsauga nuo perkrovos

Akumuliatorių naudojant taip, kad susidaro neįprastai aukšta srovė, nepateikiant jokios indikacijos, įrankis automatiškai sustabdomas. Tokiu atveju išjunkite įrankį ir nutraukite darbą, dėl kurio įrankis buvo perkrautas. Tada įjunkite įrankį, kad jis būtų paleistas iš naujo.

### Apsauga nuo perkaitimo

Kai įrankis arba akumuliatorius perkaista, įrankis automatiškai išsijungia. Tokiu atveju, prieš vėl jungdami įrankį, leiskite įrankiui ir akumuliatoriui atvėsti.

**PASTABA:** Jeigu įrankis perkaista, žibčioja lemputė.

### Apsauga nuo visiško išsekvojimo

Kai akumuliatoriaus įkrovos lygis nepakankamas, įrankis automatiškai išsijungia. Tokiu atveju ištraukite akumuliatorių iš įrankio ir įkraukite jį.

### Jungiklio veikimas

**⚠ ĮSPĖJIMAS:** Prieš montuodami akumuliatoriaus kasetę įrankyje, visuomet patikrinkite, ar gaidukas tinkamai veikia ir atleistas grįžta į išjungimo padėtį „OFF“.

- **Pav.3:** 1. Gaidukas

Jei norite paleisti įrankį, tiesiog patraukite jungiklio gaiduką. Stipriau spaudžiant jungiklio gaiduką, įrankio veikimo greitis didėja. Norėdami išjungti, atleiskite svirtinį gaiduką.

## Greičio keitimas

Apsisukimus per minutę galima reguliuoti sukant reguliavimo ratuką. Ant ratuko pažymėti skaičiai nuo 1 (mažiausias greitis) iki 5 (didžiausias greitis).

► **Pav.4:** 1. Reguliavimo ratukas

Toliau esančioje lentelėje pateiktas santykis tarp sunumeruotų ant reguliavimo ratuko esančių apsisukimų ir smūgių per minutę.

Skaičius	Apsisukimų per minutę	Smūgių per minutę
5	980	5 000
4	870	4 440
3	630	3 210
2	380	1 940
1	300	1 530

**▲PERSPĖJIMAS:** Nesukite reguliavimo ratuko, kai įrankis veikia. Antraip galite prarasti įrankio valdymą ir susižeisti.

**PASTABA:** Jeigu prietaisu ilgą laiką be pertraukos dirbama nedideliu greičiu, variklis bus perkrautas ir prietaisas suges.

**PASTABA:** Greičio reguliavimo ratuką galima pasukti tik iki 5 ir atgal iki 1. Nemėginkite jo sukti už 5 ar 1 padėties, kadangi galite sugadinti greičio reguliavimo funkciją.

**PASTABA:** Švelnaus sukimo be apkrovos funkcija (skirta HR001G/HR002G)

Kai greičio reguliavimo ratukas yra nustatytas ties „4“ arba aukštesne padala, nesant apkrovos, kad įrankis tada mažiau vibruotų, jis automatiškai sumažina greitį. Atrėmus antgalį į betoną ir pradėjus darbą, smūgiai per minutę padidėja ir pasiekia lentelėje pateiktus dydžius. Esant žemai temperatūrai ir mažesniai tepalo srautui, įrankis gali nevykdyti šios funkcijos net ir tada, kai variklis veikia.

## Priekinės lemputės uždegimas

► **Pav.5:** 1. Lemputė

**▲PERSPĖJIMAS:** Nežiūrėkite tiesiai į šviesą arba šviesos šaltinį.

Paspauskite gaiduką, kad užsidegtų lemputė. Lemputė švies tol, kol spausite gaiduką. Atleidus jungiklio gaiduką, lemputė užgęsta maždaug po 10 sekundžių.

**▲PERSPĖJIMAS:** Skirta HR001G/HR002G

Jeigu kelias sekundes mirksėjusi lemputė užgęsta, aktyvaus grįžtamojo ryšio aptikimo technologija tinkamai neveikia. Dėl remonto kreipkitės į vietinį „Makita“ techninės priežiūros centrą.

**PASTABA:** Purvą nuo lempos objektyvo nuvalykite sausu skudurėliu. Būkite atsargūs, kad nesubraižytumėte lempos objektyvo, nes pablogės apšvietimas.

**PASTABA:** Jei įrankyje sumontuota dulkių surinkimo sistema, vietoj įrankio lemputės dega dulkių surinkimo sistemos lemputė.

## Atbulinės eigos jungimas

► **Pav.6:** 1. Atbulinės eigos svirtelė

**▲PERSPĖJIMAS:** Prieš naudodami visuomet patikrinkite sukimosi kryptį.

**▲PERSPĖJIMAS:** Atbulinės eigos jungiklį naudokite tik įrankiui visiškai sustojus. Jei keisite sukimosi kryptį prieš įrankiui sustojant, galite sugadinti įrankį.

**▲PERSPĖJIMAS:** Kai nenaudojate įrankio, visuomet nustatykite atbulinės eigos jungiklio svirtelę į neutralią padėtį.

Šis įrankis turi atbulinės eigos jungiklį sukimosi kryptčiai keisti. Nuspauskite atbulinės eigos jungiklio svirtelę iš A pusės, kad sukūptsi pagal laikrodžio rodyklę, arba iš B pusės, kad sukūptsi prieš laikrodžio rodyklę. Kai atbulinės eigos jungiklio svirtelė yra neutralioje padėtyje, jungiklio spausiti negalima.

## Greitai pakeičiamo „SDS-plus“ griebtuvo pakeitimas

### Skirta HR002G / HR004G

Greitai pakeičiamą grąžto griebtuvą galima greitai pakeisti „SDS-plus“ griebtuvu.

### Greitai pakeičiamo „SDS-plus“ griebtuvo išėmimas

**▲PERSPĖJIMAS:** Prieš ištraukdami greitai pakeičiamą „SDS-plus“ griebtuvą, būtinai ištraukite grąžtą.

Suimkite „SDS-plus“ griebtuvo keičiamąjį gaubtelį ir pasukite jį rodyklės kryptimi, kol keičiamoji gaubtelio linija pasislinks nuo žymės prie žymės. Stipriai patraukite rodyklės kryptimi.

► **Pav.7:** 1. Greitai pakeičiamas „SDS-plus“ griebtuvas 2. Keičiamasis gaubtelis 3. Keičiamoji gaubtelio linija

### Greitai pakeičiamo grąžto griebtuvo įdėjimas

Patikrinkite, ar greitai pakeičiamo grąžto griebtuvo linija yra ties žyme. Suimkite greitai pakeičiamą grąžto griebtuvo keičiamąjį gaubtelį ir nustatykite liniją ties žyme. Uždėkite greitai pakeičiamą grąžto griebtuvą ant įrankio veleno. Suimkite greitai pakeičiamą grąžto griebtuvo keičiamąjį gaubtelį ir sukite jo liniją link žymės, kol išgirsite spragtelėjimą.


► **Pav.8:** 1. Greitai pakeičiamas grąžto griebtuvas 2. Velenas 3. Keičiamoji gaubtelio linija 4. Keičiamasis gaubtelis

## Veikimo režimo pasirinkimas

**PASTABA:** Nesukite veikimo režimo keitimo rankenėlės, kai įrankis įjungtas. Galite sugadinti įrankį.

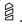
**PASTABA:** Norėdami išvengti greito režimo keitimo mechanizmo nusidėvėjimo, pakeitę režimą visada patikrinkite, ar tiksliai nustatėte veikimo režimo keitimo rankenėlę vienoje iš trijų veikimo režimo padėčių.

## Kalamasis gręžimas

Norėdami gręžti betoną, mūrą ir pan., pasukite veikimo režimo keitimo rankenėlę ties  simboliu. Naudokite volframo karbido gražtą (pasirenkamas priedas).

► **Pav.9:** 1. Kalamasis gręžimas 2. Veikimo režimo keitimo svirtelė


## Tik gręžimas

Norėdami gręžti medį, metalą arba plastmasę, pasukite veikimo režimo keitimo rankenėlę ties simboliu .

Naudokite spiralinį arba medžio gražtą.

► **Pav.10:** 1. Tik gręžimas

## Tik kalimas

Norėdami atlikti nudaužymo, grandymo arba griovimo darbus, pasukite veikimo režimo keitimo rankenėlę ties  simboliu.

Naudokite smaliųjį kaltelį, plieninį kirstuką, grandomąjį kaltelį ir pan.

► **Pav.11:** 1. Tik kalimas

## Kablys

**⚠ PERSPĖJIMAS:** Prieš pakabindami įrankį ant kablo, visada ištraukite iš jo akumuliatorių.

**⚠ PERSPĖJIMAS:** Niekada nekabinkite įrankio labai aukštai arba nedėkite ant paviršiaus, kuris gali būti nestabilus.

Kablys yra patogus, kai norite trumpam pakabinti įrankį. Norėdami naudoti kablį, tiesiog pakelkite ir atverskite kablį, kad jis spragtelėdamas užsifikuotų. Kai jo nenaudojate, visada lenkite kablį, kol jis spragtelės, užfiksuojamas į nuleistą padėtį.

► **Pav.12:** 1. Kablys

► **Pav.13**

## Saugos dirželio (diržo) tvirtinimas prie kablo

**⚠ PERSPĖJIMAS:** Nenaudokite sugadintų kablų ir varžtų. Prieš naudojimą visada patikrinkite, ar nėra pažeidimų, įtrūkimų arba deformacijos, bei įsitinkinkite, kad varžtai priveržti.

**⚠ PERSPĖJIMAS:** Įsitinkinkite, kad kablys tinkamai pritvirtintas varžtais.

**⚠ PERSPĖJIMAS:** Kai kabinate įrankį, nebandykite ištraukti akumuliatoriaus kasetės. Jei varžtai nebus priveržti, įrankis gali nukristi.

**⚠ PERSPĖJIMAS:** Visuomet naudokite fiksavimo karabiną (atkabinamą keliais veiksmis ir turintį varžtinį fiksatorių), o saugos dirželį (diržą) pritvirtinkite prie dvigubą kilpą sudarančios kablo dalies. Netinkamai pritvirtinus, įrankis gali iškristi iš kablo ir sužeisti žmogus.

Kablys taip pat naudojamas saugos dirželiui (diržui) prijungti. Žiūrėkite, kad saugos dirželį (diržą) prijungtumėte prie dvigubą kilpą sudarančios kablo dalies.

► **Pav.14:** 1. Dvigubą kilpą sudaranti kablo dalis  
2. Saugos dirželis (diržas) 3. Fiksavimo karabinas (atkabinamas keliais veiksmis ir turintis varžtinį fiksatorių)

## Dulkių surinkimo sistemos antgalio padėties nustatymas

### Pasirenkamas priedas

Laikydami kreiptuvo reguliavimo mygtuką nuspausta, spauskite kreiptuvą, o jam pasiekus pageidaujamą padėtį, mygtuką atleiskite.

► **Pav.15:** 1. Kreiptuvas 2. Kreiptuvo reguliavimo mygtukas

**PASTABA:** Prieš reguliuodami antgalio padėtį, visiškai atleiskite antgalio priekinę dalį, paspausdami kreiptuvo reguliavimo mygtuką.

Jei įdėtas ilgas gražto antgalis, paspausdami ilginimo mygtuką pailginkite kreiptuvą.

► **Pav.16:** 1. Ilginimo mygtukas

## Dulkių surinkimo sistemos gręžimo gylio reguliavimas

### Pasirenkamas priedas

Spausdami stumkite gylio reguliavimo mygtuką į norimą padėtį. Atstumas (A) yra gręžimo gylis.

► **Pav.17:** 1. Gylio reguliavimo mygtukas

## Sukimo momento ribotuvus

**PASTABA:** Suveikus sukimo momento ribotuvui, nedelsdami išjunkite įrankį. Šitaip apsaugosite įrankį ir jis nesusidėvės anksčiau laiko.

**PASTABA:** Tokie antgaliai, kaip pjūklai skylėms prapjauti, kurie gali būti lengvai sužnybti arba įstrigti skylėje, netinka naudoti su šiuo įrankiu. Jie netinka dėl to, kad jiems įstrigus, per dažnai įsijungs sukimo momento ribotuvus.

Sukimo momento ribotuvus suveiks pasiekus tam tikrą sukimo momento lygį. Variklis bus atjungtas nuo išvesties veleno. Taip atsitikus, gražtas liausis sukęsis.

## Elektroninė funkcija

Prietaise yra elektroninė funkcija paprastam naudojimui.

- Nuolatinis greičio reguliavimas  
Greičio kontrolės funkcija užtikrina pastovų sukimosi greitį, nepriklausomai nuo apkrovos.
- Aktyvus grįžtamojo ryšio aptikimo technologija (skirta HR001G/HR002G)  
Jei dirbant įrankis sukamas iš anksto nustatyto greičiu, riešui tenkančiai įtampai sumažinti variklis priverstinai sustabdomas.

**PASTABA:** Ši funkcija neveikia, jei sukant įrankį greitis nepasiekia iš anksto nustatyto greičio.

**PASTABA:** Jei nudaužymo, grandymo arba griovimo darbų metu antgalis sukamas iš anksto nustatyto greičiu, variklis priverstinai sustabdomas. Šiuo atveju atleiskite gaiduką ir vėl jį nuspauskite įrankiui paleisti iš naujo.

## SURINKIMAS

**⚠ PERSPĖJIMAS:** Prieš darydami ką nors įrankiui visada patikrinkite, ar įrenginys išjungtas, o akumuliatorių kasetė – nuimta.

### Šoninė rankena (papildoma rankena)

**⚠ PERSPĖJIMAS:** Visada naudokitės šonine rankena, kad užtikrintumėte darbo saugą.

**⚠ PERSPĖJIMAS:** Sumontavę arba reguliuodami šoninę rankeną patikrinkite, ar ji yra tvirtai pritvirtinta.

Norėdami įdėti šoninę rankeną, atlikite toliau pateiktus veiksmus.

1. Atskirkite šoninės rankenos sparnuotąją veržlę.

► **Pav.18:** 1. Sparnuotoji veržlė

2. Šoninę rankeną pritvirtinkite spausdami sparnuotąją veržlę, kad ant rankenos esantys grioveliai tilptų tarp įrankio vamzdžio išsikišimų.

► **Pav.19:** 1. Sparnuotoji veržlė

3. Užveržkite sparnuotąją veržlę rankenai pritvirtinti. Rankeną galima užfiksuoti, pakreipus norimu kampu.

### Tepalas

Sutepkite įkištą grąžto galvutę nedideliu kiekiu tepalo (maždaug 0,5–1 g).

Taip sutepus galvutę, prietaisas veiks ilgiau ir geriau.

### Grąžto įdėjimas ir išėmimas

Nuvalykite įkištą grąžto galvutę ir sutepkite prieš įdėdami grąžtą.

► **Pav.20:** 1. Grąžto galvutė 2. Tepalas

Įkiškite grąžtą į įrankį. Pasukite grąžtą ir stumkite, kol įsistatys.

Sumontavę grąžtą, visada patikrinkite, ar grąžtas saugiai laikosi, pabandydami jį ištraukti.

► **Pav.21:** 1. Grąžtas

Norėdami ištraukti grąžtą, atitraukite kumštelinio griebtuvo gaubtą iki galo žemyn ir ištraukite grąžtą.

► **Pav.22:** 1. Grąžtas 2. Kumštelinio griebtuvo gaubtas

## Kalto kamps (nudaužymo, grandymo arba griovimo darbams)

Kaltą galima užtvirtinti, pakreipus jį norimu kampu.

Norėdami pakeisti kalto įtaisymo kampa, pasukite veikimo režimo keitimo rankenėlę ties O simboliu. Pasukite kaltą norimu kampu.

► **Pav.23:** 1. Veikimo režimo keitimo svirtelė

Pasukite veikimo režimo keitimo rankenėlę ties T simboliu. Tuomet truputį pasukdami kaltą, patikrinkite, ar jis įdėtas tvirtai.

## Gylio ribotuvas

Gylio ribotuva patogu naudoti gręžiant vienodo gylio skyles.

Laikykite nuspaužę fiksavimo mygtuką, tada įkiškite gylio ribotuva į šešiakampę skylę. Įsitikinkite, kad dantytąjį gylio ribotuvo pusę atsukta į žymą.

► **Pav.24:** 1. Gylio ribotuvas 2. Fiksavimo mygtukas 3. Žymėjimas 4. Dantytą pusę

Pareguliuokite gylio ribotuva norimam gyliui, laikydami nuspaužę fiksavimo mygtuką ir traukdami arba stumdami gylio ribotuva. Pareguliuavę, atleiskite fiksavimo mygtuką, kad gylio ribotuvas būtų užfiksuotas.

**PASTABA:** Kai tvirtinate, užtikrinkite, kad gylio ribotuvas neliestų įrankio pagrindinio korpuso.

## Dulkių surinkimo sistemos uždėjimas arba nuėmimas

### Pasirenkamasis priedas

Norėdami uždėti dulkių surinkimo sistemą, kiškite įrankį į dulkių surinkimo sistemą iki galo, kol jis užsifiksuos spragtelėdamas.

► **Pav.25**

Norėdami nuimti dulkių surinkimo sistemą, spausdami atlasvinimo mygtuką traukite įrankį.

► **Pav.26:** 1. Atlasvinimo mygtukas

## Dulkių rinktuvas

### Pasirenkamasis priedas

Dulkių rinktuvas skirtas tam, kad dulkęs nekristų ant įrenginio ir jūsų, kai dirbate grąžtą išklėję virš galvos. Prie galvutės pritvirtinkite dulkių rinktuvą. Toliau nurodyti galvučiai, prie kurių galima pritvirtinti dulkių rinktuvą, dydžiai.

Modelis	Galvutės skersmuo
Dulkių rinktuvas 5	6–14,5 mm
Dulkių rinktuvas 9	12–16 mm

► **Pav.27:** 1. Dulkių rinktuvas

## Dulkių rinktuvo komplektas

### Pasirenkamasis priedas

Prieš įdėdami dulkių rinktuvo komplektą, išimkite grąžtą iš įrankio, jeigu jis įdėtas.

Uždėkite dulkių rinktuvo komplektą ant įrankio taip, kad ant dulkių rinktuvo esanti žymė  $\Delta$  būtų sulygiuota su įrankyje esančių griovelėliu.

► **Pav.28:** 1.  $\Delta$  žymė 2. Griovelis

**PASTABA:** Jeigu prie dulkių rinktuvo komplekto prijungsite dulkių siurbį, prieš jungdami, nuimkite dulkių dangtelį.

► **Pav.29:** 1. Dulkių dangtelis

Norėdami nuimti dulkių rinktuvo komplektą, traukdami griebtuvo dangtelį rodyklės kryptimi nuimkite grąžtą.

► **Pav.30:** 1. Antgalis 2. Kumštelinio griebtuvo gaubtas

Laikykite už dulkių rinktuvo pagrindo ir jį ištraukite.

► **Pav.31**

**PASTABA:** Jeigu nusiima dulkių rinktuvo dangtelis, uždėkite jį taip, kad su spaudiniu esanti pusė būtų viršuje, o dangtelio grioveliai tilptų į priedo vidinį kraštą.

► **Pav.32**

## NAUDOJIMAS

**▲ PERSPĖJIMAS:** Darbo metu visada tvirtai laikykite įrankį už šoninės (papildoma rankena) ir pagrindinės rankenų.

**▲ PERSPĖJIMAS:** Prieš darbą visada įtvirtinkite ruošinį.

**▲ PERSPĖJIMAS:** Netraukite įrankio jėga, net tada, kai grąžtas užstringa. Nesuvaldžius įrankio, galima susižeisti.

**▲ PERSPĖJIMAS:** Dulkių surinkimo sistema skirta naudoti tik gręžiant betoną. Nenaudokite dulkių surinkimo sistemos, gręždami metalą arba medieną.

**▲ PERSPĖJIMAS:** Kai įrankį naudojate kartu su dulkių surinkimo sistema, būtinai prie dulkių surinkimo sistemos pritvirtinkite filtrą, kuris apsaugos, kad neįkvėptumėte dulkių.

**▲ PERSPĖJIMAS:** Prieš naudodami dulkių surinkimo sistemą, patikrinkite, ar filtras nesusgadintas. Nesilaikant šių nurodymų, kyla pavojus įkvėpti dulkių.

**▲ PERSPĖJIMAS:** Dulkių surinkimo sistema surenka dideliu greičiu susidarancias dulkes, tačiau gali būti surinktos ne visos dulkės.

**PASTABA:** Nenaudokite dulkių surinkimo sistemos gręždami deimantiniu šerdimiu grąžtu arba kaldami.

**PASTABA:** Nenaudokite dulkių surinkimo sistemos gręždami drėgną betoną arba nenaudokite jos drėgnoje vietoje. Nesilaikant šių nurodymų, kyla įrankio sugadinimo pavojus.

**PASTABA:** Jeigu akumulatoriaus kasetė yra žemos temperatūros, gali būti nepasiekta visa įrankio galia. Šiuo atveju sušildykite akumulatoriaus kasetę, naudodami įrankį be apkrovos, kad pasiektumėte visą įrankio galią.

► **Pav.33**

## Smūginis gręžimas

**▲ PERSPĖJIMAS:** Įrankį / grąžto galvutę veikia didelė ir staigi sukamoji jėga, kai gręžiama skylė ir ji prisipildo nuolaužų ir dalelių arba kai įrankis / grąžto galvutė atsitrenkia į betonę esančią armatūrą. **Darbo metu visada tvirtai laikykite įrankį už šoninės (papildoma rankena) ir pagrindinės rankenų.** Kitaip galite prarasti įrankio valdymą ir susižeisti.

Nustatykite veikimo režimo keitimo rankenėlę ties  $\text{T}$  simboliu.

Nustatykite grąžtą į norimą vietą ties skylė ir paspauskite gaiduką. Nespauskite įrankio jėga. Geriausių rezultatų pasiekama spaudžiant nespūriai. Laikykite įrankį šioje padėtyje ir saugokite, kad nenuslystų nuo skylės.

Nespauskite stipriau, kai skylė prisipildo nuolaužų ir dalelių. Vietoj to leiskite įrankiui šiek tiek paveikti tuščiąja eiga, tada iš dalies ištraukite grąžto galvutę iš skylės. Pakartojus tai keletą kartų, skylė bus išvalyta ir bus galima toliau gręžti.

**PASTABA:** Kai įrankis veikia be apkrovos, besisukantis grąžtas gali išsiccenčiuoti. Darbo metu įrankis automatiškai pats susiccenčiuoja. Tai neįtakoją gręžimo tikslumo.

## Skėlimas/ nuodegų šalinimas / ardymas

Nustatykite veikimo režimo keitimo rankenėlę ties  $\text{T}$  simboliu. Įrankį tvirtai laikykite abiem rankomis. Įrankį sukite ir nespūriai spauskite, kad jis nevaldomai nešokinėtų. Spaudžiant stipriai, darbo efektyvumas nepagerės.

► **Pav.34**

## Gręžimas į medį arba metalą

**▲ PERSPĖJIMAS:** Laikykite įrankį tvirtai ir atsargiai žiūrėkite, kada grąžto galvutė pradės gręžti ruošinį. Įrankį / grąžto galvutę veikia didelė sukamoji jėga, kai gręžiama skylė.

**▲ PERSPĖJIMAS:** Įstrigusių grąžto galvutę galima ištraukti tiesiog atbulinės eigos jungiklį nustatant jį atbulinės eigos padėtyje. Tačiau įrankis gali grubiai judėti atgal, jei tvirtai nelaikysite įrankio.

**▲ PERSPĖJIMAS:** Visada pritvirtinkite apdirbamus gaminius spaustuvoje arba panašiam prietaisui.

**PASTABA:** Jeigu ant įrenginio sumontuotas grąžto kumštelinis griebtuvas, nenaudokite „gręžimo ir kalimo“ režimo. Galite sugadinti grąžto kumštelinį griebtuvą. Be to, apverčiant įrankį, grąžto griebtuvas nukris.

**PASTABA:** Per didelis įrankio spaudimas nepageitins gręžimo. Iš tikrųjų dėl tokio spaudimo gali būti pažeista grąžto galvutė, pablogėti įrankio darbas ir sutrumpėti jo eksploataavimo trukmė.

Nustatykite veikimo režimo keitimo rankenėlę ties  $\text{B}$  žyme.



## Skirta HR001G / HR003G

### Pasirenkamasis priedas

Pritvirtinkite griebtuvą suderintuvą prie berakčio grąžto kumštelinio griebtuvo, prie kurio galima prijungti 1/2"–20 dydžio sraigą, tada pritvirtinkite juos prie įrankio. Jį montuodami, žr. skyrių „Grąžto įdėjimas ir išėmimas“.

- **Pav.35:** 1. Berakčio grąžto kumštelinis griebtuvas  
2. Griebtuvo suderintuvas

## Skirta HR002G / HR004G

Naudokite standartinį greitai pakeičiamą grąžto griebtuvą. Kaip jį įtaisyti, žr. skyriuje „Greitai pakeičiamo „SDS-plus“ griebtuvo pakeitimas“.


Laikykite žiedą ir pasukite įvorę prieš laikrodžio rodyklę, kad atidarytumėte griebtuvo žiotis. Įdėkite grąžtą į kumštelinį griebtuvą tiek giliai, kiek lenda. Laikykite žiedą ir sukite įvorę prieš laikrodžio rodyklę, kad užtvirtintumėte griebtuvą.

- **Pav.36:** 1. Įvorė 2. Žiedas

Jei norite išimti grąžtą, laikykite žiedą ir pasukite įvorę prieš laikrodžio rodyklę.

## Gręžimas deimantiniu šerdiniu grąžtu

**PASTABA:** Jeigu atliekant darbus deimantiniais šerdiniais grąžtais nustatytas „gręžimo ir kalimo“ režimas, gali būti sugadintas deimantinis šerdinis grąžtas.

Gręždami deimantiniais grąžtais, darbinio režimo ranke-nėlę visuomet nustatykite į  padėtį, kad būtų atlieka-mas „tik sukimosi“ veiksmas.

## Dulkių iš filtro pašalinimas

### Pasirenkamasis priedas

**▲ PERSPĖJIMAS:** Nesukite ant dulkių rinktuvo esančio ratuko, kai dulkių rinktuvas nuimamas nuo dulkių surinkimo sistemos. Taip darant galima įkvėpti dulkių.

**▲ PERSPĖJIMAS:** Visada išjunkite įrankį, kai sukate ant dulkių rinktuvo esantį ratuką. Pasukus ratuką veikiant įrankiui, įrankis gali tapti nevaldomas.

Pašalinant dulkes iš dulkių rinktuve esančio filtro galima palaikyti siurbimo našumą ir sumažinti kartų, kuriuos reikės pašalinti dulkes, skaičių. Kaskart susirinkus 50 000 mm<sup>3</sup> dulkių ar kai jaučiate, kad siurbimo našumas suprastėjo, pasukite ant dulkių rinktuvo esantį ratuką tris kartus.

**PASTABA:** 50 000 mm<sup>3</sup> dulkių atitinka 10 išgręžtų Ø10 mm ir 65 mm gylio skylių (14 Ø3/8" ir 2" gylio skylių).

- **Pav.37:** 1. Dulkių rinktuvas 2. Ratukas

## Dulkių išmetimas

### Pasirenkamasis priedas

**▲ PERSPĖJIMAS:** Prieš darydami ką nors įrankiui visada patikrinkite, ar įrenginys išjungtas, o akumuliatorių kasetė – nuimta.

**▲ PERSPĖJIMAS:** Išmesdami dulkes būtina naudokite nuo dulkių apsaugančią kaukę.

**▲ PERSPĖJIMAS:** Prieš prisipildant dulkių rinktuvui, jį reguliariai ištuštinkite. To nepadarius, gali sumažėti dulkių surinkimo našumas ir galima įkvėpti dulkių.

**▲ PERSPĖJIMAS:** Dulkių surinkimo našumas sumažėja, jei užsikemša dulkių rinktuve esantis filtras. Pakeiskite filtrą nauju, kai dulkių rinktuvas užsipildo maždaug 200 kartų (orientyras). Nelaikant šių nurodymų, kyla pavojus įkvėpti dulkių.

1. Spausdami ant dulkių rinktuvo esančią svirtį, nuimkite dulkių rinktuvą.  
► **Pav.38:** 1. Svirtis
2. Atidarykite dulkių rinktuvo dangtelį.  
► **Pav.39:** 1. Dangtelis
3. Pašalinkite dulkes, tada išvalykite filtrą.  
► **Pav.40**

**PASTABA:** Valydami filtrą, kad pašalintumėte dulkes, filtro korpusą švelniai patapšnokite ranka. Netapšnokite tiesiai per filtrą; filtro nelieskite šepetėliu ar panašiu daiktu, taip pat į filtrą nepūskite suslęgto oro. Taip darydami, galite sugadinti filtrą.

## Išpūtimo kriaušė

### Pasirenkamasis priedas

Išgręžę skylę naudokite išpūtimo kriaušę dulkėms iš skylės išvalyti.

- **Pav.41**

## Dulkių rinktuvo komplekto naudojimas

### Pasirenkamasis priedas

Kai naudojate įrankį, pritvirtinkite dulkių rinktuvo komplektą prie lubų.

- **Pav.42**

**PASTABA:** Nenaudokite dulkių rinktuvo komplekto, gręždami metalą arba panašią medžiagą. Dėl mažų metalo dulkių ar kitų dalelių išskiriamos karščio dulkių rinktuvo komplektas gali būti sugadintas.

**PASTABA:** Nedėkite ir neišimkite dulkių rinktuvo komplekto, kai grąžtas yra įdėtas į įrankį. Dulkių rinktuvo komplektas gali būti sugadintas, ir dulkės gali pasklisti.



## Saugos dirželio (diržo) tvirtinimas prie kablo

**⚠** Saugos įspėjimai naudojant aukštai Perskaitykite visus saugos įspėjimus ir nurodymus. Nepaisant įspėjimų ir nurodymų, galima sunkiai susižeisti.

1. Kai dirbate aukštai, įrankį visada laikykite pririštą. Maksimalus saugos dirželio ilgis yra 2 m. Didžiausias leistinas saugos dirželio (diržo) kritimo aukštis neturi viršyti 2 m.
2. Naudokite tik šiam įrankio tipui tinkamus saugos dirželius, pritaikytus bent 8,0 kg.
3. Netvirtinkite įrankio saugos diržo prie savęs ar ant judančių dalių. Įrankio saugos diržą tvirtinkite prie tvirtos konstrukcijos, kad jis išlaikytų numesto įrankio jėgas.
4. Prieš naudojimą įsitikinkite, kad saugos diržas yra tinkamai pritvirtintas kiekviename gale.
5. Prieš kiekvieną naudojimą patikrinkite įrankį ir saugos diržą, ar nesugadinti ir tinkamai veikia (įskaitant audinį ir siūles). Jeigu sugadinti arba veikia netinkamai, nenaudokite.
6. Nevyniokite saugos diržų aplink ir neleiskite jiems liestis prie aštrių ar grubių kraštų.
7. Kitą saugos diržo galą pritvirtinkite ne darbo zonoje, kad krinantįs įrankis būtų saugiai prilaikomas.
8. Pritvirtinkite saugos diržą taip, kad įrankis kritimo atveju judėtų tolyn nuo operatoriaus. Nukritę įrankiai sūpsis ant saugos diržo, todėl galima susižaloti arba prarasti pusiausvyrą.
9. Nenaudokite šalia judančių dalių ar veikiančių įrengimų. Jeigu nesilaikysite šio nurodymo, gali kilti sutraiškymo ar įsipainiojimo pavojus.
10. Neneškite įrankio, paėmę už tvirtinimo įtaiso arba saugos diržo.
11. Įrankį iš vienos rankos į kitą perimkite tik tada, kai galite tinkamai išlaikyti pusiausvyrą.
12. Netvirtinkite saugos diržų prie įrankio taip, kad jungikliai ar gaiduko užraktas (jei tiekiamas) negalėtų tinkamai veikti.
13. Stenkitės nesusipainioti saugos diržuose.
14. Saugos diržą laikykite kuo toliau nuo įrankio grėžimo vietos.
15. Naudokite fiksavimo karabiną (atkabinamą keliais veiksmais ir turintį varžtinį fiksatorių). Nenaudokite vienu veiksmu užkabinamų spyruoklinių karabinių.
16. Jeigu įrankis nukrenta, jį reikia pažymėti ir nebenaudoti; jį taip pat turi patikrinti „Makita“ gamykla ar įgaliotasis priežiūros centras.

## BELaidžIO AKTYVINIMO FUNKCIJA

*Papildomas reikmuo, skirtas HR001G/HR002G*

### Ką galima padaryti su belaidžio aktyvinimo funkcija?

Belaidžio aktyvinimo funkcija leidžia dirbti švariai ir patogiai. Pridėtą vakuuminį valymo įrenginį prijungę prie įrankio, galite automatiškai jį paleisti įjungdami įrankį.

#### ► Pav.43

Norėdami naudoti belaidžio aktyvinimo funkciją, pasiruškite šiuos daiktus:

- belaidį bloką (papildomas priedas);
- vakuuminį valymo įrenginį, kuris palaiko belaidžio aktyvinimo funkciją.

Toliau pateikiama belaidžio aktyvinimo funkcijos nustatymo apžvalga. Kiekvienoje dalyje rasite detalias procedūras.

1. Belaidžio bloko įdėjimas
2. Įrankio nustatymas vakuuminiame valymo įrenginyje
3. Belaidžio aktyvinimo funkcijos paleidimas

### Belaidžio bloko įdėjimas

*Pasirenkamas priedas*

**⚠ PERSPĖJIMAS:** Įdėdami belaidį bloką, padėkite įrankį ant stabiliaus plokščio paviršiaus.

**PASTABA:** Prieš įdėdami belaidį bloką, nuo įrankio nuvalykite dulkes ir purvą. Patekusios į belaidžio bloko angą, dulкės arba purvas gali sukelti gedimą.

**PASTABA:** Norėdami išvengti gedimo, kurį gali sukelti statinis elektros krūvis, prieš paimdami belaidį bloką palieskite medžiagą, per kurią išseina statinis elektros krūvis, pavyzdžiui, metalinę įrankio dalį.

**PASTABA:** Įdėdami belaidį bloką, visada įsitikinkite, kad dedate reikiama kryptimi ir kad dangtelis iki galo uždarytas.

1. Atidarykite įrankio dangtelį, kaip parodyta paveikslėlyje.  
► Pav.44: 1. Dangtelis
2. Įdėkite belaidį bloką į angą ir uždarykite dangtelį. Įdėdami belaidį bloką, iškyšas sulygiuokite su angos išėmomis.  
► Pav.45: 1. Belaidis blokas 2. Iškyša 3. Dangtelis 4. Išėma

Norėdami išimti belaidį bloką, lėtai atidarykite dangtelį. Traukiant dangtelį, jo galinėje pusėje esantys kabliukai iškels belaidį bloką.

► Pav.46: 1. Belaidis blokas 2. Kabliukas 3. Dangtelis

Išėmę belaidį bloką laikykite pridėtame dėkle arba nuo statinio krūvio apsaugotoje taroje.

**PASTABA:** Išimdami belaidį bloką visada naudokitės galinėje dangtelio pusėje esančiais kabliukais. Jei kabliukai nepagauna belaidžio bloko, iki galo uždarykite dangtelį ir vėl lėtai jį atidarykite.

## Įrankio nustatymas vakuuiniame valymo įrenginyje

**PASTABA:** Įrankiui nustatyti reikalingas „Makita“ vakuuminis valymo įrenginys, palaikantis belaidžio aktyvinimo funkciją.

**PASTABA:** Prieš pradėdami nustatyti įrankį, įdėkite jį į belaidį bloką.

**PASTABA:** Nustatydami įrankį, netraukite gaiduko ir neįjunkite vakuuminio valymo įrenginio maitinimo.

**PASTABA:** Taip pat žr. vakuuminio valymo įrenginio naudojimo instrukciją.

Jei norite aktyvinti vakuuminį valymo įrenginį įrankio jungikliu, prieš tai nustatykite įrankį.

1. Įdėkite akumuliatorių į vakuuminį valymo įrenginį ir įrankį.
2. Vakuuminio valymo įrenginio parengties jungiklį nustatykite ties „AUTO“.  
► **Pav.47:** 1. Parengties jungiklis
3. 3 sekundes spauskite belaidžio aktyvinimo mygtuką ant vakuuminio valymo įrenginio, kol belaidžio aktyvinimo lemputė ims mirksėti žaliai. Tada tokiu pat būdu paspauskite belaidžio aktyvinimo mygtuką ant įrankio.  
► **Pav.48:** 1. Belaidžio aktyvinimo mygtukas  
2. Belaidžio aktyvinimo lemputė

Jei vakuuminis valymo įrenginys ir įrankis sėkmingai susieti, belaidžio aktyvinimo lemputės 2 sekundes švies žaliai ir ims mirksėti mėlynai.

**PASTABA:** Belaidžio aktyvinimo lemputės nustoja mirksėti žaliai po 20 sekundžių. Kai mirksi valymo įrenginio belaidžio aktyvinimo lemputė, paspauskite belaidžio aktyvinimo mygtuką ant įrankio. Jei belaidžio aktyvinimo lemputė nemirksi žaliai, trumpai paspauskite belaidžio aktyvinimo mygtuką ir vėl palaikykite jį nuspaudę.

**PASTABA:** Jei norite nustatyti du ar daugiau įrankių viename vakuuiniame valymo įrenginyje, nustatykite juos po vieną.

## Belaidžio aktyvinimo funkcijos paleidimas

**PASTABA:** Prieš belaidį aktyvinimą nustatykite įrankį vakuuiniame valymo įrenginyje.

**PASTABA:** Taip pat žr. vakuuminio valymo įrenginio naudojimo instrukciją.

Nustačius įrankį vakuuiniame valymo įrenginyje, jis automatiškai įsijungs įjungus įrankį.

1. Įdėkite belaidį bloką į įrankį.
2. Sujunkite vakuuminio valymo įrenginio žarną su įrankiu.  
► **Pav.49**

3. Vakuuminio valymo įrenginio parengties jungiklį nustatykite ties „AUTO“.

► **Pav.50:** 1. Parengties jungiklis

4. Trumpai paspauskite belaidžio aktyvinimo mygtuką ant įrankio. Belaidžio aktyvinimo lemputė mirksės mėlynai.

► **Pav.51:** 1. Belaidžio aktyvinimo mygtukas  
2. Belaidžio aktyvinimo lemputė

5. Patraukite įrankio gaiduką. Patikrinkite, ar patraukus gaiduką vakuuminis valymo įrenginys veikia.

Norėdami sustabdyti belaidį vakuuminio valymo įrenginio aktyvinimą, paspauskite belaidžio aktyvinimo mygtuką ant įrankio.

**PASTABA:** Nenaudojant 2 valandas, belaidžio aktyvinimo lemputė ant įrankio nustos mirksėti mėlynai. Šiuo atveju parengties jungiklį ant vakuuminio valymo įrenginio nustatykite ties „AUTO“ ir vėl paspauskite belaidžio aktyvinimo mygtuką ant įrankio.

**PASTABA:** Vakuuminis valymo įrenginys ima veikti ir sustoja šiek tiek uždelsęs. Praeina šiek tiek laiko, kol vakuuminis valymo įrenginys nustato, kad buvo panaudotas įrankio jungiklis.










**PASTABA:** Belaidžio bloko perdavimo atstumas gali skirtis priklausomai nuo vietos ir aplinkybių.

**PASTABA:** Kai viename vakuuiniame valymo įrenginyje yra nustatyti du ar daugiau įrankių, vakuuminis valymo įrenginys gali imti veikti net jei nepatraukėte gaiduko, nes kitas naudotojas naudoja belaidžio aktyvinimo funkciją.

## Belaidžio aktyvinimo lemputės būsenos aprašymas

### ► Pav.52: 1. Belaidžio aktyvinimo lemputė

Belaidžio aktyvinimo lemputė rodo belaidžio aktyvinimo funkcijos būseną. Lemputės būsenos reikšmės pateiktos tolesnėje lentelėje.

Būsena	Belaidžio aktyvinimo lemputė				Aprašymas
	Spalva	 Šviečia	 Mirksi	Trukmė	
Parengtis	Mėlyna			2 valandos	Galimas belaidis vakuuminio valymo įrenginio aktyvinimas. Nenaudojant 2 valandas lemputė automatiškai užges.
				Kai įrankis yra naudojamas.	Galimas belaidis vakuuminio valymo įrenginio aktyvinimas ir įrankis yra naudojamas.
Įrankio nustatymas	Žalia			20 sekundžių	Pasirengęs nustatyti įrankį. Laukiama, kol įrankis bus nustatytas vakuuminiame valymo įrenginyje.
				2 sekundės	Įrankis nustatytas. Belaidžio aktyvinimo lemputė ims mirksėti mėlynai.
Įrankio nustatymo atšaukimas	Raudona			20 sekundžių	Pasiruošęs atšaukti įrankio nustatymą. Laukiama, kol įrankio nustatymas bus atšauktas vakuuminiame valymo įrenginyje.
				2 sekundės	Įrankio nustatymas atšauktas. Belaidžio aktyvinimo lemputė ims mirksėti mėlynai.
Kita	Raudona			3 sekundės	Belaidis blokas yra maitinamas ir ima veikti belaidžio aktyvinimo funkcija.
	Nešviečia	-		-	Belaidis vakuuminio valymo įrenginio aktyvinimas sustabdytas.

## Įrankio nustatymo vakuuminiame valymo įrenginyje atšaukimas

Norėdami atšaukti įrankio nustatymą vakuuminiame valymo įrenginyje, atlikite šią procedūrą.

1. Įdėkite akumuliatorius į vakuuminį valymo įrenginį ir įrankį.

2. Vakuuminio valymo įrenginio parengties jungiklį nustatykite ties „AUTO“.

► Pav.53: 1. Parengties jungiklis

3. 6 sekundes spauskite belaidžio aktyvinimo mygtuką ant vakuuminio valymo įrenginio. Belaidžio aktyvinimo lemputė mirksi žaliai ir tampa raudona. Paskui tokiu pat būdu paspauskite belaidžio aktyvinimo mygtuką ant įrankio.

► Pav.54: 1. Belaidžio aktyvinimo mygtukas  
2. Belaidžio aktyvinimo lemputė

Jei atšaukti pavyko, belaidžio aktyvinimo lemputės 2 sekundes švies raudonai ir ims mirksėti mėlynai.

**PASTABA:** Belaidžio aktyvinimo lemputės nustoja mirksėti raudonai po 20 sekundžių. Kai mirksi valymo įrenginio belaidžio aktyvinimo lemputė, paspauskite belaidžio aktyvinimo mygtuką ant įrankio. Jei belaidžio aktyvinimo lemputė nemirksi raudonai, trumpai paspauskite belaidžio aktyvinimo mygtuką ir vėl palaikykite jį nuspaudę.

## Belaidžio aktyvinimo funkcijos trikčių šalinimas

Prieš kreipdamiesi dėl remonto darbų, pirmiausia patikrinkite gedimus patys. Kilus problemų, apie kurias nepaaiškinta vartotojo vadove, nemėginkite ardyti įrankio. Kreipkitės į įgaliotuosius „Makita“ techninės priežiūros centrus, kuriuose remontui visuomet naudojamos originalios „Makita“ keičiamosios dalys.

Neįprasta būklė	Tikėtina priežastis (triktis)	Ištaisomoji priemonė
Belaidžio aktyvinimo lemputė nešviečia arba nemirksi.	Belaidis blokas neįdėtas į įrankį. Belaidis blokas netinkamai įdėtas į įrankį.	Taisyklingai įdėkite belaidį bloką.
	Belaidžio bloko kontaktas ir (arba) anga yra purvini.	Švelniai nuvalykite dulkes ir purvą nuo belaidžio bloko kontakto ir išvalykite angą.
	Belaidžio aktyvinimo mygtukas ant įrankio nebuvo paspaustas.	Trumpai paspauskite belaidžio aktyvinimo mygtuką ant įrankio.
	Vakuuminio valymo įrenginio parengties jungiklis nenustatytas ties „AUTO“.	Vakuuminio valymo įrenginio parengties jungiklį nustatykite ties „AUTO“.
	Nėra maitinimo	Prijunkite įrankio ir vakuuminio valymo įrenginio maitinimą.
Nepavyksta nustatyti įrankio / atšaukti jo nustatymo.	Belaidis blokas neįdėtas į įrankį. Belaidis blokas netinkamai įdėtas į įrankį.	Taisyklingai įdėkite belaidį bloką.
	Belaidžio bloko kontaktas ir (arba) anga yra purvini.	Švelniai nuvalykite dulkes ir purvą nuo belaidžio bloko kontakto ir išvalykite angą.
	Vakuuminio valymo įrenginio parengties jungiklis nenustatytas ties „AUTO“.	Vakuuminio valymo įrenginio parengties jungiklį nustatykite ties „AUTO“.
	Nėra maitinimo	Prijunkite įrankio ir vakuuminio valymo įrenginio maitinimą.
	Netinkamai atlikta procedūra	Trumpai paspauskite belaidžio aktyvinimo mygtuką ir iš naujo atlikite įrankio nustatymo / atšaukimo procedūras.
	Įrankis ir vakuuminis valymo įrenginys yra toli vienas nuo kito (už perdavimo diapazono ribų).	Padėkite įrankį ir vakuuminį valymo įrenginį arčiau vienas kito. Didžiausias perdavimo atstumas yra maždaug 10 m, bet jis gali skirtis pagal aplinkybes.
	Prieš nustatant / atšaukiant įrankį: - patraukiamas gaidukas ant įrankio arba - įjungiamas maitinimo mygtukas ant vakuuminio valymo įrenginio.	Trumpai paspauskite belaidžio aktyvinimo mygtuką ir iš naujo atlikite įrankio nustatymo / atšaukimo procedūras.
	Neatliktos įrankio nustatymo procedūros įrankyje arba vakuuminiame valymo įrenginyje.	Tuo pačiu metu atlikite įrankio nustatymo procedūras įrankyje ir vakuuminiame valymo įrenginyje.
	Kitų prietaisų, generuojančių didelio intensyvumo radijo bangas, keliami radijo bangų trikdžiai.	Patraukite įrankį ir vakuuminį valymo įrenginį toliau nuo tokių prietaisų kaip belaidžio ryšio įrenginiai ir mikrobangų krosnelės.
Vakuuminis valymo įrenginys neveikia įjungus įrankio jungiklį.	Belaidis blokas neįdėtas į įrankį. Belaidis blokas netinkamai įdėtas į įrankį.	Taisyklingai įdėkite belaidį bloką.
	Belaidžio bloko kontaktas ir (arba) anga yra purvini.	Švelniai nuvalykite dulkes ir purvą nuo belaidžio bloko kontakto ir išvalykite angą.
	Belaidžio aktyvinimo mygtukas ant įrankio nebuvo paspaustas.	Trumpai paspauskite belaidžio aktyvinimo mygtuką ir patikrinkite, ar belaidžio aktyvinimo lemputė mirksi mėlynai.
	Vakuuminio valymo įrenginio parengties jungiklis nenustatytas ties „AUTO“.	Vakuuminio valymo įrenginio parengties jungiklį nustatykite ties „AUTO“.
	Vakuuuminiame valymo įrenginyje yra nustatyta daugiau kaip 10 įrankių.	Iš naujo nustatykite įrankį. Jei vakuuminiame valymo įrenginyje nustatyta daugiau kaip 10 įrankių, anksčiausiai nustatytas įrankis bus automatiškai atšauktas.
	Vakuuminis valymo įrenginys ištrynė visus įrankių nustatymus.	Iš naujo nustatykite įrankį.
	Nėra maitinimo	Prijunkite įrankio ir vakuuminio valymo įrenginio maitinimą.
	Įrankis ir vakuuminis valymo įrenginys yra toli vienas nuo kito (už perdavimo diapazono ribų).	Padėkite įrankį ir vakuuminį valymo įrenginį arčiau vienas kito. Didžiausias perdavimo atstumas yra maždaug 10 m, bet jis gali skirtis pagal aplinkybes.
	Kitų prietaisų, generuojančių didelio intensyvumo radijo bangas, keliami radijo bangų trikdžiai.	Patraukite įrankį ir vakuuminį valymo įrenginį toliau nuo tokių prietaisų kaip belaidžio ryšio įrenginiai ir mikrobangų krosnelės.
Vakuuminis valymo įrenginys veikia nepatraukus įrankio gaiduko.	Kiti naudotojai naudoja belaidį vakuuminio valymo įrenginio aktyvinimą su savo įrankiais.	Išjunkite kitų įrankių belaidžio aktyvinimo mygtuką arba atšaukite kitų įrankių nustatymą.

# TECHINĖ PRIEŽIŪRA

**▲PERSPĖJIMAS:** Visuomet įsitikinkite, ar įrankis yra išjungtas ir akumulatoriaus kasetė yra nuimta prieš atlikdami apžiūrą ir priežiūrą.

**PASTABA:** Niekada nenaudokite gazolino, benzino, tirpiklio, spirito arba panašių medžiagų. Gali atsirasti išblukimų, deformacijų arba įtrūkimų.

Kad gaminyt būtų SAUGUS ir PATIKIMAS, jį taisyti, apžiūrėti ar vykdyti bet kokią kitą priežiūrą ar derinimą turi įgaliotasis kompanijos „Makita“ techninės priežiūros centras; reikia naudoti tik kompanijos „Makita“ pagamintas atsargines dalis.

## Dulkių rinktuvo filtro pakeitimas

### *Pasirenkamasis priedas*

1. Spausdami ant dulkių rinktuvo esančią svirtį, nuimkite dulkių rinktuvą.  
► **Pav.55:** 1. Svirtis
2. Norėdami nuimti filtro dangtelį, į filtro dangtelio angas įkiškite plokščiąjį atsuktuvą.  
► **Pav.56:** 1. Plokščiasis atsuktuvas 2. Filtro dangtelis
3. Išimkite filtrą iš filtro dėklo.  
► **Pav.57:** 1. Filtras 2. Filtro dėklas
4. Pritvirtinkite naują filtrą prie filtro dėklo, tada pritvirtinkite filtro dangtelį.
5. Uždarykite dulkių rinktuvo dangtelį, tada dulkių rinktuvą pritvirtinkite prie dulkių surinkimo sistemos.

## Sandarinimo dangtelio pakeitimas

### *Pasirenkamasis priedas*

Jei sandarinimo dangtelis nusidėvėjo, sumažėja dulkių surinkimo našumas. Jei jis nusidėvėjo, pakeiskite. Nuimkite sandarinimo dangtelį, tada pritvirtinkite naują, iškyšą nukreipdami į viršų.  
► **Pav.58:** 1. Iškyša 2. Sandarinimo dangtelis

# PASIRENKAMI PRIEDAI

**▲PERSPĖJIMAS:** Šiuos papildomus priedus arba įtaisus rekomenduojama naudoti su šioje instrukcijoje nurodytu „Makita“ bendrovės įrankiu. Naudojant bet kokius kitus papildomus priedus arba įtaisus, gali kilti pavojus sužeisti žmones. Naudokite tik nurodytam tikslui skirtus papildomus priedus arba įtaisus.

Jeigu norite daugiau sužinoti apie tuos priedus, kreipkitės į artimiausią „Makita“ techninės priežiūros centrą.

- Karbidiniai grąžto antgaliai (karbidiniai grąžto antgaliai „SDS-Plus“)
- Šerdis grąžtas
- Piramidinis kaltas
- Deimantinis šerdis grąžtas
- Šaltkalvio kaltelis

- Nuodegų šalinimo kirstukas
- Graviravimo kirstukas
- Griebtuvo suderintuvas
- Berakčio grąžto kumštelinis griebtuvas
- Grąžto antgalio tepalas
- Gylio ribotuvas
- Išpūtimo kriaušė
- Dulkių rinktuvas
- Dulkių rinktuvo komplektas
- Kablo komplektas
- Dulkių rinktuvo komplektas
- Grąžto griebtuvo komplektas
- Filtro komplektas
- Įrankio laikiklio komplektas
- Lankstas
- Dulkių surinkimo sistema
- Belaidis blokas
- Originalus „Makita“ akumulatorius ir įkroviklis
- Apsauginiai akiniai
- Plastikinis nešiojimo dėklas

**PASTABA:** Kai kurie sąrašė esantys priedai gali būti pateikti įrankio pakuotėje kaip standartiniai priedai. Jie įvairiose šalyse gali skirtis.

## TEHNILISED ANDMED

Mudel:		HR001G	HR002G	HR003G	HR004G
Võimekus	Betoon	28 mm			
	Südamikupuur	54 mm			
	Teemant-südamikupuur (kuiva tüüpi)	65 mm			
	Teras	13 mm			
	Puit	32 mm			
Koormuseta kiirus	0 – 980 min <sup>-1</sup>				
Löökide arv minutis	0 – 5 000 min <sup>-1</sup>				
Nimipinge	Alalisvool 36 V – 40 V max				
Üldpikkus	BL4025	358 mm	389 mm	358 mm	389 mm
	BL4040	373 mm	404 mm	373 mm	404 mm
Netokaal		3,9 – 4,6 kg	4,1 – 4,6 kg	3,9 – 4,6 kg	4,0 – 4,5 kg

### Lisatarvik

Mudel:	DX12 (mudelile HR001G/HR003G)	DX14 (mudelile HR002G/HR004G)
Imemisvõimsus	350 l/min	
Tööulatus	Kuni 190 mm	
Sobiv puur	Kuni 260 mm	
Nimipinge	Alalisvool 36 V – 40 V max	
Netokaal	1,6 kg	

- Meie pideva uuringu- ja arendusprogrammi tõttu võidakse tehnilisi andmeid muuta ilma sellest ette teatamata.
- Tehnilised andmed võivad riigiti erineda.
- Kaal võib erineda olenevalt lisaseadistest, kaasa arvatud akukassetist. Kergeim ja raskeim kombinatsioon EPTA-protseduuri 01/2014 kohaselt on toodud tabelis.

### Sobiv akukassett ja laadija

Akukassett	BL4025 / BL4040
Laadija	DC40RA

- Mõned eespool loetletud akukassetid ja -laadijad ei pruugi olla teie riigis saadaval.

**⚠ HOIATUS:** Kasutage ainult ülalpool loetletud akukasseid ja laadureid. Muude akukassetide ja laadurite kasutamine võib tekitada vigastusi ja/või tulekahju.

### Kavandatud kasutus

See tööriist on mõeldud nii telliste, betooni ja kivi löökpuurimiseks ning puurimiseks kui ka meiseldamiseks. Lisaks sobib see puidu, metalli, keraamika ja plasti puurimiseks ilma löökmehanismi kasutamata.

### Müra

Tüüpiline A-korrigeeritud müratase, määratud standardi EN60745-2-6 kohaselt:

#### Mudel HR001G

Helirõhutase ( $L_{pA}$ ): 95 dB (A)  
 Helivõimsuse tase ( $L_{WA}$ ): 106 dB (A)  
 Määramatus (K): 3 dB (A)

#### Mudel HR002G

Helirõhutase ( $L_{pA}$ ): 93 dB (A)  
 Helivõimsuse tase ( $L_{WA}$ ): 104 dB (A)  
 Määramatus (K): 3 dB (A)

#### Mudel HR003G

Helirõhutase ( $L_{pA}$ ): 95 dB (A)  
 Helivõimsuse tase ( $L_{WA}$ ): 106 dB (A)  
 Määramatus (K): 3 dB (A)

#### Mudel HR004G

Helirõhutase ( $L_{pA}$ ): 93 dB (A)  
 Helivõimsuse tase ( $L_{WA}$ ): 104 dB (A)  
 Määramatus (K): 3 dB (A)

#### Mudel HR001G koos mudeliga DX12

Helirõhutase ( $L_{pA}$ ): 93 dB (A)  
 Helivõimsuse tase ( $L_{WA}$ ): 104 dB (A)  
 Määramatus (K): 3 dB (A)

#### Mudel HR002G koos mudeliga DX14

Helirõhutase ( $L_{pA}$ ): 93 dB (A)  
 Helivõimsuse tase ( $L_{WA}$ ): 104 dB (A)  
 Määramatus (K): 3 dB (A)

### Mudel HR003G koos mudeliga DX12

Helirõhutase ( $L_{pA}$ ): 93 dB (A)

Helivõimsuse tase ( $L_{WA}$ ): 104 dB (A)

Määramatus (K): 3 dB (A)

### Mudel HR004G koos mudeliga DX14

Helirõhutase ( $L_{pA}$ ): 93 dB (A)

Helivõimsuse tase ( $L_{WA}$ ): 104 dB (A)

Määramatus (K): 3 dB (A)

**MÄRKUS:** Deklareeritud müra väärtust (väärtuseid) on mõõdetud kooskõlas standardse katsemeetodiga ning seda võib kasutada ühe seadme võrdlemiseks teisega.

**MÄRKUS:** Deklareeritud müra väärtust (väärtuseid) võib kasutada ka mürataseme esmaseks hindamiseks.

**▲HOIATUS:** Kasutage kõrvakaitsmeid.

**▲HOIATUS:** Mürataseme võib elektritööriista tegelikkuses kasutamise ajal erineda deklareeritud väärtus(t)est olenevalt tööriista kasutusviisidest ja eriti töödeldavast toorikust.

**▲HOIATUS:** Rakendage operaatori kaitsmiseks kindlasti piisavaid ohutusabinõusid, mis põhinevad hinnangulisel müratasemel tegelikus töösituatsioonis (võttes arvesse tööperioodi kõiki osasid, näiteks korrad, kui seade lülitatakse välja ja seade töötab tühikäigul, lisaks tööajale).

## Vibratsioon

Järgmises tabelis on toodud vibratsiooni koguväärtus (kolmeteljelise vektori summa), mis on määratud kohaldatava standardi kohaselt.

### Mudel HR001G

Töörežiim	Vibratsiooni- heide	Määramatus (K)	Kohaldatav standard
Betooni löökpuurimine ( $a_{h, HD}$ )	7,0 m/s <sup>2</sup>	1,5 m/s <sup>2</sup>	EN60745-2-6
Betooni löökpuurimine mudeliga DX12 ( $a_{h, HD}$ )	7,0 m/s <sup>2</sup>	1,5 m/s <sup>2</sup>	EN60745-2-6
külgläpide-mega meiseldamise funktsioon ( $a_{h, Cheq}$ )	6,5 m/s <sup>2</sup>	1,5 m/s <sup>2</sup>	EN60745-2-6
Metallide löökpuurimine ( $a_{h, D}$ )	2,5 m/s <sup>2</sup> või vähem	1,5 m/s <sup>2</sup>	EN60745-2-1

### Mudel HR002G

Töörežiim	Vibratsiooni- heide	Määramatus (K)	Kohaldatav standard
Betooni löökpuurimine ( $a_{h, HD}$ )	6,5 m/s <sup>2</sup>	1,5 m/s <sup>2</sup>	EN60745-2-6
Betooni löökpuurimine mudeliga DX14 ( $a_{h, HD}$ )	6,0 m/s <sup>2</sup>	1,5 m/s <sup>2</sup>	EN60745-2-6
külgläpide-mega meiseldamise funktsioon ( $a_{h, Cheq}$ )	7,5 m/s <sup>2</sup>	1,5 m/s <sup>2</sup>	EN60745-2-6
Metallide löökpuurimine ( $a_{h, D}$ )	2,5 m/s <sup>2</sup>	1,5 m/s <sup>2</sup>	EN60745-2-1

### Mudel HR003G

Töörežiim	Vibratsiooni- heide	Määramatus (K)	Kohaldatav standard
Betooni löökpuurimine ( $a_{h, HD}$ )	7,0 m/s <sup>2</sup>	1,5 m/s <sup>2</sup>	EN60745-2-6
Betooni löökpuurimine mudeliga DX12 ( $a_{h, HD}$ )	7,0 m/s <sup>2</sup>	1,5 m/s <sup>2</sup>	EN60745-2-6
külgläpide-mega meiseldamise funktsioon ( $a_{h, Cheq}$ )	7,0 m/s <sup>2</sup>	1,5 m/s <sup>2</sup>	EN60745-2-6
Metallide löökpuurimine ( $a_{h, D}$ )	2,5 m/s <sup>2</sup> või vähem	1,5 m/s <sup>2</sup>	EN60745-2-1

### Mudel HR004G

Töörežiim	Vibratsiooni- heide	Määramatus (K)	Kohaldatav standard
Betooni löökpuurimine ( $a_{h, HD}$ )	6,5 m/s <sup>2</sup>	1,5 m/s <sup>2</sup>	EN60745-2-6
Betooni löökpuurimine mudeliga DX14 ( $a_{h, HD}$ )	6,0 m/s <sup>2</sup>	1,5 m/s <sup>2</sup>	EN60745-2-6
külgläpide-mega meiseldamise funktsioon ( $a_{h, Cheq}$ )	7,5 m/s <sup>2</sup>	1,5 m/s <sup>2</sup>	EN60745-2-6
Metallide löökpuurimine ( $a_{h, D}$ )	2,5 m/s <sup>2</sup>	1,5 m/s <sup>2</sup>	EN60745-2-1

**MÄRKUS:** Deklareeritud vibratsiooni koguväärtust (-väärtuseid) on mõõdetud kooskõlas standardse katsemeetodiga ning seda võib kasutada ühe seadme võrdlemiseks teisega.

**MÄRKUS:** Deklareeritud vibratsiooni koguväärtust (-väärtuseid) võib kasutada ka mürataseme esmaseks hindamiseks.

**▲HOIATUS:** Vibratsioonitase võib elektritööriista tegelikkuses kasutamise ajal erineda deklareeritud väärtus(t)est olenevalt tööriista kasutusviisidest ja eriti töödeldavast toorikust.

**▲HOIATUS:** Rakendage operaatori kaitsmiseks kindlasti piisavaid ohutusabinõusid, mis põhinevad hinnangulisel müratasemel tegelikus töösituatsioonis (võttes arvesse tööperioodi kõiki osasid, näiteks korrad, kui seade lülitatakse välja ja seade töötab tühikäigul, lisaks tööajale).

## EÜ vastavusdeklaratsioon

### Ainult Euroopa riikide puhul

EÜ vastavusdeklaratsioon sisaldub käesoleva juhendi Lisas A.



# OHUTUSHOIATUSED

## Üldised elektritööriistade ohutushoiatused

**▲HOIATUS:** Lugege läbi kõik selle elektritööriistaga kaasas olevad ohutushoiatused, juhised, joonised ja tehnilised andmed. Järgnevate juhiste eiramine võib põhjustada elektrilöögi, süttimise ja/või raske kehavigastuse.

## Hoidke edaspidisteks viideteks alles kõik hoiatused ja juhtnöörid.

Hoiatustes kasutatud termini „elektritööriist“ all peetakse silmas elektriga töötavaid (juhtmega) elektritööriistu või akuga töötavaid (juhtmata) elektritööriistu.

## JUHTMETA PUURVASARA OHUTUSNÕUDED

1. **Kasutage kuulmiskaitsmeid.** Kokkupuude müraga võib kahjustada kuulmist.
2. **Kasutage lisakäepidet/pidemeid, kui need on tööriistadega kaasas.** Kontrolli puudumine võib põhjustada inimestele vigastusi.
3. **Hoidke elektritööriista löikamise ajal isoleeritud käepidemest, kui löikeriist võib kokku puutuda peidetud juhtmetega.** Voolu all oleva juhtmega kokkupuutesse sattunud löiketera võib pingestada elektritööriista metallosi ning põhjustada kasutajale elektrilöögi.
4. **Kasutage kaitsekiivrit, kaitseprille ja/või näokaitset.** Tavalised prillid või päikesepriidid EI OLE kaitseprillid. Äärmiselt soovitatav on kasutada ka tolmumaski ja paksu polstriga kindaid.
5. **Enne tööriista kasutamist kontrollige, kas otsak on oma kohale fikseeritud.**
6. **Tööriista tavapärase kasutamise kasneb vibratsioon.** Kruvid võivad hõlpsalt lahti tulla, millega võib kaasneda tööriista purunemine või tööõnnetus. Enne tööriista kasutamist kontrollige hoolikalt kruvide pingutatust.
7. **Külma ilma korral või siis, kui tööriista ei ole pikemat aega kasutatud, laske tööriistal mõnda aega soojeneda, kaitades seda ilma koormuseta.** See tõstab määrdeõli temperatuuri. Ilma nõuetekohase soojenemiseta on löökrežiimi kasutamine komplitseeritud.
8. **Veenduge alati, et teie jalgealune oleks kindel.** Kui töötate kõrguses, siis jälgige, et teist allpool ei viibiks inimesi.
9. **Hoidke tööriista kindlalt kahe käega.**
10. **Hoidke käed liikuvatest osadest eemal.**
11. **Ärge jätke tööriista käima.** Käivitage tööriist ainult siis, kui hoiate seda käes.
12. **Tööriista kasutamisel ärge suunake seda läheduses viibijate poole.** Otsak võib välja lennata ja põhjustada raskeid vigastusi.

13. **Ärge puudutage vahetult pärast tööriista kasutamist puuriotsakut, otsaku läheduses asuvaid osi ega töödeldavat detaili, sest need võivad olla väga kuumad ja nahka põletada.**
14. **Mõned materjalid võivad sisaldada mürgiseid aineid.** Võtke meetmed tolmu sissehingamise ja nahaga kokkupuute vältimiseks. Järgige materjali tarnija ohustusteavet.
15. **Enne tööriista teisele inimesele edasiandmist kandke hoolt selle eest, et tööriist oleks välja lülitatud ning akukassett ja otsak oleksid eemaldatud.**
16. **Enne kasutamist veenduge, et tööpiirkonnas ei oleks maa sees selliseid objekte nagu elektritoru, veetoru või gaasitoru.** Muidu võib puuriotsak/meisel nende vastu minna, mis võib kaasa tuua elektrilöögi, elektrilekke või gaasilekke.

## HOIDKE JUHEND ALLES.

**▲HOIATUS:** ÄRGE UNUSTAGE järgida toote ohutusnõudeid mugavuse või toote (korduskasutamise) hea tundmise tõttu. **VALE KASUTUS** või kasutusjuhendi ohutuseeskirjade eiramine võib põhjustada tervisekahjustusi.

## Akukassetiga seotud olulised ohutusjuhised

1. **Enne akukassetti kasutamist lugege (1) akulaadial, (2) akul ja (3) seadmel olevad juhtnöörid ja hoiatused läbi.**
2. **Ärge võtke akukassetti lahti ega muutke seda.** See võib põhjustada tulekahju, liigset kuumust või plahvatusi.
3. **Kui tööaeg järsult lüheneb, siis lõpetage kohe kasutamine.** Edasise kasutamise tulemuseks võib olla ülekuumenemine, võimalikud põletused või isegi plahvatus.
4. **Kui elektrilüüti satub silma, siis loputage silma puhta veega ja pöörduge koheselt arsti poole.** Selline õnnetus võib põhjustada pimedaksjäämist.
5. **Ärge tekitage akukassetis lühist:**
  - (1) **Ärge puutuge klemme elektrijuhtidega.**
  - (2) **Ärge hoidke akukassetti tööriistakastis koos metallesemetega, nagu naelad, mündid jne.**
  - (3) **Ärge tehke akukassetti märjaks ega jätke seda vihma kätte.****Aku lühis võib põhjustada tugevat elektrivoolu, ülekuumenemist, põletusi ning ka seadet tõsiselt kahjustada.**
6. **Ärge hoidke tööriista ja akukassetti kohtades, kus temperatuur võib tõusta üle 50 °C.**
7. **Ärge põletage akukassetti isegi siis, kui see on saanud tõsiselt vigastada või on täiesti kuldunud.** Akukassett võib tules plahvatada.
8. **Ärge naelutage, löigake, muljuge, visake akukassetti ega laske sel kukkuda, samuti ärge lööge selle pihta kõva esemega.** Selline tegevus võib põhjustada tulekahju, liigset kuumust või plahvatusi.
9. **Ärge kasutage kahjustatud akut.**

10. **Sisalduvatele liitium-ioonakudele võivad kohalduda ohtlike kaupade õigusaktide nõuded.**

Kaubanduslikul transportimisel, näiteks kolmandate poolte või transpordiettevõtete poolt, tuleb järgida pakendil ja siltidel toodud erinõudeid. Transportimiseks ettevalmistamisel on vajalik pidada nõu ohtliku materjali eksperdigiga. Samuti tuleb järgida võimalike riiklike regulatsioonide üksikasjalikumaid nõudeid. Katke teibiga või varjake avatud kontaktid ja pakendage aku selliselt, et see ei saaks pakendis liikuda.

11. **Kasutuskõlbmatuks muutunud akukasetti kõrvaldamiseks eemaldage see tööriistast ja viige selleks ette nähtud kohta. Järgige kasutuskõlbmatuks muutunud aku kõrvaldamisel kohalikke eeskirju.**
12. **Kasutage akusid ainult Makita heaks kiidetud toodetega.** Akude paigaldamine selleks mitte ettenähtud toodetele võib põhjustada süttimist, ülemäärast kuumust, plahvatamist või elektrilöödi lekkimist.
13. **Kui tööriista ei kasutata pika ajaperioodi jooksul, tuleb aku tööriistast eemaldada.**
14. **Kasutamise ajal ja pärast kasutamist võib akukasetti kuumeneda, mis võib põhjustada põletusi või madala temperatuuri põletusi. Olge kuumu akukasetti kandmisel ettevaatlik.**
15. **Ärge puudutage tööriista klemmi kohe pärast kasutamist, sest see võib olla kuum ja põhjustada põletusi.**
16. **Hoidke akukasetti klemmid, avad ja sooned tükikestest, tolmust ja mullast puhtad.** Muidu võib tööriist või akukasetti halvasti töötada või puruneda.
17. **Kui tööriista ei kannata kasutamist kõrgepingeliinide lähedal, ärge kasutage akukasetti kõrgepingeliinide lähedal.** Muidu võib tööriist või akukasetti puruneda või sellel tõrge tekkida.

## HOIDKE JUHEND ALLES.

**⚠ETTEVAATUST:** Kasutage ainult Makita originaalakusid. Mitte Makita originaalakude või muudetud akude kasutamine võib põhjustada akude süttimise, kehavigastuse ja kahjustuse. Samuti muudab see kehtetuks Makita tööriista ja laadija Makita garantii.

## Vihjeid aku maksimaalse kasutaja tagamise kohta

1. **Laadige akukasetti enne selle täielikku tühenemist.** Kui märkate, et tööriist töötab väiksema võimsusega, peatage töö ja laadige akukasetti.
2. **Ärge laadige täielikult laetud akukasetti.** Ülelaadimine lühendab akude kasutusiga.
3. **Laadige akukasetti toatemperatuuril 10 °C - 40 °C.** Enne laadimist laske kuumenenud akukasetti maha jahtuda.
4. **Kui te ei kasuta parajasti akukasetti, eemaldage see tööriistast või laadurist.**
5. **Kui te ei kasuta akukasetti kauem kui kuus kuud, laadige see.**

## Juhtmeta seadmega seotud olulised ohutusjuhised

1. **Ärge võtke juhtmeta seadet lahti ega muutke seda omavoliiselt.**
2. **Hoidke juhtmeta seadet lastele kättesaamatus kohas. Kogemata allaneelamise korral pööruda kohe arsti poole.**
3. **Kasutage juhtmeta seadet ainult koos Makita tööriistadega.**
4. **Ärge jätke juhtmeta seadet vihma kätte ega märga keskkonda.**
5. **Ärge kasutage juhtmeta seadet kohtades, kus temperatuur on üle 50 °C.**
6. **Ärge kasutage juhtmeta seadet kohtades, kus leidub meditsiinilisi seadmeid, nagu südamestimulaatorid.**
7. **Ärge kasutage juhtmeta seadet kohtades, kus leidub automatiseeritud seadmeid.** Muidu võib automatiseeritud seadmetel esineda talitushäireid või need võivad minna rikki.
8. **Ärge töötage juhtmeta seadmega kohtades, kus on kõrge temperatuur ja kus võib esineda staatilist elektrit või elektrilist müra.**
9. **Juhtmeta seadmed võivad tekitada elektromagnetvälju (EMV), mis ei ole kasutajale kahjulikud.**
10. **Juhtmeta seade on täppiseade. Olge ettevaatlik, ärge laske juhtmevabal seadmel maha kukkuda ja vältige lööke.**
11. **Ärge puudutage juhtmeta seadme klemmi paljaste käte või metalliesemetega.**
12. **Juhtmeta seadme tööriista sisse paigaldamisel eemaldage tootest alati aku.**
13. **Ärge avage pesa katet kohas, kus tolm või vesi võivad pesasse sattuda. Hoidke pesa siselaskeava alati puhtana.**
14. **Sisestage juhtmeta seade alati õiges suunas.**
15. **Ärge vajutage juhtmeta seadme juhtmeta aktiveerimise nupule liiga tugevalt ja/või ärge tehke seda teravate servadega esemega.**
16. **Sulgege pesa kaas alati pärast kasutamist.**
17. **Ärge eemaldage juhtmeta seadet pesast ajal, kui tööriista varustatakse toitega.** Selle juhise järgimata jätmine võib tekitada juhtmeta seadme talitushäireid.
18. **Ärge eemaldage juhtmevabalt seadmelt kleebist.**
19. **Ärge pange juhtmevabale seadmele mingeid kleebiseid.**
20. **Ärge jätke juhtmeta seadet kohta, kus võib esineda staatilist elektrit või elektrilist müra.**
21. **Ärge jätke juhtmeta seadet kohta, kus on väga kuum, nt päikese kätte seisvasse autosse.**
22. **Ärge jätke juhtmeta seadet tolmusesse või pulbrilisse kohta või kohta, kus võib esineda söövitavaid gaase.**
23. **Äkiline temperatuuri muutumine võib tekitada juhtmeta seadme pinnale niiskuskihhi. Ärge kasutage juhtmeta seadet enne, kui kogunenud niiskus on täielikult ära kuivanud.**

24. Juhtmeta seadme puhastamisel pühkige seda õrnalt pehme lapiga. Ärge kasutage bensiini, lahusteid, juhtivaid määreid vms.
25. Juhtmeta seadme hoiustamisel hoidke seda komplekti kuuluvas karbis või staatikavabas konteineris.
26. Ärge sisestage tööriista pesasse muid seadmeid kui Makita juhtmeta seade.
27. Ärge kasutage tööriista, kui pesa kaas on kahjustunud. Pessa sattuvad vesi, tolm või mustus võivad põhjustada talitushäireid.
28. Ärge tõmmake ega väänake pesa katet rohkem kui vajalik. Kui tööriistalt tuleb kaas ära, siis pange see oma kohale tagasi.
29. Asendage pesa kaas, kui see on läinud kaduma või kahjustunud.

## HOIDKE JUHEND ALLES.

## FUNKTSIONAALNE KIRJELDUS

**⚠ETTEVAATUST:** Kandke alati hoolt selle eest, et tööriist oleks enne reguleerimist ja kontrollimist välja lülitatud ja akukassett eemaldatud.

### Akukasseti paigaldamine või eemaldamine

**⚠ETTEVAATUST:** Lülitage tööriist alati enne akukasseti paigaldamist või eemaldamist välja.

**⚠ETTEVAATUST:** Akukasseti paigaldamisel või eemaldamisel tuleb tööriista ja akukassetti kindlalt paigal hoida. Kui tööriista ja akukassetti ei hoita kindlalt paigal, võivad need käest libiseda ning kahjustada tööriista ja akukassetti või põhjustada kehavigastusi.

► **Joon.1:** 1. Punane näidik 2. Nupp 3. Akukassett

Akukasseti eemaldamiseks libistage see tööriista küljest lahti, vajutades kasseti esiküljel paiknevat nuppu alla.

Akukasseti paigaldamiseks joondage akukasseti keel korpuse soonega ja libistage kassett oma kohale. Paigaldage akuadapter alati nii kaugele, et see lukustuks klõpsatusega oma kohale. Kui näete nupu ülaosas punast osa, pole kassett täielikult lukustunud.

















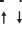

**⚠ETTEVAATUST:** Paigaldage akukassett alati täies ulatuses nii, et punast osa ei jääks näha. Muidu võib adapter juhuslikult tööriistast välja kukkuda ning põhjustada teile või läheduses viibivatele isikutele vigastusi.

**⚠ETTEVAATUST:** Ärge rakendage akukasseti paigaldamisel jõudu. Kui kassett ei lähe kergesti sisse, pole see õigesti paigaldatud.

## Aku jääkmahutavuse näit

Akukasseti järelejäanud mahutavuse kontrollimiseks vajutate kontrollimise nuppu. Märgulambid süttivad mõneks sekundiks.

► **Joon.2:** 1. Märgulambid 2. Kontrollimise nupp

Märgulambid			Jääkmahutavus
 Pöleb	 Ei põle	 Vilgub	
			75 - 100%
			50 - 75%
			25 - 50%
			0 - 25%
			Laadige akut.
			Akul võib olla tõrge.
			

**MÄRKUS:** Näidatud mahutavus võib veidi erineda tegelikust mahutavusest olenevalt kasutustingimustest ja ümbritseva keskkonna temperatuurist.

## Tööriista/aku kaitsesüsteem

Tööriist on varustatud tööriista või aku kaitsesüsteemiga. Süsteem lülitab mootori automaatselt välja, et pikendada tööriista ja aku tööiga. Tööriist seiskub käitamise ajal automaatselt, kui tööriista või aku kohta kehtib üks järgmistest tingimustest.

### Ülekoormuskaitse

Kui akut kasutatakse viisil, mis nõuab akust tavatult palju voolu, seiskub tööriist ilma mingi näiduta. Sellises olukorras lülitage tööriist välja ja lõpetage tegevus, mis põhjustas tööriista ülekoormuse. Seejärel lülitage tööriist taaskäivitamiseks uuesti sisse.

### Ülekuumenemiskaitse

Tööriista või aku ülekuumenemisel seiskub tööriist automaatselt. Laske sellisel juhul tööriistal ja akul enne tööriista uuesti sisselülitamist jahtuda.

**MÄRKUS:** Kui tööriist üle kuumeneb, siis tuli vilgub.

### Ülelaadimiskaitse

Kui aku laetuse tase ei ole piisav, seiskub tööriist automaatselt. Sellisel juhul eemaldage aku seadmest ja laadige täis.

## Lüliti funktsioneerimine

**⚠️HOIATUS:** Kontrollige alati enne akumassi tööriista külge paigaldamist, kas lüliti päästik funktsioneerib nõuetekohaselt ja liigub lahtilaskmisel tagasi väljalülitatud asendisse.

► **Joon.3:** 1. Lüliti päästik

Tööriista tööle panemiseks on vaja lihtsalt lüliti päästikut vajutada. Tööriista kiirus kasvab siis, kui suurendate survet lüliti päästikule. Vabastage lüliti päästik tööriista seiskamiseks.

## Kiiruse muutmine

Pöördeid ja lööke minutis saab reguleerida regulaatorkettaga. Kettal on märgised 1-st (madalaim kiirus) 5-ni (täiskiirus).

► **Joon.4:** 1. Regulaatorketas

Alltoodud tabelis on esitatud seosed regulaatorkettal olevate numbrite ja minutis tehtavate pöörete/löökide arvu vahel.

Number	Pöörete arv minutis	Löökide arv minutis
5	980	5 000
4	870	4 440
3	630	3 210
2	380	1 940
1	300	1 530

**⚠️ETTEVAATUST:** Ärge pöörake regulaatorkettast tööriista töötamise ajal. Muudu võib tagajärjeks olla kontrolli kaotamine tööriista üle, mis võib põhjustada kehavigastuse.

**TÄHELEPANU:** Kui tööriista kasutatakse lakamatult pika aja vältel aeglasel kiirusel, koormab see mootori üle ja tööriista töös võivad tekkida tõrked.

**TÄHELEPANU:** Kiiruse reguleerimise skaalat saab pöörata ainult kuni 5-ni ja tagasi kuni 1-ni. Ärge suruge skaalat jõuga üle 5 või 1, kuna kiiruse reguleerimisfunktsioon võib rikki minna.

**MÄRKUS:** Koormuseta sujuvpöörlemise funktsioon (mudelile HR001G/HR002G)

Kui kiiruseregulaator on numbril „4“ või suuremal numbril, vähendab tööriist automaatselt koormuseta kiirust, et vähendada koormuseta käitamisel esinevat vibratsiooni. Kui otsak on vastu betooni ja töö käivitub, siis löökide arv minutis suureneb ja saavutab tabelis näidatud suurused. Kui temperatuur on madal ja määrdaine ei ole vedel, võib tööriistal nimetatud funktsioon puududa, isegi kui mootor pöörleb.

## Eesmise lambi süütamine

► **Joon.5:** 1. Lamp

**⚠️ETTEVAATUST:** Ärge vaadake otse valgusesse ega valgusalikalt.

Lambi süütamiseks tõmmake lüliti päästikut. Lamp põleb sel ajal, kui tõmmatakse lüliti päästikut. Lamp kustub umbes 10 sekundit pärast lüliti päästiku vabastamist.

**⚠️ETTEVAATUST:** Mudelile HR001G/HR002G

**Kui lamp pärast mõni sekundit kestnud vilkumist kustub, ei tööta aktiivne tagasidie tajumise tehnoloogia korralikult. Pöörduge parandamiseks kohaliku Makita teeninduskeskusesse.**

**MÄRKUS:** Pühkige lamp kuiva lapiga puhtaks. Olge seda tehes ettevaatlik, et lambi läätse mitte kriimustada, sest muidu võib valgustus väheneda.

**MÄRKUS:** Kui tööriistale on paigaldatud tolmutõrkefunktsioon, süttib tööriista tule asemel tolmutõrkefunktsiooni tuli.

## Suunamuutmise lüliti töötamisviis

► **Joon.6:** 1. Suunamuutmise lüliti hoob

**⚠️ETTEVAATUST:** Enne töö alustamist kontrollige alati pöörlemise suunda.

**⚠️ETTEVAATUST:** Kasutage suunamuutmislülitit alles pärast tööriista täielikku seiskumist. Enne tööriista seiskumist suuna muutmise võib tööriista kahjustada.

**⚠️ETTEVAATUST:** Kui tööriista ei kasutata, peab suunamuutmislülitit hoob olema alati neutraalses asendis.

Sellel tööriistal on suunamuutmise lüliti, millega saab muuta pöörlemise suunda. Suruge suunamuutmislülitit hoob A-küljel alla – tööriist pöörleb päripäeva, vastupäeva pöörlemiseks suruge see alla B-küljel. Kui suunamuutmislülitit hoob on neutraalses asendis, siis lüliti päästikut tõmmata ei saa.



## SDS-plusi kiirvahetuspadruni vahetamine

### Mudelid HR002G/HR004G

SDS-plusi kiirvahetuspadruni saab lihtsasti vahetada kiirvahetatava puuripadruni vastu.

### SDS-plusi kiirvahetuspadruni eemaldamine




**⚠️ETTEVAATUST:** Enne SDS-plusi kiirvahetuspadruni eemaldamist eemaldage kindlasti alati puuriotsak.

Võtke SDS-plusi kiirvahetuspadruni vahetuskatte kinni ja keerake seda noole suunas, kuni vahetuskatel olev joon liigub sümboolilt  sümboolile . Tõmmake jõuga noole suunas.

► **Joon.7:** 1. SDS-plusi kiirvahetuspadrun

2. Vahetuskatte 3. Vahetuskatte joon

## Kiirvahetatava puuripadrundi paigaldamine


Kontrollige, et kiirvahetatava puuripadrundi joon osutaks sümbolile . Veenduge, et kiirvahetataval puuripadrundil olev joon näitaks sümbolile . Pange kiirvahetatav puuripadrund tööriista völliile. Võtke kinni kiirvahetatava puuripadrundi vahetuskatte ja keerake vahetuskatte joon sümbolile , kuni kõlab selgesti kuuldav klõpsatus. ► **Joon.8:** 1. Kiirvahetatav puuripadrund 2. Völli 3. Vahetuskatte joon 4. Vahetuskatte

### Töörežiimi valimine

**TÄHELEPANU:** Ärge pöörake töörežiimi muutmise nuppu siis, kui tööriist töötab. Selle juhise eiramisel kaasneks tööriista kahjustumine.


**TÄHELEPANU:** Režiimimuutmise mehhanismi kiire kulumise vältimiseks veenduge, et töörežiimi muutmise nupp oleks alati nõuetekohaselt ühes kolmest töörežiimi asendist.

## Pöörlemine koos haamrifunktsiooniga

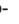
Betooni, müüritise või muu materjali puurimiseks keerake töörežiimi muutmise nupp sümboliga  tähistatud asendisse. Kasutage volframkarbiidkattega otsakut (valikuline lisatarvik).

► **Joon.9:** 1. Pöörlemine koos löökpuurimise funktsiooniga 2. Töörežiimi muutmise nupp

## Ainult pöörlemisfunktsioon

Puidu, metalli või plastmaterjalide puurimiseks keerake töörežiimi muutmise nupp sümboliga  tähistatud asendisse. Kasutage keerdpuuri või puidupuuri otsakut. ► **Joon.10:** 1. Ainult pöörlemisfunktsioon

## Ainult haamrifunktsioon

Täksimiseks, pealiskihi eemaldamiseks või lammutustöödeks keerake töörežiimi muutmise nupp sümboliga  tähistatud asendisse. Kasutage piiktera, külmeisliit, pealiskihi meisliit vms.

► **Joon.11:** 1. Ainult löökpuurimise funktsioon

### Konks

**⚠ETTEVAATUST:** Tööriista konksu abil riputamisel eemaldage alati aku.

**⚠ETTEVAATUST:** Ärge kunagi riputage tööriista kõrgesse kohta ega ebakindlale pinnale.

Konksu abil saate mugavalt tööriista ajutiselt üles riputada.

Konksu kasutamiseks lükake seda üles, kuni see klõpsatab avatud asendisse. Kui konks pole kasutusel, lükake see alati alla, et see klõpsataks kinnisesse asendisse.

► **Joon.12:** 1. Konks

► **Joon.13**

## Kinnitusrihma (kinnitusosaga) ühendamine konksuga

**⚠ETTEVAATUST:** Ärge kasutage kahjustatud konksu ega kruve. Enne kasutamist kontrollige alati kahjustusi, pragusid või deformatsioone ja veenduge, et kruvid oleks pingutatud.

**⚠ETTEVAATUST:** Veenduge, et konks oleks kruvidega kindlalt kinnitatud.

**⚠ETTEVAATUST:** Ärge eemaldage tööriista riputamisel akukasetti. Tööriist võib maha kukkuda, kui kruvid ei ole kinni.

**⚠ETTEVAATUST:** Kasutage alati kinnituskarabiini (mitmeotstarbelist ja keermega) ja veenduge, et kinnitusrihm (kinnitusosaga) kinnitatakse konksu kahekordse ahelaga osa külge. Ebaõige kinnitamise tagajärjel võib tööriist konksu küljest maha kukkuda ja tekitada vigastusi.

Konksu kasutatakse ka kinnitusrihma (kinnitusosaga) ühendamiseks. Veenduge, et ühendaksite kinnitusrihma (kinnitusosaga) konksu kahekordse silmusega osa külge.

► **Joon.14:** 1. Konksu kahekordse silmusega osa 2. Kinnitusrihm (kinnitusosaga) 3. Kinnituskarabiin (mitmeotstarbeline ja keermega)

## Tolmukogumissüsteemi otsaku asendi reguleerimine

### Lisatarvik

Lükake juhikut sisse, lükates samal ajal juhiku reguleerimisnuppu üles, seejärel laske nupp õiges kohas lahti.

► **Joon.15:** 1. Juhik 2. Juhiku reguleerimisnupp

**MÄRKUS:** Enne otsaku asendi reguleerimist vabastage otsak täielikult edasisuunas, lükates juhiku reguleerimisnuppu üles.

Kui paigaldatud on pikk puuriotsak, pikendage juhikut, lükates pikendamise nuppu üles.

► **Joon.16:** 1. Pikendamise nupp

## Tolmukogumissüsteemi puurimissügavuse reguleerimine

### Lisatarvik

Lükake sügavuse reguleerimisnupp soovitud asendisse, seda samal ajal üles lükates. Kaugus (A) on puurimissügavus.

► **Joon.17:** 1. Sügavuse reguleerimisnupp

### Kaitsesidur

**TÄHELEPANU:** Kui kaitsesidur rakendub, lülitage tööriist kohe välja. See aitab vältida tööriista enneaegset kulumist.

**TÄHELEPANU:** Puuriotsakud (näiteks rõngaspuur), mis võivad pitsuda või avas hõlpsasti kinni jääda, ei ole selle tööriista jaoks sobivad. Sellised otsakud põhjustavad kaitsesiduri liiga sagedast rakendumist.

Kaitsesidur rakendub teatava pöördemomendi taseme saavutamisel. Mootor lahutatakse väljundvõllist. Sellisel juhul puuriotsaku pöörlemine seiskub.

## Elektrooniline funktsioon

Tööriist on varustatud lihtsama kasutamise jaoks elektrooniliste funktsioonidega.

- Püsikiiruse juhtimine  
Kiiruse juhtimise funktsioon tagab koormusest olenemata püsiva pöörlemiskiiruse.
- Aktiivne tagasiside tajumise tehnoloogia (mudelile HR001G/HR002G)  
Kui tööriist liigub töötamise ajal eel määratud kiirenduse juures, peatatakse mootor jõuga, et vähendada randmele koormust.

**MÄRKUS:** See funktsioon ei tööta, kui kiirendus ei jõua tööriista liikumise ajal eel määratud kiirenduseni.

**MÄRKUS:** Kui tööriist liigub meiseldamise, pealiskihi eemaldamise või lammutustööde ajal eel määratud kiirenduse juures, peatatakse mootor jõuga, et vähendada randmele koormust. Sel juhul vabastage lüliti päästik ja vajutage tööriista taaskäivitamiseks lüliti päästikule.

## KOKKUPANEK

**⚠ ETTEVAATUST:** Kandke alati hoolt selle eest, et tööriist oleks enne igasuguseid hooldustöid välja lülitatud ja akukasett eemaldatud.

## Külgekäepide (abipide)

**⚠ ETTEVAATUST:** Tööohutuse tagamiseks kasutage alati külgekäepidet.

**⚠ ETTEVAATUST:** Kontrollige alati pärast külgekäepide paigaldamist või reguleerimist, kas külgekäepide on korralikult fikseeritud.

Külgekäepide eemaldamiseks tegutsege järgmiselt.

1. Lõdvendage käsikruvi külgekäepidemel.  
► **Joon.18:** 1. Käsikruvi
2. Kinnitage külgekäepide, surudes käsikruvi nii, et käepidemepoolsed sooned sobituksid tööriista trumli väljaulatavate osadega.  
► **Joon.19:** 1. Käsikruvi
3. Pingutage käepide fikseerimiseks käsikruvi. Käepide saab fikseerida soovitud nurga all.

## Määrimine

Katke puuri varrepoolne osa vähese määrideõli kogusega (ligikaudu 0,5–1 g).  
Padruni määrimine aitab tagada sujuvat talitlust ja pikendab kasutusiga.

## Puuri paigaldamine või eemaldamine

Puhastage puuri varrepoolne osa ja kandke enne puuri paigaldamist sellele määrideõli.

► **Joon.20:** 1. Varrepoolne ots 2. Määrimine

Sisestage puur tööriista. Keerake puuri ja suruge seda sisse, kuni see fikseerub.

Pärast puuri paigaldamist püüdke seda alati välja tõmmata, et kontrollida, kas puur on korralikult oma kohale fikseeritud.

► **Joon.21:** 1. Puur

Puuri eemaldamiseks tõmmake padruni kate lõpuni alla ja tõmmake puur välja.

► **Joon.22:** 1. Puur 2. Padruni kate

## Meisli kaldenurk (täksimisel, pealiskihi eemaldamisel või lammutustöödel)

Meisli saab fikseerida soovitud nurga alla. Keerake meisli kaldenurga muutmiseks töörežiimi muutmise nupp sümboliga O tähistatud asendisse. Keerake meisel soovitud nurga alla.

► **Joon.23:** 1. Töörežiimi muutmise nupp

Keerake töörežiimi muutmise nupp sümboliga T tähistatud asendisse. Seejärel kontrollige, kas meisel on korralikult oma kohale fikseeritud, keerates seda veidi.

## Sügavuse piiraja

Sügavuse piiraja on mugav abivahend ühesuguse sügavusega aukude puurimiseks.

Vajutage ja hoidke lukustusnuppu ja sisestage sügavuse piiraja seejärel kuusnurksesse auku. Veenduge, et sügavuse piiraja hammastega külg jääks märgistuse poole.

► **Joon.24:** 1. Sügavuse piiraja 2. Lukustusnupp 3. Märgistus 4. Hammastega külg

Reguleerige sügavuse piirajat, nihutades seda tagasi ja edasi ning vajutades samal ajal lukustusnuppu. Pärast reguleerimist vabastage lukustusnupp, et fikseerida sügavuse piiraja.

**MÄRKUS:** Veenduge, et sügavuse piiraja ei puudutaks tööriista kinnitamise ajal selle põhiosa.

## Tolmukogumissüsteemi paigaldamine või eemaldamine

### Lisatarvik

Tolmukogumissüsteemi paigaldamiseks sisestage tööriist tervenisti tolmukogumissüsteemi, kuni see kerge topelklõpsatusega paika kinnitub.

► **Joon.25**

Tolmukogumissüsteemi eemaldamiseks vajutage alla lukust avamise nupp ja tõmmake samal ajal tööriista.

► **Joon.26:** 1. Lukust avamise nupp



## Tolmutops

### Lisatarvik

Ülespoole suunatud puurimisel kasutage tolmutopsi, et vältida tolmu langemist tööriistale ja kasutajale. Kinnitage tolmutops joonisel näidatud viisil otsaku külge. Tolmutopsi saab kinnitada järgmise suurusega otsakutele.

Mudel	Puuri läbimõõt
Tolmutops 5	6 mm - 14,5 mm
Tolmutops 9	12 mm - 16 mm

► **Joon.27:** 1. Tolmutops

## Tolmutopsi komplekt

### Lisatarvik

Enne tolmutopsi komplekti paigaldamist eemaldage tööriista küljest otsak. Paigaldage tolmutopsi komplekt tööriista külge nii, et tolmutopsil olev sümbol  $\triangle$  oleks joondatud tööriistal oleva soonega.

► **Joon.28:** 1. Sümbol  $\triangle$  2. Soon

**MÄRKUS:** Kui ühendate tolmuimeja tolmutopsi komplektiga, eemaldage enne selle ühendamist tolmutork.

► **Joon.29:** 1. Tolmutork

Tolmutopsi komplekti eemaldamiseks eemaldage puuriotsak, tõmmates samal ajal padrunikatet noole suunas.

► **Joon.30:** 1. Otsak 2. Padruni kate

Hoidke tolmutopsi põhjast ja tõmmake see välja.

► **Joon.31**

**MÄRKUS:** Kui kork tuleb tolmutopsi küljest lahti, kinnitage see, trükitud pool ülespoole suunatud, nii et korgil olev soon sobituks lisaseadme keskosa sisse.

► **Joon.32**

## TÖÖRIISTA KASUTAMINE

**⚠ETTEVAATUST:** Kasutage alati külgkäepidet (abikäepide) ning hoidke tööriista töö ajal kindlalt nii külgkäepidemest kui ka lülitiga käepidemest.

**⚠ETTEVAATUST:** Kontrollige alati enne kasutamist, kas töödeldav detail on nõuetekohaselt fikseeritud.

**⚠ETTEVAATUST:** Ärge tõmmake tööriista välja jõuga, isegi kui otsak on kinni kiilunud. Kontrolli kadumine võib põhjustada vigastuse.

**⚠ETTEVAATUST:** Tolmukogumissüsteem on mõeldud ainult betooni puurimiseks. Ärge kasutage tolmukogumissüsteemi metalli või puitu puurides.

**⚠ETTEVAATUST:** Tööriista kasutamisel koos tolmukogumissüsteemiga kinnitage tolmukogumissüsteemi külge kindlasti filter, et vältida tolmu sissehingamist.

**⚠ETTEVAATUST:** Enne tolmukogumissüsteemi kasutamist kontrollige, et filter ei oleks kahjustatud. Kui te seda ei tee, võite tolmu sisse hingata.

**⚠ETTEVAATUST:** Tolmukogumissüsteem kogub tekkivat tolmu kiiresti, kuid ei suuda siiski kõrvaldada kogu tolmu.

**TÄHELEPANU:** Ärge kasutage tolmukogumissüsteemi sädamikpuurimiseks ega meiseldamiseks.


**TÄHELEPANU:** Ärge kasutage tolmukogumissüsteemi märja betooni puurimisel ega märjas keskkonnas. Vastasel juhul võib süsteem saada kahjustada.

**MÄRKUS:** Kui akukassett on madalal temperatuuril, ei pruugi tööriist saavutada täielikku töövoimsust. Sel juhul soojendage akukassetti koormamata tööriista kasutades mõne aja vältel, et saavutada tööriista täielik töövoime.

► **Joon.33**

## Löökpuurimise režiim

**⚠ETTEVAATUST:** Materjali läbitamisel rakendub tööriistale/puuriotsakule väga suur ja järsk väändejõud, kui auk ummistub laastude ja osakestega või kui tabatakse betooni sarrust. **Kasutage alati külgkäepidet (abikäepide) ning hoidke tööriista töö ajal kindlalt nii külgkäepidemest kui ka lülitiga käepidemest.** Muidu võib tagajärjeks olla kontrolli kaotamine tööriista üle ja raske kehavigastus.

Keerake töörežiimi muutmise nupp sümboliga  tähisatud asendisse.


Pange puuriotsak augu puurimiseks soovitud asukohta ja tõmmake seejärel lüliti päästikut. Ärge rakendage tööriista kasutamisel jõudu. Parimad tulemused annab kerge surve rakendamine. Hoidke tööriista õiges asendis ja vältige selle august väljalibisemist.

Ärge rakendage lisasurvet, kui laastud või osakesed ummistavad augu. Käitage selle asemel tööriista tühikäigul ja eemaldage seejärel puuriotsak osaliselt august. Selle toimingu kordamine aitab auku tühjendada, et saaksite jätkata tavapärase puurimisega.

**MÄRKUS:** Tööriista koormuseta kasutamisel võib puuriotsak pöörelda eksentriliselt. Tööriist tsentreebub käitamisel automaatselt. See ei mõjuta puurimise täpsust.



## Täksimine / pealiskihi eemaldamine / lammutustööd

Seadke töörežiimi muutmise nupp sümboliga  tähis-  
tatud asendisse.

Hoidke tööriistast kindlalt mõlema käega kinni. Lülitage tööriist sisse ja rakendage tööriistale kergest survet, et tööriist ei liiguks kontrollimatult.

Tööriistale tugeva surve avaldamine ei suurenda efektiivsust.

► Joon.34

## Puidu või metalli puurimine

**⚠ETTEVAATUST:** Hoidke tööriista kindlalt ning olge tähelepanelik, kui puuriotsak hakkab puuritava materjalist läbi tungima. Materjali läbistamisel rakendub tööriistale/puuriotsakule väga suur jõud.

**⚠ETTEVAATUST:** Kinnikiilunud puuriotsaku saab lihtsalt vabastada, kui muudate puuri pöörlemissuuna vastupidiseks. Kui tööriista ei hoita kindlalt, võib see ootamatult tagasi viskuda.

**⚠ETTEVAATUST:** Kinnitage töödeldavad esemed alati kruustangide või mõne sarnase kinnitusvahendiga.

**TÄHELEPANU:** Ärge kunagi kasutage pöörlemisfunktsiooni koos haamrifunktsiooniga, kui tööriistale on paigaldatud puuripadrun. Selle juhise eiramisel kaasnaks puuripadruni kahjustumine. Samuti tuleks tööriista pöörlemisel puuripadrun tööriista küljest lahti.

**TÄHELEPANU:** Liiga suur surve seadmele ei kiirenda puurimist. Liigne surve hoopis kahjustab puuriotsaku tippu, vähendab seadme efektiivsust ja lühendab seadme tööiga.

Seadke töörežiimi muutmise nupp sümbolile .

## Mudelid HR001G/HR003G

### Lisatarvik

Kinnitage padruniadapter võtmeta puuripadruni külge, millele saab paigaldada kruvi suurusega 1/2"-20, seejärel paigaldage need tööriistale. Paigaldamise kohta vadake teavet jaotises „Puuri paigaldamine või eemaldamine”.

► Joon.35: 1. Võtmeta puuripadrun 2. Padruniadapter

## Mudelid HR002G/HR004G

Kasutage kiirvahetatavat puuripadrunit standardvarustusena. Selle paigaldamisel juhinduge jaotisest „SDS-plusi kiirvahetuspadruni vahetamine”.


Hoidke rõngast kinni ja keerake hülssi padruni pakkide avamiseks vastupäeva. Paigaldage puuriotsak võimalikult sügavale padrunisse. Hoidke rõngast kindlalt kinni ja pingutamiseks keerake hülssi päripäeva.

► Joon.36: 1. Hülss 2. Rõngas

Puuriotsaku eemaldamiseks hoidke rõngast kinni ja keerake hülssi vastupäeva.

## Teemant-südamikupuuri kasutamine

**TÄHELEPANU:** Kui kasutate teemant-südamikupuuri pöörlemisfunktsiooni koos haamrifunktsiooniga, võib teemant-südamikupuuri otsak kahjustuda.

Teemant-südamikupuuriga töötamisel seadke pöörlemisfunktsiooni kasutamiseks töörežiimi muutmise nupp alati asendisse .

## Filtrilt tolmu kloppimine

### Lisatarvik

**⚠ETTEVAATUST:** Ärge keerake tolmkarbil olevat nuppu sel ajal, kui tolmkarpi eemaldatakse tolmutakumissüsteemi küljest. Kui te seda teete, võite tolmu sisse hingata.

**⚠ETTEVAATUST:** Lülitage seade alati välja, enne kui tolmkarbil olevat nuppu keerate. Töötaval seadmel nupu keeramine võib kaasa tuua seadme üle kontrolli kaotamise.

Filtrilt tolmkarpi tolmu kloppides saate imeda tolmu tõhusalt ja vähendada tolmu äraviskamise kordi. Pöörake tolmkarbil olevat regulaatorit kolm korda iga kord, kui olete kogunud 50 000 mm<sup>3</sup> tolmu või kui tunnete, et tolmuimeja võimsus väheneb.

**MÄRKUS:** 50 000 mm<sup>3</sup> tolmu võrdub ø10 mm ja 65 mm 10 augu puurimisega sügavusele (14 auku sügavusega ø3/8" ja 2").

► Joon.37: 1. Tolmkarp 2. Valikuketas

## Tolmu eemaldamine

### Lisatarvik

**⚠ETTEVAATUST:** Kandke alati hoolt selle eest, et tööriist oleks enne igasuguseid hooldustöid välja lülitatud ja akukassett eemaldatud.

**⚠ETTEVAATUST:** Tolmu eemaldamise ajal kandke kindlasti tolmutakumaski.

**⚠ETTEVAATUST:** Tühjendage tolmkarpi regulaarselt, enne kui tolmkarp saab täis. Kui te seda ei tee, võib süsteemi tolmutakumismõime halveneda, mis omakorda toob kaasa tolmu sissehingamise.

**⚠ETTEVAATUST:** Tolmutakumismõime väheneb, kui tolmkarbis olev filter ummistub. Filtrit tuleb vahetada ligikaudu iga 200 tolmutaga täitumise järel. Kui te seda ei tee, võite tolmu sisse hingata.

1. Eemaldage tolmkarp, vajutades samal ajal alla tolmkarbi hooba.

► Joon.38: 1. Hoob

2. Avage tolmkarbi kate.

► Joon.39: 1. Kate

3. Kõrvaldage tolmu puhastage filter.

► Joon.40

**TÄHELEPANU:** Filtri puhastamisel koputage tolmu eemaldamiseks õrnalt käega filtrikarbile. Ärge koputage otse filtrile, ärge puudutage seda harja või muu sarnasega ega puhuge sellesse suruõhku. See võib filtrit kahjustada.

## Läbipõlenud pirn

### Lisatarvik

Kui auk on valmis puuritud, kasutage läbipõlenud pirni, et auku tolmust puhastada.

► Joon.41

## Tolmutopsi komplekti kasutamine

### Lisatarvik

Seadke tolmutopsi komplekt tööriista kasutamise ajaks vastu lage.

► Joon.42

**TÄHELEPANU:** Ärge kasutage tolmutopsi komplekti metalli või muu sarnase materjali puurimisel. See võib peene metalltolmu või muu sarnase poolt tekitatud kuumuse mõjul tolmutopsi komplekti kahjustada.

**TÄHELEPANU:** Ärge paigaldage ega eemaldage tolmutopsi komplekti sel ajal, kui puur on tööriista küljes. See võib kahjustada tolmutopsi komplekti ja põhjustada tolmu lekkimist.

## Kinnitusrihma (kinnitusosaga) ühendamine konksuga

**⚠Spetsiaalsed ohutusjuhised kõrguses kasutamiseks**

Lugege kõik ohutushoiatused ja juhtnõõrid läbi. Hoiatuste ja juhtnõõride eiramine võib lõppeda tõsise kehavigastusega.

1. Kõrgustes töötamise ajal hoidke tööriista kinnitusrihma abil kinni. Kinnitusrihma maksimaalne pikkus on 2 m. Kinnitusrihma (kinnitusosaga) maksimaalne lubatud kukkumiskõrgus ei tohi ületada 2 m.
2. Kasutage ainult tööriista tüübile sobivat kinnitusrihma, mis on mõeldud vähemalt 8,0 kg jaoks.
3. Ärge kinnitage tööriista kinnitusrihma oma keha ega liikuvate osade külge. Kinnitage tööriista kinnitusrihm jäiga konstruktsiooni külge, mis peab vastu kukkuvat tööriista jõududele.
4. Enne kasutamist veenduge, et kinnitusrihm oleks mõlemast otsast kindlalt kinnitatud.
5. Enne iga kasutamist kontrollige tööriista ja kinnitusrihma, et poleks kahjustusi ja kõik toimiks nõuetekohaselt (sh riie ja õmblused). Ärge kasutage, kui need on kahjustatud ega tööta korralikult.
6. Ärge siduge kinnitusrihma ümber teravate või töötlemata servadega esemetega ega laske neil kokku puutuda.

7. Kinnitage kinnitusrihma teine ots väljaspool tööpiirkonda nii, et kukkuv tööriist jääks rihma külge rippuma.
8. Kinnitage kinnitusrihm nii, et kukkuv tööriist liiguks kasutajast eemale. Maha kukkunud tööriistad jäävad kinnitusrihma külge otssuma ja see võib põhjustada vigastusi või tasakaalu kadu.
9. Ärge kasutage liikuvate osade ega töötavate masinate lähedal. Muidu võib tekkida kokkupõrke- või takerdumisoht.
10. Ärge hoidke tööriista kandes kinni lisaseadistest ega kinnitusrihmast.
11. Kandke tööriista oma käte vahel ainult siis, kui olete korralikult tasakaalustatud.
12. Ärge ühendage tööriista kinnitusrihmaga viisil, kus lülitid või päästikulukk (kui see on olemas) ei saa korralikult töötada.
13. Vältige kinnitusrihma sisse takerdumist.
14. Hoidke kinnitusrihm tööriista puurimispiirkonnast eemal.
15. Kasutage kinnituskarabiini (mitmeotstarbelist ja keermega). Ärge kasutage ühetoimelisi vabakäiguga karabiine.
16. Kui tööriist kukub maha, tuleb see märgistada ja kasutusest kõrvaldada ning seda peaks laskma kontrollida kas Makita tehases või volitatud hoolduskeskuses.

## JUHTMETA AKTIVEERIMISE FUNKTSIOON

Lisatarvik mudelile HR001G/HR002G

### Mida võimaldab juhtmeta aktiveerimise funktsioon

Juhtmeta aktiveerimise funktsioon võimaldab puhast ja mugavat töötamist. Ühendades toetatud tolmuimeja tööriistaga, saate käivitada tolmuimeja automaatselt koos tööriista lüliti toimimisega.

► Joon.43

Juhtmeta aktiveerimise funktsiooni kasutamiseks valmistage ette alljärgnev:

- juhtmeta seade (valikuline tarvik);
- tolmuimeja, mis toetab juhtmeta aktiveerimise funktsiooni.

Alljärgnevalt on toodud juhtmeta aktiveerimise funktsiooni seadistamise ülevaade. Üksikasjalikuma teabe saamiseks vaadake konkreetseid jaotisi.

1. Juhtmeta seadme paigaldamine
2. Tööriista registreerimine tolmuimeja jaoks
3. Juhtmeta aktiveerimise funktsiooni käivitamine

## Juhtmeta seadme paigaldamine

### Valikuline tarvik

**⚠ETTEVAATUST:** Juhtmeta seadme paigaldamisel asetage tööriist tasasele ja kindlale pinnale.

**TÄHELEPANU:** Enne juhtmeta seadme paigaldamist puhastage tööriist tolmust ja mustusest. Kui tolm ja mustus satuvad juhtmeta seadme pesa, siis võib esineda talitushäireid.

**TÄHELEPANU:** Staatika põhjustatud talitushäirete vältimiseks puudutage enne juhtmeta seadme ülestõstmist staatikat eemaldavat materjali, näiteks tööriista metallist osa.

**TÄHELEPANU:** Juhtmeta seadme paigaldamisel veenduge alati, et juhtmeta seade oleks sisestatud õiges suunas ja kaas oleks korralikult suletud.

1. Avage tööriista kaas joonisel näidatud viisil.

▶ **Joon.44:** 1. Kaas

2. Sisestage juhtmeta seade pesasse ja sulgege kaas.

Juhtmeta seadme sisestamisel joondate väljaulatuvad osad pesa sündvatud osadega.

▶ **Joon.45:** 1. Juhtmeta seade 2. Väljaulatuv osa 3. Kaas 4. Süvendatud osa

Juhtmeta seadme eemaldamisel avage kaas aeglaselt. Kaane tagaküljel asuvad konksud tõstavad juhtmeta seadme koos kaanega välja.

▶ **Joon.46:** 1. Juhtmeta seade 2. Konks 3. Kaas

Pärast eemaldamist hoidke juhtmeta seadet komplekti kuuluvat karbis või staatikavabas konteineris.

**TÄHELEPANU:** Juhtmeta seadme eemaldamisel kasutage alati kaane tagaküljel asuvaid konkse. Kui konksud ei haaku juhtmeta seadmega, sulgege kaas täielikult ja avage aeglaselt uuesti.

## Tööriista registreerimine tolmuimeja jaoks

**MÄRKUS:** Registreerimiseks on vajalik Makita tolmuimeja, mis toetaks juhtmeta aktiveerimise funktsiooni.

**MÄRKUS:** Enne tööriista registreerimist tuleb juhtmeta seade tööriista paigaldada.

**MÄRKUS:** Tööriista registreerimise ajal ärge tõmmake lüliti päästikut ega lülitage tolmuimeja toitelüliti sisse.

**MÄRKUS:** Vt ka tolmuimeja kasutusjuhendit.

Kui te soovite tolmuimeja koos tööriista lüliti toimimisega aktiveerida, siis peate kõigepealt lõpetama tööriista registreerimise.

1. Paigaldage patareid nii tolmuimejasse kui ka tööriista.

2. Seadke tolmuimeja ooterežiimi lüliti asendisse „AUTO“.

▶ **Joon.47:** 1. Ooterežiimi lüliti

3. Vajutage tolmuimejal juhtmeta aktiveerimise nuppu ja hoidke seda 3 sekundit all, kuni juhtmeta aktiveerimise tuli hakkab roheliselt vilkuma. Seejärel vajutage samamoodi tööriista juhtmeta aktiveerimise nuppu.

▶ **Joon.48:** 1. Juhtmeta aktiveerimise nupp 2. Juhtmeta aktiveerimise tuli

Kui tolmuimeja ja tööriist on edukalt seotud, siis juhtmeta aktiveerimise tuled süttivad 2 sekundiks roheliselt ja hakkavad seejärel siniselt vilkuma.

**MÄRKUS:** Juhtmeta aktiveerimise lambid lõpetavad roheliselt vilkumise 20 sekundi pärast. Vajutage juhtmeta aktiveerimise nuppu tööriistal, kui puhastajal vilgub juhtmeta aktiveerimise tuli. Kui juhtmeta aktiveerimise tuli ei vilgu roheliselt, siis vajutage korraks juhtmeta aktiveerimise nuppu ja hoidke seda uuesti all.

**MÄRKUS:** Sidudes kahte või enamat tööriista ühe tolmuimejaga, lõpetage tööriistade registreerimine üksshaaval.

## Juhtmeta aktiveerimise funktsiooni käivitamine

**MÄRKUS:** Enne juhtmeta aktiveerimist tuleb lõpetada tööriista tolmuimejaga sidumine.

**MÄRKUS:** Vt ka tolmuimeja kasutusjuhendit.

Pärast tööriista sidumist tolmuimejaga, käivitus tolmuimeja automaatselt tööriista lülite abil.

1. Paigaldage juhtmeta seade tööriista sisse.

2. Ühendage tolmuimeja voolik tööriistaga.

▶ **Joon.49**

3. Seadke tolmuimeja ooterežiimi lüliti asendisse „AUTO“.

▶ **Joon.50:** 1. Ooterežiimi lüliti

4. Vajutage korraks tööriistal olevat juhtmeta aktiveerimise nuppu. Juhtmeta aktiveerimise tuli vilgub siniselt.

▶ **Joon.51:** 1. Juhtmeta aktiveerimise nupp

2. Juhtmeta aktiveerimise tuli

5. Tõmmake tööriista lüliti päästikut. Kontrollige, kas tolmuimeja lüliti päästik töötab tõmbamise ajal.

Tolmuimeja juhtmeta aktiveerimise peatamiseks vajutage tööriista juhtmeta aktiveerimise nuppu.

**MÄRKUS:** Tööriista juhtmeta aktiveerimise tuli lõpetab siniselt vilkumise, kui 2 tunni jooksul ei tehta ühtegi toimingut. Sellisel juhul seadke tolmuimeja ooterežiimi lüliti asendisse „AUTO“ ja vajutage tööriistal uuesti juhtmeta aktiveerimise nuppu.

**MÄRKUS:** Tolmuimeja alustab/peatub viivitusega. Kui tolmuimeja tuvastab tööriista lüliti toimimise, esineb viivitus.






**MÄRKUS:** Juhtmeta seadme edastamise kaugus võib olenevalt asukohast ja ümbritsevatest oludest erineda.

**MÄRKUS:** Kui kaks või enam tööriista seotakse ühe tolmuimejaga, siis võib tolmuimeja hakata tööle isegi siis, kui te pole lüliti päästikut tõmmanud, sest juhtmeta aktiveerimise funktsiooni kasutab mõni teine kasutaja.

## Juhtmeta aktiveerimise tule oleku kirjeldus

### ► Joon.52: 1. Juhtmeta aktiveerimise tuli

Juhtmeta aktiveerimise tuli näitab juhtmeta aktiveerimise funktsiooni olekut. Tule oleku tähendust näete allolevast tabelist.

Olek	Juhtmeta aktiveerimise tuli				Kirjeldus
	Värv	 Põleb	 Vilgub	Kestus	
Ooteaeg	Sinine			2 tundi	Tolmuimeja juhtmeta aktiveerimine on saadaval. Tuli lülitub automaatselt välja, kui 2 tunni jooksul ei tehta ühtegi toimingut.
				Kui tööriist on käivitatud.	Tolmuimeja juhtmeta aktiveerimine on saadaval ja tööriist on käivitatud.
Tööriista registreerimine	Roheline			20 sekundit	Valmis tööriista registreerimiseks. Tolmuimeja poolse registreerimise ootamine.
				2 sekundit	Tööriista registreerimine on lõpetatud. Juhtmeta aktiveerimise tuli hakkab siniselt vilkuma.
Tööriista registreerimise tühistamine	Punane			20 sekundit	Valmis tööriista registreerimise tühistamiseks. Tolmuimeja poolse tühistamise ootamine.
				2 sekundit	Tööriista registreerimise tühistamine on lõpetatud. Juhtmeta aktiveerimise tuli hakkab siniselt vilkuma.
Muu	Punane			3 sekundit	Juhtmeta seade on ühendatud toitega ja juhtmeta aktiveerimise funktsioon käivitub.
	Väljas	-		-	Tolmuimeja juhtmeta aktiveerimine on peatatud.

## Tööriista registreerimise tühistamine tolmuimeja jaoks

Tööriista registreerimise tühistamiseks tolmuimeja jaoks tuleb toimida alljärgnevalt.

1. Paigaldage patareid nii tolmuimejasse kui ka tööriista.
2. Seadke tolmuimeja ooterežiimi lüliti asendisse „AUTO”.

### ► Joon.53: 1. Ooterežiimi lüliti

3. Vajutage tolmuimejal juhtmeta aktiveerimise nuppu ja hoidke seda 6 sekundit all. Juhtmeta aktiveerimise tuli vilgub roheliselt ja muutub seejärel punaseks. Seejärel vajutage samamoodi tööriista juhtmeta aktiveerimise nuppu.

- Joon.54: 1. Juhtmeta aktiveerimise nupp  
2. Juhtmeta aktiveerimise tuli

Kui tolmuimeja ja tööriist on edukalt lahutatud, siis juhtmeta aktiveerimise tuled süttivad 2 sekundiks punaselt ja seejärel hakkavad need siniselt vilkuma.

**MÄRKUS:** Juhtmeta aktiveerimise lambid lõpetavad punaselt vilkumise 20 sekundi pärast. Vajutage juhtmeta aktiveerimise nuppu tööriistal, kui puhastajal vilgub juhtmeta aktiveerimise tuli. Kui juhtmeta aktiveerimise tuli ei vilgu punaselt, siis vajutage korra juhtmeta aktiveerimise nuppu ja hoidke seda uuesti all.

## Juhtmeta aktiveerimise funktsiooni veatsing

Enne remonditöökotta pöördumist kontrollige niidukit ise. Ärge üritage niidukit lahti võtta, kui leiate probleemi, mida kasutusjuhendis ei kirjeldata. Selle asemel pöörduge Makita volitatud teeninduskeskusesse, kus kasutatakse remon-  
timisel alati Makita tagavaraosi.

Tõrge	Võimalik põhjus (riike)	Lahendus
Juhtmeta aktiveerimise tuli ei põle / ei vilgu.	Tööriista sisse ei ole juhtmeta seadet paigaldatud. Juhtmeta seade on tööriista sisse valesti paigaldatud.	Paigaldage juhtmeta seade õigesti.
	Juhtmeta seadme klemm ja/või pesa on määrduanud.	Pühkige juhtmeta seadme klemmiit ettevaatlikult tolm ja mustus ning puhastage pesa.
	Tööriistal olevat juhtmeta aktiveerimise nuppu ei ole vajutatud.	Vajutage korraks tööriistal olevat juhtmeta aktiveerimise nuppu.
	Tolmuimeja ooterežiimi lüliti ei ole seatud asendisse „AUTO“.	Seadke tolmuimeja ooterežiimi lüliti asendisse „AUTO“.
	Puudub toiteallikas	Varustage tööriist ja tolmuimeja toiteallikaga.
Tööriista registreerimist / tööriista registreerimise tühistamist ei õnnestunud edukalt lõpetada.	Tööriista sisse ei ole juhtmeta seadet paigaldatud. Juhtmeta seade on tööriista sisse valesti paigaldatud.	Paigaldage juhtmeta seade õigesti.
	Juhtmeta seadme klemm ja/või pesa on määrduanud.	Pühkige juhtmeta seadme klemmiit ettevaatlikult tolm ja mustus ning puhastage pesa.
	Tolmuimeja ooterežiimi lüliti ei ole seatud asendisse „AUTO“.	Seadke tolmuimeja ooterežiimi lüliti asendisse „AUTO“.
	Puudub toiteallikas	Varustage tööriist ja tolmuimeja toiteallikaga.
	Vale kasutamine	Vajutage korraks juhtmeta aktiveerimise nuppu ja tehke tööriista registreerimise/tühistamise toimingud uuesti.
	Tööriist ja tolmuimeja asuvad teineteisest liiga kaugel (on edastamise ulatusest väljas).	Viige tööriist ja tolmuimeja üksteisele lähemale. Maksimaalne ülekandekaugus on umbes 10 m, kuid see võib olenevalt asjaoludest varieeruda.
	Enne tööriista registreerimise/tühistamise lõpetamist; - tööriista lüliti päästik on tõmmatud või; - tolmuimeja toitenupp on sisse lülitatud.	Vajutage korraks juhtmeta aktiveerimise nuppu ja tehke tööriista registreerimise/tühistamise toimingud uuesti.
Tööriista või tolmuimeja sidumistoimingud on lõpetamata.	Tehke samal ajal nii tööriista kui ka tolmuimeja registreerimistoimingud.	
Teiste seadmete tekitatud raadiohäiring, mis tekitab väga intensiivseid raadiolaineid.	Hoidke tööriista ja tolmuimejat WiFi-seadmetest ja mikrolaineahjust eemal.	
Tolmuimeja ei tööta tööriista lüliti kaudu.	Tööriista sisse ei ole juhtmeta seadet paigaldatud. Juhtmeta seade on tööriista sisse valesti paigaldatud.	Paigaldage juhtmeta seade õigesti.
	Juhtmeta seadme klemm ja/või pesa on määrduanud.	Pühkige juhtmeta seadme klemmiit ettevaatlikult tolm ja mustus ning puhastage pesa.
	Tööriistal olevat juhtmeta aktiveerimise nuppu ei ole vajutatud.	Vajutage korraks juhtmeta aktiveerimise nuppu ja veenduge, et juhtmeta aktiveerimise tuli vilguks siniselt.
	Tolmuimeja ooterežiimi lüliti ei ole seatud asendisse „AUTO“.	Seadke tolmuimeja ooterežiimi lüliti asendisse „AUTO“.
	Tolmuimejaga on seatud üle 10 tööriista.	Tehke registreerimistoiming uuesti. Kui tolmuimejaga on seatud üle 10 tööriista, siis kõige esimesena registreeritud tööriista sidumine tühistatakse automaatselt.
	Tolmuimeja kustutas kõik registreeritud tööriistad.	Registreerige tööriist uuesti.
	Puudub toiteallikas	Varustage tööriist ja tolmuimeja toiteallikaga.
	Tööriist ja tolmuimeja asuvad teineteisest liiga kaugel (on edastamise ulatusest väljas).	Viige tööriist ja tolmuimeja üksteisele lähemale. Maksimaalne ülekandekaugus on umbes 10 m, kuid see võib olenevalt asjaoludest varieeruda.
Teiste seadmete tekitatud raadiohäiring, mis tekitab väga intensiivseid raadiolaineid.	Hoidke tööriista ja tolmuimejat WiFi-seadmetest ja mikrolaineahjust eemal.	
Tolmuimeja töötab ajal, kui tööriista lüliti päästik ei tõmmata.	Teised kasutajad kasutavad oma tööriistaga tolmuimeja juhtmeta aktiveerimist.	Lülitage teiste tööriistade juhtmeta aktiveerimise nupp välja või tühistage teiste tööriistade registreerimine.

# HOOLDUS

**⚠ETTEVAATUST:** Enne kontroll- või hooldustoimingute tegemist kandke alati hoolt selle eest, et tööriist oleks välja lülitatud ja akukassett korpuse küljest eemaldatud.

**TÄHELEPANU:** Ärge kunagi kasutage bensiini, vedelidit, alkoholi ega midagi muud sarnast. Selle tulemuseks võib olla luitumine, deformatsioon või pragunemine.

Toote OHUTUSE ja TÖÖKINDLUSE tagamiseks tuleb vajalikud remonttööd ning muud hooldus- ja reguleerimistööd lasta teha Makita volitatud teeninduskeskustes või tehase teeninduskeskustes. Alati tuleb kasutada Makita varuosi.

## Tolmukarbi filtri vahetamine

### Lisatarvik

1. Eemaldage tolmuarp, vajutades samal ajal alla tolmuarbi hooba.  
▶ **Joon.55:** 1. Hoob
2. Sisestage lamepeakruvikeeraja filtrikatte eemaldamiseks filtrikatte piludesse.  
▶ **Joon.56:** 1. Lamepeakruvikeeraja 2. Filtrikatte
3. Eemaldage filter filtrikarbist.  
▶ **Joon.57:** 1. Filter 2. Filtrikarp
4. Kinnitage uus filter filtrikatte külge, seejärel kinnitage filtrikatte.
5. Sulgege tolmuarbi kate ja kinnitage tolmuarp tolmu kogumissüsteemi külge.

## Tihenduskorgi vahetamine

### Lisatarvik

Kui tihenduskork on kulunud, väheneb tolmu kogumissüsteemi võime. Vahetage see välja, kui see on kulunud. Eemaldage tihenduskork ja kinnitage uus tihenduskork ülespoole suunatud eenduva osaga.  
▶ **Joon.58:** 1. Eenduv osa 2. Tihenduskork

# VALIKULISED TARVIKUD

**⚠ETTEVAATUST:** Neid tarvikuid ja lisaseadiseid on soovitatav kasutada koos Makita tööriistaga, mille kasutamist selles kasutusjuhendis kirjeldatakse. Muude tarvikute ja lisaseadiste kasutamisega kaasneb vigastada saamise oht. Kasutage tarvikuid ja lisaseadiseid ainult otstarbekohaselt.

Saate vajaduse korral kohalikust Makita teeninduskeskusest lisateavet nende tarvikute kohta.

- Karbiidist otsaga puuriotsakud (SDS-plusi karbiidist otsaga puuriotsakud)
- Südamikupuur
- Piiktera
- Teemant-südamikupuur

- Külmeisel
- Pealiskihi meisel
- Soonepeitel
- Padruniadapter
- Võtmeta puuripadrün
- Puurimääre
- Sügavuse piiraja
- Läbipõlenud pirn
- Tolmutops
- Tolmutopsi komplekt
- Konksookomplekt
- Tolmuarbi komplekt
- Puuripadrüni komplekt
- Filtrikomplekt
- Tööriista hoidikukomplekt
- Liigendite komplekt
- Tolmu kogumissüsteem
- Juhtmeta seade
- Makita algupärane aku ja laadija
- Kaitseprillid
- Plastkohver

**MÄRKUS:** Mõned nimekirjas loetletud tarvikud võivad kuuluda standardvarustusse ning need on lisatud tööriista pakendisse. Need võivad riigiti erineda.

## ТЕХНИЧЕСКИЕ ХАРАКТЕРИСТИКИ

Модель:		HR001G	HR002G	HR003G	HR004G
Диаметр	Бетон	28 мм			
	Колонковое долото	54 мм			
	Колонковое алмазное долото (для использования без промывки)	65 мм			
	Сталь	13 мм			
	Дерево	32 мм			
Число оборотов без нагрузки		0–980 мин <sup>-1</sup>			
Ударов в минуту		0–5 000 мин <sup>-1</sup>			
Номинальное напряжение		36 В – 40 В пост. тока макс.			
Общая длина	с BL4025	358 мм	389 мм	358 мм	389 мм
	с BL4040	373 мм	404 мм	373 мм	404 мм
Масса нетто		3,9–4,6 кг	4,1–4,6 кг	3,9–4,6 кг	4,0–4,5 кг

### Дополнительные принадлежности

Модель:	DX12 (для HR001G/HR003G)	DX14 (для HR002G/HR004G)
Производительность на всасывании	350 л/мин	
Рабочий ход	До 190 мм	
Подходящая головка сверла	До 260 мм	
Номинальное напряжение	36 В – 40 В пост. тока макс.	
Масса нетто	1,6 кг	

- Благодаря нашей постоянно действующей программе исследований и разработок указанные здесь технические характеристики могут быть изменены без предварительного уведомления.
- Технические характеристики могут различаться в зависимости от страны.
- Масса может отличаться в зависимости от дополнительного оборудования. Обратите внимание, что блок аккумулятора также считается дополнительным оборудованием. В таблице представлены комбинации с наибольшим и наименьшим весом в соответствии с процедурой ЕРТА 01/2014.

### Подходящий блок аккумулятора и зарядное устройство

Блок аккумулятора	BL4025 / BL4040
Зарядное устройство	DC40RA

- В зависимости от региона проживания некоторые блоки аккумуляторов и зарядные устройства, перечисленные выше, могут быть недоступны.

**⚠ ОСТОРОЖНО:** Используйте только перечисленные выше блоки аккумуляторов и зарядные устройства. Использование других блоков аккумуляторов и зарядных устройств может привести к травме и/или пожару.

### Назначение

Данный инструмент предназначен для ударного сверления и сверления кирпича, бетона и камня, а также для обработки зубилом. Он также подходит для безударного сверления дерева, металла, керамики и пластмассы.

### Шум

Типичный уровень взвешенного звукового давления (A), измеренный в соответствии с EN60745-2-6:

#### Модель HR001G

Уровень звукового давления ( $L_{pA}$ ): 95 дБ (A)  
 Уровень звуковой мощности ( $L_{WA}$ ): 106 дБ (A)  
 Погрешность (K): 3 дБ (A)

#### Модель HR002G

Уровень звукового давления ( $L_{pA}$ ): 93 дБ (A)  
 Уровень звуковой мощности ( $L_{WA}$ ): 104 дБ (A)  
 Погрешность (K): 3 дБ (A)



### Модель HR003G

Уровень звукового давления ( $L_{pA}$ ): 95 дБ (А)

Уровень звуковой мощности ( $L_{WA}$ ): 106 дБ (А)

Погрешность (К): 3 дБ (А)

### Модель HR004G

Уровень звукового давления ( $L_{pA}$ ): 93 дБ (А)

Уровень звуковой мощности ( $L_{WA}$ ): 104 дБ (А)

Погрешность (К): 3 дБ (А)

### Модель HR001G с DX12

Уровень звукового давления ( $L_{pA}$ ): 93 дБ(А)

Уровень звуковой мощности ( $L_{WA}$ ): 104 дБ(А)

Погрешность (К): 3 дБ(А)

### Модель HR002G с DX14

Уровень звукового давления ( $L_{pA}$ ): 93 дБ (А)

Уровень звуковой мощности ( $L_{WA}$ ): 104 дБ (А)

Погрешность (К): 3 дБ (А)

### Модель HR003G с DX12

Уровень звукового давления ( $L_{pA}$ ): 93 дБ (А)

Уровень звуковой мощности ( $L_{WA}$ ): 104 дБ (А)

Погрешность (К): 3 дБ (А)

### Модель HR004G с DX14

Уровень звукового давления ( $L_{pA}$ ): 93 дБ (А)

Уровень звуковой мощности ( $L_{WA}$ ): 104 дБ (А)

Погрешность (К): 3 дБ (А)

**ПРИМЕЧАНИЕ:** Заявленное значение распространения шума измерено в соответствии со стандартной методикой испытаний и может быть использовано для сравнения инструментов.

**ПРИМЕЧАНИЕ:** Заявленное значение распространения шума можно также использовать для предварительных оценок воздействия.

**⚠ ОСТОРОЖНО:** Используйте средства защиты слуха.

**⚠ ОСТОРОЖНО:** Распространение шума во время фактического использования электроинструмента может отличаться от заявленного значения в зависимости от способа применения инструмента и в особенности от типа обрабатываемой детали.

**⚠ ОСТОРОЖНО:** Обязательно определите меры безопасности для защиты оператора, основанные на оценке воздействия в реальных условиях использования (с учетом всех этапов рабочего цикла, таких как выключение инструмента, работа без нагрузки и включение).

## Вибрация

В таблице ниже приведено суммарное значение вибрации (сумма векторов по трем осям), определенное в соответствии с применимым стандартом.

### Модель HR001G

Рабочий режим	Распространение вибрации	Погрешность (К)	Применимый стандарт
Ударное сверление бетона ( $a_{h, HD}$ )	7,0 м/с <sup>2</sup>	1,5 м/с <sup>2</sup>	EN60745-2-6
Ударное сверление бетона с помощью DX12 ( $a_{h, HD}$ )	7,0 м/с <sup>2</sup>	1,5 м/с <sup>2</sup>	EN60745-2-6
Обработка зубилом с использованием боковой ручки ( $a_{h, Cheq}$ )	6,5 м/с <sup>2</sup>	1,5 м/с <sup>2</sup>	EN60745-2-6
Сверление металла ( $a_{h, D}$ )	2,5 м/с <sup>2</sup> или менее	1,5 м/с <sup>2</sup>	EN60745-2-1

### Модель HR002G

Рабочий режим	Распространение вибрации	Погрешность (К)	Применимый стандарт
Ударное сверление бетона ( $a_{h, HD}$ )	6,5 м/с <sup>2</sup>	1,5 м/с <sup>2</sup>	EN60745-2-6
Ударное сверление бетона с помощью DX14 ( $a_{h, HD}$ )	6,0 м/с <sup>2</sup>	1,5 м/с <sup>2</sup>	EN60745-2-6
Обработка зубилом с использованием боковой ручки ( $a_{h, Cheq}$ )	7,5 м/с <sup>2</sup>	1,5 м/с <sup>2</sup>	EN60745-2-6
Сверление металла ( $a_{h, D}$ )	2,5 м/с <sup>2</sup>	1,5 м/с <sup>2</sup>	EN60745-2-1

### Модель HR003G

Рабочий режим	Распространение вибрации	Погрешность (К)	Применимый стандарт
Ударное сверление бетона ( $a_{h, HD}$ )	7,0 м/с <sup>2</sup>	1,5 м/с <sup>2</sup>	EN60745-2-6
Ударное сверление бетона с помощью DX12 ( $a_{h, HD}$ )	7,0 м/с <sup>2</sup>	1,5 м/с <sup>2</sup>	EN60745-2-6
Обработка зубилом с использованием боковой ручки ( $a_{h, Cheq}$ )	7,0 м/с <sup>2</sup>	1,5 м/с <sup>2</sup>	EN60745-2-6
Сверление металла ( $a_{h, D}$ )	2,5 м/с <sup>2</sup> или менее	1,5 м/с <sup>2</sup>	EN60745-2-1

Рабочий режим	Распространение вибрации	Погрешность (К)	Применимый стандарт
Ударное сверление бетона ( $a_{h,HD}$ )	6,5 м/с <sup>2</sup>	1,5 м/с <sup>2</sup>	EN60745-2-6
Ударное сверление бетона с помощью DX14 ( $a_{h,HD}$ )	6,0 м/с <sup>2</sup>	1,5 м/с <sup>2</sup>	EN60745-2-6
Обработка зубилом с использованием боковой ручки ( $a_{h,Ched}$ )	7,5 м/с <sup>2</sup>	1,5 м/с <sup>2</sup>	EN60745-2-6
Сверление металла ( $a_{h,D}$ )	2,5 м/с <sup>2</sup>	1,5 м/с <sup>2</sup>	EN60745-2-1

**ПРИМЕЧАНИЕ:** Заявленное общее значение распространения вибрации измерено в соответствии со стандартной методикой испытаний и может быть использовано для сравнения инструментов.

**ПРИМЕЧАНИЕ:** Заявленное общее значение распространения вибрации можно также использовать для предварительных оценок воздействия.

**⚠ОСТОРОЖНО:** Распространение вибрации во время фактического использования электроинструмента может отличаться от заявленного значения в зависимости от способа применения инструмента и в особенности от типа обрабатываемой детали.

**⚠ОСТОРОЖНО:** Обязательно определите меры безопасности для защиты оператора, основанные на оценке воздействия в реальных условиях использования (с учетом всех этапов рабочего цикла, таких как выключение инструмента, работа без нагрузки и включение).

## Декларация о соответствии ЕС

*Только для европейских стран*

Декларация о соответствии ЕС включена в руководство по эксплуатации (Приложение А).

## МЕРЫ БЕЗОПАСНОСТИ

### Общие рекомендации по технике безопасности для электроинструментов

**⚠ОСТОРОЖНО:** Ознакомьтесь со всеми представленными инструкциями по технике безопасности, указаниями, иллюстрациями и техническими характеристиками, прилагаемыми к данному электроинструменту. Несоблюдение каких-либо инструкций, указанных ниже, может привести к поражению электрическим током, пожару и/или серьезной травме.

## Сохраните брошюру с инструкциями и рекомендациями для дальнейшего использования.

Термин "электроинструмент" в предупреждениях относится ко всему инструменту, работающему от сети (с проводом) или на аккумуляторах (без провода).

### ПРАВИЛА ТЕХНИКИ БЕЗОПАСНОСТИ ПРИ ОБРАЩЕНИИ С АККУМУЛЯТОРНЫМ ПЕРФОРАТОРОМ

1. **Обязательно используйте средства защиты слуха.** Воздействие шума может привести к потере слуха.
2. **Используйте дополнительную ручку (если входит в комплект инструмента).** Утрата контроля над инструментом может привести к травме.
3. **Если при выполнении работ существует риск контакта режущего инструмента со скрытой электропроводкой, держите электроинструмент за специально предназначенные изолированные поверхности.** Контакт с проводом под напряжением может стать причиной поражения оператора током.
4. **Надевайте защитную каску (защитный шлем), защитные очки и/или защитную маску для лица.** Обычные или солнцезащитные очки **НЕ ЯВЛЯЮТСЯ** защитными очками. Также настоятельно рекомендуется надевать противопылевой респиратор и перчатки с толстыми подкладками.
5. **Перед выполнением работ убедитесь в надежном креплении головки сверла.**
6. **При нормальной эксплуатации инструмента может вибрировать.** Винты могут раскрутиться, что приведет к поломке или несчастному случаю. **Перед эксплуатацией тщательно проверяйте затяжку винтов.**
7. **В холодную погоду, или если инструмент не использовался в течение длительного периода времени, дайте инструменту немного прогреться, включив его без нагрузки.** Это размягчит смазку. Без надлежащего прогрева ударное действие будет затруднено.
8. **При выполнении работ всегда занимайте устойчивое положение.** При использовании инструмента на высоте убедитесь в отсутствии людей внизу.
9. **Крепко держите инструмент обеими руками.**
10. **Руки должны находиться на расстоянии от движущихся деталей.**
11. **Не оставляйте работающий инструмент без присмотра.** Включайте инструмент только тогда, когда он находится в руках.
12. **При выполнении работ не направляйте инструмент на кого-либо, находящегося в месте выполнения работ.** Головка сверла может выскочить и травмировать других людей.

13. Сразу после окончания работ не прикасайтесь к обрабатываемой детали, головке сверла или к деталям в непосредственной близости от нее. Головка сверла может быть очень горячей и обжечь кожу.
  14. Некоторые материалы могут содержать токсичные химические вещества. Примите соответствующие меры предосторожности, чтобы избежать вдыхания или контакта с кожей таких веществ. Соблюдайте требования, указанные в паспорте безопасности материала.
  15. Прежде чем передать инструмент другому человеку, убедитесь, что он отключен, а блок аккумулятора извлечен.
  16. Перед началом работы убедитесь в том, что под поверхность рабочей зоны не проходят линии электроснабжения, водопроводы или газопроводы. В противном случае головка сверла / зубило могут коснуться этих предметов, что приведет к поражению электрическим током, утечке тока или газа.
5. Замыкание контактов аккумуляторного блока между собой может привести к возникновению большого тока, перегреву, возможным ожогам и даже поломке блока.
  6. Не храните инструмент и аккумуляторный блок в местах, где температура может достигать или превышать 50 °C (122 °F).
  7. Не бросайте аккумуляторный блок в огонь, даже если он сильно поврежден или полностью вышел из строя. Аккумуляторный блок может взорваться под действием огня.
  8. Запрещено вбивать гвозди в блок аккумулятора, резать, ломать, бросать, ронять блок аккумулятора или ударять его твердым предметом. Это может привести к пожару, перегреву или взрыву.
  9. Не используйте поврежденный аккумуляторный блок.
  10. Входящие в комплект литий-ионные аккумуляторы должны эксплуатироваться в соответствии с требованиями законодательства об опасных товарах.

## СОХРАНИТЕ ДАННЫЕ ИНСТРУКЦИИ.

**▲ОСТОРОЖНО:** НЕ ДОПУСКАЙТЕ, чтобы удобство или опыт эксплуатации данного устройства (полученный от многократного использования) доминировали над строгим соблюдением правил техники безопасности при обращении с этим устройством. **НЕПРАВИЛЬНОЕ ИСПОЛЬЗОВАНИЕ инструмента или несоблюдение правил техники безопасности, указанных в данном руководстве, может привести к тяжелой травме.**

### Важные правила техники безопасности для работы с аккумуляторным блоком

1. Перед использованием аккумуляторного блока прочитайте все инструкции и предупреждающие надписи на (1) зарядном устройстве, (2) аккумуляторном блоке и (3) инструменте, работающем от аккумуляторного блока.
  2. Не разбирайте блок аккумулятора и не меняйте его конструкцию. Это может привести к пожару, перегреву или взрыву.
  3. Если время работы аккумуляторного блока значительно сократилось, немедленно прекратите работу. В противном случае, может возникнуть перегрев блока, что приведет к ожогам и даже к взрыву.
  4. В случае попадания электролита в глаза промойте их обильным количеством чистой воды и немедленно обратитесь к врачу. Это может привести к потере зрения.
  5. Не замыкайте контакты аккумуляторного блока между собой:
    - (1) Не прикасайтесь к контактам какими-либо токопроводящими предметами.
    - (2) Не храните аккумуляторный блок в контейнере вместе с другими металлическими предметами, такими как гвозди, монеты и т. п.
    - (3) Не допускайте попадания на аккумуляторный блок воды или дождя.
11. Для утилизации блока аккумулятора извлеките его из инструмента и утилизируйте безопасным способом. Выполняйте требования местного законодательства по утилизации аккумуляторного блока.
  12. Используйте аккумуляторы только с продукцией, указанной Makita. Установка аккумуляторов на продукцию, не соответствующую требованиям, может привести к пожару, перегреву, взрыву или утечке электролита.
  13. Если инструментом не будут пользоваться в течение длительного периода времени, извлеките аккумулятор из инструмента.
  14. Во время и после использования блок аккумулятора может нагреваться, что может стать причиной ожогов или низкотемпературных ожогов. Будьте осторожны при обращении с горячим блоком аккумулятора.
  15. Не прикасайтесь к контактам инструмента сразу после использования, поскольку они могут быть достаточно горячими, чтобы вызвать ожоги.
  16. Не допускайте, чтобы обломки, пыль или земля прилипали к контактам, отверстиям и пазам на блоке аккумулятора. Это может привести к снижению эксплуатационных параметров, поломке инструмента или блока аккумулятора.

17. Если инструмент не рассчитан на использование вблизи высоковольтных линий электропередач, не используйте блок аккумулятора вблизи высоковольтных линий электропередач. Это может привести к неисправности, поломке инструмента или блока аккумулятора.

## СОХРАНИТЕ ДАННЫЕ ИНСТРУКЦИИ.

**⚠ВНИМАНИЕ:** Используйте только фирменные аккумуляторные батареи Makita. Использование аккумуляторных батарей, не произведенных Makita, или батарей, которые были подвергнуты модификациям, может привести к взрыву аккумулятора, пожару, травмам и повреждению имущества. Это также автоматически аннулирует гарантию Makita на инструмент и зарядное устройство Makita.

## Советы по обеспечению максимального срока службы аккумулятора

1. Заряжайте блок аккумуляторов перед его полной разрядкой. Обязательно прекратите работу с инструментом и зарядите блок аккумуляторов, если вы заметили снижение мощности инструмента.
2. Никогда не подзаряжайте полностью заряженный блок аккумуляторов. Перезарядка сокращает срок службы аккумулятора.
3. Заряжайте блок аккумуляторов при комнатной температуре в 10 - 40 °C (50 - 104 °F). Перед зарядкой горячего блока аккумуляторов дайте ему остыть.
4. Если блок аккумулятора не используется, извлеките его из инструмента или зарядного устройства.
5. Зарядите ионно-литиевый аккумуляторный блок, если вы не будете пользоваться инструментом длительное время (более шести месяцев).

## Важные правила техники безопасности для работы с беспроводным блоком

1. Не разбирайте и не меняйте конструкцию беспроводного блока.
2. Храните беспроводной блок в недоступном для детей месте. При случайном проглатывании немедленно обратитесь к врачу.
3. Используйте беспроводной блок только с инструментами Makita.
4. Не подвергайте беспроводной блок воздействию дождя или влаги.
5. Не используйте беспроводной блок в тех местах, где температура превышает 50 °C.
6. Не используйте беспроводной блок в тех местах, где поблизости могут находиться медицинские инструменты, например, кардиостимуляторы.
7. Не используйте беспроводной блок в тех местах, где могут находиться автоматизированные устройства. При использовании автоматизированных устройств могут возникнуть сбои или ошибки.
8. Не используйте беспроводной блок в местах, где он может подвергаться воздействию высокой температуры, статического электричества или электрических помех.
9. Беспроводной блок может создавать электромагнитные поля (EMF), которые не представляют опасности для пользователя.
10. Беспроводной блок является точным инструментом. Не роняйте и не ударяйте беспроводной блок.
11. Не прикасайтесь к клемме беспроводного блока голыми руками или металлическими предметами.
12. Во время установки беспроводного блока обязательно вытаскивайте аккумулятор из устройства.
13. Не открывайте крышку гнезда в таких местах, где в него может попасть пыль и вода. Входное отверстие гнезда всегда должно быть чистым.
14. Обязательно вставляйте беспроводной блок в правильном направлении.
15. Не нажимайте слишком сильно кнопку активации на беспроводном блоке и/или не нажимайте кнопку, используя объекты с острым краем.
16. Во время работы обязательно закрывайте крышку гнезда.
17. Не вытаскивайте беспроводной блок из гнезда, если на инструмент подано питание. Это может привести к неисправной работе беспроводного блока.
18. Не снимайте наклейку с беспроводного блока.
19. Не приклеивайте к беспроводному блоку никаких наклеек.
20. Не оставляйте беспроводной блок в таких местах, где может скапливаться статическое электричество или присутствовать электрические помехи.
21. Не оставляйте беспроводной блок в местах с высокой температурой, например на сиденье автомобиля в жару.
22. Не оставляйте беспроводной блок в местах, где присутствует пыль или порошок, или может образоваться коррозионный газ.
23. Внезапное изменение температуры может привести к образованию конденсата на беспроводном блоке. Не используйте беспроводной блок до тех пор, пока конденсат полностью не высохнет.
24. При чистке беспроводного блока аккуратно протрите его сухой мягкой тканью. Не используйте бензин, разбавитель, проводящую смазку или аналогичные материалы.
25. При хранении беспроводного блока поместите его в поставляемый футляр или в контейнер без статического электричества.

26. Не вставляйте в гнездо на инструменте никаких других устройств, кроме беспроводного блока Makita.
27. Не используйте инструмент с поврежденной крышкой гнезда. В гнездо может попасть вода, пыль и грязь, это может привести к неисправности.
28. Не тяните и/или не скручивайте крышку гнезда сильнее, чем это необходимо. Если крышка отсоединилась от инструмента, установите ее на место.
29. Замените крышку гнезда, если она утеряна или повреждена.

## СОХРАНИТЕ ДАННЫЕ ИНСТРУКЦИИ.

## ОПИСАНИЕ РАБОТЫ

**ВНИМАНИЕ:** Перед регулировкой или проверкой функций инструмента обязательно убедитесь, что он выключен и его аккумуляторный блок снят.

### Установка или снятие блока аккумулятора

**ВНИМАНИЕ:** Обязательно выключайте инструмент перед установкой и извлечением аккумуляторного блока.

**ВНИМАНИЕ:** При установке и извлечении аккумуляторного блока крепко удерживайте инструмент и аккумуляторный блок. Если не соблюдать это требование, они могут выскользнуть из рук, что приведет к повреждению инструмента, аккумуляторного блока и травмированию оператора.

► **Рис. 1:** 1. Красный индикатор 2. Кнопка 3. Блок аккумулятора

Для снятия аккумуляторного блока нажмите кнопку на лицевой стороне и извлеките блок.

Для установки аккумуляторного блока совместите выступ аккумуляторного блока с пазом в корпусе и задвиньте его на место. Устанавливайте блок до упора так, чтобы он зафиксировался на месте с небольшим щелчком. Если вы можете видеть красный индикатор на верхней части клавиши, адаптер аккумулятора не полностью установлен на месте.

**ВНИМАНИЕ:** Обязательно устанавливайте аккумуляторный блок до конца, чтобы красный индикатор не был виден. В противном случае аккумуляторный блок может выпасть из инструмента и нанести травму вам или другим людям.

**ВНИМАНИЕ:** Не прилагайте чрезмерных усилий при установке аккумуляторного блока. Если блок не двигается свободно, значит он вставлен неправильно.

## Индикация оставшегося заряда аккумулятора

Нажмите кнопку проверки на аккумуляторном блоке для проверки заряда. Индикаторы загорятся на несколько секунд.

► **Рис. 2:** 1. Индикаторы 2. Кнопка проверки

Индикаторы			Уровень заряда
Горит	Выкл.	Мигает	
■ ■ ■ ■			от 75 до 100%
■ ■ ■ □			от 50 до 75%
■ ■ □ □			от 25 до 50%
■ □ □ □			от 0 до 25%
▬ □ □ □			Зарядите аккумуляторную батарею.
■ ■ □ □			Возможно, аккумуляторная батарея неисправна.
□ □ ■ ■			

**ПРИМЕЧАНИЕ:** В зависимости от условий эксплуатации и температуры окружающего воздуха индикация может незначительно отличаться от фактического значения.

## Система защиты инструмента/аккумулятора

На инструменте предусмотрена система защиты инструмента/аккумулятора. Она автоматически отключает питание двигателя для продления срока службы инструмента и аккумулятора. Инструмент автоматически останавливается во время работы в следующих случаях:

### Защита от перегрузки

Если из-за способа эксплуатации аккумулятор потребляет очень большое количество тока, он автоматически остановится без включения каких-либо индикаторов. В этом случае выключите инструмент и прекратите работу, повлекшую перегрузку инструмента. Затем включите инструмент для перезапуска.

### Защита от перегрева

При перегреве инструмента или аккумулятора инструмент останавливается автоматически. В этом случае дайте инструменту/аккумулятору остыть перед повторным включением.

**ПРИМЕЧАНИЕ:** При перегреве инструмента начинает мигать лампа.

### Защита от переразрядки

При истощении емкости аккумулятора инструмент автоматически останавливается. В этом случае извлеките аккумулятор из инструмента и зарядите его.

## Действие выключателя

**⚠ ОСТОРОЖНО:** Перед установкой аккумуляторного блока в инструмент обязательно убедитесь, что его триггерный переключатель нормально работает и возвращается в положение "OFF" (ВЫКЛ) при отпускании.

► Рис.3: 1. Триггерный переключатель

Для запуска инструмента просто нажмите на триггерный переключатель. Для увеличения числа оборотов нажмите триггерный переключатель сильнее. Отпустите триггерный переключатель для остановки.

## Изменение скорости

Частоту вращения и количество ударов инструмента в минуту можно регулировать поворотом регулировочного диска. На диск нанесены отметки от 1 (наименьшая скорость) до 5 (наибольшая скорость).

► Рис.4: 1. Регулировочный диск

Соотношение между цифрой на регулировочном диске и частотой вращения и числом ударов в минуту указано в таблице ниже.

Цифра	Частота вращения, обороты в минуту	Число ударов в минуту
5	980	5 000
4	870	4 440
3	630	3 210
2	380	1 940
1	300	1 530

**⚠ ВНИМАНИЕ:** Не поворачивайте регулировочный диск во время работы инструмента. Несоблюдение данного требования может привести к потере контроля над инструментом и серьезной травме.

**ПРИМЕЧАНИЕ:** Если инструментом пользоваться непрерывно на низкой скорости в течение продолжительного времени, двигатель будет перегружен, что приведет к поломке инструмента.

**ПРИМЕЧАНИЕ:** Диск регулировки скорости можно поворачивать только до цифры 5 и обратно до 1. Не применяйте силу для поворота диска за пределы значений 5 или 1, так как это может привести к отказу функции регулирования скорости.

**ПРИМЕЧАНИЕ:** Функция плавного вращения без нагрузки (для HR001G/HR002G)

Если на регулировочном диске выставлено значение "4" или больше, инструмент автоматически снижает скорость при отсутствии нагрузки, чтобы снизить уровень вибрации в этом режиме работы. Как только сверло коснется бетона, частота вращения возрастет до значения, указанного в таблице. При низкой температуре и при меньшей текучести смазки эта функция может быть недоступна для инструмента даже при вращающемся двигателе.

## Включение передней лампы

► Рис.5: 1. Лампа

**⚠ ВНИМАНИЕ:** Не смотрите непосредственно на свет или источник света.

Лампа продолжает гореть, пока нажат триггерный переключатель. Лампа будет светиться до тех пор, пока нажат триггерный переключатель. Лампа гаснет примерно через 10 секунд после отпускания триггерного переключателя.

**⚠ ВНИМАНИЕ:** Действия при работе с HR001G/HR002G

Если лампа мигает и гаснет через несколько секунд, это означает, что функция распознавания активной обратной связи работает неправильно. Обратитесь в местный сервисный центр Makita для ремонта.

**ПРИМЕЧАНИЕ:** Для удаления пыли с линзы лампы используйте сухую ткань. Не допускайте возникновения царапин на линзе лампы, так как это приведет к снижению освещенности.

**ПРИМЕЧАНИЕ:** Если на инструмент установлена система пылеулавливания, загорается лампа на системе пылеулавливания, а не лампа на инструменте.

## Действие реверсивного переключателя

► Рис.6: 1. Рычаг реверсивного переключателя

**⚠ ВНИМАНИЕ:** Перед работой всегда проверяйте направление вращения.

**⚠ ВНИМАНИЕ:** Используйте реверсивный переключатель только после полной остановки инструмента. Изменение направления вращения до полной остановки инструмента может привести к его повреждению.

**⚠ ВНИМАНИЕ:** Если инструмент не используется, обязательно переведите рычаг реверсивного переключателя в нейтральное положение.

Этот инструмент оборудован реверсивным переключателем для изменения направления вращения. Нажмите на рычаг реверсивного переключателя со стороны А для вращения по часовой стрелке или со стороны В для вращения против часовой стрелки. Когда рычаг реверсивного переключателя находится в нейтральном положении, триггерный переключатель нажать нельзя.

## Смена быстро сменяемого патрона для SDS-plus



### Модели HR002G/HR004G

Быстро сменяемый патрон для SDS-plus можно быстро заменить на быстро сменяемый сверлильный патрон.






## Снятие быстро сменяемого патрона для SDS-plus

**ВНИМАНИЕ:** Перед снятием быстро сменяемого патрона для SDS-plus обязательно извлеките сверло.

Возьмитесь за сменную крышку быстро сменяемого патрона для SDS-plus и поворачивайте ее в направлении стрелки, пока линия сменной крышки не переместится с символа  на символ . Сильно потяните в направлении стрелки.

► **Рис.7:** 1. Быстро сменяемый патрон для SDS-plus 2. Сменная крышка 3. Линия сменной крышки

## Установка быстро сменяемого сверлильного патрона

Убедитесь, что линия быстро сменяемого сверлильного патрона указывает на символ . Возьмитесь за сменную крышку быстро сменяемого сверлильного патрона и установите линию на символ . Установите быстро сменяемый сверлильный патрон на шпиндель инструмента. Возьмитесь за сменную крышку быстро сменяемого сверлильного патрона и поворачивайте линию сменной крышки к символу , пока не услышите четкий щелчок.


► **Рис.8:** 1. Быстро сменяемый сверлильный патрон 2. Шпиндель 3. Линия сменной крышки 4. Сменная крышка

## Выбор режима действия

**ПРИМЕЧАНИЕ:** Не поворачивайте ручку изменения режима работы во время работы инструмента. Это приведет к поломке инструмента.

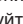
**ПРИМЕЧАНИЕ:** Во избежание быстрого износа механизма изменения режима следите за тем, чтобы ручка изменения режима работы всегда точно находилась в одном из трех положений режима действия.

## Вращение с ударным действием

Для сверления бетона, кирпичной кладки и т.п. поверните ручку изменения режимов работы в положение . Используйте головку сверла с накопчиком из карбида вольфрама (дополнительная принадлежность).


► **Рис.9:** 1. Вращение с ударным действием 2. Ручка изменения режима работы

## Только вращение

Для сверления дерева, металла или пластмасс поверните ручку изменения режимов работы в положение . Используйте спиральное сверло или сверло по дереву.

► **Рис.10:** 1. Только вращение

## Только ударное действие

Для расщепления, скобления или разрушения конструкций поверните ручку переключения режимов работы в положение . Используйте пирамидальное долото, слесарное зубило, резец и т.п.

► **Рис.11:** 1. Только ударное действие

## Крючок

**ВНИМАНИЕ:** Всегда извлекайте аккумулятор при подвешивании инструмента за крючок.

**ВНИМАНИЕ:** Никогда не вешайте инструмент на высоте или на потенциально неустойчивой поверхности.

Крючок удобен для временного подвешивания инструмента.

Для использования крючка просто поднимите его так, чтобы он защелкнулся в открытом положении. Если крючок не используется, опустите его так, чтобы он защелкнулся в закрытом положении.

► **Рис.12:** 1. Крючок

► **Рис.13**

## Подсоединение стропа (страховочного ремня) к крючку

**ВНИМАНИЕ:** Не используйте поврежденный крючок и винты. Перед началом работы проведите осмотр и убедитесь в том, что на инструменте отсутствуют повреждения, трещины или деформация, а также в том, что винты затянуты.

**ВНИМАНИЕ:** Убедитесь в том, что крючок надежно затянут винтами.

**ВНИМАНИЕ:** Не извлекайте блок аккумулятора во время подвешивания инструмента. Если винты не затянуты, инструмент может упасть.

**ВНИМАНИЕ:** Всегда используйте муфтованный карабин (универсальный и с винтовым зажимом) и прикрепляйте строп (страховочный ремень) к части крючка с двойной петлей. Неправильное прикрепление может привести к тому, что инструмент упадет и нанесет травмы.

Крючок также используется для подсоединения стропа (страховочного ремня). Подсоедините строп (страховочный ремень) к части крючка с двойной петлей.

► **Рис.14:** 1. Часть крючка с двойной петлей 2. Строп (страховочный ремень) 3. Муфтованный карабин (универсальный и с винтовым зажимом)

## Регулировка положения сопла системы пылеулавливания

### Дополнительные принадлежности

Задвигайте направляющую, нажимая кнопку регулировки направляющей, затем отпустите кнопку в нужном положении.

► **Рис.15:** 1. Направляющая 2. Кнопка регулировки направляющей



**ПРИМЕЧАНИЕ:** Перед регулировкой положения насадки полностью переместите сопло вперед, нажав кнопку регулировки направляющей.

Если установлена удлиненная головка сверла, выдвиньте направляющую, нажав кнопку удлинителя.

► **Рис.16:** 1. Кнопка удлинителя

## Регулировка глубины сверления на системе пылеулавливания

### Дополнительные принадлежности

Сдвиньте кнопку регулировки глубины в нужное положение, нажав ее. Расстояние (А) обозначает глубину сверления.

► **Рис.17:** 1. Кнопка регулировки глубины

## Ограничитель крутящего момента

**ПРИМЕЧАНИЕ:** При срабатывании ограничителя крутящего момента немедленно выключите инструмент. Это поможет предотвратить преждевременный износ инструмента.

**ПРИМЕЧАНИЕ:** Такие головки сверла, как кольцевая пила, которые могут быть легко заземлены в отверстии, не подходят для данного инструмента. Такие насадки вызывают частое срабатывание ограничителя крутящего момента.

Ограничитель крутящего момента срабатывает при достижении определенного уровня крутящего момента. Электродвигатель отсоединится от выходного вала. Когда это произойдет, головка сверла перестанет вращаться.

## Электронная функция

Для простоты эксплуатации инструмент оснащен электронными функциями.

- Постоянный контроль скорости  
Функция контроля скорости обеспечивает неизменное число оборотов независимо от нагрузки.
- Функция распознавания активной обратной связи (для HR001G/HR002G)  
Если во время работы инструмент резко колеблется при заданном ускорении, двигатель принудительно останавливается для уменьшения нагрузки на запястье.

**ПРИМЕЧАНИЕ:** Эта функция не работает, если во время колебания инструмента не было достигнуто заданного ускорения.

**ПРИМЕЧАНИЕ:** Если во время расщепления, скобления или разрушения головка резко колеблется при заданном ускорении, двигатель принудительно останавливается. В таком случае отпустите триггерный переключатель, а затем снова нажмите на него, чтобы перезапустить инструмент.

## СБОРКА

**ВНИМАНИЕ:** Перед проведением каких-либо работ с инструментом обязательно убедитесь, что инструмент отключен, а блок аккумулятора снят.

## Боковая ручка (вспомогательная рукоятка)

**ВНИМАНИЕ:** Для обеспечения безопасности во время работ всегда используйте боковую ручку.

**ВНИМАНИЕ:** После установки или регулировки боковой ручки убедитесь в надежности ее крепления.

Для установки боковой ручки выполните указанные ниже действия.

1. Ослабьте барашковый винт на боковой ручке.

► **Рис.18:** 1. Барашковый винт

2. Устанавливайте боковую ручку, нажимая барашковый винт, чтобы выступы на ручке вошли в пазы на цилиндрической части инструмента.

► **Рис.19:** 1. Барашковый винт

3. Затяните барашковый винт, чтобы закрепить ручку. Ручку можно закрепить под нужным углом.

## Смазка

Смажьте хвостовик головки сверла заранее небольшим количеством смазки для головки сверла (примерно 0,5 - 1 г).

Такая смазка патрона обеспечивает равномерную работу и увеличивает срок службы.

## Установка или снятие головки сверла

Перед установкой головки сверла очистите хвостовик и смажьте его.

► **Рис.20:** 1. Хвостовик 2. Смазка

Вставьте головку сверла в инструмент. Поверните головку сверла и нажмите, чтобы зафиксировать. После установки убедитесь в надежной фиксации головки сверла, для чего потяните за нее.

► **Рис.21:** 1. Головка сверла


Чтобы снять головку сверла, нажмите вниз на крышку патрона и вытащите головку сверла.

► **Рис.22:** 1. Головка сверла 2. Крышка патрона

## Угол зубила (при расщеплении, скоблении или разрушении)

Зубило можно закрепить под нужным углом. Для изменения угла зубила поверните ручку переключения режимов работы в положение О. Поверните зубило на необходимый угол.

► **Рис.23:** 1. Ручка изменения режима работы

Установите ручку переключения режимов в положение . Затем, слегка повернув зубило, убедитесь, что оно надежно закреплено.

## Глубиномер

Глубиномер удобен для сверления отверстий одинаковой глубины.

Нажмите и удерживайте кнопку замка, затем поместите глубиномер в шестигранное отверстие. Убедитесь в том, что сторона глубиномера с зубцами направлена на соответствующую метку.

► **Рис.24:** 1. Глубиномер 2. Кнопка блокировки 3. Метка 4. Сторона с зубцами

Отрегулируйте положение глубиномера, двигая его вперед и назад, одновременно нажав и удерживая кнопку замка. Отрегулировав положение, отпустите кнопку замка, чтобы зафиксировать глубиномер.

**ПРИМЕЧАНИЕ:** Во время присоединения убедитесь, что глубиномер не касается корпуса инструмента.

## Установка или снятие системы пылеудаления

### Дополнительные принадлежности

Для установки системы пылеулавливания вставьте инструмент в систему пылеулавливания до упора таким образом, чтобы он зафиксировался с негромким двойным щелчком.

► **Рис.25**

Для снятия системы пылеулавливания потяните инструмент, нажимая при этом кнопку блокировки в выключенном положении.

► **Рис.26:** 1. Кнопка блокировки в выключенном положении

## Колпак для пыли

### Дополнительные принадлежности


Используйте колпак для пыли для предотвращения падения пыли на инструмент и на вас при выполнении сверления над головой. Прикрепите колпак для пыли к сверлу, как показано на рисунке. Размер сверл, к которым можно прикрепить колпак для пыли, следующий.

Модель	Диаметр сверла
Колпак для пыли 5	6 мм - 14,5 мм
Колпак для пыли 9	12 мм - 16 мм

► **Рис.27:** 1. Колпак для пыли

## Колпак для пыли в сборе

### Дополнительные принадлежности

Перед установкой колпака для пыли в сборе снимите с инструмента сверло, если оно было на него установлено. Установите колпак для пыли в сборе на инструмент таким образом, чтобы символ  на колпаке для пыли был совмещен с пазом инструмента.

► **Рис.28:** 1.  символ 2. Паз

**ПРИМЕЧАНИЕ:** В случае использования пылесоса совместно с колпаком для пыли в сборе перед подсоединением снимите крышку колпака для пыли.

► **Рис.29:** 1. Крышка колпака для пыли

Чтобы снять колпак для пыли в сборе, снимите сверло, при этом тяните крышку патрона по направлению стрелки.

► **Рис.30:** 1. Сверло 2. Крышка патрона

Возьмитесь за основание колпака для пыли и потяните.

► **Рис.31**

**ПРИМЕЧАНИЕ:** Если крышка отсоединилась от колпака для пыли, прикрепите ее так, чтобы сторона с печатью была направлена вверх, а выступ на крышке располагался внутри периметра дополнительного оборудования.

► **Рис.32**

## ЭКСПЛУАТАЦИЯ

**ВНИМАНИЕ:** Всегда пользуйтесь боковой ручкой (вспомогательной ручкой) и при работе крепко держите инструмент и за боковую ручку, и за ручку с выключателем.

**ВНИМАНИЕ:** Перед началом работы всегда проверяйте надежность закрепления рабочей детали.

**ВНИМАНИЕ:** Не тяните инструмент силой, даже если головка застряла. Потеря контроля над инструментом может привести к травме.

**ВНИМАНИЕ:** Система пылеудаления предназначена только для сверления бетона. Не используйте систему пылеудаления при сверлении металла или дерева.

**ВНИМАНИЕ:** При использовании инструмента с системой пылеудаления к системе необходимо присоединить фильтр, чтобы избежать вдыхания пыли.

**ВНИМАНИЕ:** Перед использованием системы пылеудаления убедитесь, что фильтр не поврежден. Несоблюдение этого требования может привести к вдыханию пыли.

**ВНИМАНИЕ:** Система пылеудаления рассчитана на удаление значительного объема образующейся пыли, однако она не может удалить всю пыль.

**ПРИМЕЧАНИЕ:** Не используйте систему пылеудаления для колонкового бурения или долбления долотом.


**ПРИМЕЧАНИЕ:** Не используйте систему пылеудаления для сверления влажного бетона или во влажных условиях. Несоблюдение этого требования может привести к поломке.

**ПРИМЕЧАНИЕ:** Если температура блока аккумулятора низкая, производительность инструмента может быть снижена. В этом случае нагрейте блок аккумулятора, для этого дайте инструменту поработать без нагрузки в течение некоторого времени. Производительность инструмента восстановится.

► Рис.33

## Сверление с ударным действием


**ВНИМАНИЕ:** Когда инструмент/головка сверла начинает выходить из материала при завершении отверстия или когда отверстие забивается стружкой или частицами, а также при попадании на прутки арматуры при сверлении бетона, возникает огромное мгновенное усилие на инструмент/головку сверла. **Всегда пользуйтесь боковой ручкой (вспомогательной рукояткой) и при работе крепко держите инструмент и за боковую ручку, и за ручку с выключателем.** Несоблюдение данного требования может привести к потере контроля над инструментом и серьезной травме.

Поверните ручку изменения режима работы к символу . Расположите головку сверла в желаемом положении в отверстии, затем нажмите триггерный переключатель. Не прилагайте излишних усилий к инструменту. Небольшое усилие на инструмент приводит к лучшим результатам. Удерживайте инструмент на месте и не допускайте его соскальзывания с места выполнения отверстия.

Не применяйте дополнительное давление, если отверстие засорено щепками или посторонними частицами. Вместо этого дайте инструменту поработать вхолостую и затем частично вытащите головку сверла из отверстия. Если эту процедуру проделать несколько раз, отверстие очистится и можно будет возобновить обычное сверление.

**ПРИМЕЧАНИЕ:** При работе с инструментом без нагрузки может наблюдаться эксцентricность головки сверла при вращении. Инструмент осуществляет автоматическую центровку в ходе его эксплуатации. Это не влияет на точность сверления.

## Расщепление/Скобление/Разрушение

Поверните ручку изменения режима работы к символу . Крепко держите инструмент обеими руками. Включите инструмент и немного надавите на него, чтобы предотвратить неконтролируемое подпрыгивание инструмента. Слишком сильное нажатие на инструмент не повысит эффективность.

► Рис.34

## Сверление дерева или металла


**ВНИМАНИЕ:** Крепко удерживайте инструмент и будьте осторожны, когда головка сверла начинает проходить сквозь обрабатываемую деталь. В момент выхода головки сверла из детали возникает огромное усилие на инструмент/сверло.

**ВНИМАНИЕ:** Заклинившая головка сверла может быть без проблем извлечена из обрабатываемой детали путем изменения направления вращения при помощи реверсивного переключателя. Однако если вы не будете крепко держать инструмент, он может резко сдвинуться назад.

**ВНИМАНИЕ:** Всегда закрепляйте обрабатываемые детали в тисках или аналогичном зажимном устройстве.

**ПРИМЕЧАНИЕ:** Запрещается использовать режим "вращения с ударным действием", если на инструменте установлен сверлильный патрон. Это может привести к повреждению сверлильного патрона. Кроме того, при изменении направления вращения сверлильный патрон отсоединится.

**ПРИМЕЧАНИЕ:** Чрезмерное нажатие на инструмент не ускорит сверление. На самом деле, чрезмерное давление только повредит наконечник головки сверла, снизит производительность инструмента и сократит срок его службы.

Поверните ручку изменения режима работы к символу .

## Модели HR001G/HR003G

### Дополнительные принадлежности

Прикрепите переходник патрона к сверлильному патрону без ключа, на который можно установить винт 1/2"-20, затем установите их на инструмент. При его установке обратитесь к разделу "Установка или снятие головки сверла".

► Рис.35: 1. Сверлильный патрон без ключа  
2. Переходник патрона

## Модели HR002G/HR004G

Используйте в качестве стандартного оборудования быстро сменяемый сверлильный патрон. Процедура его установки описана в разделе «Замена быстро сменяемого патрона для SDS-plus».


Удерживайте кольцо и поверните втулку против часовой стрелки для освобождения кулачков зажимного патрона. Вставьте сверло в зажимной патрон как можно глубже. Крепко удерживая кольцо, поверните втулку по часовой стрелке для затяжки патрона.

► Рис.36: 1. Муфта 2. Кольцо

Чтобы снять сверло, удерживайте кольцо и поверните муфту против часовой стрелки.

## Сверление колонковым алмазным долотом

**ПРИМЕЧАНИЕ:** Если выполнять работы колонковым алмазным долотом с использованием режима "вращение с ударным действием", колонковое алмазное долото можно повредить.

При сверлении колонковым алмазным долотом всегда переводите кольцо изменения режима работы в положение  для использования режима "только вращение".

## Очистка фильтра от пыли

### Дополнительные принадлежности

**ВНИМАНИЕ:** Не поворачивайте диск на корпусе для сбора пыли, если корпус для сбора пыли отсоединен от системы пылеулавливания. Это может привести к вдыханию пыли.

**ВНИМАНИЕ:** Обязательно выключайте инструмент, прежде чем повернуть диск на корпусе для сбора пыли. Поворот этого диска при работающем инструменте может привести к потере контроля над инструментом.

Благодаря очистке фильтра от пыли внутри корпуса для сбора пыли можно сохранить эффективность очистки пылесосом и снизить количество операций по удалению пыли.

Поворачивайте регулятор на корпусе для сбора пыли три раза после сбора каждых 50 000 мм<sup>3</sup> пыли или когда чувствуете, что качество очистки пылесосом снизилось.

**ПРИМЕЧАНИЕ:** 50 000 мм<sup>3</sup> пыли равно количеству пыли после просверливания 10 отверстий диаметром 10 мм и 65 мм глубиной (14 отверстий диам. 3/8 дюйма и 2 дюйма глубиной).

► Рис.37: 1. Корпус для сбора пыли 2. Регулятор со шкалой

## Удаление пыли

### Дополнительные принадлежности

**ВНИМАНИЕ:** Перед проведением каких-либо работ с инструментом обязательно убедитесь, что инструмент отключен, а блок аккумулятора снят.

**ВНИМАНИЕ:** Обязательно надевайте защитную маску при удалении пыли.

**ВНИМАНИЕ:** Регулярно очищайте корпус для сбора пыли до его заполнения. Несоблюдение этого требования может привести к ухудшению процесса сбора пыли и вдыханию пыли.

**ВНИМАНИЕ:** Процесс удаления пыли ухудшается, если фильтр корпуса для сбора пыли засорен. В качестве рекомендации замените фильтр новым после 200 раз заполнения пылесборника. Несоблюдение этого требования может привести к вдыханию пыли.

1. Снимите корпус для сбора пыли при нажатии рычага корпуса.

► Рис.38: 1. Рычаг

2. Откройте крышку корпуса для сбора пыли.

► Рис.39: 1. Крышка

3. Удалите пыль, затем очистите фильтр.

► Рис.40

**ПРИМЕЧАНИЕ:** При очистке фильтра слегка коснитесь корпуса фильтра рукой для удаления пыли. Не прикасайтесь к самому фильтру; не прикасайтесь к фильтру щеткой или аналогичными приспособлениями и не направляйте поток сжатого воздуха на фильтр. Это может повредить фильтр.

## Груша для продувки

### Дополнительные принадлежности

После сверления отверстия воспользуйтесь грушей для продувки, чтобы удалить пыль из отверстия.

► Рис.41

## Использование колпака для пыли в сборе

### Дополнительные принадлежности

Во время эксплуатации инструмента колпак для пыли в сборе должен быть установлен параллельно потолку.

► Рис.42

**ПРИМЕЧАНИЕ:** Не используйте колпак для пыли в сборе при сверлении металла или аналогичного материала. Это может привести к повреждению колпака для пыли в сборе нагретыми металлическими или подобными частицами.

**ПРИМЕЧАНИЕ:** Не устанавливайте и не снимайте колпак для пыли в сборе при установленной на инструмент головке сверла. Это может привести к повреждению колпака для пыли в сборе и утечке пыли.

## Подсоединение стропа (страховочного ремня) к крючку

**ВНИМАНИЕ:** Инструкции по технике безопасности работ на высоте

Ознакомьтесь со всеми предупреждениями и инструкциями по технике безопасности.

Несоблюдение требований предупреждений и инструкций может привести к тяжелым травмам.

1. При выполнении работ на высоте всегда используйте страховочный ремень для фиксации инструмента. Максимальная длина стропа составляет 2 м. Максимальная допустимая высота падения для стропа (страховочного ремня) не должна превышать 2 м.

2. Используйте только стропы, подходящие для инструмента этого типа и рассчитанные как минимум на 8,0 кг.
3. Не прикрепляйте строп инструмента к элементам одежды или к подвижным деталям. Прикрепите строп инструмента к жесткой конструкции, которая может выдержать вес падающего инструмента.
4. Перед использованием убедитесь в том, что строп надежно закреплен со всех концов.
5. Проверяйте инструмент и строп перед каждым использованием на предмет исправности и отсутствия повреждений (включая состояние ткани и швов). Не используйте в случае повреждения или неисправности.
6. Не оборачивайте стропы вокруг предметов с острыми или зазубренными краями и не допускайте соприкосновения стропов с тупыми предметами.
7. Прикрепите другой конец стропа за пределами рабочей зоны таким образом, чтобы падающий инструмент надежно фиксировался.
8. Прикрепите строп таким образом, чтобы в случае падения инструмент двигался в противоположном от оператора направлении. Упавшие инструменты будут раскачиваться на стропе, что может привести к травме или потере баланса.
9. Не используйте вблизи движущихся частей или работающего оборудования. Несоблюдение этого требования может привести к механическим повреждениям или запутыванию.
10. Не переносите инструмент за крепежное приспособление или строп.
11. Переключайте инструмент из одной руки в другую только находясь в устойчивом положении.
12. Прикрепляя стропы к инструменту, следите за тем, чтобы они не препятствовали нормальной работе переключателей или механизмов блокировки триггерных переключателей (при наличии).
13. Не допускайте запутывания в стропах.
14. Держите строп на расстоянии от зоны сверления инструмента.
15. Используйте муфтованный карабин (универсальный и с винтовым зажимом). Не используйте карабины одностороннего действия с пружинным фиксатором.
16. Если инструмент упал, его следует поместить, прекратить его эксплуатацию и отправить на завод или в авторизованный сервисный центр Makita для проверки.

## ФУНКЦИЯ БЕСПРОВОДНОЙ АКТИВАЦИИ

Опция для HR001G/HR002G

### Что позволяет делать функция беспроводной активации

Функция беспроводной активации обеспечивает беспрепятственную и удобную работу. Подключив к инструменту поддерживаемый пылесос, можно его автоматически запускать, используя переключатель инструмента.

► **Рис.43**

Чтобы использовать функцию беспроводной активации, подготовьте следующие компоненты:

- Беспроводной блок (Дополнительные принадлежности)
- Пылесос, который поддерживает функцию беспроводной активации

Обзор настройки функции беспроводной активации выглядит следующим образом. Подробные процедуры см. в каждом разделе.

1. Установка беспроводного блока
2. Регистрация инструмента для пылесоса
3. Запуск функции беспроводной активации

### Установка беспроводного блока

*Дополнительные принадлежности*

**▲ВНИМАНИЕ:** При установке беспроводного блока поместите инструмент на ровную и устойчивую поверхность.

**ПРИМЕЧАНИЕ:** Перед началом установки беспроводного блока очистите пыль и грязь на инструменте. Если пыль или грязь попадет в гнездо беспроводного блока, это может привести к неисправности.

**ПРИМЕЧАНИЕ:** Во избежание сбоев, вызванных статическим электричеством, прежде чем поднимать беспроводной блок, прикоснитесь к материалу, позволяющему снять статический разряд, например, к металлической части инструмента.

**ПРИМЕЧАНИЕ:** При установке беспроводного блока всегда следите за тем, чтобы беспроводной блок был вставлен в правильное направление, и крышка была полностью закрыта.

1. Откройте крышку на инструменте, как показано на рисунке.

► **Рис.44:** 1. Крышка

2. Вставьте беспроводной блок в гнездо и закройте крышку.

При вставке беспроводного блока выравнивайте выступы с углубленными участками в гнезде.

► **Рис.45:** 1. Беспроводной блок 2. Защита 3. Крышка 4. Углубленный участок

При извлечении беспроводного блока медленно откройте крышку. Если потянуть крышку, то крючки на обратной стороне крышки поднимут беспроводной блок.

- **Рис.46:** 1. Беспроводной блок 2. Крючок  
3. Крышка

После извлечения беспроводного блока поместите его в поставляемый футляр или в контейнер без статического электричества.

**ПРИМЕЧАНИЕ:** Для снятия беспроводного блока обязательно используйте крючки на обратной стороне крышки. Если крючки не захватывают беспроводной блок, полностью закройте крышку и снова медленно откройте ее.

## Регистрация инструмента для пылесоса

**ПРИМЕЧАНИЕ:** Для регистрации инструмента необходим пылесос Makita, поддерживающий функцию беспроводной активации.

**ПРИМЕЧАНИЕ:** Перед началом регистрации инструмента завершите установку беспроводного блока в инструмент.

**ПРИМЕЧАНИЕ:** Во время регистрации инструмента не тяните за триггерный переключатель и не включайте выключатель питания на пылесосе.

**ПРИМЕЧАНИЕ:** См. также руководство по эксплуатации пылесоса.

Если необходимо активировать пылесос одновременно с переключением инструмента, сначала завершите регистрацию инструмента.

1. Установите аккумулятор в пылесос и инструмент.
2. Установите выключатель режима ожидания на пылесосе в положение «АУТО» (автоматический).  
► **Рис.47:** 1. Выключатель режима ожидания
3. Нажмите и удерживайте кнопку беспроводной активации на пылесосе в течение 3 секунд, пока лампа беспроводной активации не замигает зеленым цветом. Затем таким же образом нажмите кнопку беспроводной активации на инструменте.  
► **Рис.48:** 1. Кнопка беспроводной активации  
2. Лампа беспроводной активации

Если пылесос и инструмент надежно соединены друг с другом, то лампы беспроводной активации будут гореть зеленым светом в течение 2 секунд, затем начнут мигать синим цветом.

**ПРИМЕЧАНИЕ:** Через 20 секунд лампы беспроводной активации связи закончат мигать зеленым цветом. Если на пылесосе мигает лампа беспроводной активации, нажмите кнопку беспроводной активации на инструменте. Если лампа беспроводной активации не мигает зеленым цветом, нажмите кнопку беспроводной активации на короткое время, а затем снова удерживайте ее.

**ПРИМЕЧАНИЕ:** При выполнении двух или более регистраций инструмента для одного пылесоса завершите регистрацию инструмента одну за другой.

## Запуск функции беспроводной активации

**ПРИМЕЧАНИЕ:** Перед беспроводной активацией завершите регистрацию инструмента для пылесоса.

**ПРИМЕЧАНИЕ:** См. также руководство по эксплуатации пылесоса.

После регистрации инструмента для пылесоса можно использовать переключатель инструмента для автоматического запуска пылесоса.

1. Установите беспроводной блок в инструмент.
2. Подсоедините шланг пылесоса к инструменту.  
► **Рис.49**

3. Установите выключатель режима ожидания на пылесосе в положение «АУТО» (автоматический).

► **Рис.50:** 1. Выключатель режима ожидания

4. На короткое время нажмите кнопку беспроводной активации на инструменте. Лампа беспроводной активации мигает синим цветом.

► **Рис.51:** 1. Кнопка беспроводной активации  
2. Лампа беспроводной активации

5. Потяните триггерный переключатель инструмента. Проверьте, работает ли пылесос при нажатии триггерного переключателя.

Чтобы остановить беспроводную активацию пылесоса, нажмите кнопку беспроводной активации на инструменте.

**ПРИМЕЧАНИЕ:** Если в течение 2 часов не будет выполняться никаких действий, то лампа беспроводной активации на инструменте перестанет мигать синим цветом. В этом случае установите выключатель режима ожидания на пылесосе в положение «АУТО» и снова нажмите кнопку беспроводной активации на инструменте.

**ПРИМЕЧАНИЕ:** Пылесос запускается/останавливается с задержкой. Когда пылесос обнаруживает переключение выключателя инструмента, возникает временная задержка.
















**ПРИМЕЧАНИЕ:** Дальность передачи беспроводного блока может варьироваться в зависимости от местоположения и окружающих предметов.

**ПРИМЕЧАНИЕ:** Если на одном пылесосе зарегистрировано два или несколько инструментов, пылесос может начать работать, даже если триггерный переключатель не нажат, поскольку другой пользователь использует функцию беспроводной активации.

## Описание статуса лампы беспроводной активации

### ► Рис.52: 1. Лампа беспроводной активации

Лампа беспроводной активации отображает состояние функции беспроводной активации. Значения состояния лампы см. в таблице ниже.

Состояние	Лампа беспроводной активации				Описание
	Цвет	 Вкл	 Мигает	Продолжительность	
Ожидание	Синий			2 часа	Доступна беспроводная активация пылесоса. Если в течение 2 часов не будет выполняться никаких операций, лампа автоматически выключится.
				Пока инструмент работает.	Доступна беспроводная активация пылесоса, инструмент работает.
Регистрация инструмента	Зеленая			20 секунд	Готовность к регистрации инструмента. Ожидание регистрации пылесосом.
				2 секунды	Регистрация инструмента завершена. Лампа беспроводной активации начнет мигать синим цветом.
Отмена регистрации инструмента	Красная			20 секунд	Готовность к отмене регистрации инструмента. Ожидание отмены пылесосом.
				2 секунды	Отмена регистрации инструмента завершена. Лампа беспроводной активации начнет мигать синим цветом.
Прочие	Красная			3 секунд	На беспроводной блок подается питание, и запускается функция беспроводной активации.
	Выкл	-	-	-	Беспроводная активация пылесоса прекращается.

## Отмена регистрации инструмента для пылесоса

При отмене регистрации инструмента для пылесоса выполните следующую процедуру.

1. Установите аккумулятор в пылесос и инструмент.
2. Установите выключатель режима ожидания на пылесосе в положение «АУТО» (автоматический).

### ► Рис.53: 1. Выключатель режима ожидания

3. Нажмите и удерживайте кнопку беспроводной активации на пылесосе в течение 6 секунд. Лампа беспроводной активации мигает зеленым, а затем переключается на красный цвет. После этого нажмите кнопку беспроводной активации на инструменте таким же образом.

- Рис.54: 1. Кнопка беспроводной активации
2. Лампа беспроводной активации

Если отмена выполнена успешно, лампы беспроводной активации загорятся красным цветом на 2 секунды и начнут мигать синим цветом.

**ПРИМЕЧАНИЕ:** По истечении 20 секунд лампы беспроводной активации прекращают мигать красным цветом. Если на пылесосе мигает лампа беспроводной активации, нажмите кнопку беспроводной активации на инструменте. Если лампа беспроводной активации не мигает красным цветом, нажмите кнопку беспроводной активации на короткое время, а затем снова удерживайте ее.



## Поиск и устранение неисправностей для функции беспроводной активации

Прежде чем обращаться по поводу ремонта, проведите осмотр самостоятельно. Если обнаружена неисправность, не указанная в руководстве, не пытайтесь разобрать инструмент. Обратитесь в один из авторизованных сервисных центров Makita, в которых для ремонта всегда используются оригинальные детали Makita.

Состояние неисправности	Возможная причина (неисправности)	Способ устранения
Лампа беспроводной активации не горит/мигает.	Беспроводной блок не установлен в инструмент. Беспроводной блок неправильно установлен в инструмент.	Правильно установите беспроводной блок.
	Грязь на клемме беспроводного блока и/или гнезда.	Аккуратно вытрите пыль и грязь на клемме беспроводного блока и очистите гнездо.
	Не нажата кнопка беспроводной активации на инструменте.	На короткое время нажмите кнопку беспроводной активации на инструменте.
	Выключатель режима ожидания на пылесосе не установлен в положение «АUTO» (автоматический).	Установите выключатель режима ожидания на пылесосе в положение «АUTO» (автоматический).
	Отсутствует электропитание	Подайте питание на инструмент и пылесос.
Не удается успешно завершить регистрацию/отмену регистрации инструмента.	Беспроводной блок не установлен в инструмент. Беспроводной блок неправильно установлен в инструмент.	Правильно установите беспроводной блок.
	Грязь на клемме беспроводного блока и/или гнезда.	Аккуратно вытрите пыль и грязь на клемме беспроводного блока и очистите гнездо.
	Выключатель режима ожидания на пылесосе не установлен в положение «АUTO» (автоматический).	Установите выключатель режима ожидания на пылесосе в положение «АUTO» (автоматический).
	Отсутствует электропитание	Подайте питание на инструмент и пылесос.
	Неверная операция	На короткое время нажмите кнопку беспроводной активации и снова выполните процедуру регистрации/отмены.
	Большое расстояние между инструментом и пылесосом (вне диапазона передачи).	Расположите инструмент и пылесос ближе друг к другу. Максимальное расстояние передачи составляет приблизительно 10 м, однако оно может изменяться в зависимости от обстоятельств.
	Перед завершением регистрации инструмента/отмены; - был вытянут триггерный переключатель на инструменте или; - нажата кнопка питания на пылесосе.	На короткое время нажмите кнопку беспроводной активации и снова выполните процедуру регистрации/отмены.
	Процедура регистрации инструмента для инструмента или пылесоса не завершена.	Одновременно выполните процедуры регистрации инструмента для инструмента и для пылесоса.
Радиопомехи от других приборов, которые генерируют радиоволны высокой интенсивности.	Избегайте эксплуатации инструмента и пылесоса рядом с такими приборами, как устройства Wi-Fi и микроволновые печи.	

Состояние неисправности	Возможная причина (неисправности)	Способ устранения
Пылесос не работает при использовании переключателя инструмента.	Беспроводной блок не установлен в инструмент. Беспроводной блок неправильно установлен в инструмент.	Правильно установите беспроводной блок.
	Грязь на клемме беспроводного блока и/или гнезда.	Аккуратно вытрите пыль и грязь на клемме беспроводного блока и очистите гнездо.
	Не нажата кнопка беспроводной активации на инструменте.	На короткое время нажмите кнопку беспроводной активации и убедитесь в том, что лампа беспроводной активации мигает синим цветом.
	Выключатель режима ожидания на пылесосе не установлен в положение «АУТО» (автоматический).	Установите выключатель режима ожидания на пылесосе в положение «АУТО» (автоматический).
	В пылесосе зарегистрировано более 10 инструментов.	Выполните повторную регистрацию инструмента. Если в пылесосе зарегистрировано более 10 инструментов, инструмент, зарегистрированный самым первым, будет автоматически отменен.
	Пылесос удалил все записи регистрации инструментов.	Выполните повторную регистрацию инструмента.
	Отсутствует электропитание	Подайте питание на инструмент и пылесос.
	Большое расстояние между инструментом и пылесосом (вне диапазона передачи).	Расположите инструмент и пылесос ближе друг к другу. Максимальное расстояние передачи составляет приблизительно 10 м, однако оно может изменяться в зависимости от обстоятельств.
Пылесос работает, хотя триггерный переключатель инструмента не был вытянут.	Радиопомехи от других приборов, которые генерируют радиоволны высокой интенсивности.	Избегайте эксплуатации инструмента и пылесоса рядом с такими приборами, как устройства Wi-Fi и микроволновые печи.
	Другие пользователи используют беспроводную активацию пылесоса с помощью своих инструментов.	Отключите кнопку беспроводной активации других инструментов или отмените регистрацию инструмента для других инструментов.

## ОБСЛУЖИВАНИЕ

**⚠ ВНИМАНИЕ:** Перед проведением проверки или работ по техобслуживанию всегда проверяйте, что инструмент выключен, а блок аккумуляторов снят.

**ПРИМЕЧАНИЕ:** Запрещается использовать бензин, растворители, спирт и другие подобные жидкости. Это может привести к обесцвечиванию, деформации и трещинам.

Для обеспечения БЕЗОПАСНОСТИ и НАДЕЖНОСТИ оборудования ремонт, любое другое техобслуживание или регулировку необходимо производить в уполномоченных сервис-центрах Makita или сервис-центрах предприятия с использованием только сменных частей производства Makita.

## Замена фильтра корпуса для сбора пыли

### Дополнительные принадлежности

- Снимите корпус для сбора пыли при нажатии рычага корпуса.  
► **Рис.55:** 1. Рычаг
- Чтобы снять крышку фильтра, вставьте плоскую отвертку в прорези крышки фильтра.  
► **Рис.56:** 1. Плоская отвертка 2. Крышка фильтра
- Снимите фильтр с корпуса фильтра.  
► **Рис.57:** 1. Фильтр 2. Корпус фильтра
- Установите новый фильтр в корпус фильтра, затем установите крышку фильтра.
- Закройте крышку корпуса для сбора пыли и прикрепите контейнер для сбора пыли к системе пылеулавливания.

## Замена уплотнительной крышки

### Дополнительные принадлежности

- Износ уплотнительной крышки ухудшает процесс сбора пыли. При износе замените ее. Снимите уплотнительную крышку, затем установите новую крышку выступом вверх.  
► **Рис.58:** 1. Выступ 2. Уплотнительная крышка

# ДОПОЛНИТЕЛЬНЫЕ ПРИНАДЛЕЖНОСТИ

**⚠ ВНИМАНИЕ:** Данные принадлежности или приспособления рекомендуются для использования с инструментом Makita, указанным в настоящем руководстве. Использование других принадлежностей или приспособлений может привести к получению травмы. Используйте принадлежность или приспособление только по указанному назначению.

Если вам необходимо содействие в получении дополнительной информации по этим принадлежностям, свяжитесь с вашим сервис-центром Makita.

- Головки сверла с твердосплавной пластиной (головки сверла с твердосплавной пластиной SDS-Plus)
- Колонковое долото
- Пирамидальное долото
- Колонковое алмазное долото
- Слесарное зубило
- Резец
- Канавочное зубило
- Переходник патрона
- Сверлильный патрон без ключа
- Смазка сверла
- Глубиномер
- Груша для продувки
- Колпак для пыли
- Колпак для пыли в сборе
- Комплект крюков
- Комплект пылезащитных кожухов
- Комплект сверлильных патронов
- Комплект фильтров
- Комплект держателей инструмента
- Комплект соединений
- Система пылеулавливания
- Беспроводной блок
- Оригинальный аккумулятор и зарядное устройство Makita
- Защитные очки
- Пластмассовый чемодан для переноски

**ПРИМЕЧАНИЕ:** Некоторые элементы списка могут входить в комплект инструмента в качестве стандартных приспособлений. Они могут отличаться в зависимости от страны.





**Makita Europe N.V.** Jan-Baptist Vinkstraat 2,  
3070 Kortenberg, Belgium

**Makita Corporation** 3-11-8, Sumiyoshi-cho,  
Anjo, Aichi 446-8502 Japan

[www.makita.com](http://www.makita.com)

885753B985  
EN, SV, NO, FI, DA,  
LV, LT, ET, RU  
20191122