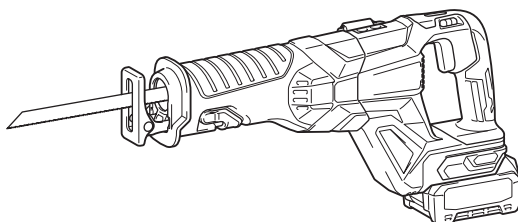




<b>EN</b>	Cordless Recipro Saw	INSTRUCTION MANUAL	4
<b>SV</b>	Batteridrivnen tigersåg	BRUKSANVISNING	10
<b>NO</b>	Batteridrevet bajonetsag	BRUKSANVISNING	16
<b>FI</b>	Akkukäyttöinen puukkosaha	KÄYTTÖOHJE	22
<b>DA</b>	Akku bajonetsav	BRUGSANVISNING	28
<b>LV</b>	Bezvadu zobenzāģis	LIETOŠANAS INSTRUKCIJA	34
<b>LT</b>	Belaidis atbulinis pjūklas	NAUDOJIMO INSTRUKCIJA	40
<b>ET</b>	Juhtmeta lõikesaag	KASUTUSJUHEND	46
<b>RU</b>	Аккумуляторная сабельная пила	РУКОВОДСТВО ПО ЭКСПЛУАТАЦИИ	52

## JR001G



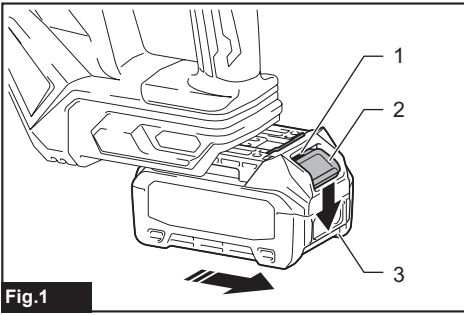


Fig.1

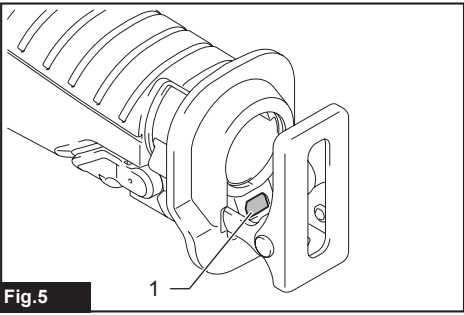


Fig.5

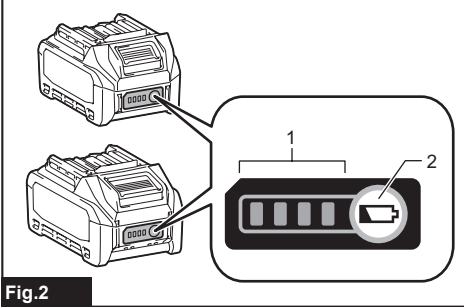


Fig.2

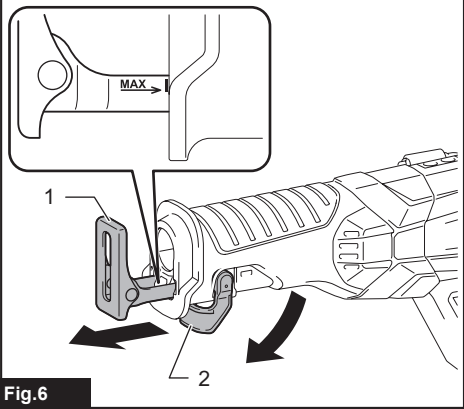


Fig.6

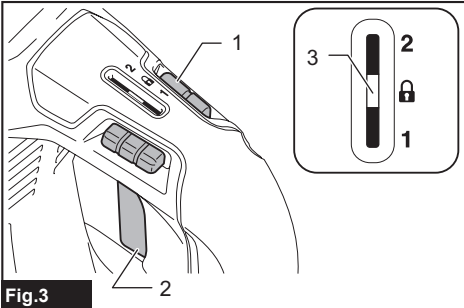


Fig.3

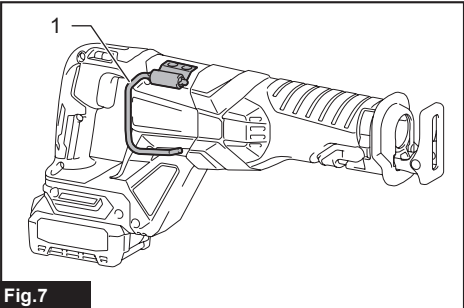


Fig.7

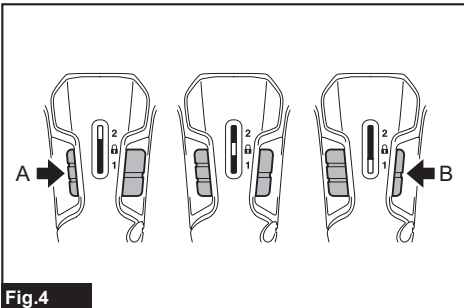


Fig.4

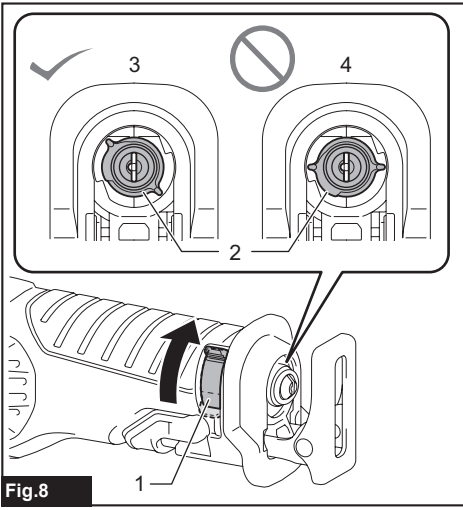


Fig.8

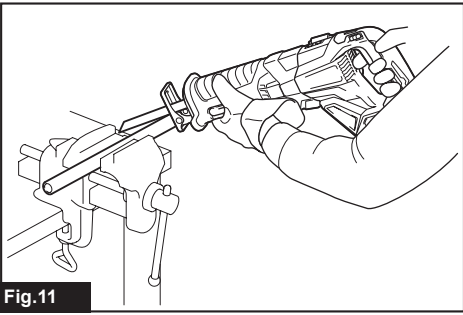


Fig.11

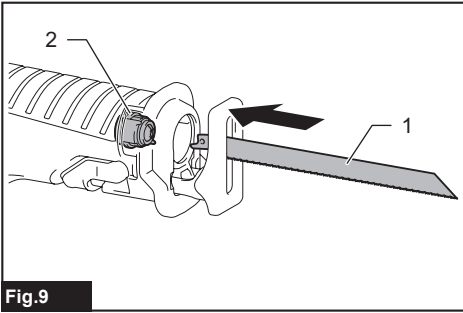


Fig.9

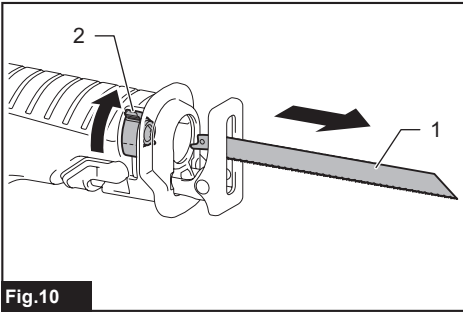


Fig.10

# SPECIFICATIONS

<b>Model:</b>		<b>JR01G</b>
Length of stroke		32 mm
Strokes per minute	High (2)	0 - 3,000 min <sup>-1</sup>
	Low (1)	0 - 2,300 min <sup>-1</sup>
Max. cutting capacities	Pipe	130 mm
	Wood	255 mm
Rated voltage		D.C. 36 V - 40 V max
Overall length	with BL4025	457 mm
	with BL4040	472 mm
Net weight		4.2 - 4.5 kg

- Due to our continuing program of research and development, the specifications herein are subject to change without notice.
- Specifications and battery cartridge may differ from country to country.
- The weight may differ depending on the attachment(s), including the battery cartridge. The lightest and heaviest combinations, according to EPTA-Procedure 01/2014, are shown in the table.

## Applicable battery cartridge and charger

Battery cartridge	BL4025 / BL4040
Charger	DC40RA

- Some of the battery cartridges and chargers listed above may not be available depending on your region of residence.

**⚠ WARNING: Only use the battery cartridges and chargers listed above.** Use of any other battery cartridges and chargers may cause injury and/or fire.

## Intended use

The tool is intended for sawing wood, plastic and ferrous materials.

## Noise

The typical A-weighted noise level determined according to EN62841-2-11:

Sound pressure level ( $L_{pA}$ ) : 85 dB(A)

Sound power level ( $L_{WA}$ ) : 96 dB (A)

Uncertainty (K) : 3 dB(A)

**NOTE:** The declared noise emission value(s) has been measured in accordance with a standard test method and may be used for comparing one tool with another.

**NOTE:** The declared noise emission value(s) may also be used in a preliminary assessment of exposure.

**⚠ WARNING: Wear ear protection.**

**⚠ WARNING:** The noise emission during actual use of the power tool can differ from the declared value(s) depending on the ways in which the tool is used especially what kind of workpiece is processed.

**⚠ WARNING:** Be sure to identify safety measures to protect the operator that are based on an estimation of exposure in the actual conditions of use (taking account of all parts of the operating cycle such as the times when the tool is switched off and when it is running idle in addition to the trigger time).

## Vibration

The vibration total value (tri-axial vector sum) determined according to EN62841-2-11:

Work mode: cutting boards

Vibration emission ( $a_{h,B}$ ) : 18.0 m/s<sup>2</sup>

Uncertainty (K) : 1.5 m/s<sup>2</sup>

Work mode: cutting wooden beams

Vibration emission ( $a_{h,WB}$ ) 19.5 m/s<sup>2</sup>

Uncertainty (K) : 2.0 m/s<sup>2</sup>

**NOTE:** The declared vibration total value(s) has been measured in accordance with a standard test method and may be used for comparing one tool with another.

**NOTE:** The declared vibration total value(s) may also be used in a preliminary assessment of exposure.

**⚠ WARNING: The vibration emission during actual use of the power tool can differ from the declared value(s) depending on the ways in which the tool is used especially what kind of workpiece is processed.**

**⚠ WARNING:** Be sure to identify safety measures to protect the operator that are based on an estimation of exposure in the actual conditions of use (taking account of all parts of the operating cycle such as the times when the tool is switched off and when it is running idle in addition to the trigger time).

## EC Declaration of Conformity

### For European countries only

The EC declaration of conformity is included as Annex A to this instruction manual.

## SAFETY WARNINGS

### General power tool safety warnings

**⚠ WARNING:** Read all safety warnings, instructions, illustrations and specifications provided with this power tool. Failure to follow all instructions listed below may result in electric shock, fire and/or serious injury.

### Save all warnings and instructions for future reference.

The term "power tool" in the warnings refers to your mains-operated (corded) power tool or battery-operated (cordless) power tool.

### Cordless reciprocating saw safety warnings

1. Hold the power tool by insulated gripping surfaces, when performing an operation where the cutting accessory may contact hidden wiring. Cutting accessory contacting a "live" wire may make exposed metal parts of the power tool "live" and could give the operator an electric shock.
2. Use clamps or another practical way to secure and support the workpiece to a stable platform. Holding the workpiece by hand or against your body leaves it unstable and may lead to loss of control.
3. Always use safety glasses or goggles. Ordinary eye or sun glasses are NOT safety glasses.
4. Avoid cutting nails. Inspect workpiece for any nails and remove them before operation.
5. Do not cut oversized workpiece.
6. Check for the proper clearance beyond the workpiece before cutting so that the blade will not strike the floor, workbench, etc.
7. Hold the tool firmly.
8. Make sure the blade is not contacting the workpiece before the switch is turned on.
9. Keep hands away from moving parts.
10. Do not leave the tool running. Operate the tool only when hand-held.
11. Always switch off and wait for the blade to come to a complete stop before removing the blade from the workpiece.
12. Do not touch the blade or the workpiece immediately after operation; they may be extremely hot and could burn your skin.
13. Do not operate the tool at no-load unnecessarily.
14. Always use the correct dust mask/respirator for the material and application you are working with.
15. Some material contains chemicals which may be toxic. Take caution to prevent dust inhalation and skin contact. Follow material supplier safety data.
16. Before operation, make sure that there is no buried object such as electric pipe, water pipe or gas pipe in the workpiece. Otherwise, the reciprocating saw blade may touch them, resulting in an electric shock, electrical leakage or gas leak.

### SAVE THESE INSTRUCTIONS.

**⚠ WARNING:** DO NOT let comfort or familiarity with product (gained from repeated use) replace strict adherence to safety rules for the subject product. MISUSE or failure to follow the safety rules stated in this instruction manual may cause serious personal injury.

### Important safety instructions for battery cartridge

1. Before using battery cartridge, read all instructions and cautionary markings on (1) battery charger, (2) battery, and (3) product using battery.
2. Do not disassemble or tamper the battery cartridge. It may result in a fire, excessive heat, or explosion.
3. If operating time has become excessively shorter, stop operating immediately. It may result in a risk of overheating, possible burns and even an explosion.
4. If electrolyte gets into your eyes, rinse them out with clear water and seek medical attention right away. It may result in loss of your eyesight.
5. Do not short the battery cartridge:
  - (1) Do not touch the terminals with any conductive material.
  - (2) Avoid storing battery cartridge in a container with other metal objects such as nails, coins, etc.
  - (3) Do not expose battery cartridge to water or rain.A battery short can cause a large current flow, overheating, possible burns and even a breakdown.
6. Do not store the tool and battery cartridge in locations where the temperature may reach or exceed 50 °C (122 °F).
7. Do not incinerate the battery cartridge even if it is severely damaged or is completely worn out. The battery cartridge can explode in a fire.
8. Do not nail, cut, crush, throw, drop the battery cartridge, or hit against a hard object to the battery cartridge. Such conduct may result in a fire, excessive heat, or explosion.
9. Do not use a damaged battery.

10. **The contained lithium-ion batteries are subject to the Dangerous Goods Legislation requirements.** For commercial transports e.g. by third parties, forwarding agents, special requirement on packaging and labeling must be observed. For preparation of the item being shipped, consulting an expert for hazardous material is required. Please also observe possibly more detailed national regulations. Tape or mask off open contacts and pack up the battery in such a manner that it cannot move around in the packaging.
11. **When disposing the battery cartridge, remove it from the tool and dispose of it in a safe place. Follow your local regulations relating to disposal of battery.**
12. **Use the batteries only with the products specified by Makita.** Installing the batteries to non-compliant products may result in a fire, excessive heat, explosion, or leak of electrolyte.
13. **If the tool is not used for a long period of time, the battery must be removed from the tool.**
14. **During and after use, the battery cartridge may take on heat which can cause burns or low temperature burns. Pay attention to the handling of hot battery cartridges.**
15. **Do not touch the terminal of the tool immediately after use as it may get hot enough to cause burns.**
16. **Do not allow chips, dust, or soil stuck into the terminals, holes, and grooves of the battery cartridge.** It may result in poor performance or breakdown of the tool or battery cartridge.
17. **Unless the tool supports the use near a high-voltage electrical power lines, do not use the battery cartridge near a high-voltage electrical power lines.** It may result in a malfunction or breakdown of the tool or battery cartridge.

## SAVE THESE INSTRUCTIONS.

**CAUTION:** Only use genuine Makita batteries. Use of non-genuine Makita batteries, or batteries that have been altered, may result in the battery bursting causing fires, personal injury and damage. It will also void the Makita warranty for the Makita tool and charger.

## Tips for maintaining maximum battery life

1. **Charge the battery cartridge before completely discharged. Always stop tool operation and charge the battery cartridge when you notice less tool power.**
2. **Never recharge a fully charged battery cartridge. Overcharging shortens the battery service life.**
3. **Charge the battery cartridge with room temperature at 10 °C - 40 °C (50 °F - 104 °F). Let a hot battery cartridge cool down before charging it.**
4. **When not using the battery cartridge, remove it from the tool or the charger.**
5. **Charge the battery cartridge if you do not use it for a long period (more than six months).**

## FUNCTIONAL DESCRIPTION

**CAUTION:** Always be sure that the tool is switched off and the battery cartridge is removed before adjusting or checking function on the tool.

### Installing or removing battery cartridge

**CAUTION:** Always switch off the tool before installing or removing of the battery cartridge.

**CAUTION:** Hold the tool and the battery cartridge firmly when installing or removing battery cartridge. Failure to hold the tool and the battery cartridge firmly may cause them to slip off your hands and result in damage to the tool and battery cartridge and a personal injury.

► Fig.1: 1. Red indicator 2. Button 3. Battery cartridge

To remove the battery cartridge, slide it from the tool while sliding the button on the front of the cartridge.

To install the battery cartridge, align the tongue on the battery cartridge with the groove in the housing and slip it into place. Insert it all the way until it locks in place with a little click. If you can see the red indicator on the upper side of the button, it is not locked completely.

**CAUTION:** Always install the battery cartridge fully until the red indicator cannot be seen. If not, it may accidentally fall out of the tool, causing injury to you or someone around you.

**CAUTION:** Do not install the battery cartridge forcibly. If the cartridge does not slide in easily, it is not being inserted correctly.

## Tool / battery protection system

The tool is equipped with a tool/battery protection system. This system automatically cuts off power to the motor to extend tool and battery life. The tool will automatically stop during operation if the tool or battery is placed under one of the following conditions:

### Overload protection

When the battery is operated in a manner that causes it to draw an abnormally high current, the tool automatically stops without any indication. In this situation, turn the tool off and stop the application that caused the tool to become overloaded. Then turn the tool on to restart.

### Overheat protection

When the tool or battery is overheated, the tool stops automatically and the lamp blinks. In this case, let the tool and battery cool before turning the tool on again.

### Overdischarge protection

When the battery capacity is not enough, the tool stops automatically and the lamp blinks. In this case, remove the battery from the tool and charge the battery.

## Indicating the remaining battery capacity

Press the check button on the battery cartridge to indicate the remaining battery capacity. The indicator lamps light up for a few seconds.

► **Fig.2:** 1. Indicator lamps 2. Check button

Indicator lamps			Remaining capacity
Lighted	Off	Blinking	
■	□	▬	75% to 100%
■ ■ ■ ■			
■ ■ ■ □			50% to 75%
■ ■ □ □			25% to 50%
■ □ □ □			0% to 25%
▬ □ □ □			Charge the battery.
■ ■ □ □			The battery may have malfunctioned.
□ □ ■ ■	↑ ↓		

**NOTE:** Depending on the conditions of use and the ambient temperature, the indication may differ slightly from the actual capacity.

## Switch action

**CAUTION:** Before installing the battery cartridge into the tool, always check to see that the switch trigger actuates properly and returns to the "OFF" position when released.

**NOTICE:** Do not use the lock/speed change lever while the tool is running. The tool may be damaged.


► **Fig.3:** 1. Lock/speed change lever 2. Switch trigger 3. Status of the lock/speed change lever

► **Fig.4**

To start the tool, depress the lock/speed change lever from either A or B side and pull the switch trigger. Tool speed is increased by increasing pressure on the switch trigger. Release the switch trigger to stop.

Max tool speed can be changed in 2 steps.

- For high speed  
When the lock/speed change lever is depressed from A side, the stroke speed is at "2".
- For low speed  
When the lock/speed change lever is depressed from B side, the stroke speed is at "1".

When the lock/speed change lever is in  position, the tool is locked and the switch trigger cannot be pulled.

## Selecting the speed

High speed is suitable for cutting soft materials such as wood. Low speed is suitable for cutting hard materials such as metal.

Material	Lock/speed change lever position	Strokes per minute
Wood ALC	2 (High speed)	0 - 3,000
Mild Steel Stainless Steel Cast Iron Aluminum Plastic	1 (Low speed)	0 - 2,300

**NOTICE:** Always use the reciprocating saw blade intended for cutting the material that you are going to cut. Especially, when cutting stainless steel or cast iron pipe, be sure to use the reciprocating saw blade exclusively designed for cutting such materials.

**NOTICE:** Depending on the materials to be cut, cutting in high speed may shorten the life of the reciprocating saw blade.

## Lighting up the front lamp

► **Fig.5:** 1. Lamp

**CAUTION:** Do not look in the light or see the source of light directly.

Pull the switch trigger to light up the lamp. The lamp keeps on lighting while the switch trigger is being pulled. The lamp goes out approximately 10 seconds after releasing the switch trigger.

**NOTE:** Use a dry cloth to wipe the dirt off the lens of the lamp. Be careful not to scratch the lens of lamp, or it may lower the illumination.



**NOTE:** When the tool is overheated, the lamp blinks for one minute. In this case, cool down the tool before another operation.

## Adjusting the shoe

When the reciprocating saw blade loses its cutting efficiency in one place along its cutting edge, reposition the shoe to utilize a sharp, unused portion of its cutting edge. This will help to lengthen the life of the reciprocating saw blade.


The position of the shoe can be adjusted in 6 levels. To reposition the shoe, open the shoe adjusting lever and select the suitable position, then close the shoe adjusting lever.

► **Fig.6:** 1. Shoe 2. Shoe adjusting lever

**NOTICE:** The shoe cannot be secured if it is extended more than the  marking of **MAX** →  stamping. Do not close the shoe adjusting lever forcibly in such a position. It may result in breakage of the lever.

**NOTE:** The shoe cannot be adjusted without opening the shoe adjusting lever fully.

## Hook

**CAUTION:** When hanging the tool, set the lock/speed change lever in  position to lock the switch trigger. (See the section titled “Switch action”.)

**CAUTION:** Never hang the tool at high or potentially unstable location.

► Fig.7: 1. Hook

The hook is convenient for hanging the tool temporarily. To use the hook, simply lift up hook until it snaps into the open position. When not in use, always lower hook until it snaps into the closed position.

## Electronic function

The tool is equipped with the electronic functions for easy operation.

## Constant speed control

The speed control function provides the constant rotation speed regardless of load conditions.

## ASSEMBLY

**CAUTION:** Always be sure that the tool is switched off and the battery cartridge is removed before carrying out any work on the tool.

## Installing or removing the reciprocating saw blade

**CAUTION:** Always clean out all chips or foreign matter adhering to the blade and around the blade clamp. Failure to do so may cause insufficient tightening of the blade, resulting in a serious injury.

To install the reciprocating saw blade, pull the release lever fully so that the blade clamp sleeve comes to the released position before inserting the reciprocating saw blade.

► Fig.8: 1. Release lever 2. Blade clamp sleeve 3. Released position 4. Fixed position

**NOTE:** Always pull the release lever fully to the end. If not, the blade clamp sleeve does not come to the released position and the reciprocating saw blade cannot be inserted.

Insert the reciprocating saw blade into the slot of the blade clamp sleeve as far as it will go. The blade clamp sleeve will catch the reciprocating saw blade with a click. Make sure that the reciprocating saw blade cannot be extracted even though you try to pull it out.

► Fig.9: 1. Reciprocating saw blade 2. Blade clamp sleeve

**CAUTION:** If you do not insert the reciprocating saw blade deep enough, the reciprocating saw blade may be ejected unexpectedly during operation. This can be extremely dangerous.

To remove the reciprocating saw blade, pull the release lever in the direction of the arrow fully.

► Fig.10: 1. Reciprocating saw blade 2. Release lever

**NOTICE:** Never operate the release lever when operating the switch trigger. Doing so may cause malfunction.

## OPERATION

**CAUTION:** Always press the shoe firmly against the workpiece during operation. If the shoe is removed or held away from the workpiece during operation, strong vibration and/or twisting will be produced, causing the blade to snap dangerously.

**CAUTION:** Always wear gloves to protect your hands from hot flying chips when cutting metal.

**CAUTION:** Be sure to always wear suitable eye protection which conforms with current national standards.

**CAUTION:** Always use a suitable coolant (cutting oil) when cutting metal. Failure to do so will cause premature blade wear.

**CAUTION:** Do not quirk the blade during cutting.

Press the shoe firmly against the workpiece. Do not allow the tool to bounce. Bring the reciprocating saw blade into light contact with the workpiece. First, make a pilot groove using a slower speed. Then use a faster speed to continue cutting.

► Fig.11

**NOTICE:** Do not cut the workpiece with the shoe away from the workpiece or without the shoe. Doing so increases the reaction force which may break the reciprocating saw blade.

## MAINTENANCE

**CAUTION:** Always be sure that the tool is switched off and the battery cartridge is removed before attempting to perform inspection or maintenance.

**NOTICE:** Never use gasoline, benzene, thinner, alcohol or the like. Discoloration, deformation or cracks may result.

To maintain product SAFETY and RELIABILITY, repairs, any other maintenance or adjustment should be performed by Makita Authorized or Factory Service Centers, always using Makita replacement parts.



# OPTIONAL ACCESSORIES

**⚠ CAUTION:** These accessories or attachments are recommended for use with your Makita tool specified in this manual. The use of any other accessories or attachments might present a risk of injury to persons. Only use accessory or attachment for its stated purpose.

If you need any assistance for more details regarding these accessories, ask your local Makita Service Center.

- Recipro saw blades
- Makita genuine battery and charger

**NOTE:** Some items in the list may be included in the tool package as standard accessories. They may differ from country to country.

## SPECIFIKATIONER

<b>Modell:</b>		<b>JR001G</b>
Slaglängd		32 mm
Slag per minut	Hög (2)	0 - 3 000 min <sup>-1</sup>
	Låg (1)	0 - 2 300 min <sup>-1</sup>
Max. kapningskapacitet	Rör	130 mm
	Trä	255 mm
Märkspänning		36 V - 40 V likström max
Total längd	med BL4025	457 mm
	med BL4040	472 mm
Nettovikt		4,2 - 4,5 kg

- På grund av vårt pågående program för forskning och utveckling kan dessa specifikationer ändras utan föregående meddelande.
- Specifikationer och batterikassett kan variera mellan olika länder.
- Vikten kan variera beroende på tillbehören, inklusive batterikassett. Den lättaste och den tyngsta kombinationen enligt EPTA-procedur 01/2014 visas i tabellen.

### Tillgänglig batterikassett och laddare

Batterikassett	BL4025/BL4040
Laddare	DC40RA

- Vissa av batterikassetterna och laddarna på listan ovan kanske inte finns tillgängliga i din region.

**⚠ VARNING:** Använd endast batterikassetter och laddare från listan ovan. Användning av andra batterikassetter och laddare kan orsaka personskada och/eller brand.

### Avsedd användning

Verktyget är avsett för sågning i trä, plast och järn.

### Buller

Den normala bullernivån för A-belastning är bestämd enligt EN62841-2-11:

Ljudtrycksnivå ( $L_{pA}$ ): 85 dB (A)

Ljudeffektnivå ( $L_{WA}$ ): 96 dB (A)

Måttolerans (K): 3 dB (A)

**OBS:** Det deklarerade bullervärdet har uppmätts i enlighet med standardtestmetoden och kan användas för jämförandet av en maskin med en annan.

**OBS:** Det deklarerade bulleremissionsvärdet kan också användas i en preliminär bedömning av exponering för vibration.

**⚠ VARNING:** Använd hörselskydd.

**⚠ VARNING:** Bulleremissionen under faktisk användning av maskinen kan skilja sig från det deklarerade värdet, beroende på hur maskinen används och särskilt vilken typ av arbetsstycke som behandlas.

**⚠ VARNING:** Var noga med att identifiera säkerhetsåtgärder för att skydda användaren, vilka är grundade på en uppskattning av graden av exponering för vibrationer under de faktiska användningsförhållandena, (ta, förutom avtryckartiden, med alla delar av användarcykeln i beräkningen, som till exempel tiden då maskinen är avstängd och när den går på tomgång).

### Vibration

Det totala vibrationsvärdet (treaxlad vektorsumma)

bestämt enligt EN62841-2-11:

Arbetsläge: skivsågning

Vibrationsemission ( $a_{h, B}$ ): 18,0 m/s<sup>2</sup>

Måttolerans (K): 1,5 m/s<sup>2</sup>

Arbetsläge: sågning av träbjälkar

Vibrationsemission ( $a_{h, WB}$ ): 19,5 m/s<sup>2</sup>

Måttolerans (K): 2,0 m/s<sup>2</sup>

**OBS:** Det deklarerade totala vibrationsvärdet har uppmätts i enlighet med standardtestmetoden och kan användas för jämförandet av en maskin med en annan.

**OBS:** Det deklarerade totala vibrationsvärdet kan också användas i en preliminär bedömning av exponering för vibration.

**⚠ VARNING:** Vibrationsemissionen under faktisk användning av maskinen kan skilja sig från det deklarerade värdet, beroende på hur maskinen används och särskilt vilken typ av arbetsstycke som behandlas.

**⚠ VARNING:** Var noga med att identifiera säkerhetsåtgärder för att skydda användaren, vilka är grundade på en uppskattning av graden av exponering för vibrationer under de faktiska användningsförhållandena, (ta, förutom avtryckartiden, med alla delar av användarcykeln i beräkningen, som till exempel tiden då maskinen är avstängd och när den går på tomgång).

## EG-försäkran om överensstämmelse

### Gäller endast inom EU

EG-försäkran om överensstämmelse inkluderas som bilaga A till denna bruksanvisning.

## SÄKERHETSVARNINGAR

### Allmänna säkerhetsvarningar för maskiner

**⚠ VARNING:** Läs alla säkerhetsvarningar, anvisningar, illustrationer och specifikationer som medföljer det här maskinen. Underlåtenhet att följa instruktionerna kan leda till elstöt, brand och/eller allvarliga personskador.

### Spara alla varningar och instruktioner för framtida referens.

Termen "maskin" som anges i varningarna hänvisar till din eldrivna maskin (sladdansluten) eller batteridrivna maskin (sladdlös).

### Säkerhetsvarningar för sladdlös tigersåg

1. Håll maskinen i de isolerade handtagen om det finns risk för att skärverktyget kan komma i kontakt med en dold elkabel. Om skärverktyget kommer i kontakt med en "strömförande" ledning blir maskinens blottlagda metalldelar "strömförande" och kan ge operatören en elektrisk stöt.
2. Använd tvingar eller en annan praktisk metod för att säkra och stödja arbetsstycket på ett stabilt underlag. Att hålla arbetsstycket i händerna eller mot kroppen ger inte tillräckligt stöd och du kan förlora kontrollen.
3. Använd alltid skyddsglasögon. Vanliga glasögon och solglasögon är INTE skyddsglasögon.
4. Undvik att säga i spik. Ta bort alla spikar i arbetsstycket innan du sågar.
5. Såga inte för stora arbetsstycken.
6. Kontrollera att det finns tillräckligt med fritt utrymme under arbetsstycket innan arbetet påbörjas så att sågbladet inte slår emot golvet, arbetsbänken etc.
7. Håll stadigt i maskinen.
8. Se till att sågbladet inte är i kontakt med arbetsstycket innan du trycker på avtryckaren.
9. Håll händerna borta från rörliga delar.
10. Lämna inte maskinen igång. Använd endast maskinen när du håller den i händerna.
11. Stäng av maskinen och vänta tills bladet stannat helt innan bladet avlägsnas från arbetsstycket.
12. Rör inte vid sågbladet eller arbetsstycket omedelbart efter avslutat arbete, eftersom de kan vara mycket heta och ge brännskador.

13. Använd inte maskinen obelastad i onödan.
14. Använd alltid andningsskydd eller skyddsmask anpassat för det material du arbetar med.
15. Vissa material kan innehålla giftiga kemikalier. Se till att du inte andas in damm eller får det på huden. Följ anvisningarna i leverantörens materialsäkerhetsblad.
16. Innan användning måste du se till att det inte finns några begravnade föremål som elrör, vattenrör eller gasrör i arbetsstycket. Annars kan tigersågbladet vidröra föremålet vilket kan leda till elstöt, elektriskt läckage eller gasläcka.

### SPARA DESSA ANVISNINGAR.

**⚠ VARNING:** GLÖM INTE att också fortsättningsvis strikt följa säkerhetsanvisningarna för maskinen även efter att du blivit van att använda den. Vid FELAKTIG HANTERING av maskinen eller om inte säkerhetsanvisningarna i denna bruksanvisning följs kan följden bli allvarliga personskador.

### Viktiga säkerhetsanvisningar för batterikassetten

1. Innan batterikassetten används ska alla instruktioner och varningsmärken på (1) batteriladdaren, (2) batteriet och (3) produkten läsas.
2. Montera inte isär eller mixtra med batterikassetten. Det kan leda till brand, överdriven värme eller explosion.
3. Om drifttiden blivit avsevärt kortare ska användningen avbrytas omedelbart. Det kan uppstå överhettning, brännskador och t o m en explosion.
4. Om du får elektrolyt i ögonen ska de sköljas med rent vatten och läkare uppsöks omedelbart. Det finns risk för att synen förloras.
5. Kortslut inte batterikassetten.
  - (1) Rör inte vid polerna med något strömförande material.
  - (2) Undvik att förvara batterikassetten tillsammans med andra metallobjekt som t.ex. spikar, mynt o.s.v.
  - (3) Skydda batteriet mot vatten och regn. En batterikortslutning kan orsaka ett stort strömflöde, överhettning, brand och maskinhaveri.
6. Förvara inte maskinen och batterikassetten på platser där temperaturen kan nå eller överstiga 50 °C.
7. Bränn inte upp batterikassetten även om den är svårt skadad eller helt utsliten. Batterikassetten kan explodera i öppen eld.
8. Spika inte i, krossa, kasta, tappa eller slå batterikassetten mot hårda föremål. Dylåka händelser kan leda till brand, överdriven värme eller explosion.
9. Använd inte ett skadat batteri.

- De medföljande litiumjonbatterierna är föremål för kraven i gällande lagstiftning för farligt gods. För kommersiella transporter (av t.ex. tredje parter som speditorsfirmor) måste de särskilda transportkrav som anges på emballaget och etiketter iakttas. För att förbereda den produkt som ska avsändas krävs att du konsulterar en expert på riskmaterial. Var också uppmärksam på att det i ditt land kan finnas ytterligare föreskrifter att följa. Tejpa över eller maskera blottade kontakter och packa batteriet på sådant sätt att det inte kan röra sig fritt i förpackningen.
- När batterikassetten ska kasseras måste den tas bort från maskinen och kasseras på ett säkert sätt. Följ lokala föreskrifter beträffande avfallshandling av batteriet.
- Använd endast batterierna med de produkter som specificerats av Makita. Att använda batterierna med ej godkända produkter kan leda till brand, överdriven värme, explosion eller utläckande elektrolyt.
- Om maskinen inte används under en lång tid måste batteriet tas bort från maskinen.
- Under och efter användning kan batterikassetten bli het vilket kan orsaka brännskador eller lättare brännskador. Var uppmärksam på hur du hanterar varma batterikassetter.
- Vidrör inte verktygets kontakter direkt efter användning eftersom de kan bli heta och orsaka brännskador.
- Låt inte flisor, damm eller smuts fastna i kontaktarna, i hål eller spår i batterikassetten. Det kan leda till dålig prestanda eller till att verktyget eller batterikassetten går sönder.
- Såvida inte verktyget stöder arbeten i närheten av högspänningsledning får batterikassetten inte användas i närheten av en högspänningsledning. Det kan leda till att verktyget eller batterikassetten går sönder eller inte fungerar korrekt.

## SPARA DESSA ANVISNINGAR.

**⚠FÖRSIKTIGT:** Använda endast äkta Makita-batterier. Användning av oäkta Makita-batterier eller batterier som har manipulerats kan leda till person- och utrustningsskador eller till att batteriet fattar eld. Det upphäver också Makitas garanti för verktyget och laddaren.

## Tips för att uppnå batteriets maximala livslängd

- Ladda batterikassetten innan den är helt urladdad. Stanna alltid maskinen och ladda batterikassetten när du märker att maskinen blir svagare.
- Ladda aldrig en fulladdad batterikassetten. Överladdning förkortar batteriets livslängd.
- Ladda batterikassetten vid en rumstemperatur på 10 °C - 40 °C. Låt en varm batterikassetten svalna innan den laddas.
- När batterikassetten inte används ska den tas bort från verktyget eller laddaren.
- Ladda batterikassetten om du inte har använt den på länge (mer än sex månader).

## FUNKTIONSBSKRIVNING

**⚠FÖRSIKTIGT:** Se alltid till att maskinen är avstängd och batterikassetten borttagen innan du justerar maskinen eller kontrollerar dess funktioner.

### Montera eller demontera batterikassetten

**⚠FÖRSIKTIGT:** Stäng alltid av maskinen innan du monterar eller tar bort batterikassetten.

**⚠FÖRSIKTIGT:** Håll stadigt i maskinen och batterikassetten när du monterar eller tar bort batterikassetten. I annat fall kan det leda till att de glider ur dina händer och orsakar skada på maskinen och batterikassetten samt personskada.

► **Fig. 1:** 1. Röd indikator 2. Knapp 3. Batterikassetten

Ta bort batterikassetten genom att skjuta ner knappen på kassetens framsida samtidigt som du drar ut batterikassetten.

Sätt i batterikassetten genom att rikta in tungan på batterikassetten mot spåret i höljet och skjut den på plats. Tryck in batterikassetten ordentligt tills den låser fast med ett klick. Om du kan se den röda indikatorn på knappens ovansida är den inte låst ordentligt.

**⚠FÖRSIKTIGT:** Sätt alltid i batterikassetten helt tills den röda indikatorn inte längre syns.

I annat fall kan den oväntat falla ur maskinen och skada dig eller någon annan.

**⚠FÖRSIKTIGT:** Montera inte batterikassetten med våld. Om kassetten inte lätt glider på plats är den felinsatt.

### Skyddssystem för maskinen/batteriet

Verktyget är utrustat med ett skyddssystem för verktyget/batteriet. Detta system bryter automatiskt strömmen till motorn för att förlänga verktygets och batteriets livslängd. Verktyget stoppar automatiskt under användningen om verktyget eller batteriet hamnar i en av följande situationer:

#### Överbelastningsskydd

Om batteriet används på ett sätt som gör att det drar onormalt mycket ström kan det stoppas automatiskt utan någon varning. När detta sker stänger du av verktyget och upphör med arbetet som gjorde att verktyget överbelastades. Starta därefter verktyget igen.

#### Överhettningsskydd

När verktyget eller batteriet överhettas stoppas det automatiskt och lampan börjar blinka. I sådant fall ska du låta verktyget och batteriet svalna innan du startar verktyget igen.

#### Överurladdningsskydd

När batterikapaciteten inte är tillräckligt stoppas maskinen automatiskt och lampan börjar blinka. I sådant fall ska batteriet tas ur maskinen och laddas.

## Indikerar kvarvarande batterikapacitet

Tryck på kontrollknappen på batterikassetten för att se kvarvarande batterikapacitet. Indikatorlamporna lyser i ett par sekunder.

► **Fig.2:** 1. Indikatorlampor 2. Kontrollknapp

Indikatorlampor			Kvarvarande kapacitet
Upplyst	Av	Blinkar	
■ ■ ■ ■	□ □ □ □	▬ ▬ ▬ ▬	75% till 100%
■ ■ ■ □	□ □ □ □	▬ ▬ ▬ ▬	50% till 75%
■ ■ □ □	□ □ □ □	▬ ▬ ▬ ▬	25% till 50%
■ □ □ □	□ □ □ □	▬ ▬ ▬ ▬	0% till 25%
▬ □ □ □	□ □ □ □	▬ ▬ ▬ ▬	Ladda batteriet.
■ ■ □ □	□ □ □ □	▬ ▬ ▬ ▬	Batteriet kan ha skadats.
□ □ □ □	□ □ □ □	▬ ▬ ▬ ▬	

**OBS:** Beroende på användningsförhållanden och den omgivande temperaturen kan indikationen skilja sig lätt från den faktiska batterikapaciteten.

## Avtryckarens funktion

**⚠ FÖRSIKTIGT:** Innan du sätter i batterikassetten i maskinen ska du kontrollera att avtryckaren fungerar och återgår till läget "OFF" när du släpper den.

**OBSERVERA:** Ändra inte lås- och hastighetsspaken när maskinen är igång. I annat fall kan maskinen skadas.

► **Fig.3:** 1. Lås- och hastighetsspak 2. Avtryckare 3. Lås- och hastighetsspakens status


► **Fig.4**

För att starta maskinen trycker du först in lås- och hastighetsspaken från antingen sida A eller B och trycker sedan in avtryckaren.

Hastigheten ökas genom att trycka hårdare på avtryckaren. Släpp avtryckaren för att stoppa maskinen.

Maxhastigheten kan ändras i 2 steg.

- För hög hastighet  
När lås- och hastighetsspaken är nedtryckt från sida A är slaghastigheten på "2".
- För låg hastighet  
När lås- och hastighetsspaken är nedtryckt från sida B är slaghastigheten på "1".

När lås- och hastighetsspaken är i -position är verktyget låst och avtryckaren kan inte tryckas ner.

## Välja hastighet

Hög hastighet är lämplig för att kapa mjuka material som trä. Låg hastighet är lämplig för att kapa hårda material som metall.

Material	Lås- och hastighetsspaksläge	Slag per minut
Trä ALC	2 (Hög hastighet)	0 - 3 000
Mjukt stål Rostfritt stål Gjutjärn Aluminium Plast	1 (Låg hastighet)	0 - 2 300

**OBSERVERA:** Använd alltid ett tigersågblad som är avsett för att skära i det avsedda materialet. Särskilt när man kapar rostfritt stål eller gjutjärnsrör måste man se till att använda ett tigersågblad som utformats exklusivt för att kapa dylika material.

**OBSERVERA:** Beroende på de material som ska kapas kan kapning vid hög hastighet förkorta tigersågbladets livslängd.

## Tända frontlampan

► **Fig.5:** 1. Lampan

**⚠ FÖRSIKTIGT:** Titta inte in i ljuset eller direkt i ljuskällan.

Tryck på avtryckaren för att tända lampan. Lampan fortsätter att lysa så länge du håller avtryckaren intryckt. Lampan slöcknar ungefär 10 sekunder efter att du har släppt avtryckaren.


**OBS:** Använd en torr trasa för att torka bort smuts från lampglaset. Var försiktig så att inte lampglaset repas eftersom ljuset då kan bli svagare.

**OBS:** Lampan blinkar i en minut när maskinen överhettas. Om så är fallet låter du maskinen svalna innan du använder den igen.

## Inställning av anslag


När en del av tigersågens sågblad blir slött justerar du anslaget för att använda en vass, oanvänd del av sågytan. Detta hjälper till att förlänga sågbladets livslängd. Anslagets position kan justeras i 6 nivåer. Justera anslaget genom att öppna anslagets justeringsspak och välj en lämplig position. Sedan stänger du justeringsspaken.

► **Fig.6:** 1. Anslag 2. Anslagets justeringsspak

**OBSERVERA:** Anslaget kan inte säkras om det är utskjutet förbi markeringen  av stämplingen <sup>MAX</sup> → 1. Stäng inte anslagets justeringsspak med kraft i sådant läge. Det finns risk för att spaken går sönder.

**OBS:** Anslaget kan inte justeras utan att öppna justeringsspaken helt.

## Krok

**⚠ FÖRSIKTIGT:** När du hänger upp verktyget ställer du in lås- och hastighetsspaken till -positionen för att låsa avtryckaren. (Se avsnittet "Avtryckarens funktion".)

**⚠ FÖRSIKTIGT:** Häng aldrig upp maskinen på hög höjd eller på platser som inte är helt stabila.

► Fig.7: 1. Krok

Kroken är en praktiskt lösning för att hänga upp verktyget temporärt.

Använd kroken genom att helt enkelt lyfta upp kroken tills den fastnar i öppet läge.

När den inte används ska du alltid sänka ner kroken tills den fastnar i stängt läge.

## Elektronisk funktion

Maskinen är utrustad med elektroniska funktioner för enkel användning.

## Konstant hastighetskontroll

Hastighetskontrollfunktionen ger en konstant rotationshastighet oavsett belastningsförhållanden.

## MONTERING

**⚠ FÖRSIKTIGT:** Se alltid till att maskinen är avstängd och batterikassetten borttagen innan du underhåller maskinen.

## Montering eller demontering av sågblad för tigersåg

**⚠ FÖRSIKTIGT:** Rensa alltid bort sågspån och främmande partiklar som sitter i bladet och/eller runt bladklämman. I annat fall finns risk för att bladet inte sitter fast ordentligt, vilket kan resultera i allvarliga skador.

För att sätta in ett nytt tigersågblad drar du helt in frikopplingsspaken så att bladklämmans hylsa kommer till frigjort läge innan du sätter in tigersågbladet.

► Fig.8: 1. Frigörings-spak 2. Bladklämmans hylsa 3. Frigjort läge 4. Låst läge

**OBS:** Dra alltid frikopplingsspaken helt till ändläget. Om man inte gör det kommer inte bladklämmans hylsa till frigjort läge och tigersågbladet kan inte skjutas in.

Skjut in tigersågbladet i spåret på bladklämmans hylsa så långt det går. Bladklämmans hylsa fångar tigersågbladet med ett klick. Kontrollera att tigersågbladet inte går att dra loss.

► Fig.9: 1. Sågblad för tigersåg 2. Bladklämmans hylsa

**⚠ FÖRSIKTIGT:** Om du inte skjuter in sågbladet för tigersåg helt kan sågbladet lossa oväntat under sågningen. Det kan vara extremt farligt.

När du ska ta bort tigersågbladet vrid du frigörings-spaken helt i pilens riktning.

► Fig.10: 1. Sågblad för tigersåg 2. Frigörings-spak

**OBSERVERA:** Använd aldrig frigörings-spaken samtidigt som du använder avtryckaren. Att göra detta kan orsaka fel.

## ANVÄNDNING

**⚠ FÖRSIKTIGT:** Tryck alltid anslaget mot arbetsstycket vid användning. Om anslaget tas bort eller hålles borta från arbetsstycket under användning kan starka vibrationer och/eller vridning uppstå, vilket leder till att bladet hugger på ett farligt sätt.

**⚠ FÖRSIKTIGT:** Bär alltid handskar för att skydda dina händer från metallspån.

**⚠ FÖRSIKTIGT:** Använd alltid skyddsglasögon enligt gällande föreskrifter.

**⚠ FÖRSIKTIGT:** Använd alltid ett lämpligt kylmedel (skärolja) vid metallsågning. Utan kylning förlorar bladet skärpan i förtid.

**⚠ FÖRSIKTIGT:** Rör inte bladet i sidled under sågning.

Tryck anslaget ordentligt mot arbetsstycket. Maskinen får inte studsas. Låt sågbladet för tigersåg få lätt kontakt med arbetsstycket. Börja säga i låg hastighet. Försätt sedan säga i en snabbare hastighet.

► Fig.11

**OBSERVERA:** Kapa inte arbetsstycket med anslaget borta från arbetsstycket eller utan anslaget. Att göra det ökar reaktionskraften vilket kan bryta av tigersågbladet.

## UNDERHÅLL

**⚠ FÖRSIKTIGT:** Se alltid till att maskinen är avstängd och batterikassetten borttagen innan inspektion eller underhåll utförs.

**OBSERVERA:** Använd inte bensen, förtunningsmedel, alkohol eller liknande. Missfärgning, deformation eller sprickor kan uppstå.

För att upprätthålla produktens SÄKERHET och TILLFÖRLITLIGHET bör allt underhålls- och justeringsarbete utföras av ett auktoriserat Makita servicecenter och med reservdelar från Makita.

# VALFRIA TILLBEHÖR

**⚠ FÖRSIKTIGT:** Följande tillbehör eller tillsatser rekommenderas för användning med den Makita-maskin som denna bruksanvisning avser. Om andra tillbehör eller tillsatser används kan det uppstå risk för personskador. Använd endast tillbehören eller tillsatserna för de syften de är avsedda för.

Kontakta ditt lokala Makita servicecenter om du behöver ytterligare information om dessa tillbehör.

- Sågblad för tigersåg
- Makitas originalbatteri och -laddare

**OBS:** Några av tillbehören i listan kan vara inkluderade i maskinpaketet som standardtillbehör. De kan variera mellan olika länder.

## TEKNISKE DATA

<b>Modell:</b>		<b>JR001G</b>
Slaglengde		32 mm
Slag per minutt	Høy (2)	0 – 3 000 min <sup>-1</sup>
	Lav (1)	0 – 2 300 min <sup>-1</sup>
Maks. skjærekapasitet	Rør	130 mm
	Tre	255 mm
Merkespenning		DC 36 V – 40 V maks.
Total lengde	med BL4025	457 mm
	med BL4040	472 mm
Nettovekt		4,2 - 4,5 kg

- På grunn av vårt kontinuerlige forsknings- og utviklingsprogram kan spesifikasjonene som oppgis i dette dokumentet endres uten varsel.
- Spesifikasjoner og batteriinnsett kan variere fra land til land.
- Vekten kan variere avhengig av tilbehøret/tilbehørene, inkludert batteriet. Den letteste og tyngste kombinasjonen, i henhold til EPTA-prosedyre 01/2014, vises i tabellen.

### Passende batteri og lader

Batteriinnsett	BL4025 / BL4040
Lader	DC40RA

- Noen av batteriene og laderne som er opplistet ovenfor er kanskje ikke tilgjengelige, avhengig av hvor du bor.

**⚠ ADVARSEL:** Bruk kun de batteriene og laderne som er opplistet ovenfor. Bruk av andre batterier og ladere kan føre til personskader og/eller brann.

### Riktig bruk

Maskinen er beregnet på saging i tre, plast og jernholdige materialer.

### Støy

Typisk A-vektet lydtrykknivå er bestemt i henhold til EN62841-2-11: Lydtrykknivå ( $L_{pA}$ ) : 85 dB (A)  
Lydeffektnivå ( $L_{WA}$ ) : 96 dB (A)  
Usikkerhet (K): 3 dB (A)

**MERK:** Den/de oppgitte verdien(e) for genererte vibrasjoner har blitt målt i henhold til standard testmetoder, og kan bli brukt til å sammenligne ett verktøy med et annet.

**MERK:** Den/de angitte verdien(e) for de genererte vibrasjonene kan også brukes til en foreløpig vurdering av eksponeringen.

**⚠ ADVARSEL:** Bruk hørselsvern.

**⚠ ADVARSEL:** De genererte vibrasjonene ved faktisk bruk av elektroverktøyet kan avvike fra den/de angitte vibrasjonsverdien(e), avhengig av hvordan verktøyet brukes.

**⚠ ADVARSEL:** Sørg for å identifisere vernetiltak for å beskytte operatøren, som er basert på et estimat av eksponeringen under de faktiske bruksforholdene (idet det tas hensyn til alle deler av driftssyklusen, dvs. hvor lenge verktøyet er slått av, hvor lenge det går på tomgang og hvor lenge startbryteren faktisk holdes trykket).

### Vibrasjoner

Den totale vibrasjonsverdien (triaksial vektorsum) bestemt i henhold EN62841-2-11:  
Arbeidsmodus: Skjærebrett  
Genererte vibrasjoner ( $a_{h,B}$ ) : 18,0 m/s<sup>2</sup>  
Usikkerhet (K): 1,5 m/s<sup>2</sup>  
Arbeidsmodus: kutting av trebjelker  
Genererte vibrasjoner ( $a_{h,WB}$ ) 19,5 m/s<sup>2</sup>  
Usikkerhet (K): 2,0 m/s<sup>2</sup>

**MERK:** Den/de oppgitte verdien(e) for totalt genererte vibrasjoner har blitt målt i henhold til standard testmetoder, og kan bli brukt til å sammenligne ett verktøy med et annet.

**MERK:** Den/de angitte verdien(e) for totalt genererte vibrasjoner kan også brukes til en foreløpig vurdering av eksponeringen.

**⚠ ADVARSEL:** De genererte vibrasjonene ved faktisk bruk av elektroverktøyet kan avvike fra den/de angitte vibrasjonsverdien(e), avhengig av hvordan verktøyet brukes og spesielt i forhold til arbeidsstykket som blir behandlet.

**⚠ ADVARSEL:** Sørg for å identifisere vernetiltak for å beskytte operatøren, som er basert på et estimat av eksponeringen under de faktiske bruksforholdene (idet det tas hensyn til alle deler av driftssyklusen, dvs. hvor lenge verktøyet er slått av, hvor lenge det går på tomgang og hvor lenge startbryteren faktisk holdes trykket).



## EFs samsvarserklæring

### Gjelder kun for land i Europa

EFs samsvarserklæring er lagt til som vedlegg A i denne bruksanvisningen.

## SIKKERHETSADVARSEL

### Generelle advarsler angående sikkerhet for elektroverktøy

**⚠ ADVARSEL:** Les alle sikkerhetsadvarsler, instruksjoner, illustrasjoner og spesifikasjoner som følger med dette elektroverktøyet. Hvis ikke alle instruksjonene nedenfor følges, kan det forekomme elektrisk støt, brann og/eller alvorlig skade.

### Oppbevar alle advarsler og instruksjoner for senere bruk.

Uttrykket «elektrisk verktøy» i advarslene refererer både til elektriske verktøy (med ledning) tilkoblet strømmettet, og batteridrevne verktøy (uten ledning).

### Sikkerhetsadvarsler for trådløs bajonettsg

1. Hold maskinen i det isolerte håndtaket når skjæreverktøyet kan komme i kontakt med skjulte ledninger under arbeidet. Hvis kuttetilbehøret kommer i kontakt med «strømførende» ledninger, vil ikke isolerte metalldele av verktøyet bli strømførende og kan gi brukeren elektrisk støt.
2. Bruk klemmer eller en annen praktisk måte å sikre og støtte arbeidsstykket på en stabil plattform. Hvis du holder det med hånden eller mot kroppen, kan det være ustabil og føre til at du mister kontrollen.
3. Du må alltid bruke vernebriller eller ansiktsvern. Vanlige briller eller solbriller er IKKE vernebriller.
4. Unngå å skjære i spiker. Se etter om det er spiker i arbeidsstykket, og fjern dem før du begynner arbeidet.
5. Ikke skjær for store arbeidsstykker.
6. Sjekk at det er plass nok bak arbeidsstykket før du begynner sagingen, så ikke bladet kommer til å treffe gulvet, arbeidsbenken e.l.
7. Hold godt fast i verktøyet.
8. Forviss deg om at bladet ikke er i kontakt med arbeidsstykket før du slår på startbryteren.
9. Hold hendene unna bevegelige deler.
10. Ikke gå fra verktøyet mens det er i gang. Verktøyet må bare brukes mens operatøren holder det i hendene.
11. Før du fjerner bladet fra arbeidsstykket, må du alltid slå av sagen og vente til bladet har stoppet helt.
12. Ikke ta i bladet eller arbeidsemnet rett etter saging. De vil være ekstremt varme, og du kan brenne deg.

13. Ikke bruk maskinen uten belastning hvis det ikke er nødvendig.
14. Bruk alltid riktig støvmaske/pustemaske for det materialet og det bruksområdet du arbeider med.
15. Enkelte materialer inneholder kjemikalier som kan være giftige. Treff tiltak for å hindre hudkontakt og innånding av støv. Følg leverandørens sikkerhetsanvisninger.
16. Før bruk må du kontrollere at det ikke finnes nedgravede gjenstander som elektriske rør, vannrør eller gassrør i arbeidsstykket. Ellers kan bajonettsgbladet komme i kontakt med dem og føre til elektrisk støt, elektriske lekkasjer eller gasslekkasje.

## TA VARE PÅ DISSE INSTRUKSENE.

**⚠ ADVARSEL:** IKKE LA hensynet til hva som er "behagelig" eller det faktum at du kjenner produktet godt (etter mange gangers bruk) gjøre deg mindre oppmerksom på sikkerhetsreglene for bruken av det aktuelle produktet. Ved MISBRUK eller hvis ikke sikkerhetsreglene i denne bruksanvisningen følges, kan det oppstå alvorlig personskaade.

### Viktige sikkerhetsanvisninger for batteriinnsetts

1. Før du begynner å bruke batteriet, må du lese alle anvisninger og forsiktighetsregler på (1) batteriladeren, (2) batteriet og (3) det produktet batteriet skal brukes i.
2. Ikke demonter eller tukle batteriet. Det kan føre til brann, overoppheting eller eksplosjon.
3. Hvis driftstiden er blitt vesentlig kortere, må du omgående slutte å bruke maskinen. Hvis ikke kan resultatet bli overoppheting, mulige forbrenninger eller til og med en eksplosjon.
4. Hvis du får elektrolytt i øynene, må du skylle dem med store mengder rennende vann og oppsøke lege med én gang. Denne typen uhell kan føre til varig blindhet.
5. Ikke kortslett batteriet:
  - (1) De kan være ekstremt varme og du kan brenne deg.
  - (2) Ikke lagre batteriet i samme beholder som andre metallgjenstander, som for eksempel spiker, mynter osv.
  - (3) Ikke la batteriet komme i kontakt med vann eller regn.En kortslutning av batteriet kan føre til et kraftig strømstøt, overoppheting, mulige forbrenninger og til og med til at batteriet går i stykker.
6. Ikke lagre maskinen og batteriet på steder hvor temperaturen kan komme opp i eller overskride 50 °C.
7. Ikke sett fyr på batteriet, ikke engang om det er sterkt skadet eller helt utslitt. Batteriet kan eksplodere hvis det begynner å brenne.
8. Du må ikke spikre, skjære, klemme, kaste eller miste batteriet, og heller ikke slå en hard gjenstand mot batteriet. En slik oppførsel kan føre til brann, overoppheting eller eksplosjon.

9. **Ikke bruk batterier som er skadet.**
10. **Lithium-ion-batteriene som medfølger er gjenstand for krav om spesialavfall.**  
For kommersiell transport, f.eks av tredjeparter eller speditører, må spesielle krav om pakking og merking følges.  
Før varen blir sendt, må du forhøre deg med en ekspert på farlig materiale. Ta også hensyn til muligheten for mer detaljerte nasjonale bestemmelser.  
Bruk teip eller maskeringsteip for å skjule åpne kontakter og pakk inn batteriet på en slik måte at den ikke kan bevege seg rundt i emballasjen.
11. **Når du kasserer batteriinnsetsen, må du ta den ut av verktøyet og avhende den på et sikkert sted. Følg lokale bestemmelser for avhengig av batterier.**
12. **Bruk batteriene kun med produkter spesifisert av Makita.** Montere batteriene i produkter som ikke er konforme kan føre til brann, overheting eller elektrolyttlekkasje.
13. **Hvis verktøyet ikke skal brukes over en lengre periode, må batteriet tas ut av verktøyet.**
14. **Under og etter bruk kan batteriet bli varmt og føre til brannskader. Vær forsiktig med håndteringen av varme batterier.**
15. **Ikke berører terminalen på verktøyet rett etter bruk, da den kan bli varm og forårsake brannskader.**
16. **Ikke la spon, støv eller jord sette seg fast i terminalene, hullene og sporene i batteriet.** Det kan føre til dårlig ytelse eller at verktøyet eller batteriet slutter å fungere.
17. **Med mindre verktøyet støtter bruk nær en høyspent strømlinje, skal ikke batteriet brukes nær en høyspent strømlinje.** Det kan føre til en funksjonsfeil eller at verktøyet eller batteriet slutter å fungere.

## TA VARE PÅ DISSE INSTRUKSENE.

**⚠FORSIKTIG:** Bruk kun originale Makita-batterier. Bruk av batterier som har endret seg, eller som ikke er originale Makita-batterier, kan føre til at batteriet sprekker og forårsaker brann, personskader og andre skader. Det vil også ugyldiggjøre garantien for Makita-verktøyet og -laderen.

## Tips for å opprettholde maksimal batterilevetid

1. **Lad batteriinnsetsen før den er helt utladet. Stopp alltid driften av verktøyet og lad batteriinnsetsen når du merker at effekten reduseres.**
2. **Lad aldri en batteriinnsets som er fulladet. Overopplading forkorter batteriets levetid.**
3. **Lad batteriet i romtemperatur ved 10 °C - 40 °C. Et varmt batteri må kjøles ned før lading.**
4. **Når batteriet ikke er bruk, skal det tas ut av verktøyet eller laderen.**
5. **Lad batteriet hvis det ikke har vært brukt på en lang stund (over seks måneder).**

## FUNKSJONS BESKRIVELSE

**⚠FORSIKTIG:** Forviss deg alltid om at maskinen er slått av og batteriet tatt ut før du justerer maskinen eller kontrollerer dens mekaniske funksjoner.

### Sette inn eller ta ut batteri

**⚠FORSIKTIG:** Slå alltid av verktøyet før du setter inn eller fjerner batteriet.

**⚠FORSIKTIG:** Hold verktøyet og batteripatronen i et fast grep når du monterer eller fjerner batteripatronen. Hvis du ikke holder verktøyet og batteripatronen godt fast, kan du miste grepet, og dette kan føre til skader på verktøyet og batteripatronen samt personskader.

► **Fig. 1:** 1. Rød indikator 2. Knapp 3. Batteriinnsets

For å ta ut batteriet må du skyve på knappen foran på batteriet og trekke det ut.

Når du skal sette inn batteriet, må du plassere tungen på batteriet på linje med sporet i huset og skyve batteriet på plass. Skyv det helt inn til det går i inngrep med et lite klikk. Hvis du kan se den røde anviseren på oversiden av knappen, er det ikke fullstendig låst.

**⚠FORSIKTIG:** Batteriet må alltid settes helt inn, så langt at den røde anviseren ikke lenger er synlig. Hvis dette ikke gjøres, kan batteriet komme til å falle ut av maskinen og skade deg eller andre som oppholder seg i nærheten.

**⚠FORSIKTIG:** Ikke bruk makt når du setter i batteriet. Hvis batteriet ikke glir lett inn, er det fordi det ikke settes inn på riktig måte.

### Batterivernsystem for verktøy/batteri

Verktøyet er utstyrt med et batterivernsystem for verktøy/batteri. Dette systemet kutter automatisk strømmen til motoren for å forlenge verktøyets og batteriets levetid. Verktøyet stopper automatisk under drift hvis verktøyet eller batteriet utsettes for en av følgende tilstander:

#### Overlastsikring

Når batteriet brukes på en måte som gjør at det bruker unormalt mye strøm, vil verktøyet stoppe, helt automatisk og uten forvarsel. I dette tilfellet må du slå av verktøyet og avslutte bruken som forårsaket at verktøyet ble overbelastet. Slå deretter verktøyet på for å starte det igjen.

#### Overopphetingsvern

Når verktøyet eller batteriet er overopphetet, stanser maskinen automatisk, og lampen blinker. I dette tilfellet, la verktøyet og batteriet avkjøles før du starter verktøyet på nytt.

#### Overutladingsvern

Når batterikapasiteten ikke er tilstrekkelig, stopper verktøyet automatisk og lampen blinker. Da tar du ut batteriet fra verktøyet, og lader det.

## Indikere gjenværende batterikapasitet

Trykk på sjekk-knappen på batteriet for vise gjenværende batterikapasitet. Indikatorlampene lyser i et par sekunder.

► **Fig.2:** 1. Indikatorlamper 2. Kontrollknapp

Indikatorlamper			Gjenværende batterinivå
Tent	Av	Blinker	
■	□	▬	
■ ■ ■ ■			75 % til 100 %
■ ■ ■ □			50 % til 75 %
■ ■ □ □			25 % til 50 %
■ □ □ □			0 % til 25 %
▬ □ □ □			Lad batteriet.
■ ■ □ □			Batteriet kan ha en feil.
□ □ ■ ■	↑ ↓		

**MERK:** Det angitte nivået kan avvike noe fra den faktiske kapasiteten alt etter bruksforholdene og den omgivende temperaturen.

## Bryterfunksjon

**⚠FORSIKTIG:** Før du setter batteriet inn i maskinen, må du alltid kontrollere at startbryteren aktiverer maskinen på riktig måte og går tilbake til «AV»-stilling når den slippes.

**OBS:** Ikke bruk lås-/hastighetsvelgeren mens verktøyet er i bruk. Dette kan skade verktøyet.


► **Fig.3:** 1. Lås-/hastighetsvelger 2. Startbryter 3. Lås-/hastighetsvelgerens status

► **Fig.4**

For å starte maskinen må du trykke inn lås-/hastighetsvelgeren fra A- eller B-siden og trykke på startbryteren. Når du trykker hardere på startbryteren, øker hastigheten på verktøyet. Slipp opp bryteren for å stanse verktøyet.

Maks maskinhastighet kan endres i to trinn.

- For høy hastighet  
Når lås-/hastighetsvelgeren trykkes ned fra A-siden, er stempelhastigheten "2".
- For lav hastighet  
Når lås-/hastighetsvelgeren trykkes ned fra B-siden, er stempelhastigheten "1".

Når lås-/hastighetsvelgeren er i  posisjon, er maskinen låst, og det er ikke mulig å trekke ut startbryteren.

## Velge hastighet

Høy hastighet egner seg som å skjære i myke materialer som f.eks. tre. Lav hastighet egner seg som å skjære i harde materialer som f.eks. metall.

Materiale	Posisjon for lås-/hastighetsvelger	Slag per minutt
Tre ALC	2 (Høy hastighet)	0 - 3 000
Bløtt stål Rustfritt stål Støpejern Aluminium Plast	1 (Lav hastighet)	0 - 2 300

**OBS:** Bruk alltid bajonettsgladet som er beregnet på skjæring av materialet som du skal skjære. Særlig når du skjærer rustfritt stål eller rør i støpejern må du sørge for å bruke bajonettsgladet som er laget spesielt for skjæring av slike materialer.

**OBS:** Avhengig av materialene som skal skjæres kan bajonettsgladets levetid bli forkortet hvis du bruker høy hastighet.

## Tenne frontlampen

► **Fig.5:** 1. Lampe

**⚠FORSIKTIG:** Ikke se inn i lyset eller se direkte på lyskilden.

Trykk inn startbryteren for å tenne lampen. Lampen fortsetter å lyse så lenge startbryteren holdes inne. Lampen slukkes omtrent 10 sekunder etter at startbryteren er sluppet.

**MERK:** Bruk en tørr klut til å tørke støv osv. av lampelinsen. Vær forsiktig så det ikke blir riper i lampelinsen, da dette kan redusere lysstyrken.

**MERK:** Hvis maskinen blir overopphetet under bruk, blinker lampen i ett minutt. Hvis dette er tilfelle, kjøøl ned verktøyet før det brukes igjen.

## Justere anleggsfoten

Når bajonettsgladet er blitt slitt på et område kan man endre plasseringen av anleggsfoten for å få tilgang til et nytt område på bladet med skarpe tenner. Dette forlenger bajonettsgladets levetid.


Posisjonen til anleggsfoten kan justeres i 6 nivåer. Du kan flytte anleggsfoten ved å åpne anleggsfotens justeringsspak og velge egnet posisjon, og deretter lukke anleggsfotens justeringsspak.

► **Fig.6:** 1. Anleggsfot 2. Justeringsspak for anleggsfot

**OBS:** Skoen kan ikke sikres hvis den stikker lenger ut enn  merket. Ikke lukk justeringsspaken med makt i en slik stilling. Det kan føre til at spaken brytter.

**MERK:** Anleggsfoten kan ikke justeres uten at anleggsfotens justeringsspak åpnes helt.

## Krok

**⚠️ FORSIKTIG:** Når du henger opp kroken, skal lås-/hastighetsvelgeren være i  posisjon for at startbryteren kan velges. (Se avsnittet "Bryterfunksjon".)

**⚠️ FORSIKTIG:** Maskinen må aldri henges på et høyt eller potensielt ustabilt sted.

► Fig.7: 1. Krok

Kroken er egnet for å henge maskinen opp midlertidig. Kroken brukes ved at du løfter opp kroken til den klikker på plass i åpen posisjon.

Når den ikke er i bruk, skal kroken alltid senkes til den klikker på plass i lukket posisjon.

## Elektronisk funksjon

Maskinen er utstyrt med de elektroniske funksjonen for å gjøre den enkel å bruke.

## Konstant hastighetskontroll

Hastighetskontrollfunksjonen sørger for konstant rotasjonshastighet uavhengig av belastningsforhold.

## MONTERING

**⚠️ FORSIKTIG:** Forviss deg alltid om at maskinen er slått av og batteriet tatt ut før du utfører noe arbeid på maskinen.

## Montere eller fjerne bajonetsagbladet

**⚠️ FORSIKTIG:** Pass alltid på å fjerne flis og fremmedlegemer som kleber til bladet og rundt bladklemmen. Hvis dette ikke gjøres, kan det bli vanskelig å stramme bladet ordentlig, noe som kan resultere i alvorlige helseskader.

For å montere bajonetsagbladet trekker du utløerspaken helt, slik at bladklemmemuffen står i frigjort posisjon før du setter inn bajonetsagbladet.

► Fig.8: 1. Utløerspåk 2. Bladklemmemuffe  
3. Frigjort posisjon 4. Fast stilling

**MERK:** Utløerspaken må alltid trekkes helt til enden. Hvis ikke vil ikke bladklemmemuffen komme til frigjort posisjon og bajonetsagbladet kan ikke settes inn.

Sett bajonetsagbladet så langt inn i sporet på bladklemmemuffen til bladet så langt som det vil gå. Bladklemmemuffen vil fange the bajonetsagbladet med et klikk. Sørg for at bajonetsagbladet ikke kan trekkes ut selv om du bevisst forsøker å gjøre det.

► Fig.9: 1. Bajonetsagblad 2. Bladklemmemansjett

**⚠️ FORSIKTIG:** Hvis du ikke setter bajonetsagbladet dypt nok inn, kan det komme til å sprette ut helt uventet under saging. Dette kan være ekstremt farlig.

For å ta av bajonetsagbladet trekker du utløerspaken fullstendig i pilens retning.

► Fig.10: 1. Bajonetsagblade 2. Utløerspåk

**OBS:** Utløerspaken må aldri brukes samtidig med startbryteren. Det kan føre feilfunksjon.

## BRUK

**⚠️ FORSIKTIG:** Under arbeidet må du alltid trykke anleggsfoten godt mot arbeidsstykket. Hvis anleggsfoten fjernes eller rettes vekk fra arbeidsstykket ved drift, oppstår det sterke vibrasjoner og/eller foredreininger. Dette kan føre til at bladet låser seg fast.

**⚠️ FORSIKTIG:** Bruk alltid hansker for å beskytte hendene dine mot varmt spon når du sager i metall.

**⚠️ FORSIKTIG:** Du må alltid bruke egnede vernebriller som samsvarer med aktuelle nasjonale standarder.

**⚠️ FORSIKTIG:** Når du sager i metall, må du alltid bruke et passende kjølemiddel (en passende sagolje). Hvis du ikke gjør det, vil bladet bli slitt før tiden.

**⚠️ FORSIKTIG:** Ikke vri bladet under skjæringen.

Trykk anleggsfoten godt mot arbeidsstykket. Ikke la verktøyet hoppe. Sett bajonetsagbladet forsiktig an mot arbeidsstykket. Lag først et styrespor med lavt turtall. Bruk deretter et høyere turtall til å fortsette sagingen.

► Fig.11

**OBS:** Ikke sag i arbeidsstykket med skoen løftet fra arbeidsstykket eller uten skoen. Hvis du gjør dette, øker reaksjonskraften og dette kan ødelegge bajonetsagbladet.

## VEDLIKEHOLD

**⚠️ FORSIKTIG:** Forviss deg alltid om at maskinen er slått av og batteriet tatt ut før du foretar inspeksjon eller vedlikehold.

**OBS:** Aldri bruk gasolin, bensin, tynner alkohol eller lignende. Det kan føre til misfarging, deformering eller sprekkdannelse.

For å opprettholde produktets SIKKERHET og PÅLITELIGHET, må reparasjoner, vedlikehold og justeringer utføres av autoriserte Makita servicesentre eller fabrikk-servicesentre, og det må alltid brukes reservedeler fra Makita.

# VALGFRITT TILBEHØR

**⚠️ FORSIKTIG:** Det anbefales at du bruker dette tilbehøret eller verktøyet sammen med den Makita-maskinen som er spesifisert i denne håndboken. Bruk av annet tilbehør eller verktøy kan forårsake personskader. Tilbehør og verktøy må kun brukes til det formålet det er beregnet på.

Ta kontakt med ditt lokale Makita-servicesenter hvis du trenger mer informasjon om dette tilbehøret.

- Bajonettsagblader
- Makita originalbatteri og lader

**MERK:** Enkelte elementer i listen kan være inkludert som standardtilbehør i verktøypakken. Elementene kan variere fra land til land.

## TEKNISET TIEDOT

Malli:	JR001G	
Iskun pituus	32 mm	
Iskua minuutissa	Korkea (2)	0–3 000 min <sup>-1</sup>
	Matala (1)	0–2 300 min <sup>-1</sup>
Suurin leikkuukapasiteetti	Putki	130 mm
	Puu	255 mm
Nimellisjännite	DC 36 V – 40 V maks.	
Kokonaispituus	BL4025:n kanssa	457 mm
	BL4040:n kanssa	472 mm
Nettopaino	4,2 - 4,5 kg	

- Jatkuvasta tutkimus- ja kehitystyöstämme johtuen esitetyt tekniset tiedot saattavat muuttua ilman erillistä ilmoitusta.
- Tekniset tiedot ja akkupaketti voivat vaihdella maittain.
- Paino voi olla erilainen lisävarusteista sekä akusta johtuen. EPTA-menettelytavan 01/2014 mukaisesti, taulukossa on kuvattu kevyin ja painavin laiteyhdistelmä.

### Käytettävä akkupaketti ja laturi

Akkupaketti	BL4025/BL4040
Laturi	DC40RA

- Tiettyjä yläpuolella kuvattuja akkuja ja latureita ei ehkä ole saatavana asuinalueestasi johtuen.

**VAROITUS:** Käytä vain edellä eriteltyjä akkupaketteja ja latureita. Muiden akkupakettien ja laturien käyttäminen voi aiheuttaa loukkaantumisen ja/tai tulipalon.

### Käyttötarkoitus

Työkalu on tarkoitettu puun, muovin ja metallien sahaamiseen.

### Melutaso

Tyypillinen A-painotettu melutaso määräytyy standardin EN62841-2-11 mukaan:

Äänenpainetaso ( $L_{pA}$ ): 85 dB (A)  
 Äänen voiman taso ( $L_{WA}$ ): 96 dB (A)  
 Virhemarginaali (K): 3 dB (A)

**HUOMAA:** Ilmoitetut melutasoarvot on mitattu standarditestausmenetelmän mukaisesti ja niiden avulla voidaan vertailla työkaluja keskenään.

**HUOMAA:** Ilmoitettuja melutasoarvoja voidaan käyttää myös altistumisen alustavaan arviointiin.

**VAROITUS:** Käytä kuulosuojaimia.

**VAROITUS:** Sähkötyökalun käytön aikana mitattu melutasoarvo voi poiketa ilmoitetuista arvoista laitteen käyttötavan ja erityisesti käsiteltävän työkappaleen mukaan.

**VAROITUS:** Selvitä käyttäjän suojaamiseksi tarvittavat varoimet todellisissa käyttöolosuhteissa tapahtuvan arvioidun altistumisen mukaisesti (ottaen huomioon käyttöjakso kokonaisuudessaan, myös jaksot, joiden aikana laite on sammutettuna tai käy tyhjäkäynnillä).

### Tärinä

Kokonaistärinä (kolmen akselin vektorien summa)

määräytyy standardin EN62841-2-11 mukaan:

Työtila: levyjen sahaus  
 Tärinäpäästö ( $a_{h,B}$ ): 18,0 m/s<sup>2</sup>  
 Virhemarginaali (K): 1,5 m/s<sup>2</sup>

Työtila: puupalkkien sahaaminen

Tärinäpäästö ( $a_{h,WB}$ ): 19,5 m/s<sup>2</sup>  
 Virhemarginaali (K): 2,0 m/s<sup>2</sup>

**HUOMAA:** Ilmoitetut kokonaistärinäarvot on mitattu standarditestausmenetelmän mukaisesti ja niiden avulla voidaan vertailla työkaluja keskenään.

**HUOMAA:** Ilmoitettuja kokonaistärinäarvoja voidaan käyttää myös altistumisen alustavaan arviointiin.

**VAROITUS:** Sähkötyökalun käytön aikana mitattu todellinen tärinäpäästöarvo voi poiketa ilmoitetuista arvoista laitteen käyttötavan ja erityisesti käsiteltävän työkappaleen mukaan.

**VAROITUS:** Selvitä käyttäjän suojaamiseksi tarvittavat varoimet todellisissa käyttöolosuhteissa tapahtuvan arvioidun altistumisen mukaisesti (ottaen huomioon käyttöjakso kokonaisuudessaan, myös jaksot, joiden aikana laite on sammutettuna tai käy tyhjäkäynnillä).

## EY-vaatimustenmukaisuusvakuutus

*Koskee vain Euroopan maita*

EY-vaatimustenmukaisuusvakuutus on liitetty tähän käyttöoppaaseen.

## TURVAVAROITUKSET

### Sähkötyökalujen käyttöä koskevat yleiset varoitukset

**VAROITUS:** Tutustu kaikkiin tämän sähkötyökalun mukana toimitettuihin varoituksiin, ohjeisiin, kuviin ja teknisiin tietoihin. Seuraavassa luettujen ohjeiden noudattamatta jättäminen saattaa johtaa sähköiskuun, tulipaloon tai vakavaan vammautumiseen.

### Säilytä varoitukset ja ohjeet tulevaa käyttöä varten.

Varoituksissa käytettävällä termillä "sähkötyökalu" tarkoitetaan joko verkkovirtaa käyttävää (johdollista) työkalua tai akkukäyttöistä (johdotonta) työkalua.

### Akkukäyttöisen puukkosahan turvaohjeet

1. Kun suoritat toimenpidettä, jossa leikkaustyökalu voi joutua kosketukseen piilossa olevien johtojen kanssa, pidä kiinni työkalusta sen eristävän tarttumispinnan kohdalta. Jos leikkaustyökalu joutuu kosketukseen jännitteisen johdon kanssa, jännite voi siirtyä työkalun sähköä johtaviin metalliosiin ja aiheuttaa käyttäjälle sähköiskun.
2. Kiinnitä ja tue työkappale tukevalle alustalle puristimilla tai muulla käytännöllisellä tavalla. Työn pitäminen kädessä tai vasten vartaloa tekee sen epävakaaksi ja voi johtaa hallinnan menetykseen.
3. Käytä aina suojalaseja. Tavalliset silmä- tai aurinkolasit EIVÄT ole suojalaseja.
4. Vältä naulojen sahaamista. Tarkista, onko työkappaleessa nauloja, ja poista ne ennen käyttöä.
5. Älä leikkaa ylisuuria työkappaleita.
6. Tarkista ennen leikkaamista, että työkappaleen takana on tarpeeksi tilaa, jotta terä ei osu lattiaan, työpöytään tai vastaavaan.
7. Ota koneesta luja ote.
8. Varmista, että terä ei kosketa työkappaleita, ennen kuin painat kytkintä.
9. Pidä kädet poissa liikkuvien osien luota.
10. Älä jätä konetta käymään itseksensä. Käytä laitetta vain silloin, kun pidät sitä kädessä.
11. Sammuta laite ja odota, että terä pysähtyy täysin, aina ennen kuin irrotat terän työkappaleesta.
12. Älä kosketa terää tai työkappaleita välittömästi käytön jälkeen, sillä ne voivat olla erittäin kuumia ja saattavat polttaa ihoa.

13. Älä käytä työkalua tarpeettomasti ilman kuormaa.
14. Käytä aina työstettävän materiaalin ja käyttö-  
tarkoituksen mukaan valittua polynaamaria/  
hengityssuojainta.
15. Jotkin materiaalit sisältävät kemikaaleja, jotka voivat olla myrkyllisiä. Huolehdi siitä, että pölyn sisäänhengittäminen ja ihokosketus estetään. Noudata materiaalin toimittajan turvaohjeita.
16. Varmista ennen käyttöä, ettei työkappaleessa ole mitään upotuksia, kuten sähköjohtoja, vesiputkia tai kaasuputkia. Muutoin puukkosahanterä voi koskettaa niitä, mikä voi johtaa sähköiskuun, sähkövuotoon tai kaasuvuotoon.

### SÄILYTÄ NÄMÄ OHJEET.

**VAROITUS:** ÄLÄ anna työkalun helppokäyttöisyyden (toistuvan käytön aikaansaama) johtaa sinua vääriin turvallisuuden tunteeseen niin, että laiminlyöt työkalun turvaohjeiden noudattamisen. VÄÄRINKÄYTTÖ tai tässä käyttöohjeessa ilmoitettujen turvamääräysten laiminlyönti voi aiheuttaa vakavia henkilövahinkoja.

### Akkupakettia koskevia tärkeitä turvaohjeita

1. Ennen akun käyttöönottoa tutustu kaikkiin laturissa (1), akussa (2) ja akkukäyttöisessä tuotteessa (3) oleviin varoitusteksteihin.
2. Älä pura tai peukaloi imuria akkupakettia. Se voi johtaa tulipaloon, ylikuumenemiseen tai räjähdykseen.
3. Jos akun toiminta-aika lyhenee merkittävästi, lopeta akun käyttö. Seurauksena voi olla ylikuumeneminen, palovammoja tai jopa räjähdys.
4. Jos akunestettä pääsee silmiin, huuhtele puhtaalla vedellä ja hakeudu välittömästi lääkärin hoitoon. Akkuneuste voi aiheuttaa näön menetyksen.
5. Älä oikosulje akkua.
  - (1) Älä koske akun napoihin millään sähköä johtavalla materiaalilla.
  - (2) Vältä akun oikosulkemista äläkä säilytä akkua yhdessä muiden metalliesineiden, kuten naulojen, kolikoiden ja niin edelleen kanssa.
  - (3) Älä aseta akkua alttiiksi vedelle tai sateelle.Oikosulku voi aiheuttaa virtapiikin, ylikuumenemista, palovammoja tai laitteen rikkoontumisen.
6. Älä säilytä työkalua ja akkua paikassa, jossa lämpötila voi nousta 50 °C:een tai sitäkin korkeammaksi.
7. Älä hävitä akkua polttamalla, vaikka se olisi pahoin vaurioitunut tai täysin loppuun kulunut. Avotuli voi aiheuttaa akun räjähtämisen.
8. Älä naukaa, leikkaa, purista, heitä tai pudota akkupakettia tai iske sitä kovia esineitä vasten. Tällaiset toimet voivat johtaa tulipaloon, ylikuumenemiseen tai räjähdykseen.



9. **Älä käytä viallista akkua.**
10. **Sisältyviä litium-ioni-akkuja koskevat vaarallisten aineiden lainsäädännön vaatimukset.** Esimerkiksi kolmansien osapuolten huolintaliikkeen tulee kaupallisissa kuljetuksissa noudattaa pakkaamista ja merkintöjä koskevia erityisvaatimuksia. Lähetettävän tuotteen valmistelu edellyttää vaarallisten aineiden asiantuntijan neuvontaa. Huomioi myös mahdollisesti yksityiskohtaisemmat kansalliset määräykset  
Akun avoimet liittimet tulee suojata teipillä tai suojuksella ja pakkaaminen tulee tehdä niin, ettei akku voi liikkua pakkauksessa.
11. **Kun akkupaketti on hävitettävä, poista se laitteesta ja hävitä se turvallisesti. Hävitä akku paikallisten määräysten mukaisesti.**
12. **Käytä akkuja vain Makitan ilmoittamien tuotteiden kanssa.** Akkujen asentaminen yhteensopimattomiin tuotteisiin voi aiheuttaa tulipalon, liiallisen ylikuumentumisen, räjähdyksen tai akkunestevuotoja.
13. **Jos laitetta ei käytetä pitkään aikaan, akku on poistettava laitteesta.**
14. **Akkupaketin lämpötila voi käytön aikana ja sen jälkeen nousta niin kuumaksi, että se voi aiheuttaa palovammoja tai lieviä palovammoja. Käsittele kuumia akkupaketteja huolellisesti.**
15. **Älä kosketa työkalun liittimiä välittömästi käytön jälkeen, sillä se voi olla riittävän kuuma aiheuttamaan palovammoja.**
16. **Älä päästä lastuja, pölyä tai maata akkupaketin liittimiin, aukkoihin ja uriin.** Se voi heikentää työkalun tai akkupaketin suorituskykyä tai johtaa niiden rikkoutumiseen.
17. **Ellei työkalu tue käyttöä korkeajännitelinjojen lähellä, älä käytä akkupakettia korkeajännitelinjojen lähellä.** Se voi johtaa työkalun tai akkupaketin toimintahäiriöön tai rikkoutumiseen.

## SÄILYTÄ NÄMÄ OHJEET.

**▲HUOMIO:** Käytä vain alkuperäisiä Makita-akkuja. Muiden kuin aitojen Makita-akkujen, tai mahdollisesti muutettujen akkujen käyttö voi johtaa akun murtumiseen ja aiheuttaa tulipaloja, henkilö- ja omaisuusvahinkoja. Se mitätöi myös Makita-työkalun ja -laturin Makita-takuun.

## Vihjeitä akun käyttöiän pidentämiseksi

1. **Lataa akku ennen kuin se purkautuu täysin.** Lopeta aina työkalun käyttö ja lataa akku, jos huomaat työkalun tehon vähenevän.
2. **Älä koskaan lataa uudestaan täysin ladattua akkua.** Ylilataaminen lyhentää akun käyttöikä.
3. **Lataa akku huoneen lämpötilassa välillä 10 °C - 40 °C.** Anna kuuman akun jäähtyä ennen lataamista.
4. **Irrota akkupaketti työkalusta tai laturista, kun sitä ei käytetä.**
5. **Lataa akkupaketti, jos et käytä sitä pitkään aikaan (yli kuusi kuukautta).**

## TOIMINTOJEN KUVAUS

**▲HUOMIO:** Varmista aina ennen säätöjä ja tarkastuksia, että työkalu on sammutettu ja akkupaketti irrotettu.

### Akun asentaminen tai irrottaminen

**▲HUOMIO:** Sammuta työkalu aina ennen akun kiinnittämistä tai irrottamista.

**▲HUOMIO:** Pidä työkalusta ja akusta tiukasti kiinni, kun irrotat tai kiinnität akkua. Jos akkupaketti tai työkalu putoaa, ne voivat vaurioitua tai aiheuttaa tapaturman.

- **Kuva1:** 1. Punainen merkkivalo 2. Painike 3. Akkupaketti

Irrota akku painamalla akun etupuolella olevaa painiketta ja vetämällä akku ulos työkalusta.

Akku liitetään sovitamalla akun kieleke rungon uraan ja työntämällä se sitten paikoilleen. Työnnä akku pohjaan asti niin, että kuulet sen napsahtavan paikoilleen. Jos painikkeen yläpuolella näkyy punainen ilmaisin, akku ei ole lukkiutunut täysin paikoilleen.

**▲HUOMIO:** Työnnä akku aina pohjaan asti, niin että punainen ilmaisin ei enää näy. Jos akku ei ole kunnolla paikallaan, se voi pudota työkalusta ja aiheuttaa vammoja joko sinulle tai sivullisille.

**▲HUOMIO:** Älä käytä voimaa akun asennuksessa. Jos akku ei lii'u paikalleen helposti, se on väärässä asennossa.

### Työkalun/akun suojausjärjestelmä

Työkalu on varustettu työkalu/akun suojausjärjestelmällä. Tämä järjestelmä pidentää työkalun ja akun käyttöikää katkaisemalla automaattisesti moottorin virran. Työkalu pysähtyy automaattisesti kesken käytön, jos työkalussa tai akussa ilmenee jokin seuraavista tilanteista:

#### Ylikuormitussuoja

Kun työkalua käytetään tavalla, mikä saa sen kuluttamaan epätavallisen suuren määrän virtaa, työkalu pysähtyy automaattisesti ilman mitään merkkivaloa tai ilmaisinta. Katkaise tässä tilanteessa työkalusta virta ja lopeta ylikuormitustilan aiheuttanut käyttö. Käynnistä sitten työkalu uudelleen kytkemällä siihen virta.

#### Ylikuumentumissuoja

Työkalun ylikuumentessa se pysähtyy automaattisesti ja lamppu alkaa vilkkua. Anna silloin työkalun/akun jäähtyä, ennen kuin kytket työkaluun uudelleen virran.

#### Ylipurkautumissuoja

Jos akkukapasiteetti ei riitä, laite pysähtyy automaattisesti ja merkkivalo alkaa vilkkua. Irrota tässä tapauksessa akku laitteesta ja lataa akku.



## Akun jäljellä olevan varaustason ilmaisin

Painamalla tarkistuspainiketta saat näkyviin akun jäljellä olevan varauksen. Merkkivalot palavat muutaman sekunnin ajan.

► **Kuva2:** 1. Merkkivalot 2. Tarkistuspainike

Merkkivalot			Akussa jäljellä olevan varaus
Palaa	Pois päältä	Viikkuu	
■	□	▤	75% - 100%
■	■	■	
■	■	□	
■	□	□	
▤	□	□	
▤	□	□	
■	■	□	50% - 75%
■	■	□	25% - 50%
■	□	□	0% - 25%
▤	□	□	Lataa akku.
■	■	□	Akussa on saattanut olla toimintahäiriö.
□	□	■	

**HUOMAA:** Ilmoitettu varaustaso voi erota hieman todellisesta varaustasosta sen mukaan, millaisissa oloissa ja missä lämpötilassa laitetta käytetään.

## Kytkimen käyttäminen

**HUOMIO:** Tarkista aina ennen akkupaketin asettamista työkaluun, että liipaisinkytkin kytkeytyy oikein ja palaa ”OFF”-asentoon, kun se vapautetaan.

**HUOMAUTUS:** Älä koske lukitus-/ nopeudenvaihtovipuun, kun työkalu on käynnissä. Työkalu voi rikkoutua.

► **Kuva3:** 1. Lukitus-/nopeudenvaihtovipu 2. Liipaisinkytkin 3. Lukitus-/nopeudenvaihtovivun tila


► **Kuva4**

Voit käynnistää työkalun painamalla lukitus-/nopeudenvaihtovipua joko A- tai B-puolelta ja vetämällä liipaisinkytkimestä.

Mitä voimakkaammin liipaisinkytkintä painetaan, sitä nopeammin työkalu pyörii. Pysäytä vapauttamalla liipaisinkytkin.

Työkalun maksiminopeutta voidaan säätää kahdessa vaiheessa.

- Korkealle nopeudelle  
Kun lukitus-/nopeudenvaihtovipua painetaan puolelta A, iskunopeus on ”2”.
- Alhaiselle nopeudelle  
Kun lukitus-/nopeudenvaihtovipua painetaan puolelta B, iskunopeus on ”1”.

Kun lukitus-/nopeudenvaihto on asennossa , työkalu on lukittu ja liipaisinkytkintä ei voida vetää.

## Nopeuden valitseminen

Korkea nopeus soveltuu pehmeiden materiaalien, kuten puun, leikkaamiseen. Matala nopeus soveltuu kovien materiaalien, kuten metallin, leikkaamiseen.

Materiaali	Lukitus-/nopeudenvaihtovivun sijainti	Iskuja minuutissa
Puu ALC-betoni	2 (korkea nopeus)	0–3 000
Pehmeä teräs Ruostumaton teräs Valurauta Alumiini Muovi	1 (matala nopeus)	0–2 300

**HUOMAUTUS:** Käytä aina sahattavalle materiaalille tarkoitettua puukkosahanterää. Varsinkin ruostumattomasta teräksestä tai valuraudasta valmistettua putkea sahattaessa on tärkeää varmistaa, että käytät vain näille materiaaleille tarkoitettua puukkosahanterää.

**HUOMAUTUS:** Korkealla nopeudella leikkaaminen saattaa lyhentää puukkosahanterän käyttöikää leikkattavasta materiaalista riippuen.

## Etulampun syyttäminen

► **Kuva5:** 1. Lamppu

**HUOMIO:** Älä katso suoraan lamppuun tai valonlähteeseen.

Lamppu syttyy, kun painat liipaisinkytkintä. Lamppu palaa niin kauan kuin liipaisinkytkintä painetaan. Lamppu sammuu noin 10 sekunnin kuluttua liipaisinkytkimen vapautumisesta.

**HUOMAA:** Pyyhi lika pois linssistä kuivalla liinalla. Varo naarmuttamasta linssiä, ettei valoteho laske.

**HUOMAA:** Lamppu viikkuu minuutin ajan, jos työkalu kuumenee liikaa. Anna tässä tilanteessa työkalun jäähtyä ennen sen käyttämistä uudelleen.

## Olkahinnan säätäminen

Kun puukkosahanterän leikkausteho laskee sen leikkaavan reunan yhdestä kohdasta, vaihda kengän asentoa, niin voit käyttää leikkaavan reunan terävää, käyttämätöntä osaa. Tämä auttaa pidentämään puukkosahanterän käyttöikää.

Kengän asentoa voidaan säätää 6 vaiheessa.


Voit siirtää kengän avaamalla kengän säätövipua ja valitsemalla sopivan asennon. Sulje sen jälkeen kengän säätövipu.

► **Kuva6:** 1. Kenkä 2. Kengän säätövipu

**HUOMAUTUS:** Kenkää ei voi kiinnittää, kun se on leimauksen **MAX** → **1** merkintää **1** pidemmälle pidentettynä. Älä sulje säätövipua väkisin, kun kenkä on tällaisessa asennossa. Se voi johtaa vivun rikkoutumiseen.

**HUOMAA:** Kenkää ei voida säätää avaamatta kengän säätövipua kokonaan.

## Koukku

**⚠HUOMIO:** Kun ripustat työkalun, aseta lukitus-/nopeudenvaihtovipu asentoon , mikä lukitsee liipaisinkytkimen. (Katso osaa ”Kytkimen toiminta”.)

**⚠HUOMIO:** Älä koskaan ripusta työkalua korkealle tai mahdollisesti epävakaaaseen paikkaan.

► Kuva7: 1. Koukku

Koukku on kätevä työkalun tilapäiseen ripustamiseen. Voit käyttää koukkuja yksinkertaisesti nostamalla koukkuja ylös, kunnes se napsahtaa auki-asentoon. Kun sitä ei käytetä, paina koukku aina alas, kunnes se napsahtaa kiinni-asentoon.

## Sähköinen toiminta

Laite on varustettu sähköisillä toiminnoilla helppokäyttöisyyttä ajatellen.

## Vakionopeuden säätö

Vakionopeuden säätö mahdollistaa vakiopyörimisnopeuden kuormitusolosuhteista riippumatta.

## KOKOONPANO

**⚠HUOMIO:** Varmista aina ennen mitään työkalulle tehtäviä toimenpiteitä, että se on sammutettu ja akku irrotettu.

## Puukkosahanterän asennus tai irrotus

**⚠HUOMIO:** Puhdista aina terään ja/tai terän kiinnikkeeseen tarttuneet lastut tai vieraat aineet. Jos näin ei tehdä, terää ei ehkä voida kiristää tarpeeksi, mikä voi aiheuttaa vakavia vammoja.

Asenna puukkosahanterä vetämällä ensin vapautusvipua niin, että teränpitimen holkki asettuu vapautettuun asentoon, jolloin voit asettaa puukkosahanterän paikalleen.

► Kuva8: 1. Vapautusvipu 2. Teränpitimen holkki 3. Vapautettu asento 4. Lukittu asento

**HUOMAA:** Vedä vapautusvipu aina ääriasentoon. Muutoin teränpitimen holkki ei asetu vapautettuun asentoon eikä puukkosahanterää voida asettaa paikalleen.

Työnnä puukkosahanterä niin syväälle teränpitimen holkkiin kuin se menee. Puukkosahanterä kiinnittyy teränpitimen holkkiin naksauttaen. Varmista, että puukkosahanterä ei irtoa vedettäessä.

► Kuva9: 1. Puukkosahanterä 2. Terän kiinnitysholkki

**⚠HUOMIO:** Jos puukkosahanterää ei ole kiinnitetty tarpeeksi syväälle, se saattaa irrota yllättäen käytön aikana. Tämä voi olla hyvin vaarallista.

Irrota puukkosahanterä vetämällä terän vapautusvipu ääriasentoonsa nuolen suuntaisesti.

► Kuva10: 1. Puukkosahanterä 2. Vapautusvipu

**HUOMAUTUS:** Älä koskaan vedä vapautusvipua samanaikaisesti kuin liipaisinkytkintä painetaan. Se voi aiheuttaa toimintahäiriön.

## TYÖSKENTELY

**⚠HUOMIO:** Paina kenkä aina tiukasti työkalupalettea vasten käytön aikana. Jos kenkä irrotetaan työkalupaleesta käytön aikana, terä värisee voimakkaasti ja/tai vääntyyilee, jolloin terä napsahtaa poikki aiheuttaen vaaratilanteen.

**⚠HUOMIO:** Suojaa kätesi kuumilta lentäviltä lastuilta pitämällä käsineitä aina, kun leikkaat metallia.

**⚠HUOMIO:** Käytä aina sopivia, voimassaolevat kansalliset normit täyttyviä suojalaseja.

**⚠HUOMIO:** Käytä aina sopivaa jäähdytysainetta (leikkuunöljyä), kun leikkaat metallia. Muuten seurauksena on terän ennenaikainen kuluminen.

**⚠HUOMIO:** Älä väännä terää sahausken aikana.

Paina kenkä tiukasti työkalupalettea vasten. Älä anna työkalun pomppia. Anna puukkosahanterän koskettaa kevyesti työkalupalettea. Tee ensin ohjausura pienemällä nopeudella. Jatka sitten sahaamista suuremmalla nopeudella.

► Kuva11

**HUOMAUTUS:** Älä leikkaa työkalupalettea niin, että kenkä on pois päin työkalupaleesta, tai ilman kenkää. Se lisää vastareaktivoimaa, mikä voi johtaa puukkosahan terän rikkoutumiseen.

## KUNNOSSAPITO

**⚠HUOMIO:** Varmista aina ennen tarkastusta tai huoltoa, että työkalu on sammutettu ja akku irrotettu.

**HUOMAUTUS:** Älä koskaan käytä bensiiniä, ohenteita, alkoholia tai tms. aineita. Muutoin pinta voi halkeilla tai sen värit ja muoto voivat muuttua. Muutoin laitteeseen voi tulla värjäytyksiä, muodon vääristymiä tai halkeamia.

Tuotteen TURVALLISUUDEN ja LUOTETTAVUUDEN takaamiseksi korjaukset, muut huoltotyöt ja säädöt on teetettävä Makitan valtuutetussa huoltopisteessä Makitan varaosia käyttäen.

# LISÄVARUSTEET

**⚠HUOMIO:** Seuraavia lisävarusteita tai laitteita suositellaan käytettäväksi tässä ohjeessa kuvatun Makita-työkalun kanssa. Muiden lisävarusteiden tai laitteiden käyttö voi aiheuttaa henkilövahinkoja. Käytä lisävarusteita ja -laitteita vain niiden käyttötarkoituksen mukaisesti.

Jos tarvitset apua tai yksityiskohtaisempia tietoja seuraavista lisävarusteista, ota yhteys paikalliseen Makitan huoltoon.

- Puukkosahanterät
- Aito Makitan akku ja laturi

**HUOMAA:** Jotkin luettelossa mainitut varusteet voivat sisältyä työkalun toimitukseen vakiovarusteina. Ne voivat vaihdella maittain.

## SPECIFIKATIONER

<b>Model:</b>		<b>JR01G</b>
Slaglængde		32 mm
Antal slag pr. minut	Højt (2)	0 - 3.000 min <sup>-1</sup>
	Lavt (1)	0 - 2.300 min <sup>-1</sup>
Maks. skærekapacitet	Rør	130 mm
	Træ	255 mm
Mærkespænding		D.C. 36 V - 40 V maks.
Længde i alt	med BL4025	457 mm
	med BL4040	472 mm
Nettovægt		4,2 - 4,5 kg

- På grund af vores kontinuerlige forsknings- og udviklingsprogrammer kan hosstående specifikationer blive ændret uden varsel.
- Specifikationer og akku kan variere fra land til land.
- Vægten kan være anderledes afhængigt af tilbehøret, inklusive akkuen. Den letteste og tungeste kombination i henhold til EPTA-procedure 01/2014 er vist i tabellen.

### Anvendelig akku og oplader

Akku	BL4025 / BL4040
Oplader	DC40RA

- Nogle af de akkuer og opladere, der er angivet ovenfor, er muligvis ikke tilgængelige, afhængigt af hvilket område du bor i.

**⚠ ADVARSEL:** Brug kun de akkuer og opladere, der er angivet ovenfor. Brug af andre akkuer og opladere kan medføre personskade og/eller brand.

### Tilsigtet anvendelse

Maskinen er beregnet til savning i træ, plast og jernholdige materialer.

### Støj

Det typiske A-vægtede støjniveau bestemt i overensstemmelse med EN62841-2-11:  
 Lydtryksniveau ( $L_{pA}$ ): 85 dB (A)  
 Lydeffektniveau ( $L_{WA}$ ): 96 dB (A)  
 Usikkerhed (K): 3 dB (A)

**BEMÆRK:** De(n) angivne støjemissionsværdi(er) er målt i overensstemmelse med en standardtestmetode og kan anvendes til at sammenligne en maskine med en anden.

**BEMÆRK:** De(n) angivne støjemissionsværdi(er) kan også anvendes i en præliminær eksponeringsvurdering.

**⚠ ADVARSEL:** Bær høreværn.

**⚠ ADVARSEL:** Støjemissionen under den faktiske anvendelse af maskinen kan være forskellig fra de(n) angivne værdi(er), afhængigt af den måde hvorpå maskinen anvendes, især den type arbejdsemne der behandles.

**⚠ ADVARSEL:** Sørg for at identificere de sikkerhedsforskrifter til beskyttelse af operatøren, som er baseret på en vurdering af eksponering under de faktiske brugsforhold (med hensyntagen til alle dele i brugscyklussen, f.eks. de gange, hvor maskinen er slukket, og når den kører i tomgang i tilgift til afbrydertiden).

### Vibration

Vibrationens totalværdi (tre-aksial vektorsum) bestemt i overensstemmelse med EN62841-2-11:  
 Arbejdstilstand: skæring af plader  
 Vibrationsafgivelse ( $a_{h,B}$ ): 18,0 m/s<sup>2</sup>  
 Usikkerhed (K): 1,5 m/s<sup>2</sup>  
 Arbejdstilstand: skæring af træbjælker  
 Vibrationsafgivelse ( $a_{h,WB}$ ): 19,5 m/s<sup>2</sup>  
 Usikkerhed (K): 2,0 m/s<sup>2</sup>

**BEMÆRK:** De(n) angivne totalværdi(er) for vibration er målt i overensstemmelse med en standardtestmetode og kan anvendes til at sammenligne en maskine med en anden.

**BEMÆRK:** De(n) angivne totalværdi(er) for vibration kan også anvendes i en præliminær eksponeringsvurdering.

**⚠ ADVARSEL:** Vibrationsemissionen under den faktiske anvendelse af maskinen kan være forskellig fra de(n) angivne værdi(er), afhængigt af den måde hvorpå maskinen anvendes, især den type arbejdsemne der behandles.

**⚠ ADVARSEL:** Sørg for at identificere de sikkerhedsforskrifter til beskyttelse af operatøren, som er baseret på en vurdering af eksponering under de faktiske brugsforhold (med hensyntagen til alle dele i brugscyklussen, f.eks. de gange, hvor maskinen er slukket, og når den kører i tomgang i tilgift til afbrydertiden).

## EF-overensstemmelseserklæring

### Kun for lande i Europa

EF-overensstemmelseserklæringen er inkluderet som Bilag A i denne brugsanvisning.

## SIKKERHEDSADVARSLER

### Almindelige sikkerhedsregler for el-værktøj

**⚠ ADVARSEL:** Læs alle de sikkerhedsadvarsler, instruktioner, illustrationer og specifikationer, der følger med denne maskine. Forsømmelse af at overholde alle nedenstående instruktioner kan medføre elektrisk stød, brand og/eller alvorlig personskade.

### Gem alle advarsler og instruktioner til fremtidig reference.

Ordet "el-værktøj" i advarslerne henviser til det netforsyede (netledning) el-værktøj eller batteriforsyede (akku) el-værktøj.

### Sikkerhedsadvarsler for akku bajonetsav

1. Hold maskinen i de isolerede håndtagsflader, når der udføres et arbejde, hvor det skærende tilbehør kan komme i kontakt med skjulte ledninger. Skærende tilbehør, som kommer i kontakt med en strømførende ledning, kan bevirke, at udsatte metaldele på maskinen bliver strømførende, hvorved operatøren kan få elektrisk stød.
2. Anvend spændestykker eller en anden praktisk måde til at fastspænde og støtte arbejdsemnet til en stabil flade. Hvis arbejdsemnet holdes med hånden eller støttes mod kroppen, vil det være ustabil, hvilket kan medføre, at De mister kontrollen over det.
3. Anvend altid sikkerhedsbriller. Almindelige briller eller solbriller er IKKE det samme som sikkerhedsbriller.
4. Undgå at save i søm. Tjek arbejdsemnet for søm, og fjern dem, før arbejdet påbegyndes.
5. Sav ikke i for store arbejdsemner.
6. Tjek for tilstrækkelig frigang under arbejdsemnet, før der saves, så klingens ikke rammer gulvet, arbejdsbænken eller lignende.
7. Hold godt fast i maskinen.
8. Sørg for, at klingens ikke er i kontakt med arbejdsemnet, før der trykkes på afbryderen.
9. Hold hænderne væk fra bevægelige dele.
10. Lad ikke maskinen køre i tomgang. Anvend kun maskinen håndholdt.
11. Sluk altid, og vent, indtil klingens står helt stille, før klingens fjernes fra arbejdsemnet.
12. Rør ikke ved klingens eller arbejdsemnet umiddelbart efter anvendelse. De kan begge være meget varme og forårsage forbrænding af huden.

13. Anvend ikke maskinen unødigt uden belastning.
14. Anvend altid korrekt støvmaske/ånde-drætsvørn i henhold til det materiale og den anvendelse, De arbejder med.
15. Nogle materialer indeholder kemikalier, som kan være giftige. Vær påpasselig med at forhindre inhalering af støv og hudkontakt. Følg materiale-leverandørens sikkerhedsdata.
16. Inden betjening skal du sikre dig, at der ikke er nogen begravet genstand, såsom elrør, vandrør eller gasrør, i arbejdsemnet. Ellers kan bajonetsavklingen muligvis komme i kontakt med dem, hvilket kan resultere i elektrisk stød, ellerskade eller gaslækage.

## GEM DENNE BRUGSANVISNING.

**⚠ ADVARSEL:** LAD IKKE bekvemmelighed eller kendskab til produktet (opnået gennem gentagen brug) forhindre, at sikkerhedsforskrifterne for produktet nøje overholdes. MISBRUG eller forsømmelse af at følge de i denne brugsvejledning givne sikkerhedsforskrifter kan føre til, at De kommer alvorligt til skade.

### Vigtige sikkerhedsinstruktioner for akkuen

1. Læs alle instruktioner og advarselmærkater på (1) akku-opladeren, (2) akkuen og (3) produktet, som anvender akku.
2. Adskil eller ændr ikke akkuen. Det kan muligvis resultere i en brand, overdreven varme eller eksplosion.
3. Hold straks op med anvendelsen, hvis brugstiden er blevet stærkt afkortet. Fortsat anvendelse kan resultere i risiko for overophedning, forbrændinger og endog eksplosion.
4. Hvis De har fået elektrolytvæske i øjnene, skal De straks skylle den ud med rent vand og derefter øjeblikkeligt søge lægehjælp. I modsat fald kan De miste synet.
5. Vær påpasselig med ikke at komme til at kortslutte akkuen:
  - (1) Rør ikke ved terminalerne med noget ledende materiale.
  - (2) Undgå at opbevare akkuen i en beholder sammen med andre genstande af metal, for eksempel søm, mønter og lignende.
  - (3) Udsæt ikke akkuen for vand eller regn. Kortslutning af akkuen kan forårsage en kraftig øgning af strømmen, overophedning, mulige forbrændinger og endog værktøjstop.
6. Opbevar ikke værktøjet og akkuen på et sted, hvor temperaturen kan nå eller overstige 50 °C.
7. Lad være med at brænde akkuen, selv ikke i tilfælde, hvor den har lidt alvorlig skade eller er fuldstændig udtjent. Akkuen kan eksplodere, hvis man forsøger at brænde den.
8. Slå ikke søm i, skær ikke i, knus, kast, tab ikke akkuen og stød ikke akkuen mod en hård genstand. Sådan adfærd kan muligvis resultere i en brand, overdreven varme eller eksplosion.
9. Anvend ikke en beskadiget akku.

10. **De indbyggede litium-ion-batterier er underlagt lovkrav vedrørende farligt gods.** Ved kommerciel transport, f.eks. af tredjeparts transportselskaber, skal særlige krav til forpakning og mærkning overholdes. Ved forberedelse af udstyret til forsendelse skal du kontakte en ekspert i farligt gods. Overhold også eventuel mere detaljeret national lovgivning. Tape eller tildæk åbne kontakter, og pak batteriet på en måde, så det ikke kan flytte sig rundt i pakningen.
11. **Når akkuen bortskaffes, skal du fjerne den fra maskinen og bortskaffe den på et sikkert sted. Følg de lokale love vedrørende bortskaffelsen af batterier.**
12. **Brug kun batterierne med de produkter, som Makita specificerer.** Hvis batterierne installeres i ikke-kompatible produkter, kan det medføre brand, kraftig varme, eksplosion eller udsivning af elektrolyt.
13. **Hvis maskinen ikke skal bruges i længere tid ad gangen, skal du fjerne batteriet fra maskinen.**
14. **Akkuen kan muligvis under og efter brug være varm, hvilket kan forårsage forbrændinger eller lavtemperaturforbrændinger. Vær påpasselig med håndtering af varme akkuer.**
15. **Rør ikke terminalen på maskinen straks efter brug, da den bliver varm nok til at forårsage forbrændinger.**
16. **Sørg for at spåner, støv eller jord ikke sætter sig fast inde i terminalerne, hullerne og rillerne på akkuen.** Det kan muligvis medføre dårlig ydelse eller nedbrud af maskinen eller akkuen.
17. **Medmindre maskinen understøtter brugen i nærheden af elektriske højspændingsledninger, skal du ikke anvende akkuen i nærheden af elektriske højspændingsledninger.** Det kan muligvis medføre funktionsfejl på eller nedbrud af maskinen eller akkuen.

## GEM DENNE BRUGSANVISNING.

**⚠FORSIGTIG: Brug kun originale batterier fra Makita.** Brug af uoriginale Makita-batterier, eller batterier som er blevet ændret, kan muligvis medføre brud på batteriet, hvilket kan forårsage brand, personskade eller beskadigelse. Det ugyldiggør også Makita-garantien for Makita-maskinen og opladeren.

## Tips til opnåelse af maksimal akku-levetid

1. **Oplad akkuen, inden den er helt afladet. Stop altid værktøjet, og oplad akkuen, hvis De bemærker, at værktøjeffekten er aftagende.**
2. **Genoplad aldrig en fuldt opladet akku. Overopladning vil afkorte akkuens levetid.**
3. **Oplad akkuen ved stuetemperatur ved 10 °C - 40 °C. Lad altid en varm akku få tid til at køle af, inden den oplades.**
4. **Når du ikke anvender akkuen, skal du fjerne den fra maskinen eller opladeren.**
5. **Oplad akkuen, hvis De ikke skal bruge den i længere tid (mere end seks måneder).**

## FUNKTIONSBESKRIVELSE

**⚠FORSIGTIG: Sørg altid for at maskinen er slukket, og at akkuen er taget ud, før der udføres justering eller kontrol af funktioner på maskinen.**

### Isætning eller fjernelse af akkuen

**⚠FORSIGTIG: Sluk altid for værktøjet, før De monterer eller fjerner akkuen.**

**⚠FORSIGTIG: Hold værktøjet og akkuen fast ved montering eller fjernelse af akkuen.** Hvis De ikke holder værktøjet og akkuen fast, kan de glide ud af hænderne på Dem og forårsage beskadigelse af værktøjet og akkuen eller personskade.

► **Fig.1:** 1. Rød indikator 2. Knap 3. Akku

Akkuen fjernes ved, at De trækker den ud af værktøjet, idet De skyder knappen på forsiden af akkuen i stilling.

Akkuen monteres ved, at De sætter tungen på akkuen ud for noten i kabinettet og lader den glide på plads. Sæt den hele vejen ind, så den låses på plads med et lille klik. Hvis den røde indikator på oversiden af knappen er synlig, betyder det, at den ikke er tilstrækkeligt låst.

**⚠FORSIGTIG: Monter altid akkuen helt, indtil den røde indikator ikke længere er synlig.** Hvis dette ikke gøres, kan den falde ud af værktøjet ved et uheld, hvorved De selv eller personer i nærheden kan komme til skade.

**⚠FORSIGTIG: Brug ikke magt ved montering af akkuen.** Hvis akkuen ikke glider på plads uden problemer, betyder det, at den ikke sættes i på korrekt vis.

### Beskyttelsessystem til værktøj/batteri

Maskinen er udstyret med et beskyttelsessystem til maskinen/batteriet. Dette system afbryder automatisk strømmen til motoren for at forlænge maskinens og batteriets levetid. Maskinen stopper automatisk under brugen, hvis maskinen eller batteriet udsættes for et af følgende forhold:

### Overbelastningsbeskyttelse

Hvis batteriet bruges på en måde, der får det til at trække en unormalt høj strøm, stopper maskinen automatisk uden indikation. Sluk i så fald for maskinen, og stop den anvendelse, der medførte overbelastningen af maskinen. Tænd derefter for maskinen for at starte igen.

### Beskyttelse mod overophedning

Hvis maskinen eller batteriet er overophedet, stopper maskinen automatisk, og lampen blinker. Lad i så fald maskinen og batteriet køle ned, før der tændes for maskinen igen.

### Beskyttelse mod overafledning

Hvis batteriladningen er for lav, stopper maskinen automatisk, og lampen blinker. Tag i så fald batteriet ud af maskinen, og lad batteriet op.

## Indikation af den resterende batteriladning

Tryk på kontrolknappen på akkuen for at få vist den resterende batteriladning. Indikatorlampen lyser i nogle sekunder.

► **Fig.2:** 1. Indikatorlamper 2. Kontrolknap

Indikatorlamper			Resterende ladning
Tændt	Slukket	Blinker	
■ ■ ■ ■			75% til 100%
■ ■ ■ □			50% til 75%
■ ■ □ □			25% til 50%
■ □ □ □			0% til 25%
▬ □ □ □			Genoplad batteriet.
■ ■ □ □			Der er muligvis fejl i batteriet.
□ □ ■ ■	↑ ↓		

**BEMÆRK:** Afhængigt af brugsforholdene og den omgivende temperatur kan indikationen afvige en smule fra den faktiske ladning.

## Afbryderbetjening

**⚠FORSIGTIG:** Inden akkuen sættes i maskinen, bør De altid kontrollere, at afbryderknappen fungerer korrekt, og returnerer til "OFF"-positionen, når den slippes.

**BEMÆRKNING:** Anvend ikke låsehåndtaget/hastighedsvælgeren, mens maskinen kører. Maskinen kan blive beskadiget.

► **Fig.3:** 1. Låsehåndtag/hastighedsvælger  
2. Afbryderknop 3. Status for låsehåndtaget/hastighedsvælgeren


► **Fig.4**

For at starte maskinen skal du trykke låsehåndtaget/hastighedsvælgeren ned fra enten A- eller B-siden og derefter trække afbryderknappen.

Maskinens hastighed øges ved øget tryk på afbryderknappen. Slip afbryderknappen for at stoppe.

Maskinens maksimale hastighed kan ændres i 2 trin.

- Høj hastighed  
Når låsehåndtaget/hastighedsvælgeren trykkes ned fra A-siden, er slag-hastigheden "2".
- Lav hastighed  
Når låsehåndtaget/hastighedsvælgeren trykkes ned fra B-siden, er slag-hastigheden "1".

Når låsehåndtaget/hastighedsvælgeren er i stillingen , er maskinen låst, og afbryderknappen kan ikke trækkes.

## Valg af hastigheden

Høj hastighed er egnet til skæring af bløde materialer som fx træ. Lav hastighed er egnet til skæring af hårde materialer som fx metal.

Materiale	Position af låsehåndtag/hastighedsvælger	Antal slag pr. minut
Træ Autoklaveret letbeton	2 (Høj hastighed)	0 - 3.000
Blødt stål Rustfrit stål Støbejern Aluminium Plastik	1 (Lav hastighed)	0 - 2.300

**BEMÆRKNING:** Brug altid en bajonetsavklinge, der er beregnet til at skære i det materiale, du skal skære i. Især når der skæres i rustfrit stål- eller støbejernsrør, skal du sørge for kun at anvende den bajonetsavklinge, som er designet til skæring i sådanne materialer.

**BEMÆRKNING:** Afhængigt af de materialer som skal skæres, kan skæring med høj hastighed muligvis forkorte bajonetsavklingsens levetid.

## Tænding af lampen foran

► **Fig.5:** 1. Lampe

**⚠FORSIGTIG:** Kig aldrig direkte på lyskilden. Lad ikke lyset falde i Deres øjne.

Tryk afbryderknappen ind for at tænde for lampen. Lampen fortsætter med at lyse, så længe afbryderknappen trykkes ind. Lampen slukker omkring 10 sekunder efter at afbryderknappen er udløst.

**BEMÆRK:** Brug en tør klud til at tørre snavset af lampens linse. Pas på ikke at ride lampens linse, da dette muligvis kan dæmpe belysningen.



**BEMÆRK:** Når maskinen er overophedet, blinker lampen i et minut. Afkøl i så fald maskinen, før den anvendes igen.

## Indstilling af føringsanslaget

Når bajonetsavklingsens skærekant er nedslidt på et sted, kan du ændre føringsanslagets indstilling, så du efterfølgende kan anvende et skarpt, ubrugt sted på savklingen. Derved forlænges bajonetsavklingsens levetid.

Føringsanslagets indstilling kan justeres i 6 niveauer. For at ændre føringsanslagets indstilling skal du åbne føringsanslagets justeringshåndtag og vælge den passende indstilling og derefter lukke føringsanslagets justeringshåndtag.


► **Fig.6:** 1. Føringsanslag 2. Føringsanslagets justeringshåndtag

**BEMÆRKNING:** Føringsanslaget kan ikke fastgøres, hvis det er trukket længere ud end til -mærket på -stemplet. Undlad at lukke føringsanslagets justeringshåndtag med magt i en sådan position. Det kan medføre, at håndtaget brækker.

**BEMÆRK:** Føringsanslaget kan ikke indstilles uden at åbne føringsanslagets justeringshåndtag helt.



## Krog

**⚠FORSIGTIG:** Ved ophængning af maskinen skal låsehåndtaget/hastighedsvælgeren sættes i stillingen  for at låse afbryderknappen. (Se afsnittet "Afbryderfunktion".)

**⚠FORSIGTIG:** Ophæng aldrig maskinen på et højtliggende eller potentielt ustabilt sted.

► Fig.7: 1. Krog

Krogen er praktisk til midlertidig ophængning af maskinen. For at bruge krogen skal du blot løfte krogen, indtil den fastlåses i den åbne stilling. Når den ikke er i brug, skal du sænke krogen, indtil den fastlåses i den lukkede stilling.

## Elektronisk funktion

Maskinen er udstyret med elektroniske funktioner for nem betjening.

## Konstant hastighedskontrol

Funktionen til hastighedskontrol sørger for konstant rotationshastighed uanset belastningsforholdene.

## SAMLING

**⚠FORSIGTIG:** Sørg altid for at maskinen er slukket, og at akkuen er taget ud, før der udføres noget arbejde på maskinen.

## Montering eller afmontering af bajonetsavklingen

**⚠FORSIGTIG:** Fjern altid spån eller fremmedlegemer, der måtte klæbe til savklingen, og omkring klingefastholderen. Forsømmelse af dette kan resultere i utilstrækkelig tilspænding af savklingen, hvilket igen kan føre til alvorlig personskade.

For at installere bajonetsavklingen skal du trække udløserhåndtaget så langt det kan komme, så klingefastholdermuffen kommer i den frigjorte stilling, før bajonetsavklingen indsættes.

► Fig.8: 1. Udløserhåndtag 2. Klingefastholdermuffe 3. Frigjort stilling 4. Fastgjort stilling

**BEMÆRK:** Træk altid udløserhåndtaget helt til enden. Hvis ikke, kommer klingefastholdermuffen ikke hen til den frigjorte stilling, og bajonetsavklingen kan ikke indsættes.

Sæt bajonetsavklingen så langt som muligt ind i åbningen på klingefastholdermuffen. Klingefastholdermuffen vil fange bajonetsavklingen med et klik. Kontrollér, at bajonetsavklingen ikke kan trækkes ud, selv om dette forsøges.

► Fig.9: 1. Bajonetsavklinge 2. Klingefastholdermuffe

**⚠FORSIGTIG:** Hvis De ikke sætter bajonetsavklingen tilstrækkeligt langt ind, kan bajonetsavklingen pludselig blive skudt ud under brugen. Dette kan være ekstremt farligt.

For at afmontere bajonetsavklingen skal du trække udløserhåndtaget hele vejen i pilens retning.

► Fig.10: 1. Bajonetsavklinge 2. Udløserhåndtag

**BEMÆRKNING:** Betjen aldrig udløserhåndtaget, når afbryderknappen betjenes. Hvis du gør dette, kan det medføre funktionsfejl.

## ANVENDELSE

**⚠FORSIGTIG:** De skal altid trykke føringsanslaget fast mod arbejdsemnet under brug. Hvis føringsanslaget fjernes eller holdes væk fra arbejdsemnet under arbejdet, vil der opstå kraftig vibration og/eller vridning, hvorved klingens kan springe farligt.

**⚠FORSIGTIG:** Ved savning i metal bør De altid bære handsker for at beskytte hænderne mod flyvende, varme spåner.

**⚠FORSIGTIG:** Sørg altid for at bære passende øjenbeskyttelse, som er i overensstemmelse med de gældende nationale standarder.

**⚠FORSIGTIG:** Ved savning i metal bør De altid anvende et egnet kølemiddel (skæreolie). Hvis De ikke gør det, medfører det unødvendigt slid på savklingen.

**⚠FORSIGTIG:** Bøj ikke klingens under skæringen.

Tryk føringsanslaget fast mod arbejdsemnet. Lad ikke maskinen springe. Hold saven således, at bajonetsavklingen netop berører arbejdsemnet. Start med at lave en styrerille ved lav hastighed. Brug derefter en højere hastighed til at fortsætte snittet.

► Fig.11

**BEMÆRKNING:** Undlad at skære i arbejdsemnet, når føringsanslaget ikke er i kontakt med arbejdsemnet, eller uden føringsanslaget. Hvis du gør dette, forøges reaktionskraften, hvilket kan brække bajonetsavklingen.

## VEDLIGEHOLDELSE

**⚠FORSIGTIG:** Vær altid sikker på, at værktøjet er slukket, og at akkuen er taget ud, inden De begynder at udføre inspektion eller vedligeholdelse.

**BEMÆRKNING:** Anvend aldrig benzin, rensebensen, fortynder, alkohol og lignende. Det kan medføre misfarvning, deformation eller revner.

For at opretholde produktets SIKKERHED og PÅLIDELIGHED må reparation, vedligeholdelse eller justering kun udføres af et autoriseret Makita servicecenter eller fabrikksservicecenter med anvendelse af Makita reservedele.



# EKSTRAUDSTYR

**⚠️ FORSIGTIG:** Det følgende tilbehør og ekstraudstyr er anbefalet til brug med Deres Makita maskine, der er beskrevet i denne brugsanvisning. Anvendelse af andet tilbehør eller ekstraudstyr kan udgøre en risiko for personskade. Anvend kun tilbehør og ekstraudstyr til det beskrevne formål.

Hvis De behøver hjælp ved valg af tilbehør eller ønsker yderligere informationer, bedes De kontakte Deres lokale Makita servicecenter.

- Bajonetsavklinger
- Original Makita-akku og oplader

**BEMÆRK:** Nogle ting på denne liste kan være inkluderet i værktøjspakken som standardtilbehør. Det kan være forskellige fra land til land.

## SPECIFIKĀCIJAS

<b>Modelis:</b>		<b>JR001G</b>
Gājienu garums		32 mm
Gājienu skaits minūtē	Liels (2)	0–3 000 min <sup>-1</sup>
	Mazs (1)	0–2 300 min <sup>-1</sup>
Maks. grieztspēja	Caurule	130 mm
	Koks	255 mm
Nominālais spriegums		Līdzstrāva 36 V–40 V maks.
Kopējais garums	ar BL4025	457 mm
	ar BL4040	472 mm
Neto svars		4,2 - 4,5 kg

- Nepārtrauktās izpētes un izstrādes programmas dēļ šeit uzrādītās specifikācijas var tikt mainītas bez brīdinājuma.
- Specifikācijas un akumulatora kasetne var atšķirties dažādās valstīs.
- Svars var būt atšķirīgs atkarībā no papildierīces (-ēm), tostarp akumulatora kasetnes. Tabulā ir attēlota vieglākā un smagākā kombinācija atbilstoši EPTA procedūrai 01/2014.

### Piemērotā akumulatora kasetne un lādētājs

Akumulatora kasetne	BL4025/BL4040
Lādētājs	DC40RA

- Daži no iepriekš norādītajiem lādētājiem un akumulatora kasetnēm var nebūt pieejami atkarībā no jūsu mītnes reģiona.

**▲BRĪDINĀJUMS:** Izmantojiet vienīgi iepriekš norādītās akumulatora kasetnes un lādētājus. Cita tipa akumulatora kasetņu un lādētāju izmantošana var radīt traumu un/vai aizdegšanās risku.

### Paredzētā lietošana

Šis darbarīks ir paredzēts koka, plastmasas un dzelzs materiālu zāģēšanai.

### Trokšņa līmenis

Tipiskais A svērtais trokšņa līmenis noteikts saskaņā ar EN62841-2-11:

Skaņas spiediena līmeni ( $L_{pA}$ ): 85 dB (A)

Skaņas jaudas līmeni ( $L_{WA}$ ): 96 dB (A)

Mainīgums (K): 3 dB (A)

**PIEZĪME:** Paziņotā trokšņa emisijas vērtība noteikta atbilstoši standarta pārbaudes metodei, un to var izmantot, lai salīdzinātu vienu darbarīku ar citu.

**PIEZĪME:** Paziņoto trokšņa emisijas vērtību var izmantot iedarbības sākotnējā novērtējumā.

**▲BRĪDINĀJUMS:** Lietojiet ausu aizsargus.

**▲BRĪDINĀJUMS:** Trokšņa emisija patiesos darba apstākļos var atšķirties no paziņotās vērtības atkarībā no darbarīka izmantošanas veida un jo īpaši atkarībā no apstrādājamā materiāla veida.

**▲BRĪDINĀJUMS:** Lai aizsargātu lietotāju, nosakiet drošības pasākumus, kas pamatoti ar iedarbību reālos darba apstākļos (ņemot vērā visus ekspluatācijas cikla posmus, piemēram, laiku, kamēr darbarīks ir izslēgts un kad darbojas tukšgaitā, kā arī palaides laiku).

### Vibrācija

Vibrācijas kopējā vērtība (trīsasu vektora summa)

noteikta atbilstoši EN62841-2-11:

Darba režīms: plātņu zāģēšana

Vibrācijas emisija ( $a_{h,B}$ ): 18,0 m/s<sup>2</sup>

Mainīgums (K): 1,5 m/s<sup>2</sup>

Darba režīms: koka baļķu zāģēšana

Vibrācijas emisija ( $a_{h,WB}$ ): 19,5 m/s<sup>2</sup>

Mainīgums (K): 2,0 m/s<sup>2</sup>

**PIEZĪME:** Paziņotā kopējā vibrācijas vērtība noteikta atbilstoši standarta pārbaudes metodei, un to var izmantot, lai salīdzinātu vienu darbarīku ar citu.

**PIEZĪME:** Paziņoto kopējo vibrācijas vērtību arī var izmantot iedarbības sākotnējā novērtējumā.

**▲BRĪDINĀJUMS:** Vibrācijas emisija patiesos darba apstākļos var atšķirties no paziņotās vērtības atkarībā no darbarīka izmantošanas veida un jo īpaši atkarībā no apstrādājamā materiāla veida.

**▲BRĪDINĀJUMS:** Lai aizsargātu lietotāju, nosakiet drošības pasākumus, kas pamatoti ar iedarbību reālos darba apstākļos (ņemot vērā visus ekspluatācijas cikla posmus, piemēram, laiku, kamēr darbarīks ir izslēgts un kad darbojas tukšgaitā, kā arī palaides laiku).

## EK atbilstības deklarācija

### Tikai Eiropas valstīm

EK atbilstības deklarācija šajā lietošanas rokasgrāmatā ir iekļauta kā A pielikums.

## DROŠĪBAS BRĪDINĀJUMI

### Vispārīgi elektrisko darbarīku drošības brīdinājumi

**▲BRĪDINĀJUMS:** Izlasiet visus drošības brīdinājumus, instrukcijas, apskatiet ilustrācijas un tehnikos datus, kas iekļauti mehānizētā darbarīka komplektācijā. Ja netiek ievēroti visi tālāk minētie noteikumi, var tikt izraisīta elektrotrauma, notikt aizdegšanās un/vai rasties smagas traumas.

### Glabājiet visus brīdinājumus un norādījumus, lai varētu tajos ieskatīties turpmāk.

Termins „elektrisks darbarīks” brīdinājumos attiecas uz tādu elektrisko darbarīku, ko darbina ar elektrību (ar vadu), vai tādu, ko darbina ar akumulatoru (bez vada).

### Drošības brīdinājumi bezvadu zobenzāģa lietošanai

1. Strādājot turiet mehānisko darbarīku aiz izolētām satveršanas virsmām, ja griešanas darbarīks varētu saskarties ar neredzamu elektroinstalāciju. Griezējinstrumentam saskaroties ar vadu zem sprieguma, spriegums var tikt pārņests uz mehāniskā darbarīka metāla daļām, un, iespējams, radīt operatoram elektrotraumu.
2. Izmantojot skavas vai citā praktiskā veidā nostipriniet un atbalstiet apstrādājamo materiālu pret stabili platformu. Turot materiālu ar roku vai pie sava ķermeņa, tas ir nestabilā stāvoklī, un jūs varat zaudēt kontroli pār to.
3. Vienmēr lietojiet aizsargbrilles. Parastās brilles vai saulesbrilles NAV aizsargbrilles.
4. Negrieziet naglas. Pirms sākt darbu pārbaudiet, vai apstrādājamajā materiālā nav naglas, un tās izņemiet.
5. Negrieziet pārāk lielu apstrādājamo materiālu.
6. Pirms griešanas pārbaudiet, vai starp apstrādājamo materiālu ir pietiekams attālums, lai asmens nepieskartos grīdai, darbapaldam u.c.
7. Darbarīku turiet cieši.
8. Pirms slēdža ieslēgšanas pārliecinieties, vai asmens nepieskaras apstrādājamajam materiālam.
9. Netuviniet rokas kustīgajām daļām.
10. Neatstājiet darbarīku ieslēgtu. Darbiniet darbarīku vienīgi tad, ja turat to rokās.
11. Pirms asmens izņemšanas no apstrādājamā materiāla vienmēr izslēdziet darbarīku un pagaidiet, kamēr asmens pilnībā apstājas.
12. Nepieskarieties asmenim vai apstrādājamajam materiālam tūlīt pēc darba veikšanas; tie var būt ļoti karsti un var apdedzināt ādu.
13. Lieki nedarbiniet darbarīku bez slodzes.

14. Vienmēr izmantojiet materiālam un konkrētām gadījumam piemērotu putekļu masku/respiratoru.
15. Daži materiāli satur ķīmiskas vielas, kuras var būt toksiskas. Izvairieties no putekļu ieelpošanas un to nokļūšanas uz ādas. Ievērojiet materiāla piegādātāja drošības datus.
16. Pirms darba uzsākšanas pārliecinieties, vai darbības zonā nav aprakts kāds objekts, piemēram, elektriskā caurule, ūdens caurule vai gāzes caurule. Citādi zobenzāģa asmens var aizskart tos, un rezultātā var veidoties elektriskās strāvas trieciens, nevēlama elektriskās strāvas izplatīšanās vai gāzes noplūde.

## SAGLABĀJIET ŠOS NORĀDĪJUMUS.

**▲BRĪDINĀJUMS:** NEPIELĀUJIET to, ka labu iemaņu vai izstrādājuma labas pārzināšanas (darbarīku atkārtoti ekspluatējot) rezultātā vairs stingri neievērojat šīs izstrādājuma drošības noteikumus. NEPAREIZI LIETOJOT darbarīku vai neievērojot šajā instrukciju rokasgrāmatā minētos drošības noteikumus, var tikt gūtas smagas traumas.

## Svarīgi drošības norādījumi par akumulatora kasetni

1. Pirms akumulatora lietošanas izlasiet visus norādījumus un brīdinājumus, kuri attiecas uz (1) akumulatora lādētāju, (2) akumulatoru un (3) ierīci, kurā tiek izmantots akumulators.
2. Akumulatora kasetni nedrīkst ne pārveidot, ne izjaukt. Citādi var tikt izraisīta aizdegšanās, pārmērīgs karstums vai sprādziens.
3. Ja akumulatora darbības laiks kļūva ievērojami īsāks, nekavējoties pārtrauciet to izmantot. Citādi, tas var izraisīt pārkarsējumu, uzliesmojumu vai pat sprādzienu.
4. Ja elektrolīts nonāk acīs, izskalojiet tās ar tīru ūdens un nekavējoties griezieties pie ārsta. Tas var izraisīt redzes zaudēšanu.
5. Neradiet īssavienojumu akumulatora kasetnē:
  - (1) Nepieskarieties spailēm ar elektrību vadošiem materiāliem.
  - (2) Neuzglabājiet akumulatoru kasetni kopā ar citiem metāla priekšmetiem, tādiem kā naglas, monētas u. c.
  - (3) Nepakļaujiet akumulatora kasetni ūdens vai lietus iedarbībai.Akumulatora īssavienojums var radīt spēcīgu strāvas plūsmu, pārkaršanu, uzliesmojumu un pat sabojāt akumulatoru.
6. Neglabājiet darbarīku un akumulatora kasetni vietās, kur temperatūra var sasniegt vai pārsniegt 50 °C (122 °F).
7. Nededziniet akumulatora kasetni, pat ja tā ir stipri bojāta vai pilnībā nolietota. Akumulatora kasetne ugunī var eksplodēt.
8. Akumulatora kasetni nedrīkst naglot, griezt, saspiest, mest vai nomest, kā arī pa to nedrīkst sist ar cietu priekšmetu. Šādas darbības var izraisīt aizdegšanos, pārmērīgu karstumu vai sprādzienu.
9. Neizmantojiet bojātu akumulatoru.

- Uz izmantotajiem litija jonu akumulatoriem attiecas likumdošanas prasības par bīstamiem izstrādājumiem. Komerciālā transportēšanā, ko veic, piemēram, trešās puses, transporta uzņēmumi, jāievēro uz iesaiņojuma un marķējuma norādītās īpašās prasības. Lai izstrādājumu sagatavotu nosūtīšanai, jāsažinās ar bīstamo materiālu speciālistu. Ievērojiet arī citus attiecināmos valsts normatīvus. Valējus kontaktus nosedziet ar līmlenti vai citādi pārklājiet, bet akumulatoru iesaiņojiet tā, lai sainītas nevarētu izkustēties.
- Lai utilizētu akumulatora kasetni, izņemiet to no darbarīka un likvidējiet drošā vietā. Ievērojiet vietējos noteikumus par akumulatora likvidēšanu.
- Izmantojiet šos akumulatorus tikai ar izstrādājumiem, kurus norādījis Makita. Ievietojot šos akumulatorus nesaderīgos izstrādājumos, var rasties ugunsgrēks, pārmērīgs karstums, tie var uzsprāgt vai no tiem var iztect elektrolīts.
- Ja darbarīks netiks lietots ilgu laiku, no tā jāizņem akumulatori.
- Lietošanas laikā vai pēc tās akumulatora kasetne var uzkrāt siltumu, kas var izraisīt apdegumus vai zemas temperatūras apdegumus. Ar karstu akumulatora kasetni apejieties rūpīgi.
- Nepieskarieties darbarīka izvadam uzreiz pēc lietošanas, jo tas var būt sakarsis un izraisīt apdegumus.
- Neļaujiet akumulatora kasetnes izvadā, atverēs un rievās uzkrāties skaidām, putekļiem vai augšnei. Tādējādi darbarīks vai akumulatora kasetne var sākt darboties nekvalitatīvi vai tikt sabojāti.
- Neizmantojiet akumulatora kasetni augstsprieguma līniju tuvumā, izņemot gadījumus, kad darbarīks ir piemērots lietošanai augstsprieguma līniju tuvumā. Citādi darbarīks vai akumulatora kasetne var sākt darboties nepareizi vai tikt sabojāti.

## SAGLABĀJIET ŠOS NORĀDĪJUMUS.

**⚠UZMANĪBU:** Lietojiet tikai oriģinālos Makita akumulatorus. Ja lietojat neoriģinālus Makita akumulatorus vai pārveidotus akumulatorus, tie var uzsprāgt un izraisīt aizdegšanos, traumas un materiālos zaudējumus. Tīks anulēta arī Makita darbarīka un lādētāja garantija.

## Ieteikumi akumulatora kalpošanas laika pagarināšanai

- Uzlādējiet akumulatora kasetni, pirms tā ir pilnībā izlādējusies. Vienmēr, kad ievērojāt, ka darbarīka darba jauda zudusi, apturiet darbarīku un uzlādējiet akumulatora kasetni.
- Nekad neuzlādējiet pilnībā uzlādētu akumulatora kasetni. Pārmērīga uzlāde saīsina akumulatora kalpošanas laiku.
- Uzlādējiet akumulatora kasetni istabas temperatūrā 10 °C - 40 °C. Karstai akumulatora kasetnei pirms uzlādes ļaujiet atdzist.
- Kad akumulatora kasetne netiek izmantota, izņemiet to no darbarīka vai lādētāja.
- Uzlādējiet litija jonu akumulatora kasetni, ja to ilgstoši nelietosit (vairāk nekā sešus mēnešus).

## FUNKCIJU APRAKSTS

**⚠UZMANĪBU:** Pirms darbarīka regulēšanas vai tā darbības pārbaudes vienmēr pārliecinieties, ka darbarīks ir izslēgts un akumulatora kasetne ir izņemta.

## Akumulatora kasetnes uzstādīšana un izņemšana

**⚠UZMANĪBU:** Vienmēr pirms akumulatora kasetnes uzstādīšanas vai noņemšanas izslēdziet darbarīku.

**⚠UZMANĪBU:** Uzstādot vai izņemot akumulatora kasetni, darbarīku un akumulatora kasetni turiet cieši. Ja darbarīku un akumulatora kasetni netur cieši, tie var izkrist no rokām un radīt bojājumus darbarīkam un akumulatora kasetnei, kā arī izraisīt ievainojumus.

- **Att. 1:** 1. Sarkanās krāsas indikators 2. Poga 3. Akumulatora kasetne

Lai izņemtu akumulatora kasetni, izvelciet to no darbarīka, pārbīdot kasetnes priekšpusē esošo pogu.

Lai uzstādītu akumulatora kasetni, salāgojiet mēlīti uz akumulatora kasetnes ar rievu ietvarā un iebīdīet to vietā. Ievietojiet to līdz galam, līdz tā ar klikšķi nofiksējas. Ja poga augšējā daļā redzams sarkanās krāsas indikators, tas nozīmē, ka tā nav pilnīgi fiksēta.

**⚠UZMANĪBU:** Vienmēr ievietojiet akumulatora kasetni tā, lai sarkanais indikators nebūtu redzams. Pretējā gadījumā tā var nejauši izkrist no darbarīka un izraisīt jums vai apkārtējiem traumas.

**⚠UZMANĪBU:** Neievietojiet akumulatora kasetni ar spēku. Ja kasetne neslīd ietvarā viegli, tā nav pareizi ielikta.

## Darbarīka/akumulatora aizsardzības sistēma

Darbarīkam ir darbarīka/akumulatora aizsardzības sistēma. Št sistēma automātiski izslēdz strāvas padevi motoram, lai pagarinātu darbarīka un akumulatora darbību. Lietošanas laikā darbarīks automātiski pārstās darboties, ja darbarīku vai akumulatoru pakļaus kādam no šādiem apstākļiem.

### Aizsardzība pret pārslodzi

Ja akumulatoru lieto tā, ka tas patērē pārmērīgi lielu strāvas daudzumu, darbarīks automātiski pārstāj darboties bez jebkādas norādes. Šādā gadījumā izslēdziet darbarīku un pārtrauciet darbību, kas izraisīja darbarīka pārslodzi. Tad ieslēdziet darbarīku, lai atsāktu darbu.

### Aizsardzība pret pārkaršanu

Ja darbarīks vai akumulators ir pārkaršis, darbarīks automātiski izslēdzas un sāk mirgot lampa. Šādā gadījumā ļaujiet darbarīkam un akumulatoram atdzist un tikai tad atkal ieslēdziet darbarīku.
















## Aizsardzība pret akumulatora pārmērīgu izlādi

Ja atlikušā akumulatora jauda nav pietiekama, darbarīks automātiski pārstāj darboties un sāk mirgot indikatorus. Šādā gadījumā izņemiet akumulatoru no darbarīka un uzlādējiet to.

### Atlikušās akumulatora jaudas indikators

Nospiediet akumulatora kasetnes pārbaudes pogu, lai pārbaudītu akumulatora atlikušo uzlādes līmeni. Indikatoru iedegties uz dažām sekundēm.

► **Att.2:** 1. Indikatora lampas 2. Pārbaudes poga

Indikatora lampas			Atlikušā jauda
			
			No 75% līdz 100%
			No 50% līdz 75%
			No 25% līdz 50%
			No 0% līdz 25%
			Uzlādējiet akumulatoru.
			Iespējama akumulatora kļūme.

**PIEZĪME:** Reālā jauda var nedaudz atšķirties no norādītās atkarībā no lietošanas apstākļiem un apkārtējās temperatūras.

### Slēdža darbība

**UZMANĪBU:** Pirms akumulatora kasetnes uzstādīšanas darbarīkā vienmēr pārbaudiet, vai slēdža mēlīte darbojas pareizi un pēc atlaišanas atgriežas stāvoklī „OFF” (izslēgts).

**IEVĒRĪBAI:** Nelietojiet bloķēšanas/ātruma regulēšanas sviru, kad darbarīks darbojas. Tas var sabojāt darbarīku.

► **Att.3:** 1. Bloķēšanas/ātruma regulēšanas svira 2. Slēdža mēlīte 3. Bloķēšanas/ātruma regulēšanas sviras stāvoklis

► **Att.4**

Lai iedarbinātu darbarīku, nospiediet bloķēšanas/ātruma regulēšanas sviru no A vai B puses un pavalciet slēdža mēlīti. Darbarīka ātrums palielinās, palielinoties spiedienam uz slēdža mēlīti. Lai darbarīku apturētu, atlaidiet slēdža mēlīti.

Maks. darbarīka ātrumu var mainīt 2 darbībās.

- Liela darbības ātruma režīms  
Ja bloķēšanas/ātruma regulēšanas sviru nospiež A pusē, apgriezīgu skaitis tiek iestatīts uz „2”.
- Neliela darbības ātruma režīms  
Ja bloķēšanas/ātruma regulēšanas sviru nospiež B pusē, apgriezīgu skaitis tiek iestatīts uz „1”.

Ja bloķēšanas/ātruma regulēšanas svira ir stāvoklī , darbarīks ir bloķēts un slēdža mēlīti nevar nospiegt.

## Ātruma izvēle

Liels darbības ātrums piemērots mīkstu materiālu, piemēram, koka, griešanai. Mazs darbības ātrums piemērots cietu materiālu, piemēram, metāla, griešanai.

Materiāls	Bloķētāja / ātruma regulēšanas sviras pozīcija	Gājienu skaits minūtē
Koks ALC	2 (liela darbības ātruma režīms)	0–3 000
Oglekļa tērauds Nerūsošais tērauds Čuguns Alumīnijs Plastmasa	1 (maza darbības ātruma režīms)	0–2 300

**IEVĒRĪBAI:** Vienmēr izmantojiet zobenzāģa asmeni, kas paredzēts materiālam, ko griezīsiet. **Nemiet vērā, griežot nerūsošo tēraudu vai čuguna cauruli, noteikti izmantojiet zobenzāģa asmeni, kas paredzēts tikai šādu materiālu griešanai.**

**IEVĒRĪBAI:** Atkarībā no griezamā materiāla, veicot griezumu ar lielu darbības ātrumu, zobenzāģa asmeņa kalpošanas ilgums var samazināties.

### Priekšējās lampas ieslēgšana

► **Att.5:** 1. Lampa

**UZMANĪBU:** Neskatieties gaismā, neļaujiet tās avotam iespīdēt acīs.

Pavalciet slēdža mēlīti, lai ieslēgtu lampu. Kamēr slēdža mēlīte ir nospiesta, lampa ir ieslēgta. Apmēram 10 sekundes pēc slēdža mēlītes atlaišanas lampa izslēdzas.

**PIEZĪME:** Ar sausu lupatiņu notīriet netīrumus no lampas lēcas. Izvairieties saskrāpēt lampas lēcu, jo tādējādi tiek samazināts apgaismojums.

**PIEZĪME:** Ja darbarīks pārkarst, vienu minūti mirgo gaismas indikators. Šādā gadījumā darbarīku pirms atkārtotas lietošanas atdzesējiet.

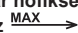
### Sliedes noregulēšana

Kad finierzāģa asmens vienā asmens daļā zaudē griešanas efektivitāti, slieci pārvietojiet tā, lai lietotu asu, neizmantotu asmens daļu. Tādējādi pagarināsīt zāģa asmens darbmūžu.

Sliedes stāvokli var regulēt 6 pozīcijās.

Lai pārvietotu slieci, atveriet sliedes regulēšanas sviru un izvēlieties piemērotu stāvokli, tad aizveriet sliedes regulēšanas sviru.

► **Att.6:** 1. Sliete 2. Sliedes regulēšanas svira

**IEVĒRĪBAI:** Slieci nevar nofiksēt, ja tā ir izvīr-zīta tālāk par  atziņi uz **MAX** → **markējuma**. **Nemēģiniet šādā pozīcijā ar spēku aizvērt sliedes regulēšanas sviru.** Šādi var salauzt sviru.

**PIEZĪME:** Slieci nav iespējams noregulēt, pilnībā neatverot sliedes regulēšanas sviru.

## Āķis

**⚠UZMANĪBU:** Uzkarot darbarīku, iestatiet bloķēšanas/ātruma regulēšanas sviru stāvoklī , lai bloķētu slēdža mēlīti. (Skat. nodaļu "Slēdža darbība".)

**⚠UZMANĪBU:** Nekad nekariniet darbarīku uz āķa lielā augstumā vai nestabilā vietā.

► Att.7: 1. Āķis

Āķis ir noderīgs, ja darbarīks īslaicīgi jāuzkar.

Lai lietotu āķi, paceliet to, līdz tas nofiksējas paredzētajā stāvoklī.

Ja āķi nelietojat, vienmēr to nolaidiet, līdz tas nofiksējas slēgtā stāvoklī.

## Elektronika

Lai atvieglotu lietošanu, darbarīks ir aprīkots ar elektroniskām funkcijām.

## Nemainīga ātruma vadība

Ātruma vadības funkcijas nodrošina nemainīgu griešanās ātrumu neatkarīgi no slodzes.

## MONTĀŽA

**⚠UZMANĪBU:** Pirms darbarīka regulēšanas vai apkopes vienmēr pārliedzinieties, ka darbarīks ir izslēgts un akumulatora kasetne ir izņemta.

## Finierzāģa asmens uzstādīšana vai noņemšana

**⚠UZMANĪBU:** Vienmēr notīriet visas skaidas vai svešķermeņus, kas pieliņpuši asmenim un/vai asmens skavai. Ja tā nerīkosities, asmens var nebūt pietiekami cieši nostiprināts, izraisot smagu traumu.

Lai uzstādītu zobenzāģa asmeni, pilnībā pavelciet atlaišanas sviru, lai asmens skavas uzmava būtu atbrīvotā stāvoklī, un tad ievietojiet zobenzāģa asmeni.

► Att.8: 1. Atlaišanas svira 2. Asmens skavas uzmava 3. Atlaišanas stāvoklis 4. Fiksēts stāvoklis

**PIEZĪME:** Vienmēr pavelciet atlaišanas sviru līdz galam. Pretējā gadījumā asmens skavas uzmava nenonāk pilnīgi atbrīvotā stāvoklī un zobenzāģa asmeni nevar ievietot.

Ievietojiet zobenzāģa asmeni asmens skavas uzmavas atverē līdz galam. Zobenzāģa asmens ar klikšķi nofiksēsies asmens skavas uzmavā. Pārliedzinieties, ka zobenzāģa asmeni nevar izvilkt, pat ja to mēģina darīt.

► Att.9: 1. Zobenzāģa asmens 2. Asmens fiksatora uzmava

**⚠UZMANĪBU:** Ja neievietosiet zobenzāģa asmeni pietiekami dziļi, darba laikā tas var negaidīti izkrist. Tas var būt ļoti bīstami.

Lai izņemtu zobenzāģa asmeni, pilnībā pavirziet atlaišanas sviru bultiņas norādītajā virzienā.

► Att.10: 1. Finierzāģa asmens 2. Atlaišanas svira

**IEVĒRĪBAI:** Nekad nekustiniet atlaišanas sviru, kad nospiesta slēdža mēlīte. Tādējādi var izraisīt nepareizu darbību.

## EKSPLUATĀCIJA

**⚠UZMANĪBU:** Slieci darba laikā vienmēr stingri piespiediet apstrādājamam materiālam. Ja ekspluatācijas laikā slieci noņemsit vai neturēsīt pie apstrādājamā materiāla, radīsies spēcīga vibrācija un/vai izliekšanās, kā rezultātā asmens bīstami salūzīs.

**⚠UZMANĪBU:** Zāģējot metālu, vienmēr valkājiet cimdus, lai aizsargātu rokas no karstām, atlecošām skaidām.

**⚠UZMANĪBU:** Obligāti izmantojiet piemērotus acu aizsarglīdzekļus saskaņā ar pašreiz spēkā esošajiem nosacījumiem.

**⚠UZMANĪBU:** Zāģējot metālu, vienmēr lietojiet piemērotu dzesēšanas šķidrumu (zāģēšanas eļļu). Ja tā nerīkosities, asmens priekšlaicīgi nolietosies.

**⚠UZMANĪBU:** Zāģēšanas laikā nekustiniet asmeni.

Piespiediet slieci cieši pie apstrādājamā materiāla. Nepieļaujiet, ka darbarīks atlec. Viegli pielieciet zobenzāģa asmeni pie apstrādājamā materiāla. Vispirms ar mazāku ātrumu izzāģējiet sākotnējo rievu. Tad turpiniet zāģēt ar lielāku ātrumu.

► Att.11

**IEVĒRĪBAI:** Neizāģējiet apstrādājamo materiālu ar slieci, pavērstu prom no materiāla, vai bez slieces. Šādā veidā tiek palielināts ietekmes spēks, un zobenzāģa asmens var salūzt.

## APKOPE

**⚠UZMANĪBU:** Pirms darbarīka pārbaudes vai apkopes vienmēr pārliedzinieties, ka darbarīks ir izslēgts un akumulatora kasetne ir izņemta.

**IEVĒRĪBAI:** Nekad neizmantojiet gazoļīnu, benzīnu, atšķaidītāju, spirtu vai līdzīgus šķidrumus. Tas var radīt izbalēšanu, deformāciju vai plaisas.

Lai saglabātu izstrādājuma DROŠU un UZTICAMU darbību, remontdarbus, apkopi un regulēšanu uzticiet veikt tikai Makita pilnvarotam vai rūpnīcas apkopes centram, un vienmēr izmantojiet tikai Makita rezerves daļas.

## PAPILDU PIEDERUMI

**⚠ UZMANĪBU:** Šādi piederumi un papildierīces tiek ieteiktas lietošanai ar šajā rokasgrāmatā aprakstīto Makita darbarīku. Izmantojot citus piederumus vai papildierīces, var tikt radīta traumu gūšanas bīstamība. Piederumu vai papildierīci izmantojiet tikai paredzētajam mērķim.

Ja jums vajadzīga palīdzība vai precīzāka informācija par šiem piederumiem, vērsieties savā tuvākajā Makita apkopes centrā.

- Zobenzāģa asmeņi
- Makita oriģinālais akumulators un lādētājs

**PIEZĪME:** Daži sarakstā norādītie izstrādājumi var būt iekļauti instrumenta komplektācijā kā standarta piederumi. Tie dažādās valstīs var būt atšķirīgi.

## SPECIFIKACIJOS

<b>Modelis:</b>		<b>JR001G</b>
Smūgio ilgis		32 mm
Smūgių per minutę	Aukšta (2)	0–3 000 min <sup>-1</sup>
	Žemas (1)	0–2 300 min <sup>-1</sup>
Maks. pjovimo galia	Vamzdis	130 mm
	Medis	255 mm
Nominali įtampa		Nuolatinė 36 V – 40 V maks.
Bendrasis ilgis	su BL4025	457 mm
	su BL4040	472 mm
Grynasis svoris		4,2 - 4,5 kg

- Atliekame tęstinius tyrimus ir nuolatos tobuliname savo gaminius, todėl čia pateikiamos specifikacijos gali būti keičiamos be įspėjimo.
- Įvairiose šalyse specifikacijos ir akumulatoriaus kasetė gali skirtis.
- Svoris gali priklausyti nuo priedo (-ų), įskaitant akumulatoriaus kasetę. Lengviausias ir sunkiausias deriniai pagal EPTA 2014 m. sausio mėn. procedūrą yra parodyti lentelėje.

## Tinkama akumulatoriaus kasetė ir (arba) įkroviklis

Akumulatoriaus kasetė	BL4025 / BL4040
Įkroviklis	DC40RA

- Atsižvelgiant į gyvenamosios vietos regioną, kai kurios pirmiau nurodytos akumulatoriaus kasetės ir įkrovikliai gali būti neprieinami.

**⚠️ ĮSPĖJIMAS:** Naudokite tik akumulatoriaus kasetes ir įkroviklius, kurie nurodyti anksčiau. Naudojant bet kurias kitas akumulatoriaus kasetes ir įkroviklius, gali kilti sužeidimo ir gaisro pavojus.

## Numatytoji naudojimo paskirtis

Įrankis skirtas medienai, plastmasei ir geležiai pjauti.

## Triukšmas

Įprastas triukšmo A lygis, nustatytas pagal EN62841-2-11:

Garso slėgio lygis ( $L_{pA}$ ): 85 dB (A)

Garso galios lygis ( $L_{WA}$ ): 96 dB (A)

Paklaida (K): 3 dB (A)

**PASTABA:** Paskelbta (-os) triukšmo reikšmė (-ės) nustatyta (-os) pagal standartinį testavimo metodą ir jį galima naudoti vienam įrankiui palyginti su kitu.

**PASTABA:** Paskelbta (-os) triukšmo reikšmė (-ės) taip pat gali būti naudojama (-os) norint preliminariai įvertinti triukšmo poveikį.

**⚠️ ĮSPĖJIMAS:** Dėvėkite ausų apsaugą.

**⚠️ ĮSPĖJIMAS:** Faktiškai naudojant elektrinį įrankį, keliamo triukšmo dydis gali skirtis nuo paskelbtos (-ų) reikšmės (-ių), priklausomai nuo būdų, kuriais yra naudojamas šis įrankis, ir ypač nuo to, kokio tipo ruošinys apdirbamas.

**⚠️ ĮSPĖJIMAS:** Siekdami apsaugoti operatorių, būtina įvertinkite saugos priemones, remdamiesi vibracijos poveikio įvertinimu esant faktinėms naudojimo sąlygoms (atsižvelgdami į visas darbo ciklo dalis, pavyzdžiui, ne tik kiek laiko įrankis veikia, bet ir kiek kartų jis yra išjungiamas bei kai jis veikia be apkravų).

## Vibracija

Vibracijos bendroji vertė (trašio vektorius suma) nustatyta pagal EN62841-2-11 standartą:

Darbo režimas: lėtų pjovimas

Vibracijos emisija ( $a_{hB}$ ): 18,0 m/s<sup>2</sup>

Paklaida (K): 1,5 m/s<sup>2</sup>

Darbo režimas: medinių sijų pjovimas

Vibracijos emisija ( $a_{hWB}$ ): 19,5 m/s<sup>2</sup>

Paklaida (K): 2,0 m/s<sup>2</sup>

**PASTABA:** Paskelbta (-os) vibracijos bendroji (-osios) reikšmė (-ės) nustatyta (-os) pagal standartinį testavimo metodą ir jį galima naudoti vienam įrankiui palyginti su kitu.

**PASTABA:** Paskelbta (-os) vibracijos bendroji (-osios) reikšmė (-ės) taip pat gali būti naudojama (-os) norint preliminariai įvertinti vibracijos poveikį.

**⚠️ ĮSPĖJIMAS:** Faktiškai naudojant elektrinį įrankį, keliamos vibracijos dydis gali skirtis nuo paskelbtos (-ų) reikšmės (-ių), priklausomai nuo būdų, kuriais yra naudojamas šis įrankis, ir ypač nuo to, kokio tipo ruošinys apdirbamas.

**⚠️ ĮSPĖJIMAS:** Siekdami apsaugoti operatorių, būtina įvertinkite saugos priemones, remdamiesi vibracijos poveikio įvertinimu esant faktinėms naudojimo sąlygoms (atsižvelgdami į visas darbo ciklo dalis, pavyzdžiui, ne tik kiek laiko įrankis veikia, bet ir kiek kartų jis yra išjungiamas bei kai jis veikia be apkravų).



## EB atitikties deklaracija

### Tik Europos šalis

EB atitikties deklaracija yra pridedama kaip šio instrukcijų vadovo A priedas.

## SAUGOS ĮSPĖJIMAI

### Bendrieji įspėjimai dirbant elektriniais įrankiais

**▲ ĮSPĖJIMAS:** Perskaitykite visus saugos įspėjimus, instrukcijas, iliustracijas ir techninius duomenis, pateiktus kartu su šiuo elektriniu įrankiu. Nesilaikant visų toliau išvardytų instrukcijų galima patirti elektros smūgi, gali kilti gaisras ir (arba) galima sunkiai susižaloti.

### Išsaugokite visus įspėjimus ir instrukcijas, kad galėtumėte jas peržiūrėti ateityje.

Terminas „elektrinis įrankis“ pateiktuose įspėjimuose reiškia į maitinimo tinklą jungiamą (laidinį) elektrinį įrankį arba akumuliatoriaus maitinamą (belaidį) elektrinį įrankį.

### Įspėjimai dėl akumuliatorinio siaurapjūklio saugos

1. Atlikdami darbus, kurių metu pjovimo dalys gali paliesti paslėptus laidus, laikykite elektrinį įrankį tik už izoliuotų, laikyti skirtų paviršių. Pjovimo antgaliai prisilietus prie laido, kuriuo teka elektros srovė, neizoliuotos metalinės elektrinio įrankio dalys gali sukelti elektros smūgį ir nutrenkti operatorių.
2. Ruošinį ant stabilios platformos tvirtinkite spaustuvais arba kitais parankiais būdais. Laikant ruošinį rankomis arba prispaudus prie kūno, jis yra nestabilus, todėl galite prarasti jo kontrolę.
3. Būtinai naudokite apsauginius akinius. Įprastiniai akiniai ar akiniai nuo saulės NĖRA apsauginiai akiniai.
4. Nepjaukite vinių. Prieš dirbdami apžiūrėkite, ar ruošinyje nėra vinių, ir jas išimkite.
5. Nepjaukite didelių matmenų ruošinio.
6. Prieš pjudami patikrinkite, ar tarpas po ruošiniu yra pakankamas, kad asmenys neįpjautų grindų, darbatalio ir pan.
7. Tvirtai laikykite įrenginį.
8. Prieš įjungdami jungiklį, patikrinkite, ar diskas neliečia ruošinio.
9. Žiūrėkite, kad rankos būtų kuo toliau nuo judamųjų dalių.
10. Nepalikite veikiančio įrankio. Naudokite įrankį tik laikydami rankomis.
11. Prieš išimdami geležtę iš ruošinio, būtinai išjunkite ir palaukite, kol ji visiškai sustos.
12. Nelieskite peilio arba ruošinio iškart po naudojimo; jie gali būti itin karšti ir nudeginėti odą.
13. Be reikalo nenaudokite įrankio be apkrovos.

14. Atsižvelgdami į apdirbamą medžiagą ir darbo pobūdį, būtinai užsidėkite kaukę, saugančią nuo dulkių / respiratorių.
15. Kai kuriose medžiagose esama cheminių medžiagų, kurios gali būti nuodingos. Saugokitės, kad neįkvėptumėte dulkių ir nesiliestumėte oda. Laikykites medžiagų tiekėjo saugos duomenų.
16. Prieš dirbdami įsitikinkite, kad nėra jokio paslėpto daikto, pavyzdžiui, elektros vamzdžio, vandens vamzdžio arba dujų vamzdžio ruošinyje. Kitu atveju atbulinių pjūklų ašmenys gali juos paliesti ir sukelti elektros smūgį, elektros nuotėkį ar dujų nuotėkį.

## SAUGOKITE ŠIAS INSTRUKCIJAS.

**▲ ĮSPĖJIMAS:** NELEISKITE, kad patogumas ir gaminio pažinimas (įgyjamas pakartotinai naudojant) susilpnintų griežtą saugos taisyklių, taikytinų šiam gaminiui, laikymąsi. Dėl NETINKAMO NAUDOJIMO arba saugos taisyklių, kurios pateiktos šioje instrukcijoje, nesilaikymo galima rimtai susižeisti.

### Svarbios saugos instrukcijos, taikomos akumuliatoriaus kasetei

1. Prieš naudodami akumuliatoriaus kasetę, perskaitykite visas instrukcijas ir perspėjimus ant (1) akumuliatorių įkroviklio, (2) akumuliatorių ir (3) akumuliatorių naudojančio gaminio.
2. Neardykite ir negadinkite akumuliatoriaus kasetės. Dėl to ji gali užsidegti, per daug įkaisti arba sprogti.
3. Jei įrankio darbo laikas žymiai sutrumpėjo, nedelsdami nutraukite darbą su įrankiu. Tai gali kelti perkaitimo, nudegimų ar net sprogdimo pavojų.
4. Jei elektrrolitas pateko į akis, plaukite jas tyru vandeniu ir nedelsdami kreipkitės į gydytoją. Gali kilti regėjimo praradimo pavojus.
5. Neužtrumpinkite akumuliatoriaus kasetės:
  - (1) Nelieskite kontaktų degiomis medžiagomis.
  - (2) Venkite laikyti akumuliatoriaus kasetę kartu su kitais metaliniais daiktais, pavyzdžiui, vinimis, monetomis ir pan.
  - (3) Saugokite akumuliatoriaus kasetę nuo vandens ir lietaus.Trumpasis jungimas akumuliatoriuje gali sukelti stiprią srovę, perkaitimą, galimus nudegimus ar net akumuliatoriaus gedimą.
6. Nelaikykite įrankio ir akumuliatoriaus kasetės vietoje, kur temperatūra gali pasiekti ar viršyti 50 °C.
7. Nedeginkite akumuliatoriaus kasetės, net jei yra stipriai pažeista ar visiškai susidėvėjusi. Ugnyje akumuliatoriaus kasetė gali sprogti.
8. Akumuliatoriaus kasetės nekalkite, nepjaukite ir nemėtykite ir taip pat į ją netrankykite kietu daiktu. Taip elgiantis, ji gali užsidegti, per daug įkaisti arba sprogti.
9. Nenaudokite pažeisto akumuliatoriaus.

- Įdėtoms ličio jonų akumuliatoriams taikomi Pavojingų prekių teisės akto reikalavimai. Komercinis transportas, pvz., trečiųjų šalių, prekių vežimo atstovų, turi laikytis specialaus reikalavimo ant pakuotės ir ženklavimo. Norėdami paruošti siųstiną prekę, pasitarkite su pavojingų medžiagų specialistu. Be to, laikykitės galimai išsamesnių nacionalinių reglamentų. Užklijuokite juosta arba padenkite atvirus kontaktus ir supakuokite akumuliatorių taip, kad ji pakuotėje nejudėtų.
- Kai išmetate akumuliatoriaus kasetę, išimkite ją iš įrankio ir išmeskite saugioje vietoje. Vadovaukitės vietos reglamentais dėl akumuliatorių išmetimo.
- Baterijas naudokite tik su „Makita“ nurodytais gaminiais. Baterijas įdėjus į netinkamus gaminius gali kilti gaisras, gaminyje pernelyg kaisti, kilti sproginimas arba pratekėti elektrolitas.
- Jei įrankis bus ilgą laiką nenaudojamas, akumuliatorių būtina išimti iš įrankio.
- Darbo metu ir po akumuliatoriaus kasetę gali būti įkaitusi ir dėl to nudeginti. Įmdami akumuliatoriaus kasetes, būkite atsargūs.
- Tuojuo pat po naudojimo nelieskite įrankio gnybtų, nes jie gali būti įkaitę tiek, kad nudegins.
- Neleiskite, kad į akumuliatoriaus kasetės gnybtus, angas ir griovelius patektų drožlių, dulkių ar žemių. Dėl to įrankis ar akumuliatoriaus kasetė gali imti prastai veikti ar sugesti.
- Jeigu įrankis nėra pritaikytas naudoti šalia aukštos įtampos elektros linijų, akumuliatoriaus kasetės nenaudokite šalia aukštos įtampos elektros linijų. Dėl to gali sutrikti įrankio ar akumuliatoriaus kasetės veikimas arba ji gali sugesti.

## SAUGOKITE ŠIAS INSTRUKCIJAS.

**▲PERSPĖJIMAS:** Naudokite tik originalų „Makita“ akumuliatorių. Neoriginalaus „Makita“ arba pakeisto akumuliatoriaus naudojimas gali nulemti gaisrą, asmens sužalojimą ir pažeidimą. Tai taip pat panaikina „Makita“ suteikiamą „Makita“ įrankio ir įkroviklio garantiją.

## Patarimai, ką daryti, kad akumuliatorius veiktų kuo ilgiau

- Pakraukite akumuliatoriaus kasetę prieš ją visiškai išsikraunant. Visuomet nustokite naudoti įrankį ir pakraukite akumuliatoriaus kasetę, kai pastebite, kad įrankio galia sumažėjo.
- Niekada nekraukite iki galo įkrautos akumuliatoriaus kasetės. Perkraunant trumpėja akumuliatoriaus eksploatacijos laikas.
- Akumuliatoriaus kasetę kraukite esant kambario temperatūrai 10 - 40 °C. Prieš pradėdami krauti, leiskite įkaitusiai akumuliatoriaus kasetei atvėsti.
- Kai akumuliatoriaus kasetės nenaudojate, ją išimkite iš įrankio ar įkroviklio.
- Įkraukite akumuliatoriaus kasetę, jei jos nenaudojate ilgą laiką (ilgiau nei šešis mėnesius).

## VEIKIMO APRAŠYMAS

**▲PERSPĖJIMAS:** Prieš pradėdami reguliuoti arba tikrinti įrankio veikimą, visuomet būtinai išjunkite įrankį ir išimkite akumuliatoriaus kasetę.

## Akumuliatoriaus kasetės uždėjimas ir nuėmimas

**▲PERSPĖJIMAS:** Prieš įdėdami arba išimdami akumuliatoriaus kasetę, visada išjunkite įrankį.

**▲PERSPĖJIMAS:** Įdėdami arba išimdami akumuliatoriaus kasetę, tvirtai laikykite įrankį ir akumuliatoriaus kasetę. Jeigu įrankį ir akumuliatoriaus kasetę laikysite netvirtai, jie gali išlysti iš jūsų rankų, todėl įrankis ir akumuliatoriaus kasetė gali būti sugadinti, o naudotojas sužalotas.

- **Pav.1:** 1. Raudonas indikatorius 2. Mygtukas 3. Akumuliatoriaus kasetė

Jei norite išimti akumuliatoriaus kasetę, ištraukite ją iš įrankio, stumdami mygtuką, esantį kasetės priekyje.

Jei norite įdėti akumuliatoriaus kasetę, sulygiuokite liežuvelį ant akumuliatoriaus kasetės su grioveliu korpuso ir įstumkite jį į skirtą vietą. Įdėkite iki galo, kol spragtelėdama užsifiksuos. Jeigu matote raudoną indikatorius viršutinėje mygtuko pusėje, ji nėra visiškai užfiksuota.

**▲PERSPĖJIMAS:** Akumuliatoriaus kasetę visada įkiškite iki galo, kol nebamatsite raudono indikatorius. Priešingu atveju ji gali atsitiktinai iškristi iš įrankio, sužeisti jus arba aplinkinius.

**▲PERSPĖJIMAS:** Nekiškite akumuliatoriaus kasetės jėga. Jeigu kasetė sunkiai lenda, ją kišate netinkamai.

## Įrankio / akumuliatoriaus apsaugos sistema

Įrankyje įrengta įrankio / akumuliatoriaus apsaugos sistema. Ši sistema automatiškai atjungia variklio maitinimą, kad įrankis ir akumuliatorius ilgiau veiktų. Įrankis automatiškai išsijungs darbo metu esant vienai iš toliau nurodytų įrankio arba akumuliatoriaus darbo sąlygų:

### Apsauga nuo perkrovos

Akumuliatorių naudojant taip, kad susidaro neįprastai aukšta srovė, nepateikiant jokios indikacijos, įrankis automatiškai sustabdomas. Tokiu atveju išjunkite įrankį ir nutraukite darbą, dėl kurio įrankis buvo perkrautas. Tada įjunkite įrankį, kad jis būtų paleistas iš naujo.

### Apsauga nuo perkaitimo

Kai įrankis ar akumuliatorius perkaista, jis automatiškai išsijungia ir pradeda mirksėti lemputė. Esant šiai situacijai, leiskite įrankiui ir akumuliatoriui atvėsti, prieš vėl jungdami įrankį.

### Apsauga nuo visiško išsekvojimo

Jeigu likusios akumuliatoriaus galios nepakanka, įrankis automatiškai išsijungia ir žybcioja lemputė. Tokiu atveju ištraukite akumuliatorių iš įrankio ir jį įkraukite.

## Likusios akumulatoriaus galios rodymas

Paspauskite akumulatoriaus kasetės tikrinimo mygtuką, kad būtų rodoma likusi akumulatoriaus energija. Maždaug trims sekundėms užsidegs indikatorių lemputės.

► **Pav.2:** 1. Indikatorių lemputės 2. Tikrinimo mygtukas

Indikatorių lemputės			Likusi galia
Šviečia	Nešviečia	Blyksi	
■	□	◐	75 - 100 %
■	■	□	50 - 75 %
■	■	□	25 - 50 %
■	□	□	0 - 25 %
◐	□	□	Įkraukite akumuliatorių.
■	■	□	Galimai įvyko akumulatoriaus veikimo triktis.
□	□	■	

**PASTABA:** Rodmuo gali šiek tiek skirtis nuo faktinės energijos lygio – tai priklauso nuo naudojimo sąlygų ir aplinkos temperatūros.

## Jungiklio veikimas

**▲PERSPĖJIMAS:** Prieš montuodami akumulatoriaus kasetę įrankyje, visuomet patikrinkite, ar gaidukas tinkamai veikia ir atleistas grįžta į išjungimo padėtį „OFF“.

**PASTABA:** Nenaudokite blokavimo / greičio keitimo svirtelės tol, kol įrankis veikia. Įrankis galis sugesti.


► **Pav.3:** 1. Blokavimo / greičio keitimo svirtelė  
2. Gaidukas 3. Blokavimo / greičio keitimo svirtelės būseną

► **Pav.4**

Norėdami įjungti įrankį, A arba B pusėje atleiskite blokavimo / greičio keitimo svirtelę ir paspauskite gaiduką. Stipriau spaudžiant gaiduką, įrankio veikimo greitis didėja. Norėdami išjungti, atleiskite svirtinį gaiduką.

Didžiausią įrankio greitį galima keisti 2 etapais.

- Dideliame greičiui įjungti  
Kai blokavimo / greičio keitimo svirtelė paspaudžiama iš A pusės, smūgio greitis yra nustatytas ties „2“.
- Mažam greičiui įjungti  
Kai blokavimo / greičio keitimo svirtelė paspaudžiama iš B pusės, smūgio greitis yra nustatytas ties „1“.

Kai blokavimo / greičio keitimo svirtelė yra  padėtyje, įrankis yra blokuojamas ir gaiduko paspausti negalima.

## Greičio pasirinkimas

Didelis greitis tinka minkštomis medžiagoms, pvz., medžiui, pjauti. Mažas greitis tinka kietoms medžiagoms, pvz., metalui, pjauti.

Medžiaga	Blokavimo / greičio keitimo svirtelės padėtis	Smūgių per minutę
Medis ALC	2 (didelis greitis)	0–3 000
Mažaanglis plienas Nerūdijantis plienas Ketis Aliuminis Plastikas	1 (mažas greitis)	0–2 300

**PASTABA:** Visada naudokite pjaunamai medžiagai tinkamus atbulinių pjūklų ašmenis. Ypač pjaudami nerūdijancio plieno ar ketaus vamzdį, būtinai naudokite tik tokioms medžiagoms pjauti skirtus atbulinių pjūklų ašmenis.

**PASTABA:** Priklausomai nuo pjautinų medžiagų, pjaunant dideliu greičiu gali sutrumpėti atbulinių pjūklų ašmenų naudojimo trukmė.

## Priekinės lemputės uždegimas

► **Pav.5:** 1. Lemputė

**▲PERSPĖJIMAS:** Nežiūrėkite tiesiai į šviesą arba šviesos šaltinį.

Paspauskite gaiduką, kad užsidegtų lemputė. Lemputė švies to, kol spausite gaiduką. Atleidus jungiklio gaiduką, lemputė užgesa maždaug po 10 sekundžių.

**PASTABA:** Purvą nuo lempos objektyvo nuvalykite sausu skudurėliu. Būkite atsargūs, kad nesubraižytumėte lempos objektyvo, nes pablogės apšvietimas.


**PASTABA:** Jeigu įrankis perkaito, vieną minutę mirksni lemputė. Tokiu atveju palaukite, kol įrankis atvės, kad galėtumėte atlikti kitą darbą.

## Atraminės plokštės reguliavimas

Kai siaurapjūklis ašmenys atšimpa vienoje vietoje išilgai pjaunamojo krašto, atraminę plokštę reikia perstumti, kad būtų pjaunama aštria, dar nenaudota pjaunamojo krašto dalimi. Šitaip siaurapjūklis ašmenimis bus galima naudotis kur kas ilgiau.

Atraminę plokštę galima reguliuoti nustatant 6 padėtis. Norėdami pakeisti atraminės plokštės padėtį, atidarykite jos reguliavimo svirtelę ir pasirinkite tinkamą padėtį, tuomet uždarykite atraminės plokštės reguliavimo svirtelę.

► **Pav.6:** 1. Atraminė plokštė 2. Atraminės plokštės reguliavimo svirtelė

**PASTABA:** Atraminės plokštės negalima užfiksuoti, jei ji išžesta toliau nei  įspaud  žyma. Šioje padėtyje neuždarykite atraminės plokštės reguliavimo svirtelės per jėgą. Svirtelė gali sulūžti.

**PASTABA:** Atraminę plokštę galima reguliuoti tik visiškai atidarius jos reguliavimo svirtelę.

## Kablys

**▲ PERSPĖJIMAS:** Pakabindami įrankį, blokvavimo / greičio keitimo svirtelę nustatykite į padėtį, kad gaidukas būtų blokuojamas. (Žr. skyrių „Jungiklio veikimas“).

**▲ PERSPĖJIMAS:** Niekada nekabinkite įrankio labai aukštai arba ant nestabilaus paviršiaus.

► **Pav.7:** 1. Kablys

Kablys leidžia patogiai laikinai pakabinti įrankį. Norėdami naudoti kablį, paprasčiausiai pakelkite, kol jis užsifiksuos į atidarytą padėtį. Kai nenaudojate, visada nuleiskite kablį, kol jis užsifiksuos į uždarytą padėtį.

## Elektroninė funkcija

Prietaise yra elektroninė funkcija paprastam naudojimui.

## Nuolatinis greičio reguliavimas

Greičio kontrolės funkcija užtikrina pastovų sukimosi greitį, nepriklausomai nuo apkrovos.

## SURINKIMAS

**▲ PERSPĖJIMAS:** Prieš darydami ką nors įrankiui visada patikrinkite, ar įrenginys išjungtas, o akumuliatorių kasetė – nuimta.

## Siaurapjūklio ašmenų montavimas arba nuėmimas

**▲ PERSPĖJIMAS:** Visuomet nuvalykite visas prieš pjūklą ir aplink pjūklą veržtuvą prilipusias drožles arba medžiagos gabalėlius. Jeigu nevalysite, pjūklas gali atsilaisvinti ir sužeisti jus.

Norėdami sumontuoti atbulinių pjūklų ašmenis, iki galo patraukite atleidimo svirtelę, kad ašmenų veržtuvo mova pajudėtų į atlaisvintą padėtį, tada galite įdėti atbulinių pjūklų ašmenis.

► **Pav.8:** 1. Atlaisvinimo svirtelė 2. Ašmenų veržtuvo mova 3. Atlaisvinimo padėtis 4. Fiksavimo padėtis

**PASTABA:** Visada patraukite atlaisvinimo svirtelę iki pat galo. To nepadarius, ašmenų veržtuvas nepajudės į atlaisvintą padėtį ir nebus galima įdėti atbulinių pjūklų ašmenų.

Iki pat galo įdėkite atbulinių pjūklų ašmenis į ašmenų veržtuvo movą. Ašmenų veržtuvo mova užfiksuos atbulinių pjūklų ašmenis spragtelėdama. Pabandykite ištraukti atbulinių pjūklų ašmenis, kad įsitikintumėte, jog jų negalima ištraukti.

► **Pav.9:** 1. Siaurapjūklio ašmenys 2. Ašmenų veržtuvo mova

**▲ PERSPĖJIMAS:** Jeigu siaurapjūklio ašmenis įkišite nepakankamai giliai, pjaunant jie gali netikėtai išsitraukti. Tai itin pavojinga.

Norėdami ištraukti atbulinių pjūklų ašmenis, iki galo patraukite atlaisvinimo svirtelę rodyklės kryptimi.

► **Pav.10:** 1. Siaurapjūklio ašmenys 2. Atlaisvinimo svirtelė

**PASTABA:** Niekada nenaudokite atlaisvinimo svirtelės, kai naudojate gaiduką. Taip darydami galite sukelti gedimą.

## NAUDOJIMAS

**▲ PERSPĖJIMAS:** Pjudami visada tvirtai prispauskite atraminę plokštę prie ruošinio. Atraminė plokštė visada turi būti tvirtai prispausta prie ruošinio. Jeigu ji bus nuimta arba tarp jų bus tarpas, pjaunant atsiras didelė vibracija ir (arba) sąsūka ir ašmenys gali įstrigti, o tai pavojinga.

**▲ PERSPĖJIMAS:** Pjudami metalą, visada dėvėkite pirštines, apsaugančias nuo lekiančių karštų drožlių.

**▲ PERSPĖJIMAS:** Visada tvirtinau dėvėkite tinkamas akių apsaugas, atitinkančias esamus nacionalinius standartus.

**▲ PERSPĖJIMAS:** Pjudami metalą, visada naudokite tinkamą ausinimo priemonę (pjovimo alyvą). Jeigu jos nenaudosite, ašmenys gali per anksti nusidėvėti.

**▲ PERSPĖJIMAS:** Pjudami nesukite ašmenų.

Tvirtai prispauskite atraminę plokštę prie pjovinio. Laikykite tvirtai, kad įrankis nešokinėtų. Lengvai pjovimo ašmenimis palieskite ruošinį. Pirmiausia padarykite bandomąjį įpjovimą, naudodami mažesnį greitį. Po to padidinkite greitį ir tęskite pjovimą.

► **Pav.11**

**PASTABA:** Nepjaukite ruošinio, kai atraminė plokštė patraukta nuo ruošinio arba nuimta. Nesilaikant nurodymo, padidėja reakcijos jėga, todėl atbulinių pjūklų ašmenys gali sulūžti.

## TECHNINĖ PRIEŽIŪRA

**▲ PERSPĖJIMAS:** Visuomet įsitikinkite, ar įrankis yra išjungtas ir akumuliatoriaus kasetė yra nuimta prieš atlikdami apžiūrą ir priežiūrą.

**PASTABA:** Niekada nenaudokite gazolino, benzino, tirpiklio, spirito arba panašių medžiagų. Gali atsirasti išblukimų, deformacijų arba įtrūkimų.

Kad gaminyt būtų SAUGUS ir PATIKIMAS, jį taisyti, apžiūrėti ar vykdyti bet kokią kitą priežiūrą ar derinimą turi įgaliotasis kompanijos „Makita“ techninės priežiūros centras; reikia naudoti tik kompanijos „Makita“ pagamintas atsargines dalis.

## PASIRENKAMI PRIEDAI

**⚠ PERSPĖJIMAS:** Šiuos papildomus priedus arba įtaisus rekomenduojama naudoti su šioje instrukcijoje nurodytu „Makita“ bendrovės įrankiu. Naudojant bet kokius kitus papildomus priedus arba įtaisus, gali kilti pavojus sužeisti žmones. Naudokite tik nurodytam tikslui skirtus papildomus priedus arba įtaisus.

Jeigu norite daugiau sužinoti apie tuos priedus, kreipkitės į artimiausią „Makita“ techninės priežiūros centrą.

- Atbulinių pjūklų ašmenys
- Originalus „Makita“ akumulatorius ir įkroviklis

**PASTABA:** Kai kurie sąrašė esantys priedai gali būti pateikti įrankio pakuotėje kaip standartiniai priedai. Jie įvairiose šalyse gali skirtis.

## TEHNILISED ANDMED

<b>Mudel:</b>		<b>JR001G</b>
Käigu pikkus		32 mm
Käikude arv minutis	Kiire (2)	0 – 3 000 min <sup>-1</sup>
	Aeglane (1)	0 – 2 300 min <sup>-1</sup>
Max löikevõimekus	Toru	130 mm
	Puit	255 mm
Nimipinge		Alalisvool 36 V – 40 V max
Üldpikkus	BL4025	457 mm
	BL4040	472 mm
Netokaal		4,2 - 4,5 kg

- Meie pideva uuringu- ja arendusprogrammi tõttu võidakse tehnilisi andmeid muuta ilma sellest ette teatamata.
- Tehnilised andmed ja akukassett võivad riigiti erineda.
- Kaal võib erineda olenevalt liseseadistest, kaasa arvatud akukassetist. Kergeim ja raskeim kombinatsioon EPTA-protseduuri 01/2014 kohaselt on toodud tabelis.

### Sobiv akukassett ja laadija

Akukassett	BL4025 / BL4040
Laadija	DC40RA

- Mõned eespool loetletud akukassetid ja -laadijad ei pruugi olla teie riigis saadaval.

**⚠ HOIATUS:** Kasutage ainult ülalpool loetletud akukassette ja laadureid. Muude akukassetide ja laadurite kasutamine võib tekitada vigastusi ja/või tulekahju.

### Kavandatud kasutus

Tööriist on ette nähtud puidu, plasti ja rauasulamite saagimiseks.

### Müra

Tüüpiline A-korrigeeritud müratase, määratud standardi EN62841-2-11 kohaselt:

Helirõhutase ( $L_{pA}$ ): 85 dB (A)

Helivõimsuse tase ( $L_{WA}$ ): 96 dB (A)

Määramatus (K): 3 dB (A)

**MÄRKUS:** Deklareeritud müra väärtust (väärtuseid) on mõõdetud kooskõlas standardse katsemeetodiga ning seda võib kasutada ühe seadme võrdlemiseks teisega.

**MÄRKUS:** Deklareeritud müra väärtust (väärtuseid) võib kasutada ka mürataseme esmaseks hindamiseks.

**⚠ HOIATUS:** Kasutage kõrvakaitsmeid.

**⚠ HOIATUS:** Müratase võib elektritööriista tegelikkuses kasutamise ajal erineda deklareeritud väärtus(t)est olenevalt tööriista kasutusviisidest ja eriti töödeldavast toorikust.

**⚠ HOIATUS:** Rakendage operaatori kaitsmiseks kindlasti piisavaid ohutusabinõusid, mis põhinevad hinnangulisel müratasemel tegelikus tööolukorras (võttes arvesse tööperioodi kõiki osasid, näiteks korrad, kui seade lülitatakse välja ja seade töötab tühikäigul, lisaks tööajale).

### Vibratsioon

Vibratsiooni koguväärtus (kolmeteljeliste vektorite summa) määratud standardi EN62841-2-11 kohaselt:

Töörežiim: laudade saagimine

Vibratsiooni emissioon ( $a_{h,B}$ ): 18,0 m/s<sup>2</sup>

Määramatus (K): 1,5 m/s<sup>2</sup>

Töörežiim: puittalade saagimine

Vibratsiooni emissioon ( $a_{h,WB}$ ): 19,5 m/s<sup>2</sup>

Määramatus (K): 2,0 m/s<sup>2</sup>

**MÄRKUS:** Deklareeritud vibratsiooni koguväärtust (-väärtuseid) on mõõdetud kooskõlas standardse katsemeetodiga ning seda võib kasutada ühe seadme võrdlemiseks teisega.

**MÄRKUS:** Deklareeritud vibratsiooni koguväärtust (-väärtuseid) võib kasutada ka mürataseme esmaseks hindamiseks.

**⚠ HOIATUS:** Vibratsioonitase võib elektritööriista tegelikkuses kasutamise ajal erineda deklareeritud väärtus(t)est olenevalt tööriista kasutusviisidest ja eriti töödeldavast toorikust.

**⚠ HOIATUS:** Rakendage operaatori kaitsmiseks kindlasti piisavaid ohutusabinõusid, mis põhinevad hinnangulisel müratasemel tegelikus tööolukorras (võttes arvesse tööperioodi kõiki osasid, näiteks korrad, kui seade lülitatakse välja ja seade töötab tühikäigul, lisaks tööajale).

## EÜ vastavusdeklaratsioon

### Ainult Euroopa riikide puhul

EÜ vastavusdeklaratsioon sisaldub käesoleva juhendi Lisas A.

## OHUTUSHOIATUSED

### Üldised elektritööriistade ohutusohiatused

**▲HOIATUS:** Lugege läbi kõik selle elektritööriistaga kaasas olevad ohutusohiatused, juhised, joonised ja tehnilised andmed. Järgnevate juhiste eiramine võib põhjustada elektrilöögi, süttimise ja/või raske kehavigastuse.

## Hoidke edaspidisteks viide- teks alles kõik hoiatused ja juhtnöörid.

Hoiatuses kasutatud termini „elektritööriist“ all peetakse silmas elektriga töötavaid (juhtmega) elektritööriistu või akuga töötavaid (juhtmeta) elektritööriistu.

### Juhtmeta lõikesae ohutusjuhised

1. Hoidke elektritööriista lõikamise ajal isoleeritud käepidemest, kui lõikeriist võib kokku puutuda peidetud juhtmetega. Voolu all oleva juhtmega kokkupuutesse sattunud lõiketera võib pingestada elektritööriista metallosi ning põhjustada kasutajale elektrilöögi.
2. Kasutage klambreid või mõnda muud sobivat viisi töödeldava detaili kinnitamiseks ja toetamiseks stabiilsele alusele. Töödeldava detaili hoidmisel käega või vastu keha on detail ebastabiilses asendis ning võib põhjustada kontrolli kaotust.
3. Kasutage alati kaitseprille või ohutusprille. Tavalised prillid või päikesepriidid EI OLE kaitseprillid.
4. Vältige naeltesse sisselõikamist. Kontrollige, kas töödeldavas details on nael. Eemaldage need enne töö alustamist.
5. Ärge lõigake ülemõodulist detaili.
6. Enne lõikamist kontrollige sobiva eraldamisvahemiku olemasolu töödeldava detaili ja toetuspinna vahel nii, et lõiketera ei tabaks põrandat, tööpinki jne.
7. Hoidke tööriistast kindlalt kinni.
8. Veenduge, et lihvketas ei puutuks enne tööriista sisselülitamist vastu töödeldavat detaili.
9. Hoidke käed liikuvatest osadest eemal.
10. Ärge jätke tööriista käima. Käivitage tööriist ainult siis, kui hoiate seda käes.
11. Enne lõiketera eemaldamist töödeldavast detailist lülitage tööriist alati vooluvõrgust välja ja oodake, kuni lõiketera on lõplikult seiskunud.

12. Ärge puudutage saelehte ega töödeldavat detaili vahetult pärast tööoperatsiooni, sest need võivad olla äärmiselt kuumad ja põletada nahka.
13. Ärge käitage tööriista tarbetult koormamata olekus.
14. Kasutage alati õiget tolmu- ja respiratorit, mis vastab materjalile ja rakendusele, millega töötate.
15. Mõned materjalid võivad sisaldada mürgiseid aineid. Võtke meetmed tolmu sissehingamise ja nahaga kokkupuute vältimiseks. Järgige materjali tarnija ohustusteavet.
16. Enne töötamist veenduge, et töödeldavas details ei oleks selliseid varjatud esemeid nagu elektri-, vee- või gaasitoru. Muidu võib lõikesaetera nende vastu puutuda, mis võib põhjustada elektrilööki, elektri- või gaasileket.

## HOIDKE JUHEND ALLES.

**▲HOIATUS:** ÄRGE UNUSTAGE järgida toote ohutusnõudeid mugavuse või toote (korduskasutamisega saavutatud) hea tundmise tõttu. VALE KASUTUS või kasutusjuhendi ohutuseeskirjade eiramine võib põhjustada tervisekahjustusi.

### Akukassetiga seotud olulised ohutusjuhised

1. Enne akukassetti kasutamist lugege (1) akulaadimise, (2) aku ja (3) seadmel olevad juhtnöörid ja hoiatused läbi.
2. Ärge võtke akukassetti lahti ega muutke seda. See võib põhjustada tulekahju, liigset kuumust või plahvatuse.
3. Kui tööaeg järsult lüheneb, siis lõpetage kohe kasutamine. Edasise kasutamise tulemuseks võib olla ülekuumenemisoht, võimalikud põletused või isegi plahvatus.
4. Kui elektrolüüti satub silma, siis loputage silma puhta veega ja pöörduge koheselt arsti poole. Selline õnnetus võib põhjustada pimedaksjäämist.
5. Ärge tekitage akukassetis lühis:
  - (1) Ärge puutuge klemme elektrijuhtidega.
  - (2) Ärge hoidke akukassetti tööriistakastis koos metalliesemetega, nagu naelad, mündid jne.
  - (3) Ärge tehke akukassetti märjaks ega jätke seda vihma kätte.Aku lühis võib põhjustada tugevat elektrivoolu, ülekuumenemist, põletusi ning ka seadet tõsiselt kahjustada.
6. Ärge hoidke tööriista ja akukassetti kohtades, kus temperatuur võib tõusta üle 50 °C.
7. Ärge põletage akukassetti isegi siis, kui see on saanud tõsiselt vigastada või on täiesti kulumud. Akukassett võib tules plahvatada.
8. Ärge naelutage, lõigake, muljuge, visake akukassetti ega laske sel kukkuda, samuti ärge lööge selle pihta kõva esemega. Selline tegevus võib põhjustada tulekahju, liigset kuumust või plahvatuse.
9. Ärge kasutage kahjustatud akut.



10. **Sisalduvatele liitium-ioonakudele võivad kohalduda ohtlike kaupade õigusaktide nõuded.**  
Kaubanduslikul transportimisel, näiteks kolmandate poolte või transpordiettevõtete poolt, tuleb järgida pakendil ja siltidel toodud erinõudeid. Transportimiseks ettevalmistamisel on vajalik pidada nõu ohtliku materjali eksperdigiga. Samuti tuleb järgida võimalike riiklike regulatsioonide üksikasjalikumaid nõudeid.  
Katke teibiga või varjake avatud kontaktid ja pakendage aku selliselt, et see ei saaks pakendis liikuda.
11. **Kasutuskõlbmatuks muutunud akukasseti kõrvaldamiseks eemaldage see tööriistast ja viige selleks ette nähtud kohta. Järgige kasutuskõlbmatuks muutunud aku kõrvaldamisel kohalikke eeskirju.**
12. **Kasutage akusid ainult Makita heaks kiidetud toodetega.** Akude paigaldamine selleks mitte ettenähtud toodetele võib põhjustada süttimist, ülemäärast kuumust, plahvatamist või elektrolüüdi lekkimist.
13. **Kui tööriista ei kasutata pika ajaperioodi jooksul, tuleb aku tööriistast eemaldada.**
14. **Kasutamise ajal ja pärast kasutamist võib akukassett kuumeneda, mis võib põhjustada põletusi või madala temperatuuri põletusi. Olge kuuma akukasseti kandmisel ettevaatlik.**
15. **Ärge puudutage tööriista klemmi kohe pärast kasutamist, sest see võib olla kuum ja põhjustada põletusi.**
16. **Hoidke akukasseti klemmid, avad ja sooned tükikestest, tolmust ja mullast puhtad.** Muidu võib tööriist või akukassett halvasti töötada või puruneda.
17. **Kui tööriist ei kannata kasutamist kõrgepingeliinide lähedal, ärge kasutage akukasseti kõrgepingeliinide lähedal.** Muidu võib tööriist või akukassett puruneda või sellel tõrge tekkida.

## HOIDKE JUHEND ALLES.

**⚠ETTEVAATUST:** Kasutage ainult Makita originaalakusid. Mitte Makita originaalakude või muudetud akude kasutamine võib põhjustada akude süttimise, kehavigastuse ja kahjustuse. Samuti muudab see kehtetuks Makita tööriista ja laadija Makita garantii.

## Vihjeid aku maksimaalse kasutaja tagamise kohta

1. **Laadige akukassetti enne selle täielikku tühjenemist.** Kui märkate, et tööriist töötab väiksema võimsusega, peatage töö ja laadige akukassetti.
2. **Ärge laadige täielikult laetud akukassetti.** Ülelaadimine lühendab akude kasutusiga.
3. **Laadige akukassetti toatemperatuuril 10 °C - 40 °C.** Enne laadimist laske kuumenenud akukassetil maha jahtuda.
4. **Kui te ei kasuta parajasti akukassetti, eemaldage see tööriistast või laadurist.**
5. **Kui te ei kasuta akukassetti kauem kui kuus kuud, laadige see.**

## FUNKTSIONAALNE KIRJELDUS

**⚠ETTEVAATUST:** Kandke alati hoolt selle eest, et tööriist oleks enne reguleerimist ja kontrollimist välja lülitatud ja akukassett eemaldatud.

### Akukasseti paigaldamine või eemaldamine

**⚠ETTEVAATUST:** Lülitage tööriist alati enne akukasseti paigaldamist või eemaldamist välja.

**⚠ETTEVAATUST:** Akukasseti paigaldamisel või eemaldamisel tuleb tööriista ja akukassetti kindlalt paigal hoida. Kui tööriista ja akukassetti ei hoita kindlalt paigal, võivad need käest libiseda ning kahjustada tööriista ja akukassetti või põhjustada kehavigastusi.

► **Joon.1:** 1. Punane näidik 2. Nupp 3. Akukassett

Akukasseti eemaldamiseks libistage see tööriista küljest lahti, vajutades kasseti esiküljel paiknevat nuppu alla.

Akukasseti paigaldamiseks joondage akukasseti keel korpuse soonega ja libistage kassett oma kohale. Paigaldage akuadapter alati nii kaugele, et see lukustus klõpsatusega oma kohale. Kui näete nupu ülaosas punast osa, pole kassett täielikult lukustunud.

**⚠ETTEVAATUST:** Paigaldage akukassett alati täies ulatuses nii, et punast osa ei jääks näha.

Muidu võib adapter juhuslikult tööriistast välja kukkuda ning põhjustada teile või läheduses viibivatele isikutele vigastusi.

**⚠ETTEVAATUST:** Ärge rakendage akukasseti paigaldamisel jõudu. Kui kassett ei lähe kergesti sisse, pole see õigesti paigaldatud.

### Tööriista/aku kaitsesüsteem

Tööriist on varustatud tööriista või aku kaitsesüsteemiga. Süsteem lülitab mootori automaatselt välja, et pikendada tööriista ja aku tööiga. Tööriist seiskub käitamise ajal automaatselt, kui tööriista või aku kohta kehtib üks järgmistest tingimustest.

### Ülekoormuskaitse

Kui akut kasutatakse viisil, mis nõuab akust tavatult palju voolu, seiskub tööriist ilma mingi näiduta. Sellises olukorras lülitage tööriist välja ja lõpetage tegevus, mis põhjustas tööriista ülekoormuse. Seejärel lülitage tööriist taaskäivitamiseks uuesti sisse.

### Ülekuumenemiskaitse

Kui tööriist või aku on ülekuumenenud, peatub tööriist automaatselt ja lamp vilgub. Sellisel juhul laske tööriistal ja akul maha jahtuda, enne kui tööriista uuesti sisse lülitate.

### Ülelaadimiskaitse

Kui aku jääkmahutavus pole piisav, seiskub tööriist automaatselt ja märgutuli hakkab vilkuma. Sellisel juhul eemaldage aku tööriistast ja laadige akut.



## Aku jäämahutavuse näit

Akukasseti järelejäänud mahutavuse kontrollimiseks vajutage kontrollimise nuppu. Märgulambid süttivad mõneks sekundiks.

► **Joon.2:** 1. Märgulambid 2. Kontrollimise nupp

Märgulambid			Jäämahutavus
			75 - 100%
			50 - 75%
			25 - 50%
			0 - 25%
			Laadige akut.
			Akul võib olla tõrge.

**MÄRKUS:** Näidatud mahutavus võib veidi erineda tegelikust mahutavusest olenevalt kasutustingimustest ja ümbritseva keskkonna temperatuurist.

## Lüliti funktsioneerimine

**⚠ETTEVAATUST:** Kontrollige alati enne akukasseti tööriista külge paigaldamist, kas lüliti päästik funktsioneerib nõuetekohaselt ja liigub lahtilaskmisel tagasi väljalülitatud asendisse.

**TÄHELEPANU:** Ärge kasutage lukustuse/kiiruse-regulaatori hooba siis, kui tööriist töötab. See võib tööriista kahjustada.

► **Joon.3:** 1. Lukustuse/kiiruse-regulaatori hoob  
2. Lüliti päästik 3. Lukustuse/kiiruse-regulaatori hoova olek

► **Joon.4**

Tööriista käivitamiseks vajutage lukustuse/kiiruse-regulaatori hooba kas A või B küljelt ja vajutage lüliti päästikule.

Tööriista kiirus kasvab koos lüliti päästikule surve suurendamisega. Vabastage lüliti päästik tööriista seiskamiseks.

Tööriista suurimat kiirust saab muuta kahes etapis.

- Suur kiirus  
A-küljelt lukustuse/kiiruse-regulaatori hoovale vajutamisel on valitud käigukiirus „2“.
- Madal kiirus  
B-küljelt lukustuse/kiiruse-regulaatori hoovale vajutamisel on valitud käigukiirus „1“.

Kui lukustuse/kiiruse-regulaatori hoob on asendis , on tööriist lukustatud ja lüliti päästik ei ole võimalik vajutada.

## Kiiruse valimine

Suur kiirus on sobilik pehmete materjalide, näiteks puudu lõikamiseks. Väike kiirus on sobilik kõvade materjalide, näiteks metalli lõikamiseks.

Materjal	Luku / kiiruse-regulaatori hoova asend	Käikude arv minutis
Puit ALC	2 (suur kiirus)	0–3 000
Karastamata teras Roostevaba teras Malm Alumiinium Plast	1 (väike kiirus)	0–2 300

**TÄHELEPANU:** Kasutage alati lõigatava materjali lõikamiseks ettenähtud lõikesaetera. Kasutage alati spetsiaalselt lõigatava materjali jaoks mõeldud lõikesaetera, eriti roostevabast terasest või malmist torude lõikamisel.

**TÄHELEPANU:** Suurel kiirusel lõikamine võib olenevalt lõigatavast materjalist lühendada lõikesaetera tööiga.

## Eesmise lambi süütamine

► **Joon.5:** 1. Lamp

**⚠ETTEVAATUST:** Ärge vaadake otse valgusesse ega valgusallikat.

Lambi süütamiseks tõmmake lüliti päästikut. Lamp põleb sel ajal, kui tõmmatakse lüliti päästikut. Lamp kustub umbes 10 sekundit pärast lüliti päästiku vabastamist.

**MÄRKUS:** Pühkige lamp kuiva lapiga puhtaks. Olge seda tehes ettevaatlik, et lambi läätse mitte kriimustada, sest muidu võib valgustus väheneda.

**MÄRKUS:** Kui tööriist on üle kuumenenud, vilgub lamp ühe minuti vältel. Sellisel juhul laske tööriistal enne töö jätkamist maha jahtuda.

## Talla reguleerimine

Kui lõiketera kaotab oma tera ulatuse ühes kohas lõiketeravuse, muutke talla asendit, et kasutada tera lõikeserva teravat, veel kasutamata osa. See aitab pikendada lõiketera kasutusiga.

Talla asendit saab reguleerida 6 tasemele.

Tallale uue asendi andmiseks avage talle reguleerimishoob, valige uus sobiv asend ja sulgege seejärel talle reguleerimishoob.

► **Joon.6:** 1. Tald 2. Talla reguleerimishoob

**TÄHELEPANU:** Kinga ei saa kinnitada, kui seda on pikendatud üle markeeringul oleva <sup>MAX</sup> → I märgistuse. Ärge sulgege kinga reguleerimishooba sellesse asendisse liigset jõudu kasutades. See võib põhjustada hoova purunemist.

**MÄRKUS:** Talda ei ole võimalik reguleerida ilma talla reguleerimishooba lõpuni avamata.

## Konks

**⚠ETTEVAATUST:** Tööriista lukustamisel seadke lukustuse/kiiruserregulaatori hoob lüliti päästiku lukustamiseks asendisse **II**. (Vt lõiku pealkirjaga „Lüliti funktsioneerimine“.)

**⚠ETTEVAATUST:** Ärge kunagi riputage tööriista kõrgesse või tõenäoliselt ebakindlasse kohta.

► Joon.7: 1. Konks

Konks on käepärane lahendus tööriista ajutiseks riputamiseks.

Konksu kasutamiseks tõstke konks üles, kuni see lukustub avatud asendisse. Kui konksu ei kasutata, langetage konks, kuni see lukustub suletud asendisse.

## Elektrooniline funktsioon

Tööriist on varustatud lihtsama kasutamise jaoks elektrooniliste funktsioonidega.

## Püsikiiruse juhtimine

Kiiruse juhtimise funktsioon tagab koormusest olenevata püsiva pöörlemiskiiruse.

## KOKKUPANEK

**⚠ETTEVAATUST:** Kandke alati hoolt selle eest, et tööriist oleks enne igasuguseid hooldustöid välja lülitatud ja akukassett eemaldatud.

## Saetera paigaldamine või eemaldamine

**⚠ETTEVAATUST:** Puhastage tera ja/või teraklambrid ja selle ümbrus alati külge jäänud laastudest või lahtistest osakestest. Muidu võib tera pingutus olla ebapiisav ja põhjustada tõsise vigastuse.

Lõikesaetera paigaldamiseks tõmmake vabastushooba täielikult nii, et teraklambrid hülss läheks enne lõikesaetera sisestamist vabastatud asendisse.

► Joon.8: 1. Vabastushoob 2. Teraklambrid hülss 3. Avatud asend 4. Fikseeritud asend

**MÄRKUS:** Tõmmake vabastushooba alati täielikult lõpuni. Muidu ei lähe teraklambrid hülss vabastatud asendisse ja lõikesaetera ei ole võimalik sisestada.

Sisestage lõikesaetera võimalikult sügavale teraklambrid hülssi pesse. Teraklambrid hülss haarab lõikesaetera klõpsuga. Veenduge, et lõikesaetera ei saaks eemaldada, isegi kui proovite seda välja tõmmata.

► Joon.9: 1. Lõikesaetera 2. Teraklambrid hülss

**⚠ETTEVAATUST:** Kui te ei pane lõikesaetera piisavalt sügavale, võib see töö käigus ootamatult välja tulla. See võib olla äärmiselt ohtlik.

Lõikesaetera eemaldamiseks tõmmake vabastushooba noole suunas lõpuni.

► Joon.10: 1. Lõiketera 2. Vabastushoob

**TÄHELEPANU:** Ärge kunagi kasutage vabastushooba lüliti päästikuga samal ajal. See võib põhjustada talitlushäireid.

## TÖÖRIISTA KASUTAMINE

**⚠ETTEVAATUST:** Suruge tald töö käigus alati kindlalt töödeldava detaili vastu. Kui tald eemaldatakse või seda hoitakse töötamise ajal töödeldavast detailist eemal, tekib tugev vibratsioon ja/või väändumine, mis põhjustab tera ohtliku murdumise.

**⚠ETTEVAATUST:** Metallilõikamisel kandke alati kindaid, et kaitsta käsi õhku paiskuvate kuumade laastude eest.

**⚠ETTEVAATUST:** Kandke kindlasti alati sobivaid kaitseprille, mis vastavad kehtivatele riiklikele standarditele.

**⚠ETTEVAATUST:** Kasutage metallilõikamisel alati sobivat jahutusainet (metallitõõtlusõli). Muidu on tagajärjeks tera enneaegne kulumine.

**⚠ETTEVAATUST:** Ärge väänake tera lõikamise ajal.

Suruge tald kindlalt töödeldava detaili vastu. Ärge laske tööriistal hüpata. Pange lõikesaetera kergelt vastu töödeldavat detaili. Kõigepealt tehke madalamal kiirusel eelsoon. Seejärel jätkake lõikamist suuremal kiirusel.

► Joon.11

**TÄHELEPANU:** Ärge lõigake töödeldavat detaili viisil, kus king asub töödeldavast detailist eemal, ega ilma kingata. See suurendab reaktsioonijõudu, mis võib lõikesaetera murda.

## HOOLDUS

**⚠ETTEVAATUST:** Enne kontrolli- või hooldustoimingute tegemist kandke alati hoolt selle eest, et tööriist oleks välja lülitatud ja akukassett korpuse küljest eemaldatud.

**TÄHELEPANU:** Ärge kunagi kasutage bensiini, vedeldit, alkoholi ega midagi muud sarnast. Selle tulemuseks võib olla luitumine, deformatsioon või pragunemine.

Toote OHUTUSE ja TÖÖKINDLUSE tagamiseks tuleb vajalikud remonttööd ning muud hooldus- ja reguleerimistööd lasta teha Makita volitatud teeninduskeskustes või tehase teeninduskeskustes. Alati tuleb kasutada Makita varuosi.

# VALIKULISED TARVIKUD

**⚠ETTEVAATUST:** Neid tarvikuid ja lisaseadiseid on soovitatav kasutada koos Makita tööriistaga, mille kasutamist selles kasutusjuhendis kirjeldatakse. Muude tarvikute ja lisaseadiste kasutamisega kaasneb vigastada saamise oht. Kasutage tarvikuid ja lisaseadiseid ainult otstarbekohaselt.

Saate vajaduse korral kohalikust Makita teeninduskeskusest lisateavet nende tarvikute kohta.

- Lõikesaeterad
- Makita algupärane aku ja laadija

**MÄRKUS:** Mõned nimekirjas loetletud tarvikud võivad kuuluda standardvarustusse ning need on lisatud tööriista pakendisse. Need võivad riigiti erineda.

## ТЕХНИЧЕСКИЕ ХАРАКТЕРИСТИКИ

Модель:		JR001G
Длина хода		32 мм
Рабочая частота	Высокая (2)	0–3 000 мин <sup>-1</sup>
	Низкая (1)	0–2 300 мин <sup>-1</sup>
Макс. режущая способность	Трубка	130 мм
	Древесина	255 мм
Номинальное напряжение		от 36 В до 40 В пост. тока макс.
Общая длина	с BL4025	457 мм
	с BL4040	472 мм
Масса нетто		4,2 - 4,5 кг

- Благодаря нашей постоянно действующей программе исследований и разработок указанные здесь технические характеристики могут быть изменены без предварительного уведомления.
- Технические характеристики и аккумуляторный блок могут отличаться в зависимости от страны.
- Масса может отличаться в зависимости от дополнительного оборудования. Обратите внимание, что блок аккумулятора также считается дополнительным оборудованием. В таблице представлены комбинации с наибольшим и наименьшим весом в соответствии с процедурой EPTA 01/2014.

### Подходящий блок аккумулятора и зарядное устройство

Блок аккумулятора	BL4025 / BL4040
Зарядное устройство	DC40RA

- В зависимости от региона проживания некоторые блоки аккумуляторов и зарядные устройства, перечисленные выше, могут быть недоступны.

**⚠ ОСТОРОЖНО:** Используйте только перечисленные выше блоки аккумуляторов и зарядные устройства. Использование других блоков аккумуляторов и зарядных устройств может привести к травме и/или пожару.

### Назначение

Данный инструмент предназначен для распиливания древесины, резки пластика и черного металла.

### Шум

Типичный уровень взвешенного звукового давления

(A), измеренный в соответствии с EN62841-2-11:

Уровень звукового давления ( $L_{pA}$ ): 85 дБ (A)

Уровень звуковой мощности ( $L_{WA}$ ): 96 дБ (A)

Погрешность (K): 3 дБ (A)

**ПРИМЕЧАНИЕ:** Заявленное значение распространения шума измерено в соответствии со стандартной методикой испытаний и может быть использовано для сравнения инструментов.

**ПРИМЕЧАНИЕ:** Заявленное значение распространения шума можно также использовать для предварительных оценок воздействия.

**⚠ ОСТОРОЖНО:** Используйте средства защиты слуха.

**⚠ ОСТОРОЖНО:** Распространение шума во время фактического использования электроинструмента может отличаться от заявленного значения в зависимости от способа применения инструмента и в особенности от типа обрабатываемой детали.

**⚠ ОСТОРОЖНО:** Обязательно определите меры безопасности для защиты оператора, основанные на оценке воздействия в реальных условиях использования (с учетом всех этапов рабочего цикла, таких как выключение инструмента, работа без нагрузки и включение).

### Вибрация

Суммарное значение вибрации (сумма векторов по трем осям), определенное в соответствии с EN62841-2-11:

Рабочий режим: резка панелей

Распространение вибрации ( $a_{h,v}$ ): 18,0 м/с<sup>2</sup>

Погрешность (K): 1,5 м/с<sup>2</sup>

Рабочий режим: резка деревянных балок

Распространение вибрации ( $a_{h,vb}$ ) 19,5 м/с<sup>2</sup>

Погрешность (K): 2,0 м/с<sup>2</sup>

**ПРИМЕЧАНИЕ:** Заявленное общее значение распространения вибрации измерено в соответствии со стандартной методикой испытаний и может быть использовано для сравнения инструментов.

**ПРИМЕЧАНИЕ:** Заявленное общее значение распространения вибрации можно также использовать для предварительных оценок воздействия.

**⚠ОСТОРОЖНО:** Распространение вибрации во время фактического использования электроинструмента может отличаться от заявленного значения в зависимости от способа применения инструмента и в особенности от типа обрабатываемой детали.

**⚠ОСТОРОЖНО:** Обязательно определите меры безопасности для защиты оператора, основанные на оценке воздействия в реальных условиях использования (с учетом всех этапов рабочего цикла, таких как выключение инструмента, работа без нагрузки и включение).

## Декларация о соответствии ЕС

*Только для европейских стран*

Декларация о соответствии ЕС включена в руководство по эксплуатации (Приложение А).

## МЕРЫ БЕЗОПАСНОСТИ

### Общие рекомендации по технике безопасности для электроинструментов

**⚠ОСТОРОЖНО:** Ознакомьтесь со всеми предостереженными инструкциями по технике безопасности, указаниями, иллюстрациями и техническими характеристиками, прилагаемыми к данному электроинструменту. Несоблюдение каких-либо инструкций, указанных ниже, может привести к поражению электрическим током, пожару и/или серьезной травме.

### Сохраните брошюру с инструкциями и рекомендациями для дальнейшего использования.

Термин "электроинструмент" в предупреждениях относится ко всему инструменту, работающему от сети (с проводом) или на аккумуляторах (без провода).

### Правила техники безопасности при эксплуатации аккумуляторной сабельной пилы

1. Если при выполнении работ существует риск контакта режущего инструмента со скрытой электропроводкой, держите электроинструмент за специально предназначенные изолированные поверхности. Контакт с проводом под напряжением приведет к тому, что металлические детали инструмента также будут под напряжением, что приведет к поражению оператора электрическим током.

2. Для фиксации разрезаемой детали на устойчивой поверхности используйте зажимы или другие соответствующие приспособления. Никогда не держите распиливаемые детали в руках и не прижимайте их к телу, так как это не обеспечит устойчивого положения детали и может привести к потере контроля над инструментом.
3. Обязательно надевайте защитные очки или защитную маску для лица. Обычные или солнцезащитные очки НЕ ЯВЛЯЮТСЯ защитными очками.
4. Избегайте попадания режущего инструмента на гвозди. Перед пилением осмотрите деталь и убедитесь в отсутствии гвоздей.
5. Не распиливайте детали, превышающие допустимый размер.
6. Убедитесь в наличии свободного пространства за распиливаемой деталью, чтобы полотно не уперлось в пол, верстак и т. п.
7. Крепко держите инструмент.
8. Перед включением выключателя убедитесь в том, что диск не касается обрабатываемой детали.
9. Руки должны находиться на расстоянии от движущихся деталей.
10. Не оставляйте работающий инструмент без присмотра. Включайте инструмент только тогда, когда он находится в руках.
11. Перед извлечением полотна из детали всегда выключайте инструмент и ждите остановки движения полотна.
12. Не касайтесь полотна или обрабатываемой детали сразу же после работы; они могут быть очень горячими и обжечь кожу.
13. Без необходимости не эксплуатируйте инструмент без нагрузки.
14. Обязательно используйте соответствующую пылезащитную маску/респиратор для защиты дыхательных путей от пыли разрезаемых материалов.
15. Некоторые материалы могут содержать токсичные химические вещества. Примите соответствующие меры предосторожности, чтобы избежать вдыхания или контакта с кожей таких веществ. Соблюдайте требования, указанные в паспорте безопасности материала.
16. Перед началом работы убедитесь в том, что в обрабатываемой детали не проходят линии электрообращения, водопроводы или газопроводы. В противном случае полотно сабельной пилы может коснуться этих предметов, что приведет к удару электрическим током, утечке тока или газа.

## СОХРАНИТЕ ДАННЫЕ ИНСТРУКЦИИ.

**⚠ОСТОРОЖНО:** НЕ ДОПУСКАЙТЕ, чтобы удобство или опыт эксплуатации данного устройства (полученный от многократного использования) доминировали над строгим соблюдением правил техники безопасности при обращении с этим устройством. НЕПРАВИЛЬНОЕ ИСПОЛЬЗОВАНИЕ инструмента или несоблюдение правил техники безопасности, указанных в данном руководстве, может привести к тяжелой травме.

## Важные правила техники безопасности для работы с аккумуляторным блоком

1. Перед использованием аккумуляторного блока прочитайте все инструкции и предупреждающие надписи на (1) зарядном устройстве, (2) аккумуляторном блоке и (3) инструменте, работающем от аккумуляторного блока.
2. Не разбирайте блок аккумулятора и не меняйте его конструкцию. Это может привести к пожару, перегреву или взрыву.
3. Если время работы аккумуляторного блока значительно сократилось, немедленно прекратите работу. В противном случае, может возникнуть перегрев блока, что приведет к ожогам и даже к взрыву.
4. В случае попадания электролита в глаза промойте их обильным количеством чистой воды и немедленно обратитесь к врачу. Это может привести к потере зрения.
5. Не замыкайте контакты аккумуляторного блока между собой:
  - (1) Не прикасайтесь к контактам какими-либо токопроводящими предметами.
  - (2) Не храните аккумуляторный блок в контейнере вместе с другими металлическими предметами, такими как гвозди, монеты и т. п.
  - (3) Не допускайте попадания на аккумуляторный блок воды или дождя.

Замыкание контактов аккумуляторного блока между собой может привести к возникновению большого тока, перегреву, возможным ожогам и даже поломке блока.

6. Не храните инструмент и аккумуляторный блок в местах, где температура может достигать или превышать 50 °C (122 °F).
7. Не бросайте аккумуляторный блок в огонь, даже если он сильно поврежден или полностью вышел из строя. Аккумуляторный блок может взорваться под действием огня.
8. Запрещено вбивать гвозди в блок аккумулятора, резать, ломать, бросать, ронять блок аккумулятора или ударять его твердым предметом. Это может привести к пожару, перегреву или взрыву.
9. Не используйте поврежденный аккумуляторный блок.
10. Входящие в комплект литий-ионные аккумуляторы должны эксплуатироваться в соответствии с требованиями законодательства об опасных товарах. При коммерческой транспортировке, например, третьей стороной или экспедитором, необходимо нанести на упаковку специальные предупреждения и маркировку. В процессе подготовки устройства к отправке обязательно проконсультируйтесь со специалистом по опасным материалам. Также соблюдайте местные требования и нормы. Они могут быть строже. Закройте или закрепите разомкнутые контакты и упакуйте аккумулятор так, чтобы он не перемещался по упаковке.
11. Для утилизации блока аккумулятора извлеките его из инструмента и утилизируйте безопасным способом. Выполняйте требования местного законодательства по утилизации аккумуляторного блока.

12. Используйте аккумуляторы только с продукцией, указанной Makita. Установка аккумуляторов на продукцию, не соответствующую требованиям, может привести к пожару, перегреву, взрыву или утечке электролита.
13. Если инструментом не будут пользоваться в течение длительного периода времени, извлеките аккумулятор из инструмента.
14. Во время и после использования блок аккумулятора может нагреваться, что может стать причиной ожогов или низкотемпературных ожогов. Будьте осторожны при обращении с горячим блоком аккумулятора.
15. Не прикасайтесь к контактам инструмента сразу после использования, поскольку они могут быть достаточно горячими, чтобы вызвать ожоги.
16. Не допускайте, чтобы обломки, пыль или земля прилипали к контактам, отверстиям и глазам на блоке аккумулятора. Это может привести к снижению эксплуатационных параметров, поломке инструмента или блока аккумулятора.
17. Если инструмент не рассчитан на использование вблизи высоковольтных линий электропередач, не используйте блок аккумулятора вблизи высоковольтных линий электропередач. Это может привести к неисправности, поломке инструмента или блока аккумулятора.

## СОХРАНИТЕ ДАННЫЕ ИНСТРУКЦИИ.

**▲ВНИМАНИЕ:** Используйте только фирменные аккумуляторные батареи Makita. Использование аккумуляторных батарей, не произведенных Makita, или батарей, которые были подвергнуты модификациям, может привести к взрыву аккумулятора, пожару, травмам и повреждению имущества. Это также автоматически аннулирует гарантию Makita на инструмент и зарядное устройство Makita.

## Советы по обеспечению максимального срока службы аккумулятора

1. Заряжайте блок аккумуляторов перед его полной разрядкой. Обязательно прекратите работу с инструментом и зарядите блок аккумуляторов, если вы заметили снижение мощности инструмента.
2. Никогда не подзаряжайте полностью заряженный блок аккумуляторов. Перезарядка сокращает срок службы аккумулятора.
3. Заряжайте блок аккумуляторов при комнатной температуре в 10 - 40 °C (50 - 104 °F). Перед зарядкой горячего блока аккумуляторов дайте ему остыть.
4. Если блок аккумулятора не используется, извлеките его из инструмента или зарядного устройства.
5. Зарядите ионно-литиевый аккумуляторный блок, если вы не будете пользоваться инструментом длительное время (более шести месяцев).

# ОПИСАНИЕ РАБОТЫ

**▲ВНИМАНИЕ:** Перед регулировкой или проверкой функций инструмента обязательно убедитесь, что он выключен и его аккумуляторный блок снят.

## Установка или снятие блока аккумулятора

**▲ВНИМАНИЕ:** Обязательно выключайте инструмент перед установкой и извлечением аккумуляторного блока.

**▲ВНИМАНИЕ:** При установке и извлечении аккумуляторного блока крепко удерживайте инструмент и аккумуляторный блок. Если не соблюдать это требование, они могут выскользнуть из рук, что приведет к повреждению инструмента, аккумуляторного блока и травмированию оператора.

► **Рис.1:** 1. Красный индикатор 2. Кнопка 3. Блок аккумулятора

Для снятия аккумуляторного блока нажмите кнопку на лицевой стороне и извлеките блок.

Для установки аккумуляторного блока совместите выступ аккумуляторного блока с пазом в корпусе и задвиньте его на место. Устанавливайте блок до упора так, чтобы он зафиксировался на месте с небольшим щелчком. Если вы можете видеть красный индикатор на верхней части клавиши, адаптер аккумулятора не полностью установлен на месте.

**▲ВНИМАНИЕ:** Обязательно устанавливайте аккумуляторный блок до конца, чтобы красный индикатор не был виден. В противном случае аккумуляторный блок может выпасть из инструмента и нанести травму вам или другим людям.

**▲ВНИМАНИЕ:** Не прилагайте чрезмерных усилий при установке аккумуляторного блока. Если блок не двигается свободно, значит он вставлен неправильно.

## Система защиты инструмента/аккумулятора

На инструменте предусмотрена система защиты инструмента/аккумулятора. Она автоматически отключает питание двигателя для продления срока службы инструмента и аккумулятора. Инструмент автоматически остановится во время работы в следующих случаях:

### Защита от перегрузки

Если из-за способа эксплуатации аккумулятор потребляет очень большое количество тока, он автоматически остановится без включения каких-либо индикаторов. В этом случае выключите инструмент и прекратите работу, повлекшую перегрузку инструмента. Затем включите инструмент для перезапуска.

### Защита от перегрева

При перегреве инструмента или аккумулятора инструмент автоматически останавливается, подсветка начинает мигать. В этом случае дайте инструменту/аккумулятору остыть перед повторным включением.

### Защита от переразрядки

Если емкости аккумулятора недостаточно, инструмент остановится автоматически, а индикатор начнет мигать. В этом случае извлеките аккумулятор из инструмента и зарядите его.

## Индикация оставшегося заряда аккумулятора

Нажмите кнопку проверки на аккумуляторном блоке для проверки заряда. Индикаторы загорятся на несколько секунд.

► **Рис.2:** 1. Индикаторы 2. Кнопка проверки

Индикаторы			Уровень заряда
Горит	Выкл.	Мигает	
■	□	▧	от 75 до 100%
■ ■ ■ ■	■ ■ ■ ■	■ ■ ■ ■	
■ ■ ■ ■	■ ■ ■ ■	□ □ □ □	от 50 до 75%
■ ■ ■ ■	□ □ □ □	□ □ □ □	от 25 до 50%
■ □ □ □	□ □ □ □	□ □ □ □	от 0 до 25%
▧ □ □ □	□ □ □ □	□ □ □ □	Зарядите аккумуляторную батарею.
■ ■ □ □	□ □ □ □	□ □ □ □	Возможно, аккумуляторная батарея неисправна.
□ □ □ □	□ □ □ □	■ ■ ■ ■	

**ПРИМЕЧАНИЕ:** В зависимости от условий эксплуатации и температуры окружающего воздуха индикация может незначительно отличаться от фактического значения.

## Действие выключателя

**▲ВНИМАНИЕ:** Перед установкой аккумуляторного блока в инструмент обязательно убедитесь, что его триггерный переключатель нормально работает и возвращается в положение "OFF" (ВЫКЛ) при отпуске.

**ПРИМЕЧАНИЕ:** Не используйте рычаг блокировки/изменения скорости при работающем инструменте. Это может привести к повреждению инструмента.



- **Рис.3:** 1. Рычаг блокировки/изменения скорости 2. Триггерный переключатель 3. Состояние рычага блокировки/изменения скорости

► **Рис.4**

Для того чтобы включить инструмент, потяните рычаг блокировки/изменения скорости с любой стороны (А или В), а затем - триггерный переключатель. Для увеличения числа оборотов нажмите триггерный переключатель сильнее. Отпустите триггерный переключатель для остановки.

Максимальную скорость инструмента можно изменить в 2 шага.

- Для высокой скорости  
Если рычаг блокировки/изменения скорости находится на стороне А, то выбрана скорость хода “2”.
- Для низкой скорости  
Если рычаг блокировки/изменения скорости находится на стороне В, то выбрана скорость хода “1”.

Если рычаг блокировки/изменения скорости находится в положении **В**, то инструмент заблокирован и триггерный переключатель не может быть использован.

## Выбор скорости

Высокая скорость подходит для резки мягких материалов, например древесины. Низкая скорость подходит для резки твердых материалов, например металла.

Материал	Положение рычага блокировки/изменения скорости	Рабочая частота
Дерево Ячеистый бетон автоклавного твердения	2 (Высокая скорость)	0–3 000
Мягкая сталь Нержавеющая сталь Чугун Алюминий Пластмасса	1 (Низкая скорость)	0–2 300

**ПРИМЕЧАНИЕ:** Используйте полотно сабельной пилы, соответствующее материалу заготовки. Обратите особое внимание, что при резке труб из нержавеющей стали или чугуна необходимо использовать полотно сабельной пилы, предназначенное для работы только с этими материалами.

**ПРИМЕЧАНИЕ:** В зависимости от типа материала резка заготовок с применением режима высокой скорости может сократить срок службы полотна сабельной пилы.

## Включение передней лампы

- **Рис.5:** 1. Лампа

**ВНИМАНИЕ:** Не смотрите непосредственно на свет или источник света.

Лампа продолжает гореть, пока нажат триггерный переключатель. Лампа будет светиться до тех пор, пока нажат триггерный переключатель. Лампа гаснет примерно через 10 секунд после отпускания триггерного переключателя.

**ПРИМЕЧАНИЕ:** Для удаления пыли с линзы лампы используйте сухую ткань. Не допускайте возникновения царапин на линзе лампы, так как это приведет к снижению освещенности.

**ПРИМЕЧАНИЕ:** При перегреве инструмента лампочка мигает на протяжении одной минуты. В этом случае дайте инструменту остыть, прежде чем продолжить работу.

## Регулировка башмака

Когда полотно сабельной пилы утратит свои режущие качества в одном месте его режущей кромки, переместите башмак для использования острой режущей кромки неиспользованной части полотна. Это позволит продлить срок службы полотна сабельной пилы. Положение башмака можно регулировать в пределах 6 уровней.

Для перемещения башмака откройте рукоятку регулировки и выберите подходящее положение, затем закройте рукоятку.

- **Рис.6:** 1. Башмак 2. Рукоятка регулировки башмака

**ПРИМЕЧАНИЕ:** Башмак невозможно зафиксировать, если он выдвинут за отметку **MAX** → **1**. Не перемещайте рукоятку регулировки башмака в это положение принудительно. Это может привести к поломке рукоятки.

**ПРИМЕЧАНИЕ:** Башмак невозможно регулировать, если рукоятка открыта не полностью.

## Крючок

**ВНИМАНИЕ:** Прежде чем подвесить инструмент, переведите рычаг блокировки/изменения скорости в положение **В**, чтобы заблокировать триггерный переключатель. (См. раздел “Работа переключателя”).

**ВНИМАНИЕ:** Никогда не подвешивайте инструмент на большой высоте или на потенциально неустойчивой поверхности.

- **Рис.7:** 1. Крючок

Крючок используется для временного подвешивания инструмента.

Для использования крючка просто поднимите его так, чтобы он защелкнулся в открытом положении. Если крючок не используется, опустите его так, чтобы он защелкнулся в закрытом положении.



## Электронная функция

Для простоты эксплуатации инструмент оснащен электронными функциями.

## Постоянный контроль скорости

Функция контроля скорости обеспечивает неизменное число оборотов независимо от нагрузки.

## СБОРКА

**ВНИМАНИЕ:** Перед проведением каких-либо работ с инструментом обязательно убедитесь, что инструмент отключен, а блок аккумулятора снят.

## Установка или снятие полотна сабельной пилы

**ВНИМАНИЕ:** Всегда удаляйте все опилки или инородные частицы, прилипшие к полотну и/или зажиму полотна. Несоблюдение данного требования может привести к недостаточной натяжке лезвия и серьезной травме.

Перед установкой полотна сабельной пилы до конца потяните рычаг разблокировки, чтобы перевести муфту зажима полотна в разомкнутое положение.

► **Рис.8:** 1. Рычаг разблокировки 2. Муфта зажима полотна 3. Разомкнутое положение 4. Зафиксированное положение

**ПРИМЕЧАНИЕ:** Всегда тяните рычаг разблокировки до конца. В противном случае муфта зажима полотна не переместится в разомкнутое положение, и полотно сабельной пилы невозможно будет вставить.

Вставьте полотно сабельной пилы в паз муфты зажима полотна до упора. Муфта зажима полотна зафиксирует полотно сабельной пилы со щелчком. Убедитесь, что полотно сабельной пилы не удастся извлечь из зажима, даже когда вы тянете за него.

► **Рис.9:** 1. Полотно сабельной пилы 2. Муфта зажима полотна

**ВНИМАНИЕ:** Если вы не вставите полотно достаточно глубоко, при работе полотно сабельной пилы может неожиданно выскочить. Это может быть чрезвычайно опасно.

Чтоб извлечь полотно сабельной пилы, полностью потяните рычаг разблокировки в указанном стрелкой направлении.

► **Рис.10:** 1. Полотно сабельной пилы 2. Рычаг разблокировки

**ПРИМЕЧАНИЕ:** Не задействуйте рычаг разблокировки при нажатии триггерного переключателя. Это может привести к неисправности.

## ЭКСПЛУАТАЦИЯ

**ВНИМАНИЕ:** Во время пиления всегда плотно прижимайте башмак к обрабатываемой детали. Если во время работы башмак инструмента снят или не соприкасается с обрабатываемой деталью, это может привести к значительной вибрации и/или усилению скручивания, что, в свою очередь, может вызвать опасное зажимание полотна.

**ВНИМАНИЕ:** При резке металла всегда надевайте перчатки для защиты рук от горячей летящей стружки.

**ВНИМАНИЕ:** Обязательно надевайте соответствующие средства защиты глаз, соответствующие действующим национальным стандартам.

**ВНИМАНИЕ:** При резке металла всегда пользуйтесь подходящей охлаждающей жидкостью (масло для резки). Несоблюдение данного требования приведет к преждевременному износу полотна.

**ВНИМАНИЕ:** Не загибайте полотно во время резки.

Крепко прижимайте башмак к обрабатываемой детали. Следите за тем, чтобы инструмент не отскакивал. В начале резки не прижимайте сильно полотно сабельной пилы к детали. Сначала сделайте пробный вырез при низкой скорости. Затем продолжите резку на более высокой скорости.

► **Рис.11**

**ПРИМЕЧАНИЕ:** Не распиливайте деталь, если башмак находится далеко от нее или не используется. В противном случае сила противодействия возрастает, что может привести к поломке полотна сабельной пилы.

## ОБСЛУЖИВАНИЕ

**ВНИМАНИЕ:** Перед проведением проверки или работ по техобслуживанию всегда проверяйте, что инструмент выключен, а блок аккумулятора снят.

**ПРИМЕЧАНИЕ:** Запрещается использовать бензин, растворители, спирт и другие подобные жидкости. Это может привести к обесцвечиванию, деформации и трещинам.

Для обеспечения БЕЗОПАСНОСТИ и НАДЕЖНОСТИ оборудования ремонт, любое другое техобслуживание или регулировку необходимо производить в уполномоченных сервис-центрах Makita или сервис-центрах предприятия с использованием только сменных частей производства Makita.

## ДОПОЛНИТЕЛЬНЫЕ ПРИНАДЛЕЖНОСТИ

**⚠ ВНИМАНИЕ:** Данные принадлежности или приспособления рекомендуются для использования с инструментом Makita, указанным в настоящем руководстве. Использование других принадлежностей или приспособлений может привести к получению травмы. Используйте принадлежность или приспособление только по указанному назначению.

Если вам необходимо содействие в получении дополнительной информации по этим принадлежностям, свяжитесь с вашим сервис-центром Makita.

- Полотна для сабельных пил
- Оригинальный аккумулятор и зарядное устройство Makita

**ПРИМЕЧАНИЕ:** Некоторые элементы списка могут входить в комплект инструмента в качестве стандартных приспособлений. Они могут отличаться в зависимости от страны.



**Makita Europe N.V.** Jan-Baptist Vinkstraat 2,  
3070 Kortenberg, Belgium

**Makita Corporation** 3-11-8, Sumiyoshi-cho,  
Anjo, Aichi 446-8502 Japan

[www.makita.com](http://www.makita.com)

885755B981  
EN, SV, NO, FI, DA,  
LV, LT, ET, RU  
20200120