

Talis E

Single lever basin mixer 110 with pop-up waste set

Surfaces: **Chrome** Article Number: **71710000**



Description

product features

- consists of: single lever basin mixer, waste set
- ComfortZone 110
- projection 112 mm
- spray type: normal spray
- maximum flow rate at 3 bar: 5 l/min
- ceramic cartridge
- temperature limitation adjustable
- suitable for continuous flow water heaters
- pop-up waste set G 1¼
- material waste set: metal
- connection type: G ¾ connections
- connection dimension: DN15

Technology



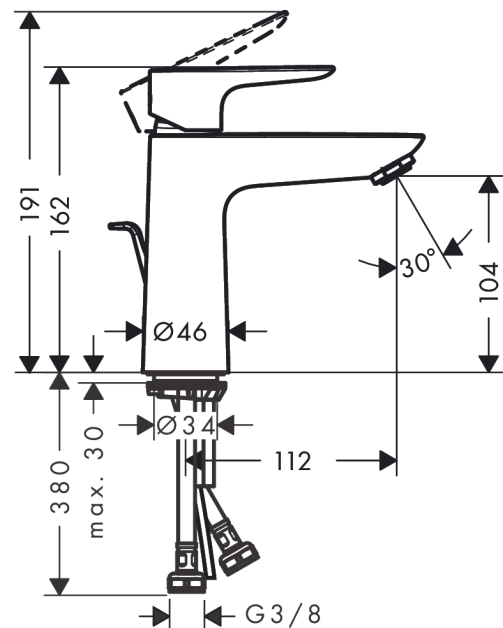
Design awards



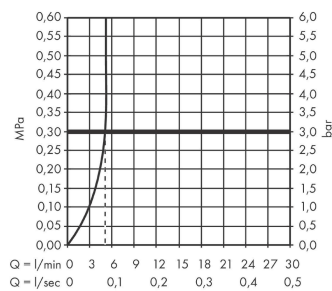
Product image



Scale drawing



Flowchart

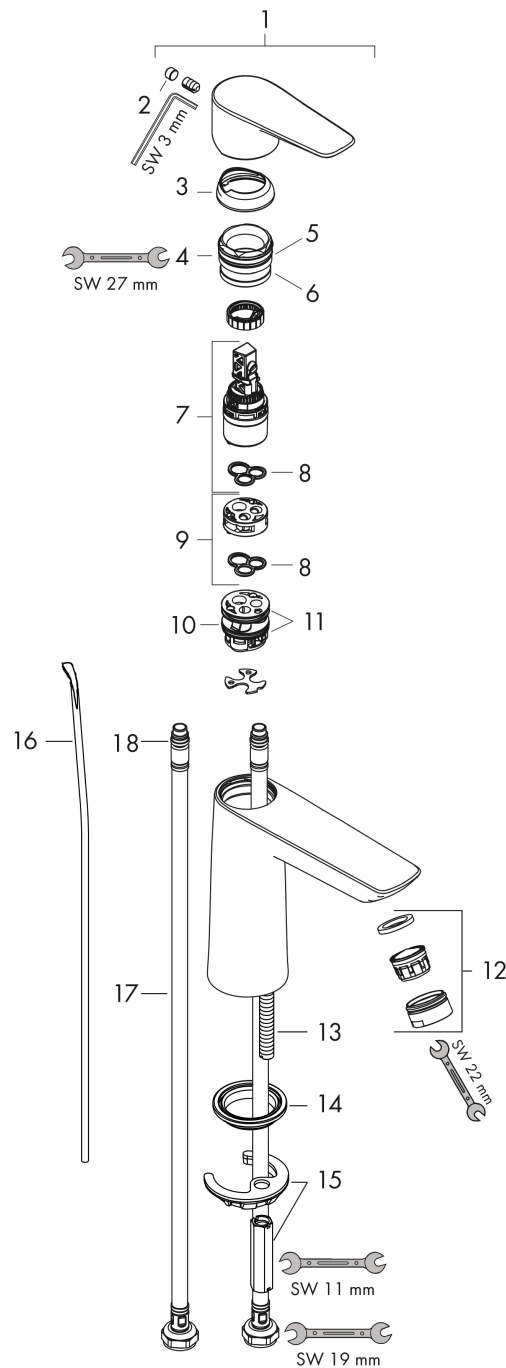


Talis E
Single lever basin mixer 110 with pop-up waste set
 Surfaces: **Chrome** Article Number: **71710000**



Exploded Drawing

Year of production: >05/17



Talis E

Single lever basin mixer 110 with pop-up waste set

Surfaces: **Chrome** Article Number: **71710000**



Spare part list

Year of production: >05/17

Pos.	Description	Article Number	Price	PU
1	handle	92687000	-	1
2	screw cover	95704000	-	1
3	flange	92625000	-	1
4	nut	92689000	-	1
5	O-ring 25x1,5	98146000	-	1
6	O-ring 27x1,5	92527000	-	1
7	cartridge, assy	97685000	-	1
8	seal	98865000	-	1
9	adapter for cartridge	92628000	-	1
10	adapter for cartridge	98866000	-	1
11	O-ring 23x2	98398000	-	1
12	aerator M24x1 (5 l/min)	13185000	-	1
13	screw M8 x 68	97736000	-	1
14	seal Ø 42	98722000	-	1
15	fixing set	96016000	-	1
16	pull rod	96657000	-	1
17	connection hose 450 mm M8x0,75 G3/8	97206000	-	1
18	O-ring 6,6x1,6	93019000	-	1
a	pop up waste	94139000	-	1