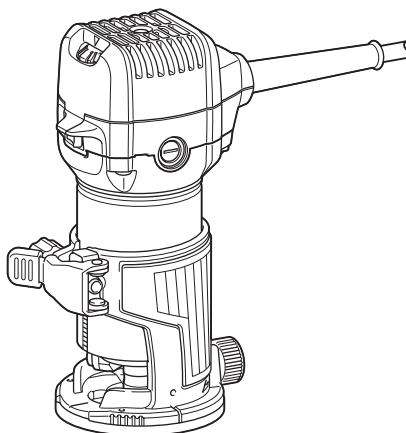




EN	Trimmer	INSTRUCTION MANUAL	12
SV	Kantfräs	BRUKSANVISNING	20
NO	Tilskjæringsmaskin	BRUKSANVISNING	29
FI	Jyrsin	KÄYTTÖOHJE	37
DA	Overfræser	BRUGSANVISNING	45
LV	Apgriezējmašīna	LIETOŠANAS INSTRUKCIJA	53
LT	Profiliavimo staklės	NAUDOJIMO INSTRUKCIJA	62
ET	Servamismasin	KASUTUSJUHEND	71
RU	Триммер	РУКОВОДСТВО ПО ЭКСПЛУАТАЦИИ	80

RT0702C



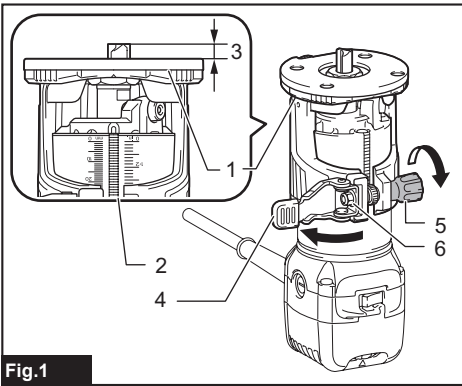


Fig.1

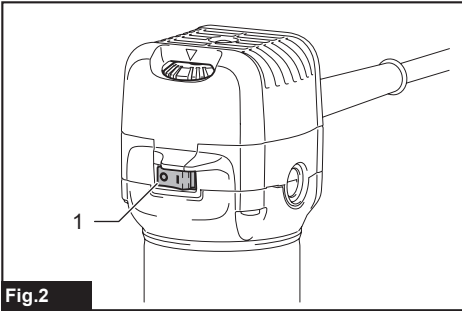


Fig.2

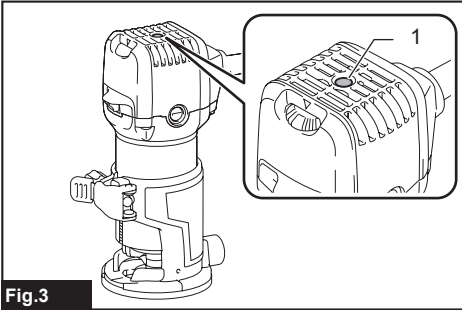


Fig.3

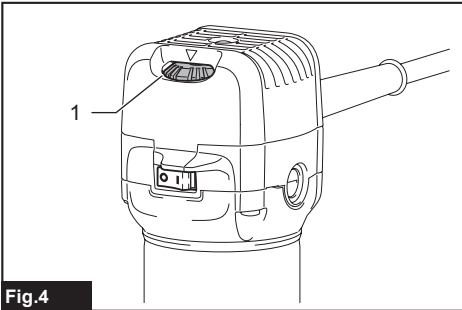


Fig.4

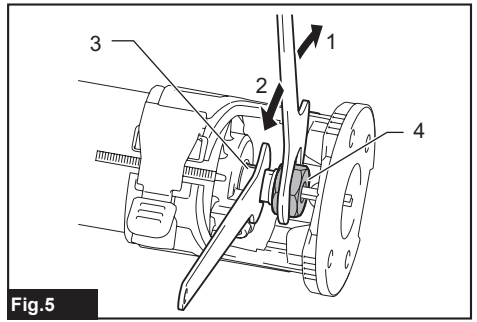


Fig.5

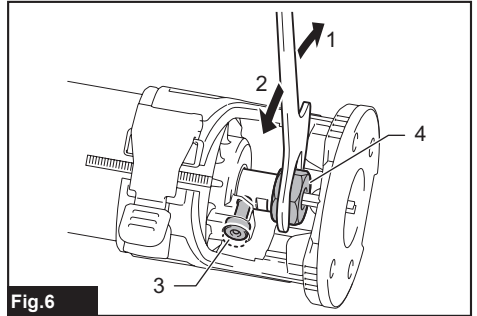


Fig.6

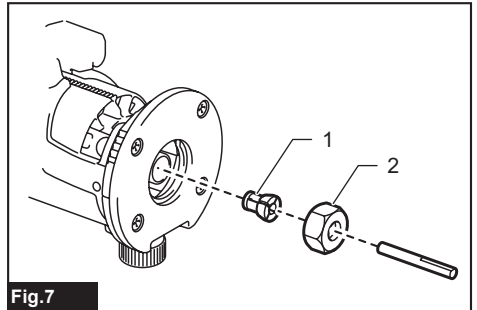


Fig.7

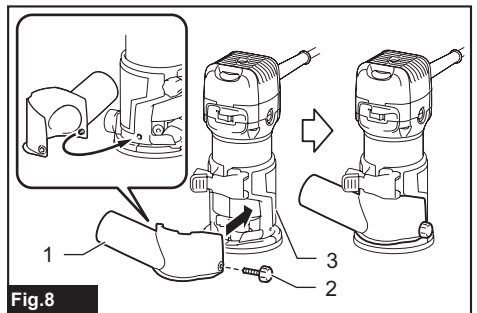


Fig.8

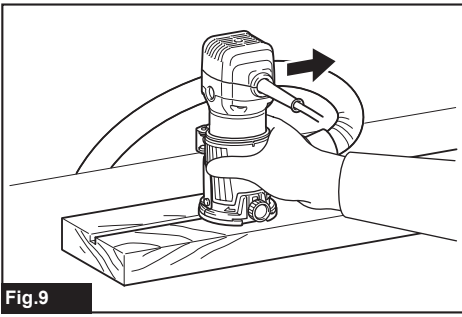


Fig.9

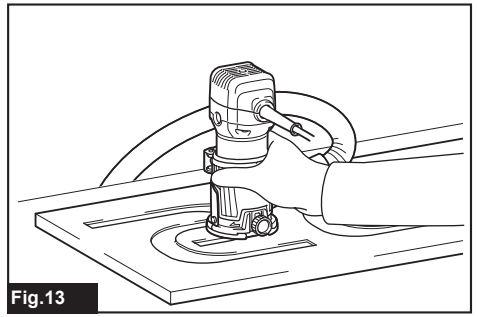


Fig.13

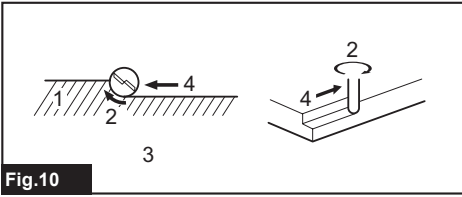


Fig.10

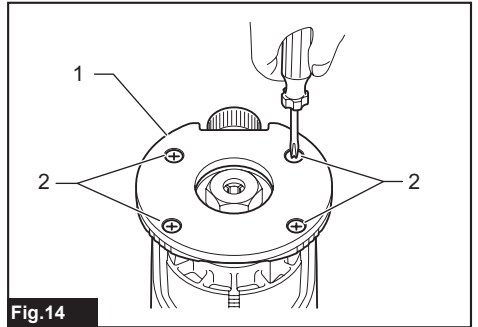


Fig.14

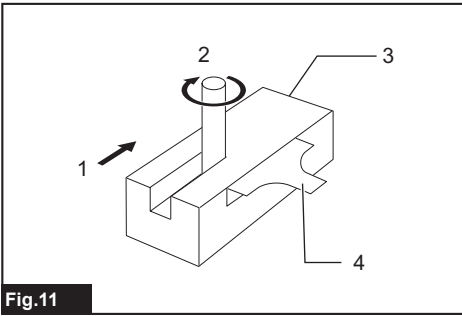


Fig.11

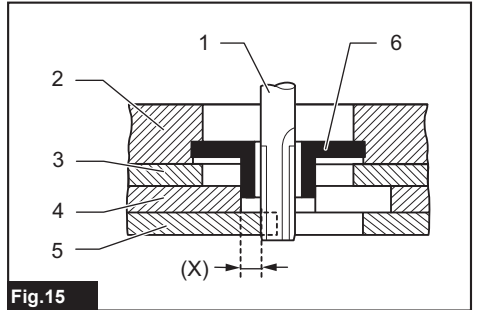


Fig.15

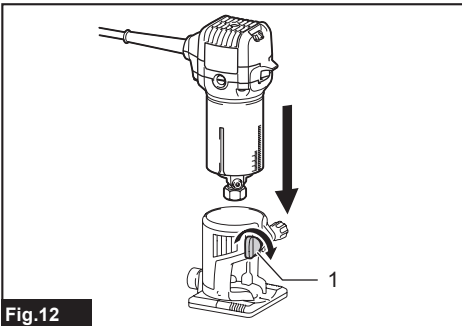


Fig.12

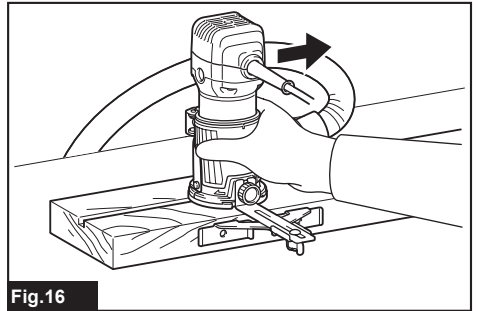


Fig.16

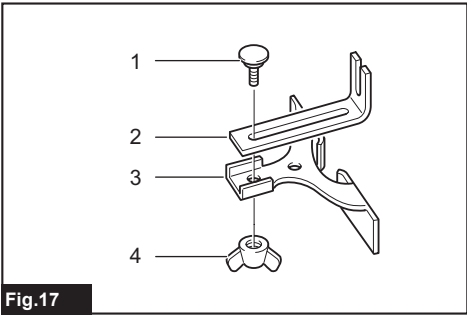


Fig.17

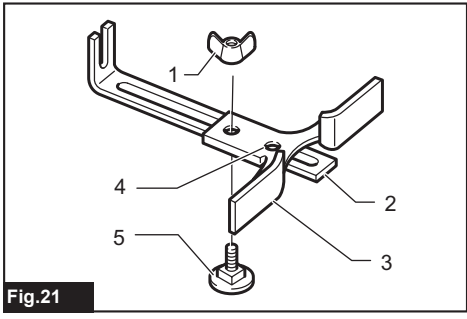


Fig.21

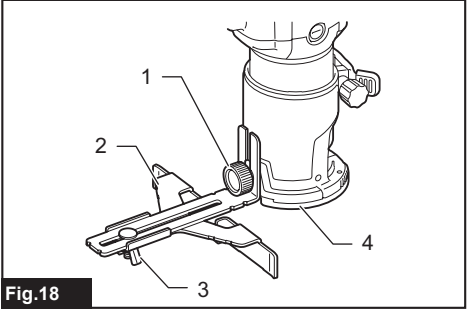


Fig.18

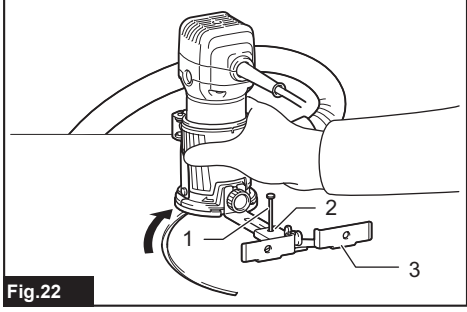


Fig.22

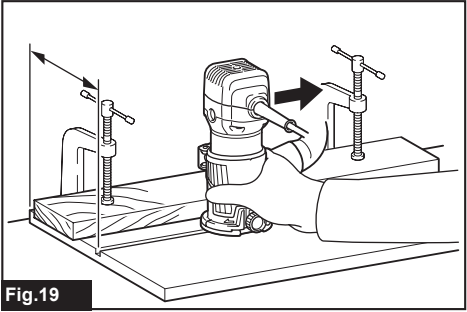


Fig.19

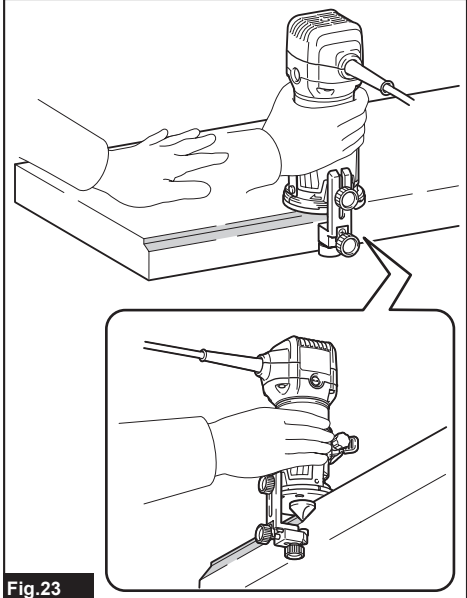


Fig.23

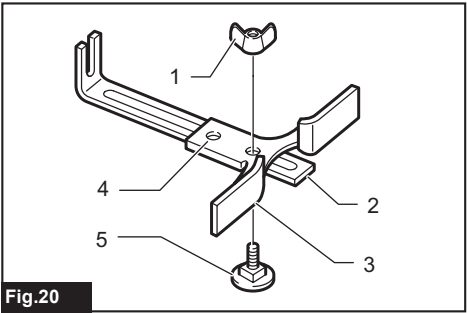
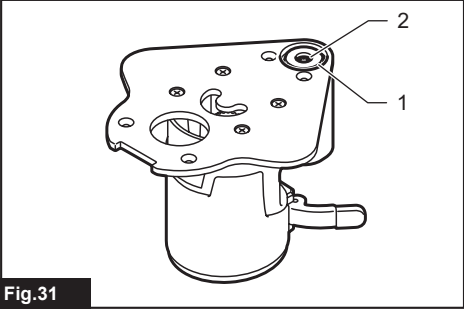
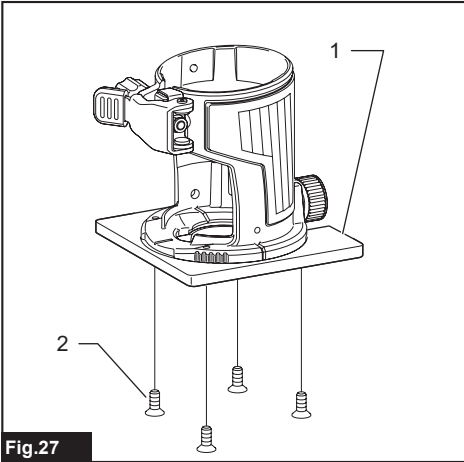
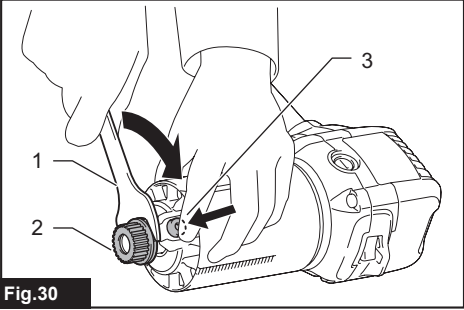
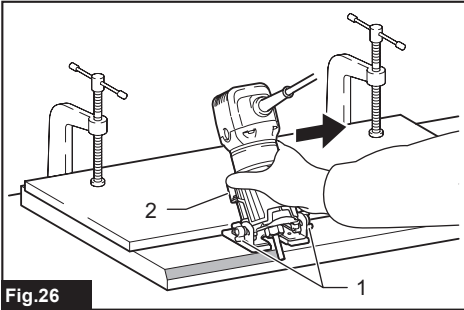
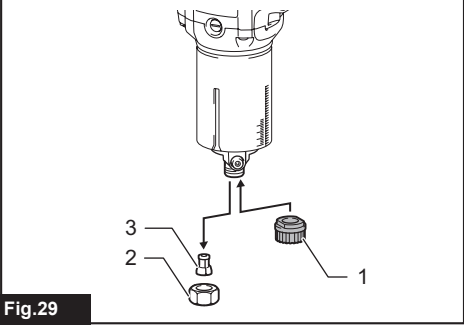
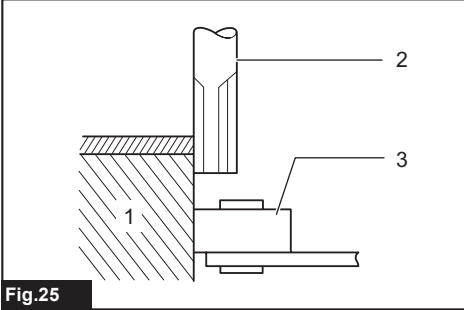
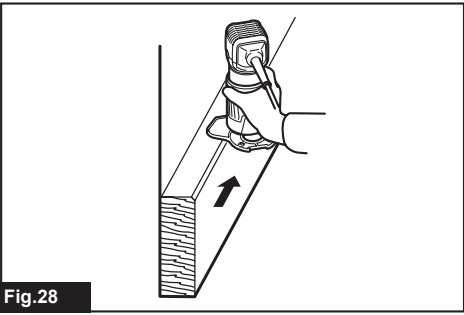
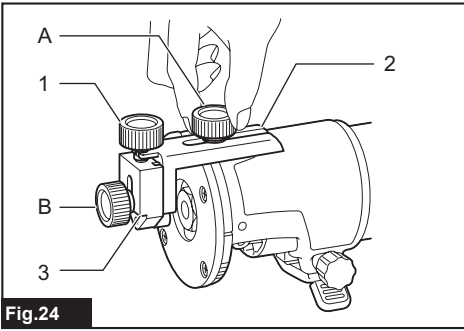
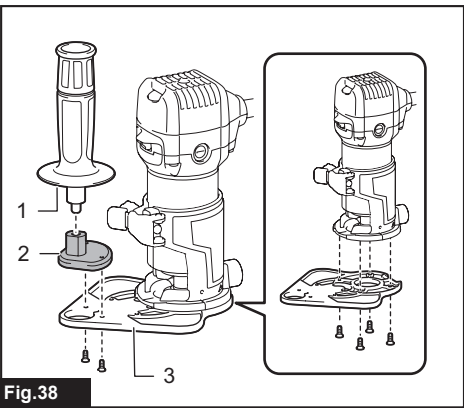
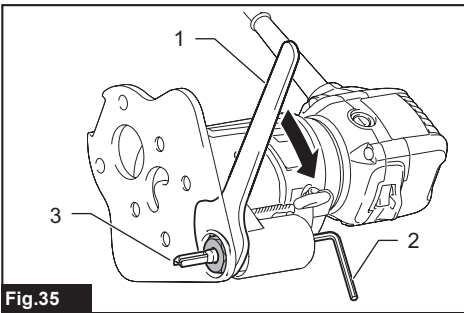
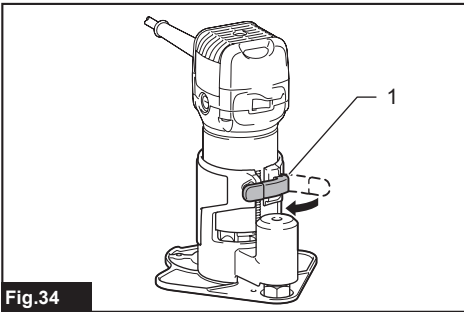
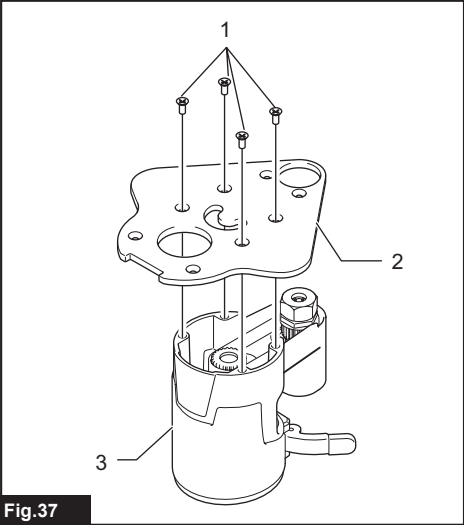
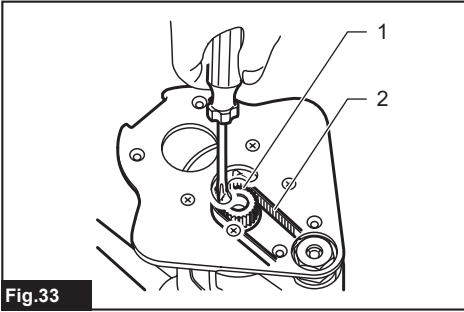
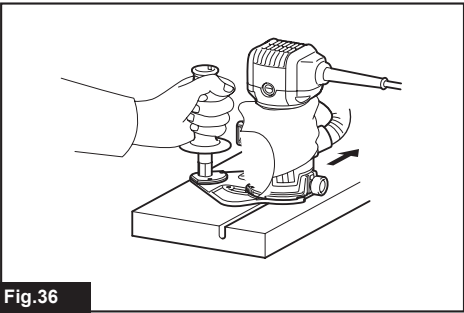
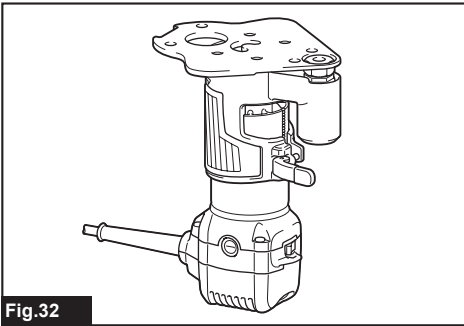
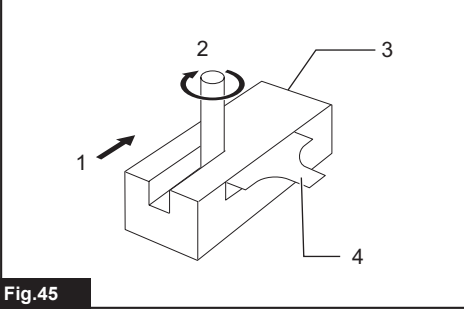
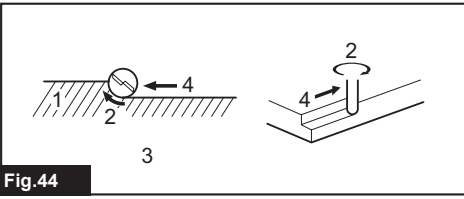
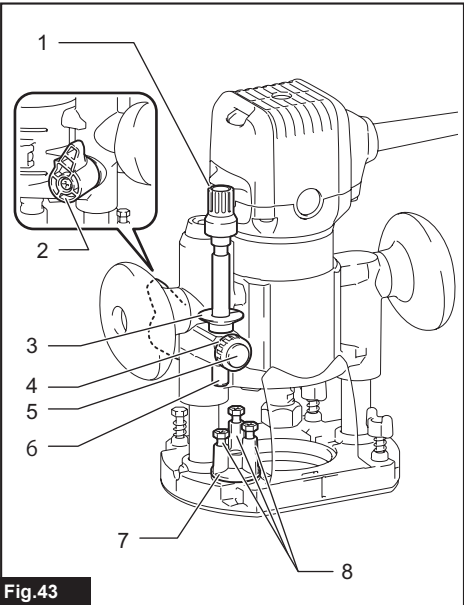
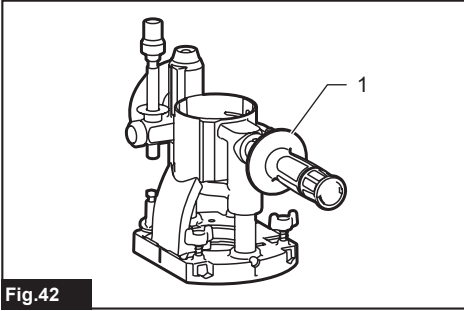
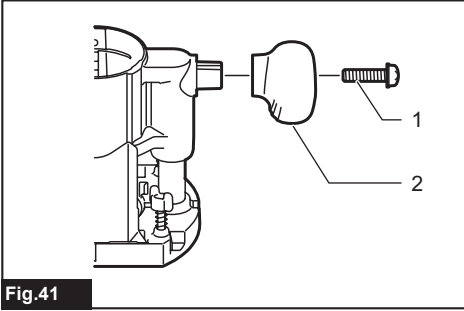
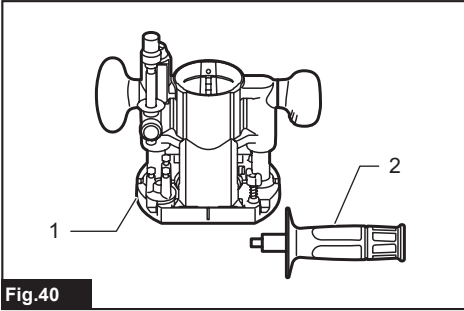
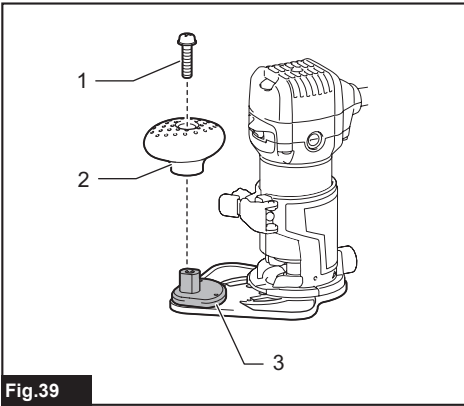


Fig.20







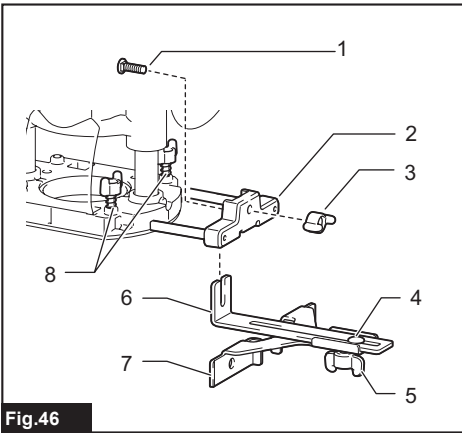


Fig.46

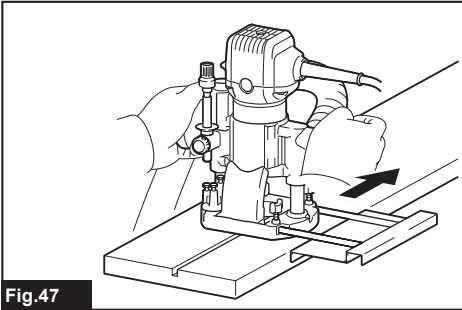


Fig.47

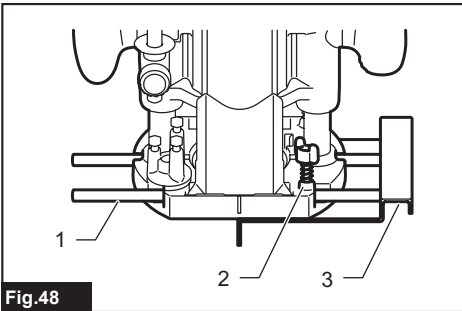


Fig.48

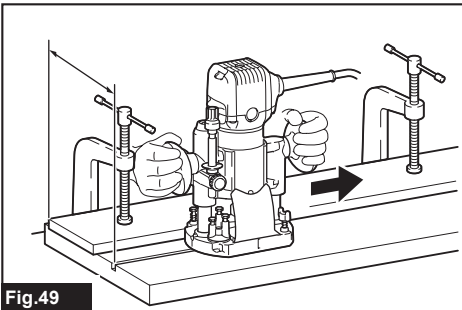


Fig.49

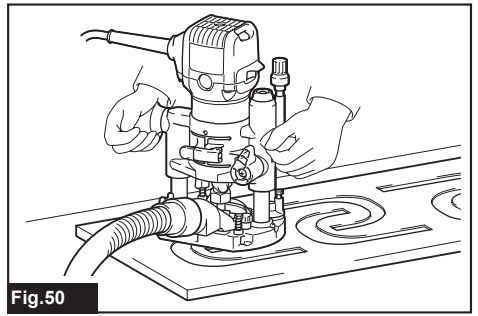


Fig.50

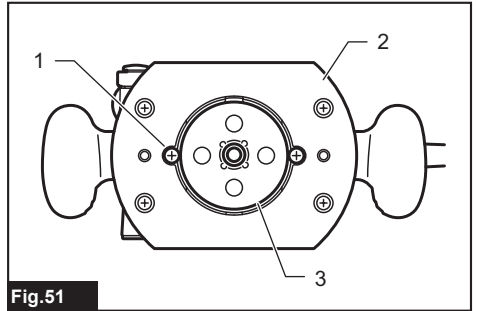


Fig.51

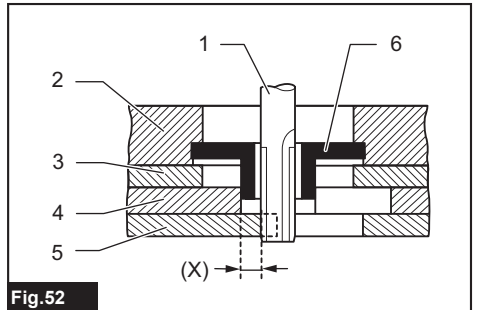


Fig.52

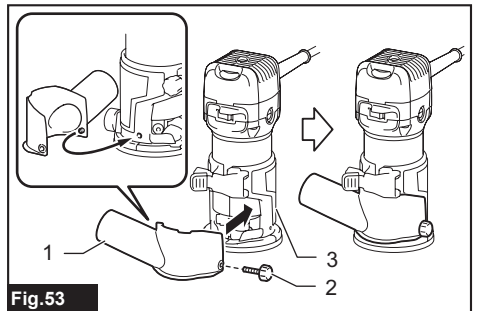


Fig.53

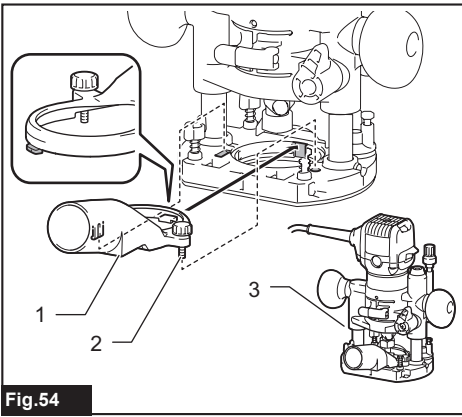


Fig. 54

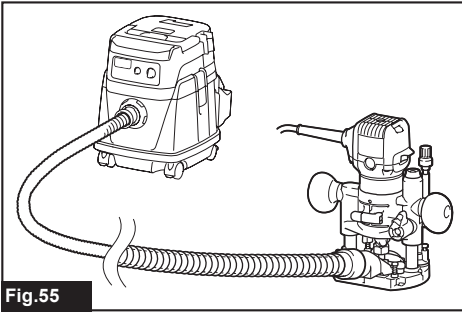


Fig. 55

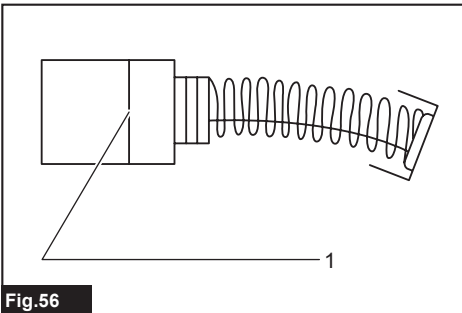


Fig. 56

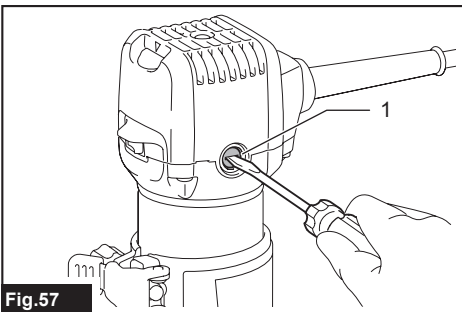


Fig. 57

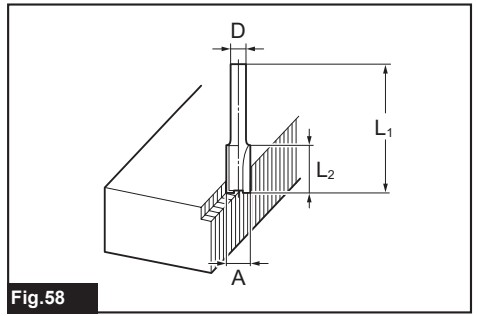


Fig. 58

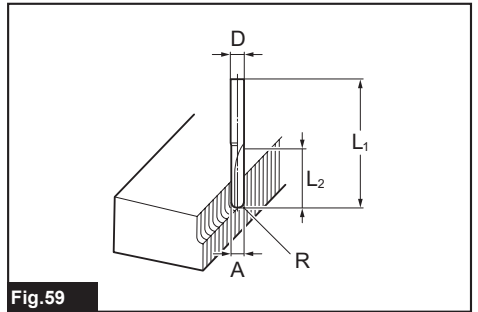


Fig. 59

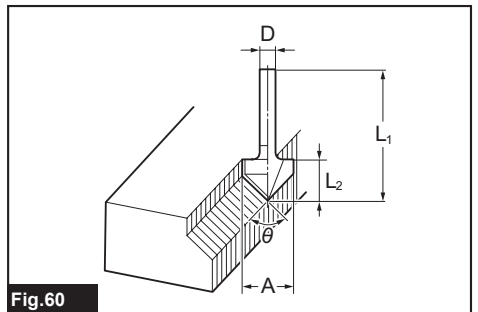


Fig. 60

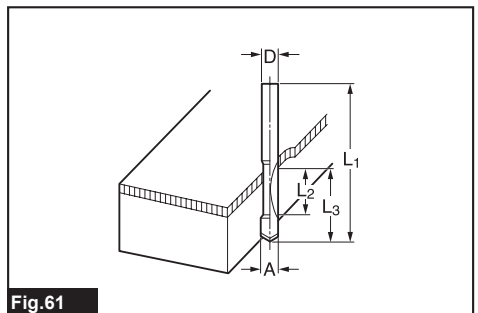


Fig. 61

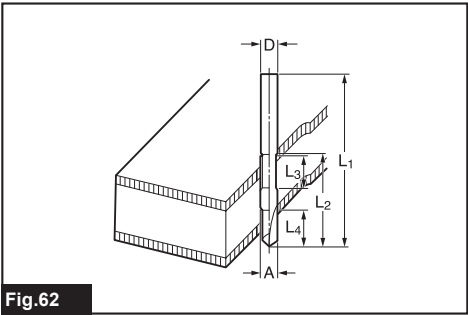


Fig.62

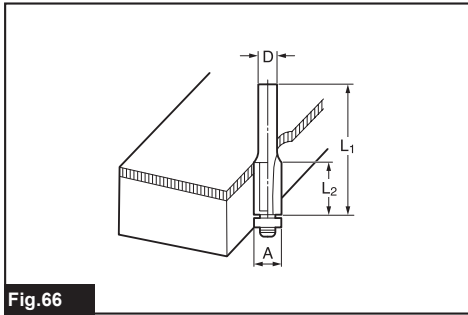


Fig.66

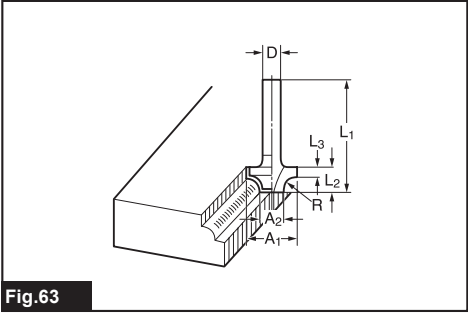


Fig.63

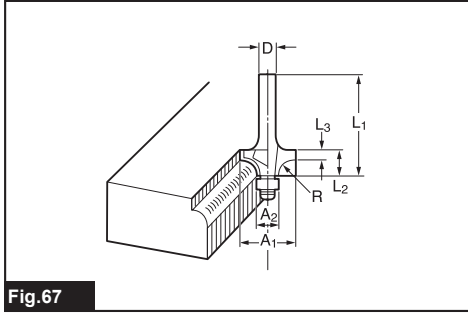


Fig.67

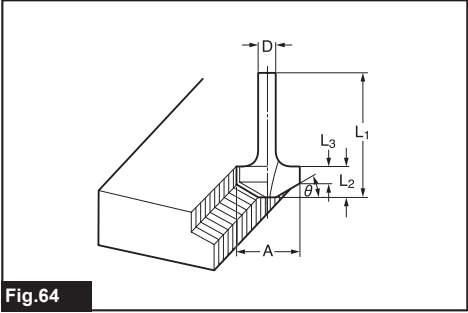


Fig.64

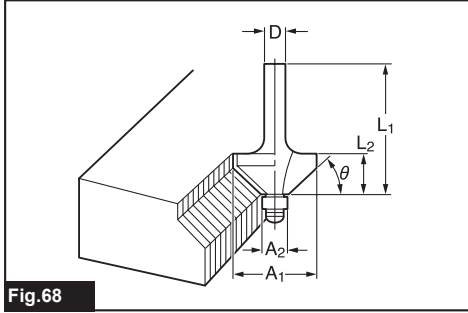


Fig.68

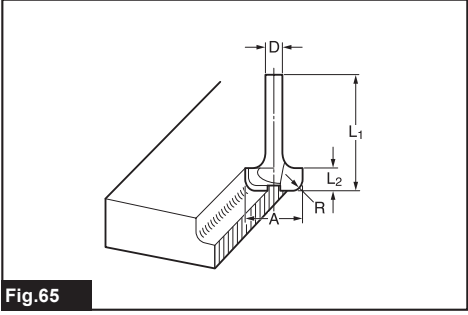


Fig.65

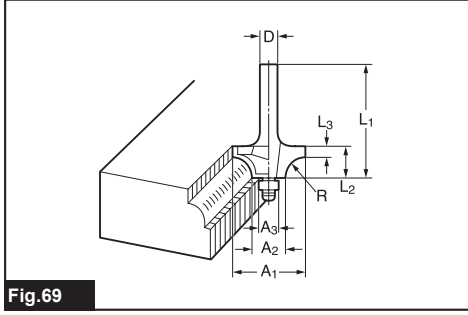
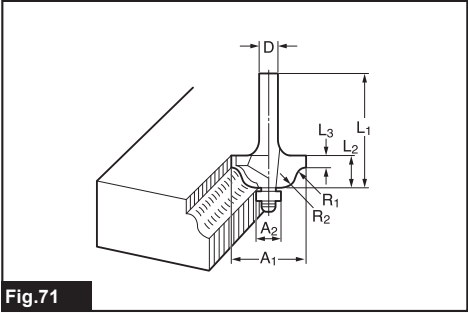
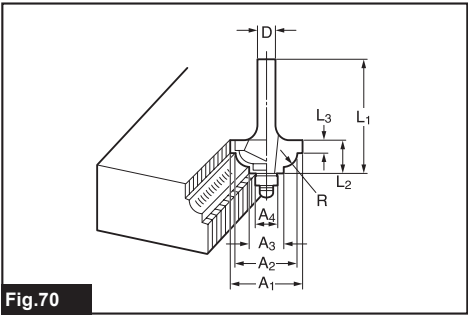


Fig.69



SPECIFICATIONS

Model:	RT0702C
Collet chuck capacity	6 mm, 8 mm, or 1/4"
No load speed	10,000 - 34,000 min ⁻¹
Overall height	210 mm
Net weight	1.8 - 2.8 kg
Safety class	▣/II

- Due to our continuing program of research and development, the specifications herein are subject to change without notice.
- Specifications may differ from country to country.
- The weight may differ depending on the attachment(s). The lightest and heaviest combination, according to EPTA-Procedure 01/2014, are shown in the table.

Intended use

The tool is intended for flush trimming and profiling of wood, plastic and similar materials.

Power supply

The tool should be connected only to a power supply of the same voltage as indicated on the nameplate, and can only be operated on single-phase AC supply. They are double-insulated and can, therefore, also be used from sockets without earth wire.

Noise

The typical A-weighted noise level determined according to EN62841-2-17:

Sound pressure level (L_{pA}): 82 dB(A)

Sound power level (L_{WA}): 93 dB (A)

Uncertainty (K): 3 dB(A)

NOTE: The declared noise emission value(s) has been measured in accordance with a standard test method and may be used for comparing one tool with another.

NOTE: The declared noise emission value(s) may also be used in a preliminary assessment of exposure.

⚠ WARNING: Wear ear protection.

⚠ WARNING: The noise emission during actual use of the power tool can differ from the declared value(s) depending on the ways in which the tool is used especially what kind of workpiece is processed.

⚠ WARNING: Be sure to identify safety measures to protect the operator that are based on an estimation of exposure in the actual conditions of use (taking account of all parts of the operating cycle such as the times when the tool is switched off and when it is running idle in addition to the trigger time).

Vibration

The vibration total value (tri-axial vector sum) determined according to EN62841-2-17:

Work mode: rotation without load

Vibration emission (a_h): 2.5 m/s² or less

Uncertainty (K): 1.5 m/s²

NOTE: The declared vibration total value(s) has been measured in accordance with a standard test method and may be used for comparing one tool with another.

NOTE: The declared vibration total value(s) may also be used in a preliminary assessment of exposure.

⚠ WARNING: The vibration emission during actual use of the power tool can differ from the declared value(s) depending on the ways in which the tool is used especially what kind of workpiece is processed.

⚠ WARNING: Be sure to identify safety measures to protect the operator that are based on an estimation of exposure in the actual conditions of use (taking account of all parts of the operating cycle such as the times when the tool is switched off and when it is running idle in addition to the trigger time).

EC Declaration of Conformity

For European countries only

The EC declaration of conformity is included as Annex A to this instruction manual.

SAFETY WARNINGS

General power tool safety warnings

⚠ WARNING: Read all safety warnings, instructions, illustrations and specifications provided with this power tool. Failure to follow all instructions listed below may result in electric shock, fire and/or serious injury.

Save all warnings and instructions for future reference.

The term "power tool" in the warnings refers to your mains-operated (corded) power tool or battery-operated (cordless) power tool.

Trimmer safety warnings

1. **Hold the power tool by insulated gripping surfaces only, because the cutter may contact its own cord.** Cutting a "live" wire may make exposed metal parts of the power tool "live" and could give the operator an electric shock.
2. **Use clamps or another practical way to secure and support the workpiece to a stable platform.** Holding the work by your hand or against the body leaves it unstable and may lead to loss of control.
3. **The trimmer bit shank must match the designed collet chuck.**
4. **Only use a trimmer bit that is rated at least equal to the maximum speed marked on the tool.**
5. **Wear hearing protection during extended period of operation.**
6. **Handle the trimmer bits very carefully.**
7. **Check the trimmer bit carefully for cracks or damage before operation. Replace cracked or damaged bit immediately.**
8. **Avoid cutting nails. Inspect for and remove all nails from the workpiece before operation.**
9. **Hold the tool firmly.**
10. **Keep hands away from rotating parts.**
11. **Make sure the trimmer bit is not contacting the workpiece before the switch is turned on.**
12. **Before using the tool on an actual workpiece, let it run for a while. Watch for vibration or wobbling that could indicate improperly installed bit.**
13. **Be careful of the trimmer bit rotating direction and the feed direction.**
14. **Do not leave the tool running. Operate the tool only when hand-held.**
15. **Always switch off and wait for the trimmer bit to come to a complete stop before removing the tool from workpiece.**
16. **Do not touch the trimmer bit immediately after operation; it may be extremely hot and could burn your skin.**
17. **Do not smear the base carelessly with thinner, gasoline, oil or the like. They may cause cracks in the base.**
18. **Some material contains chemicals which may be toxic. Take caution to prevent dust inhalation and skin contact. Follow material supplier safety data.**
19. **Always use the correct dust mask/respirator for the material and application you are working with.**
20. **Place the tool on stable area.** Otherwise falling accident may occur and cause an injury.

SAVE THESE INSTRUCTIONS.

⚠WARNING: DO NOT let comfort or familiarity with product (gained from repeated use) replace strict adherence to safety rules for the subject product. MISUSE or failure to follow the safety rules stated in this instruction manual may cause serious personal injury.

FUNCTIONAL DESCRIPTION

⚠CAUTION: Always be sure that the tool is switched off and unplugged before adjusting or checking function on the tool.

Adjusting trimmer bit protrusion

To adjust the bit protrusion, open the locking lever and move the base up or down as desired by turning the adjusting screw. After adjusting, close the locking lever firmly to secure the base.

► **Fig.1:** 1. Base 2. Scale 3. Bit protrusion 4. Locking lever 5. Adjusting screw 6. Hex nut

NOTE: When the tool is not secured even if the locking lever is closed, tighten the hex nut and then close the locking lever.

Switch action

⚠CAUTION: Before plugging in the tool, always be sure that the tool is switched off.

To start the tool, press the I side of the switch. To stop the tool, press the O side of the switch.

► **Fig.2:** 1. Switch

Electronic function

The tool is equipped with the electronic functions for easy operation.

Indication lamp

► **Fig.3:** 1. Indication lamp

The indication lamp lights up green when the tool is plugged. If the indication lamp does not light up, the mains cord or the controller may be defective. The indication lamp is lit but the tool does not start even if the tool is switched on, the carbon brushes may be worn out, or the controller, the motor or the ON/OFF switch may be defective.

Unintentional restart proof

The tool does not start with the I side of the switch pressed even when the tool is plugged. At this time, the indication lamp blinks in red and shows the unintentional restart proof device is on function. To cancel the unintentional restart proof, press the O side of the switch.

Soft start feature

Soft-start feature minimizes start-up shock, and makes the tool start smoothly.

Constant speed control

Electronic speed control for obtaining constant speed. Possible to get fine finish, because the rotating speed is kept constant even under the loaded condition.

Speed adjusting dial

⚠ WARNING: Do not use the speed adjusting dial during operation. The trimmer bit can be touched by the operator because of reaction force. This may result in personal injury.

⚠ CAUTION: If the tool is operated continuously at low speeds for a long time, the motor will get overloaded, resulting in tool malfunction.

⚠ CAUTION: The speed adjusting dial can be turned only as far as 6 and back to 1. Do not force it past 6 or 1, or the speed adjusting function may no longer work.

The tool speed can be changed by turning the speed adjusting dial to a given number setting from 1 to 6.

► Fig.4: 1. Speed adjusting dial

Higher speed is obtained when the speed adjusting dial is turned in the direction of number 6. And lower speed is obtained when it is turned in the direction of number 1. This allows the ideal speed to be selected for optimum material processing, i.e. the speed can be correctly adjusted to suit the material and bit diameter. Refer to the table for the relationship between the number settings on the dial and the approximate tool speed.

Number	min ⁻¹
1	10,000
2	12,000
3	17,000
4	22,000
5	27,000
6	34,000

ASSEMBLY

⚠ CAUTION: Always be sure that the tool is switched off and unplugged before carrying out any work on the tool.

Installing or removing trimmer bit

⚠ CAUTION: Do not tighten the collet nut without inserting a trimmer bit, or the collet cone will break.

⚠ CAUTION: Use only the wrenches provided with the tool.

There are two ways to install the trimmer bit. Perform either way.

With two wrenches

Insert the trimmer bit all the way into the collet cone and tighten the collet nut securely with one wrench while holding the neck with the other wrench.

► Fig.5: 1. Tighten 2. Loosen 3. Neck 4. Collet nut

With one wrench

Insert the trimmer bit all the way into the collet cone and tighten the collet nut securely with the wrench while pressing the shaft lock.

► Fig.6: 1. Tighten 2. Loosen 3. Shaft lock 4. Collet nut

To remove the trimmer bit, follow the installation procedure in reverse.

Changing the collet cone

⚠ CAUTION: Use the correct size collet cone for the trimmer bit which you intended to use.

⚠ CAUTION: Do not tighten the collet nut without installing a trimmer bit, or the collet cone may break.

1. Loosen the collet nut and remove.
2. Replace the installed collet cone with desired collet cone.
3. Reinstall collet nut.

► Fig.7: 1. Collet cone 2. Collet nut

OPERATION

⚠ CAUTION: Always hold the tool firmly with one hand on housing. Do not touch the metal part.

For the base

⚠ WARNING: Before using the tool with the base, always install the dust nozzle on the base.

► Fig.8: 1. Dust nozzle 2. Thumb screw 3. Base

1. Set the base on the workpiece to be cut without the trimmer bit making any contact.
2. Turn the tool on and wait until the trimmer bit attains full speed.
3. Move the tool forward over the workpiece surface, keeping the base flush and advancing smoothly until the cutting is complete.

► Fig.9

When doing edge cutting, the workpiece surface should be on the left side of the trimmer bit in the feed direction.

► Fig.10: 1. Workpiece 2. Bit revolving direction 3. View from the top of the tool 4. Feed direction

When using the straight guide or the trimmer guide, be sure to keep it on the right side in the feed direction. This will help to keep it flush with the side of the workpiece.

- **Fig.11:** 1. Feed direction 2. Bit revolving direction 3. Workpiece 4. Straight guide

NOTE: Moving the tool forward too fast may cause a poor quality of cut, or damage to the trimmer bit or motor. Moving the tool forward too slowly may burn and mar the cut. The proper feed rate will depend on the bit size, the kind of workpiece and depth of cut. Before beginning the cut on the actual workpiece, it is advisable to make a sample cut on a piece of scrap lumber. This will show exactly how the cut will look as well as enable you to check dimensions.

CAUTION: Since excessive cutting may cause overload of the motor or difficulty in controlling the tool, the depth of cut should not be more than 3 mm at a pass when cutting grooves. When you wish to cut grooves more than 3 mm deep, make several passes with progressively deeper bit settings.

Base (resin)

Optional accessory

You can use the base (resin) as an optional accessory as shown in the figure.

- **Fig.12:** 1. Clamping screw

Place the tool onto the base (resin) and tighten the clamping screw at the desired protrusion of the trimmer bit.

For the operation procedures, refer to the operation for the base.

Templet guide

Optional accessory

The templet guide provides a sleeve through which the trimmer bit passes, allowing use of the trimmer with templet patterns.

- **Fig.13**

1. Loosen the screws and remove the base protector.

- **Fig.14:** 1. Base protector 2. Screws

2. Place the templet guide on the base, and place the base protector again. Then secure the base protector by tightening the screws.

3. Secure the templet to the workpiece. Place the tool on the templet and move the tool with the templet guide sliding along the side of the templet.

- **Fig.15:** 1. Trimmer bit 2. Base 3. Base protector 4. Templet 5. Workpiece 6. Templet guide

NOTE: The workpiece will be cut a slightly different size from the templet. Allow for the distance (X) between the trimmer bit and the outside of the templet guide. The distance (X) can be calculated by using the following equation:

Distance (X) = (outside diameter of the templet guide - trimmer bit diameter) / 2

Straight guide

Optional accessory

The straight guide is effectively used for straight cuts when chamfering or grooving.

- **Fig.16**

1. Attach the guide plate to the straight guide with the bolt and the wing nut.

- **Fig.17:** 1. Bolt 2. Guide plate 3. Straight guide 4. Wing nut

2. Attach the straight guide assembly with the clamping screw.

- **Fig.18:** 1. Clamping screw 2. Straight guide 3. Wing nut 4. Base

3. Loosen the wing nut on the straight guide assembly and adjust the distance between the trimmer bit and the straight guide. At the desired distance, tighten the wing nut securely.

4. When cutting, move the tool with the straight guide flush with the side of the workpiece.

If the distance between the side of the workpiece and the cutting position is too wide for the straight guide, or if the side of the workpiece is not straight, the straight guide cannot be used. In this case, firmly clamp a straight board to the workpiece and use it as a guide against the trimmer base. Feed the tool in the direction of the arrow.

- **Fig.19**

Circular work

Circular work may be accomplished if you assemble the straight guide and guide plate as shown in the figures.

Min. and max. radius of circles to be cut (distance between the center of circle and the center of trimmer bit) are as follows:

Min.: 70 mm

Max.: 221 mm

For cutting circles between 70 mm and 121 mm in radius

- **Fig.20:** 1. Wing nut 2. Guide plate 3. Straight guide 4. Center hole 5. Bolt

For cutting circles between 121 mm and 221 mm in radius

- **Fig.21:** 1. Wing nut 2. Guide plate 3. Straight guide 4. Center hole 5. Bolt

NOTE: Circles between 172 mm and 186 mm in radius cannot be cut using this guide.

1. Align the center hole in the straight guide with the center of the circle to be cut.

- **Fig.22:** 1. Nail 2. Center hole 3. Straight guide

2. Drive a nail less than 6 mm in diameter into the center hole to secure the straight guide.

3. Pivot the tool around the nail in clockwise direction.

Trimmer guide

Optional accessory

Trimming, curved cuts in veneers for furniture and the like can be done easily with the trimmer guide. The guide roller rides the curve and assures a fine cut.

► Fig.23

1. Install the trimmer guide and guide holder on the base with the clamping screw (A).
2. Loosen the clamping screw (B) and adjust the distance between the trimmer bit and the trimmer guide by turning the adjusting screw (1 mm per turn). At the desired distance, tighten the clamping screw (B) to secure the trimmer guide in place.
► Fig.24: 1. Adjusting screw 2. Guide holder
3. Trimmer guide

3. When cutting, move the tool with the guide roller riding the side of the workpiece.
► Fig.25: 1. Workpiece 2. Trimmer bit 3. Guide roller

Tilt base

Optional accessory

The tilt base is used for trimming the edge of laminate sheet or similar materials.

The tilt base is convenient for chamfering.

1. Place the tool onto the tilt base, loosen the clamping screws, and tilt the tool at the desired angle.
2. Close the locking lever at the desired protrusion of the trimmer bit, and tighten the clamping screws at the desired angle.
3. Firmly clamp a straight board to the workpiece and use it as a guide against the tilt base. Feed the tool in the direction of the arrow.
► Fig.26: 1. Clamping screws 2. Locking lever

Using the tilt base protector with the base

The tilt base protector (square) removed from the tilt base can be mounted on the base. The shape of the base protector can be changed from round to square.

1. Remove the tilt base protector from the tilt base by loosening and removing the four screws.
2. Mount the tilt base protector on the base.
► Fig.27: 1. Tilt base protector 2. Screw

Offset base

Optional accessory

The offset base is used for trimming the edge of laminate sheet or similar materials.

The offset base is convenient for work in a tight area.

► Fig.28

Using the tool with the offset base

1. Before installing the tool on the offset base, remove the collet nut and collet cone by loosening the collet nut.
► Fig.29: 1. Pulley 2. Collet nut 3. Collet cone

2. Install the pulley on the tool by pressing the shaft lock and firmly tightening the pulley with a wrench.

► Fig.30: 1. Wrench 2. Pulley 3. Shaft lock

3. Place the collet cone and screw the collet nut on the offset base as shown in the figure.

► Fig.31: 1. Collet nut 2. Collet cone

4. Mount the offset base on the tool.

► Fig.32

5. Hook the belt over the pulley using a screwdriver and make sure that its entire belt width fits over the pulley completely.

► Fig.33: 1. Pulley 2. Belt

6. Close the locking lever.

► Fig.34: 1. Locking lever

7. Install the trimmer bit as follows.

Lay down the tool with the offset base. Insert the hex wrench into the hole in the offset base.

With the hex wrench held in the position as shown in the figure, insert the trimmer bit into the collet cone on the shaft of the offset base from the opposite side and tighten the collet nut firmly with a wrench.

► Fig.35: 1. Wrench 2. Hex wrench 3. Trimmer bit

8. To remove the trimmer bit, follow the installation procedure in reverse.

Using the base with the offset base plate and grip attachment

The offset base can also be used with a base and a grip attachment (optional accessory) for more stability.

► Fig.36

1. Loosen the screws and remove the upper section from the offset base. Put aside the upper section of the offset base.

► Fig.37: 1. Screws 2. Offset base plate 3. Upper section of the offset base

2. Mount the offset base plate with four screws and the grip attachment with two screws on the offset base plate. Screw a bar type grip (optional accessory) onto the grip attachment. In another way of use, the knob type grip which is removed from a plunge base (optional accessory) can be installed on the grip attachment. To install the knob type grip, place it on the grip attachment and secure it with a screw.

With bar type grip

► Fig.38: 1. Bar type grip 2. Grip attachment 3. Offset base plate

With knob type grip

► Fig.39: 1. Screw 2. Knob type grip 3. Grip attachment

Using the tool with the plunge base

Optional accessory

CAUTION: When using as a router, hold the tool firmly with both hands.

1. To use the tool as a router, install the tool on a plunge base (optional accessory) by pressing it down

fully. Either knob type grip or bar type grip (optional accessory) can be used according to your work.

► **Fig.40:** 1. Plunge base 2. Bar type grip

2. To use the bar type grip (optional accessory), loosen the screw and remove the knob type grip.

► **Fig.41:** 1. Screw 2. Knob type grip

3. Screw the bar type grip on the base.

► **Fig.42:** 1. Bar type grip

Adjusting the depth of cut when using the plunge base (optional accessory)

CAUTION: Always hold the tool firmly by both grips during operation.

► **Fig.43:** 1. Adjusting knob 2. Lock lever 3. Depth pointer 4. Stopper pole setting nut 5. Fast-feed button 6. Stopper pole 7. Stopper block 8. Adjusting hex bolt

1. Place the tool on a flat surface. Loosen the lock lever and lower the tool body until the trimmer bit just touches the flat surface. Tighten the lock lever to lock the tool body.

2. Turn the stopper pole setting nut counterclockwise. Lower the stopper pole until it makes contact with the adjusting hex bolt. Align the depth pointer with the "0" graduation. The depth of cut is indicated on the scale by the depth pointer.

3. While pressing the fast-feed button, raise the stopper pole until the desired depth of cut is obtained. Minute depth adjustments can be obtained by turning the adjusting knob (1 mm per turn).

4. By turning the stopper pole setting nut clockwise, you can fasten the stopper pole firmly.

5. Now, your predetermined depth of cut can be obtained by loosening the lock lever and then lowering the tool body until the stopper pole makes contact with the adjusting bolt of the stopper block.

6. Set the base on the workpiece to be cut without the trimmer bit making any contact.

7. Turn the tool on and wait until the trimmer bit attains full speed.

8. Lower the tool body and move the tool forward over the workpiece surface, keeping the base flush and advancing smoothly until the cutting is complete.

When doing edge cutting, the workpiece surface should be on the left side of the trimmer bit in the feed direction.

► **Fig.44:** 1. Workpiece 2. Bit revolving direction 3. View from the top of the tool 4. Feed direction

When using the straight guide or the trimmer guide, be sure to keep it on the right side in the feed direction. This will help to keep it flush with the side of the workpiece.

► **Fig.45:** 1. Feed direction 2. Bit revolving direction 3. Workpiece 4. Straight guide

NOTE: Moving the tool forward too fast may cause a poor quality of cut, or damage to the trimmer bit or motor. Moving the tool forward too slowly may burn and mar the cut. The proper feed rate will depend on the bit size, the kind of workpiece and depth of cut. Before beginning the cut on the actual workpiece, it is advisable to make a sample cut on a piece of scrap lumber. This will show exactly how the cut will look as well as enable you to check dimensions.

Straight guide for guide holder

Optional accessory

The straight guide is effectively used for straight cuts when chamfering or grooving.

► **Fig.46:** 1. Bolt 2. Guide holder 3. Wing nut (A) 4. Bolt 5. Wing nut (B) 6. Guide plate 7. Straight guide 8. Wing bolts

1. Install the straight guide assembly on the guide holder (optional accessory) with the bolt and wing nut (A).

2. Insert the guide holder into the holes in the plunge base and tighten the wing bolts.

3. To adjust the distance between the trimmer bit and the straight guide, loosen the wing nut (B). At the desired distance, tighten the wing nut (B) to secure the straight guide in place.

Straight guide

Optional accessory

The straight guide is effectively used for straight cuts when chamfering or grooving.

► **Fig.47**

1. Insert the guide bars into the holes in the plunge base.

► **Fig.48:** 1. Guide bar 2. Wing nut 3. Straight guide

2. Adjust the distance between the trimmer bit and the straight guide. At the desired distance, tighten the wing nuts to secure the straight guide in place.

3. When cutting, move the tool with the straight guide flush with the side of the workpiece.

If the distance between the side of the workpiece and the cutting position is too wide for the straight guide, or if the side of the workpiece is not straight, the straight guide cannot be used. In this case, firmly clamp a straight board to the workpiece and use it as a guide against the router base. Feed the tool in the direction of the arrow.

► **Fig.49**

Templet guide

Optional accessory

The templet guide provides a sleeve through which the trimmer bit passes, allowing use of the trimmer with templet patterns.

► **Fig.50**

1. Loosen the screws on the tool base, insert the templet guide and then tighten the screws.

► **Fig.51:** 1. Screw 2. Base 3. Templet guide

2. Secure the templet to the workpiece. Place the tool on the templet and move the tool with the templet guide sliding along the side of the templet.

► **Fig.52:** 1. Trimmer bit 2. Base 3. Base protector
4. Templet 5. Workpiece 6. Templet guide

NOTE: The workpiece will be cut a slightly different size from the templet. Allow for the distance (X) between the trimmer bit and the outside of the templet guide. The distance (X) can be calculated by using the following equation:

$$\text{Distance (X)} = (\text{outside diameter of the templet guide} - \text{trimmer bit diameter}) / 2$$

Dust nozzle sets

Use the dust nozzle for dust extraction.

For the base

Install the dust nozzle on the tool base using the thumb screw.

► **Fig.53:** 1. Dust nozzle 2. Thumb screw 3. Base

For the plunge base

Optional accessory

1. Install the dust nozzle on the plunge base using the thumb screw so that protrusion on the dust nozzle fit to the notch in the plunge base.

► **Fig.54:** 1. Dust nozzle 2. Thumb screw 3. Plunge base

2. Connect a vacuum cleaner to the dust nozzle.

► **Fig.55**

MAINTENANCE

CAUTION: Always be sure that the tool is switched off and unplugged before attempting to perform inspection or maintenance.

NOTICE: Never use gasoline, benzine, thinner, alcohol or the like. Discoloration, deformation or cracks may result.

To maintain product SAFETY and RELIABILITY, repairs, any other maintenance or adjustment should be performed by Makita Authorized or Factory Service Centers, always using Makita replacement parts.

Replacing carbon brushes

► **Fig.56:** 1. Limit mark

Check the carbon brushes regularly. Replace them when they wear down to the limit mark. Keep the carbon brushes clean and free to slip in the holders. Both carbon brushes should be replaced at the same time. Use only identical carbon brushes.

1. Use a screwdriver to remove the brush holder caps.
2. Take out the worn carbon brushes, insert the new ones and secure the brush holder caps.

► **Fig.57:** 1. Brush holder cap

OPTIONAL ACCESSORIES

CAUTION: These accessories or attachments are recommended for use with your Makita tool specified in this manual. The use of any other accessories or attachments might present a risk of injury to persons. Only use accessory or attachment for its stated purpose.

If you need any assistance for more details regarding these accessories, ask your local Makita Service Center.

- Straight & groove forming bits
- Edge forming bits
- Laminate trimming bits
- Straight guide assembly
- Trimmer guide assembly
- Base assembly (resin)
- Tilt base assembly
- Plunge base assembly
- Offset base assembly
- Templet guide
- Collet cone
- Wrench
- Dust nozzle
- Guide rail
- Guide rail adapter set
- Straight guide with micro adjustment
- Side grip
- Grip attachment

NOTE: Some items in the list may be included in the tool package as standard accessories. They may differ from country to country.

Trimmer bits

Straight bit

► **Fig.58**

D	A	L1	L2
6	20	50	15
1/4"			
8	8	60	25
6		50	18
1/4"	6	50	18
6			
1/4"			

Unit:mm

U-grooving bit

► **Fig.59**

D	A	L1	L2	R
6	6	60	28	3
1/4"				

Unit:mm

V-grooving bit**► Fig.60**

D	A	L1	L2	θ
1/4"	20	50	15	90°

Unit:mm

Drill point flush trimming bit**► Fig.61**

D	A	L1	L2	L3
8	8	60	20	35
6	6	60	18	28
1/4"				

Unit:mm

Drill point double flush trimming bit**► Fig.62**

D	A	L1	L2	L3	L4
8	8	80	95	20	25
6	6	70	40	12	14
1/4"					

Unit:mm

Corner rounding bit**► Fig.63**

D	A1	A2	L1	L2	L3	R
6	25	9	48	13	5	8
1/4"						
6	20	8	45	10	4	4
1/4"						

Unit:mm

Chamfering bit**► Fig.64**

D	A	L1	L2	L3	θ
6	23	46	11	6	30°
6	20	50	13	5	45°
6	20	49	14	2	60°

Unit:mm

Cove beading bit**► Fig.65**

D	A	L1	L2	R
6	20	43	8	4
6	25	48	13	8

Unit:mm

Ball bearing flush trimming bit**► Fig.66**

D	A	L1	L2
6	10	50	20
1/4"			

Unit:mm

Ball bearing corner rounding bit**► Fig.67**

D	A1	A2	L1	L2	L3	R
6	15	8	37	7	3.5	3
6	21	8	40	10	3.5	6
1/4"	21	8	40	10	3.5	6

Unit:mm

Ball bearing chamfering bit**► Fig.68**

D	A1	A2	L1	L2	θ
6	26	8	42	12	45°
1/4"					
6	20	8	41	11	60°

Unit:mm

Ball bearing beading bit**► Fig.69**

D	A1	A2	A3	L1	L2	L3	R
6	20	12	8	40	10	5.5	4
6	26	12	8	42	12	4.5	7

Unit:mm

Ball bearing cove beading bit**► Fig.70**

D	A1	A2	A3	A4	L1	L2	L3	R
6	20	18	12	8	40	10	5.5	3
6	26	22	12	8	42	12	5	5

Unit:mm

Ball bearing roman ogee bit**► Fig.71**

D	A1	A2	L1	L2	L3	R1	R2
6	20	8	40	10	4.5	2.5	4.5
6	26	8	42	12	4.5	3	6

Unit:mm

SPECIFIKATIONER

Modell:	RT0702C
Spännhylschuckens kapacitet	6 mm, 8 mm eller 1/4"
Hastighet utan belastning	10 000 - 34 000 min ⁻¹
Total höjd	210 mm
Nettovikt	1,8 - 2,8 kg
Säkerhetsklass	II/III

- På grund av vårt pågående program för forskning och utveckling kan dessa specifikationer ändras utan föregående meddelande.
- Specifikationer kan variera mellan olika länder.
- Vikten kan variera beroende på tillbehören. Den lättaste och den tyngsta kombinationen enligt EPTA-procedur 01/2014 visas i tabellen.

Avsedd användning

Verktyget är avsett för trimning och profilering av trä, plast och liknande material.

Strömförsörjning

Maskinen får endast anslutas till elnät med samma spänning som anges på typplåten och med enfasig växelström. De är dubbelisolerade och får därför också anslutas i ojordade vägguttag.

Buller

Den normala bullernivån för A-belastning är bestämd enligt EN62841-2-17:

Ljudtrycksnivå (L_{pA}): 82 dB (A)

Ljudeffektnivå (L_{WA}): 93 dB (A)

Mättolerans (K): 3 dB (A)

OBS: Det deklarerade bullervärdet har uppmätts i enlighet med standardtestmetoden och kan användas för jämförandet av en maskin med en annan.

OBS: Det deklarerade bulleremissionsvärdet kan också användas i en preliminär bedömning av exponering för vibration.

⚠ VARNING: Använd hörselskydd.

⚠ VARNING: Bulleremissionen under faktisk användning av maskinen kan skilja sig från det deklarerade värdet, beroende på hur maskinen används och särskilt vilken typ av arbetsstycke som behandlas.

⚠ VARNING: Var noga med att identifiera säkerhetsåtgärder för att skydda användaren, vilka är grundade på en uppskattning av graden av exponering för vibrationer under de faktiska användningsförhållandena, (ta, förutom avtryckartiden, med alla delar av användarcykeln i beräkningen, som till exempel tiden då maskinen är avstängd och när den går på tomgång).

Vibration

Det totala vibrationsvärdet (treaxlad vektorsumma) bestämt enligt EN62841-2-17:

Arbetsläge: rotation utan belastning

Vibrationsemission (a_{hh}): 2,5 m/s² eller lägre

Mättolerans (K): 1,5 m/s²

OBS: Det deklarerade totala vibrationsvärdet har uppmätts i enlighet med standardtestmetoden och kan användas för jämförandet av en maskin med en annan.

OBS: Det deklarerade totala vibrationsvärdet kan också användas i en preliminär bedömning av exponering för vibration.

⚠ VARNING: Vibrationsemissionen under faktisk användning av maskinen kan skilja sig från det deklarerade värdet, beroende på hur maskinen används och särskilt vilken typ av arbetsstycke som behandlas.

⚠ VARNING: Var noga med att identifiera säkerhetsåtgärder för att skydda användaren, vilka är grundade på en uppskattning av graden av exponering för vibrationer under de faktiska användningsförhållandena, (ta, förutom avtryckartiden, med alla delar av användarcykeln i beräkningen, som till exempel tiden då maskinen är avstängd och när den går på tomgång).

EG-försäkran om överensstämmelse

Gäller endast inom EU

EG-försäkran om överensstämmelse inkluderas som bilaga A till denna bruksanvisning.

SÄKERHETSVARNINGAR

Allmänna säkerhetsvarningar för maskiner

⚠ VARNING: Läs alla säkerhetsvarningar, anvisningar, illustrationer och specifikationer som medföljer det här maskinen. Underlåtenhet att följa instruktionerna kan leda till elstötar, brand och/eller allvarliga personskador.

Spara alla varningar och instruktioner för framtida referens.

Termen "maskin" som anges i varningarna hänvisar till din eldrivna maskin (sladdansluten) eller batteridrivna maskin (sladdlös).

Säkerhetsvarningar för kantfräs

1. Håll endast tag i verktygets isolerade handtag då hyvelverktyget kan komma i kontakt med sin egen nätsladd. Om verktyget kommer i kontakt med en strömförande ledning blir dess metalldelar strömförande och kan ge operatören en elektrisk stöt.
2. Använd tvingar eller liknande för att säkra och stödja arbetsstycket på ett stabilt underlag. Att hålla arbetsstycket i händerna eller mot kroppen ger inte tillräckligt stöd och du kan förlora kontrollen.
3. Fråshuvudets skaff måste stämma med den angivna spännhylschucken.
4. Använd endast ett fråshuvud som är som minst lika med den maxhastighet som markeras på verktyget.
5. Använd hörselskydd vid längre tids användning.
6. Iakttag försiktighet vid hantering av fråshuvuden.
7. Kontrollera att fråshuvudet inte är sprucket eller skadat före användning. Byt omedelbart ut ett skadat eller sprucket fråshuvud.
8. Undvik att säga i spik. Kontrollera arbetsstycket och ta bort alla spikar före arbetet påbörjas.
9. Håll verktyget i ett fast grepp.
10. Håll händerna på behörigt avstånd från roterande delar.
11. Se till att fråshuvudet inte kommer i kontakt med arbetsstycket innan strömbrytaren slagits på.
12. Låt verktyget vara igång en stund innan det används på arbetsstycket. Kontrollera att det inte förekommer vibrationer eller kast som indikerar att fråshuvudet monterats felaktigt.
13. Kontrollera fråshuvudets rotations- och matningsriktning.
14. Lämnar inte verktyget igång. Använd endast verktyget när du håller det i händerna.
15. Stäng alltid av verktyget och vänta tills fråshuvudet har stannat helt innan du avlägsnar verktyget från arbetsstycket.
16. Rör inte vid fråshuvudet omedelbart efter avslutat arbete. Det kan vara extremt varmt och orsaka brännskador.
17. Smörj inte bottenplattan vårdslöst med för-tunningsmedel, bensin, olja eller liknande. Det kan orsaka sprickor i bottenplattan.

18. Vissa material kan innehålla giftiga kemikalier. Se till att du inte andas in dammet från kemikalier eller får något på huden. Följ anvisningarna i leverantörens materialsäkerhetsblad.
19. Använd alltid dammask eller andningsrespirator som är anpassad efter det material du arbetar med och de förhållanden du arbetar under.
20. Placera verktyget på en stabil yta. I annat fall kan fallolyckor inträffa och orsaka skada.

SPARA DESSA ANVISNINGAR.

⚠ VARNING: GLÖM INTE att också fortsättningsvis strikt följa säkerhetsanvisningarna för maskinen även efter att du blivit van att använda den. Vid FELAKTIG HANTERING av maskinen eller om inte säkerhetsanvisningarna i denna bruksanvisning följs kan följden bli allvarliga personskador.

FUNKTIONSBESKRIVNING

⚠ FÖRSIKTIGT: Se alltid till att maskinen är avstängd och nätsladden urdragen innan du justerar eller funktionskontrollerar maskinen.

Ställa in fräsdjupet

Justera fräsdjupet genom att lossa låsspaken och flytta bottenplattan uppåt eller nedåt till önskat läge genom att vrida på inställningsskruven. Stäng låsspaken ordentligt för att fästa bottenplattan efter justeringen.

► **Fig.1:** 1. Bottenplatta 2. Skala 3. Fräsdjup 4. Låsspak 5. Inställningsskruv 6. Insexmutter

OBS: När verktyget inte är fäst även fast låsspaken är stängd, ska insexmuttern först stängas och därefter låsspaken.

Avtryckarens funktion

⚠ FÖRSIKTIGT: Se alltid till att verktyget är avstängt innan du ansluter det till elnätet.

Tryck på I-sidan på avtryckaren för att slå på verktyget. Tryck på O-sidan på avtryckaren för att stoppa verktyget.

► **Fig.2:** 1. Avtryckare

Elektronisk funktion

Maskinen är utrustad med elektroniska funktioner för enkel användning.

Indikatorlampa

► **Fig.3:** 1. Indikatorlampa

Den gröna indikatorlampan lyser när verktyget är inkopplat. Om indikatorlampan inte tänds kan nätsladden eller styrningen vara defekt. Om indikatorlampan lyser och verktyget inte startar fastän det är påslaget, kan kolborstarna vara utslitna, eller styrningen, motorn eller strömbrytaren defekta.

Spärr mot oavsiktlig omstart

Verktyget startar inte när I-sidan på avtryckaren trycks, även om det är anslutet till elnätet.

Om detta inträffar blinkar indikatorlampan rött för att visa att enheten för skydd mot oavsiktlig start är i funktion.

Tryck på O-sidan på avtryckaren för att avbryta spärren mot oavsiktlig omstart.

Mjukstartsfunktion

Mjukstartsfunktionen minimerar ryck vid uppstarten och gör att verktyget får en mjuk start.

Konstant hastighetskontroll

Elektronisk hastighetskontroll för att erhålla konstant hastighet.

Det är möjligt att få en fin finish eftersom rotationshastigheten hålls konstant även vid hög belastning.

Ratt för hastighetsinställning

⚠ FÖRSIKTIGT: Använd inte ratten för hastighetsinställning under körning. Fråshuvudet kan råka vidröras av användaren på grund av reaktionskraften. Det kan orsaka personskada.

⚠ FÖRSIKTIGT: Om verktyget används oavbrutet på låg hastighet under lång tid överbelastas motorn, vilket leder till funktionsfel på verktyget.

⚠ FÖRSIKTIGT: Ratten för hastighetsinställning kan endast vridas upp till 6 och tillbaka till 1. Tvinga den inte förbi 6 eller 1, eftersom hastighetsinställningen då kan sättas ur funktion.

Verktyghastighet ställs in genom att vrida ratten för hastighetsinställning till en nummerinställning mellan 1 och 6.

► **Fig.4:** 1. Ratt för hastighetsinställning

Hastigheten blir högre när ratten för hastighetsinställning vrids mot nummer 6. Och lägre hastighet erhålls när den vrids mot nummer 1.

Därigenom kan idealhastigheten för optimal bearbetning väljas, dvs. hastigheten kan ställas in så att det passar korrekt till materialet och fräsverktygets diameter.

I tabellen syns sambandet mellan nummerinställningarna och ungefärlig hastighet för verktyget.

Nummer	min ⁻¹
1	10 000
2	12 000
3	17 000
4	22 000
5	27 000
6	34 000

MONTERING

⚠ FÖRSIKTIGT: Se alltid till att maskinen är avstängd och nätsladden urdragen innan maskinen repareras.

Montera eller demontera fråshuvud

⚠ FÖRSIKTIGT: Dra inte spännhylsmuttern åt utan att det sitter ett fråshuvud, annars förstörs spännhylsan.

⚠ FÖRSIKTIGT: Använd endast de nycklar som levererats med verktyget.

Det finns två sätt att installera fråshuvudet. Utför någon av metoderna.

Med två nycklar

Sätt in fråshuvudet i spännhylsan så långt det går och dra åt hylsmuttern ordentligt med en nyckel samtidigt som du håller i halsen med den andra nyckeln.

► **Fig.5:** 1. Dra åt 2. Lossa 3. Hals 4. Hylsmutter

Med en nyckel

Sätt in fråshuvudet i spännhylsan så långt det går och dra åt hylsmuttern ordentligt med nyckeln samtidigt som du trycker på spindellåset.

► **Fig.6:** 1. Dra åt 2. Lossa 3. Spindellås 4. Hylsmutter

Följ monteringsförfarandet i omvänd ordning för att ta ur fråshuvudet.

Byta ut spännhylsan

⚠ FÖRSIKTIGT: Använd korrekt storlek på spännhylsan för det fråshuvud som du tänkt använda.

⚠ FÖRSIKTIGT: Dra inte åt hylsmuttern utan att montera ett fråshuvud, då spännhylsan kan gå sönder.

1. Lossa hylsmuttern och ta bort den.
2. Byt ut den monterade spännhylsan mot önskad spännhylsa.
3. Sätt tillbaka hylsmuttern.

► **Fig.7:** 1. Spännhylsa 2. Hylsmutter

ANVÄNDNING

⚠ FÖRSIKTIGT: Håll alltid verktyget stadigt med en hand på verktygshuset. Rör inte vid metalldelen.

För bottenplattan

⚠ VARNING: Innan du använder verktyget med bottenplattan ska du alltid montera dammunstycket på bottenplattan.

- **Fig.8:** 1. Dammunstycke 2. Tumskruv
3. Bottenplatta

1. Placera bottenplattan på arbetsstycket utan att fråshuvudet kommer i kontakt med arbetsstycket.
 2. Starta verktyget och vänta tills fråshuvudet uppnått full hastighet.
 3. För sedan verktyget varsamt framåt över arbetsstyckets yta med bottenplattan plan mot arbetsstycket tills fräsningen är klar.
- **Fig.9**

Vid kanträsning ska arbetsstyckets yta befinna sig på vänster sida av fråshuvudet i matningsriktningen.

- **Fig.10:** 1. Arbetsstycke 2. Fråshuvudets rotationsriktning 3. Vy från toppen av verktyget 4. Matningsriktning

När parallellanslaget eller fråsanslaget används bör du se till att hålla det på höger sida i matningsriktningen. Det blir då lättare att hålla anslaget plant mot arbetsstyckets sida.

- **Fig.11:** 1. Matningsriktning 2. Fråshuvudets rotationsriktning 3. Arbetsstycke 4. Parallellanslag

OBS: Om verktyget förs framåt alltför snabbt kan den frästa ytan få en dålig finish, eller så kan fråshuvudet eller motorn skadas. Om verktyget förs framåt alltför långsamt kan arbetsstycket bli bränt och ytan skadas. Lämplig matningshastighet beror på fråshuvudets dimension, typ av arbetsmaterial och fräsdjup. Det är lämpligt att utföra en provfräsning på en träbit innan fräsningen på det faktiska arbetsstycket påbörjas. Därmed kan man exakt se hur resultatet av fräsningen kommer att se ut och även kontrollera dimensionerna.

⚠ FÖRSIKTIGT: Eftersom en alltför kraftig fräsning kan orsaka överbelastning av motorn eller svårigheter att kontrollera verktyget bör fräsdjupet inte vara mer än 3 mm per gång vid spårfräsning. Gör flera fräsningar med en gradvis ökande inställning av fräsdjupet när du vill fräsa spår som är djupare än 3 mm.

Bottenplatta (harts)

Valfria tillbehör

Du kan använda bottenplattan (harts) som valfritt tillbehör enligt vad som visas på bilden.

- **Fig.12:** 1. Spännskruv

Placera verktyget på bottenplattan (harts) och dra åt spännskruven där fråshuvudet sticker ut till önskad längd.

Arbetsrutiner finns i användningsbeskrivningen för bottenplattan.

Mallanslag

Valfria tillbehör

Mallanslaget fungerar som en hylsa genom vilken fråshuvudet passerar så att fräsen kan användas med mallar.

- **Fig.13**

1. Lossa skruvarna och ta bort bottenplattans skydd.
- **Fig.14:** 1. Bottenplattans skydd 2. Skruvar

2. Placera mallanslaget på bottenplattan och sätt tillbaka skyddet igen. Fäst sedan bottenplattans skydd genom att dra åt skruvarna.

3. Fäst mallen mot arbetsstycket. Placera verktyget på mallen och för verktyget med mallanslaget glidande utefter mallens sida.

- **Fig.15:** 1. Fråshuvud 2. Bottenplatta
3. Bottenplattans skydd 4. Mall
5. Arbetsstycke 6. Mallanslag

OBS: Arbetsstycket kommer att fräsas med en liten skillnad i storlek i jämförelse med mallen. Räkna med ett avstånd (X) mellan fråshuvudet och mallanslagets utsida. Avståndet (X) kan beräknas genom att använda följande ekvation:

Avstånd (X) = (mallanslagets ytterdiameter - fråshuvudets diameter)/2

Parallellanslag

Valfria tillbehör

Parallellanslaget är effektivt att använda för raka arbetslinjer vid avfasning eller spårfräsning.

- **Fig.16**

1. Fäst anhället på parallellanslaget med bulten och vingmuttern.

- **Fig.17:** 1. Bult 2. Anhåll 3. Parallellanslag
4. Vingmutter

2. Sätt fast parallellanslagsanordningen med spännskruven.

- **Fig.18:** 1. Spännskruv 2. Parallellanslag
3. Vingmutter 4. Bottenplatta

3. Lossa vingmuttern på parallellanslagsanordningen och justera avståndet mellan fråshuvudet och parallellanslaget. Fäst vingmuttern ordentligt vid önskat avstånd.

4. För verktyget med parallellanslaget plant mot arbetsstyckets sida under fräsningen.

Om avståndet mellan arbetsstyckets sida och fräslinjen är för stort för parallellanslaget, eller om arbetsstyckets sida inte är rakt, kan parallellanslaget inte användas. Spänn i sådant fall fast en träskiva med rak kant på arbetsstycket och använd den som anslag mot kantfräsens bottenplatta. För verktyget i pilens riktning.

- **Fig.19**

Cirkelarbete

Cirkelarbete kan utföras om du monterar parallellanslaget och anhållet, så som visas i figurerna.

Minimal och maximal radie hos cirklar som ska fräsas (avståndet mellan cirkelns centrum och fråshuvudets centrum) är enligt följande:

Min.: 70 mm

Max.: 221 mm

För fräsning av cirklar med en radie mellan 70 mm och 121 mm

- **Fig.20:** 1. Vingmutter 2. Anhåll 3. Parallellanslag
4. Mitthål 5. Bult

För fräsning av cirklar med en radie mellan 121 mm och 221 mm

- **Fig.21:** 1. Vingmutter 2. Anhåll 3. Parallellanslag
4. Mitthål 5. Bult

OBS: Cirklar med en radie mellan 172 mm och 186 mm kan inte fräsas med detta anslag.

1. Rikta in mitthålet på parallellanslaget efter mittpunkten på den cirkel som ska fräsas.
► **Fig.22:** 1. Spik 2. Mitthål 3. Parallellanslag
2. Slå i en spik som är mindre än 6 mm i diameter i mitthålet för att fästa parallellanslaget.
3. Sväng verktyget medurs runt spiken.

Kantanslag

Valfria tillbehör

Kantfräsning av böjda ytor i fanér för möbler och liknande kan lätt göras med fräsanslaget. Rullanslaget följer den böjda kanten och garanterar ett fint frässpår.

► **Fig.23**

1. Montera fräsanslaget och anslagshållaren på bottenplattan med spännskruven (A).
2. Lossa spännskruven (B) och justera avståndet mellan fråshuvudet och fräsanslaget genom att vrida på justeringskruven (1 mm per varv). Vid önskat avstånd drar du åt spännskruven (B) för att säkra fräsanslaget på plats.
► **Fig.24:** 1. Inställningskruva 2. Anslagshållare
3. Kantanslag
3. För verktyget med rullanslaget löpande mot arbetsstyckets sida under fräsningen.
► **Fig.25:** 1. Arbetsstycke 2. Fråshuvud 3. Rullanslag

Fällbar bottenplatta

Valfria tillbehör

Den fällbara bottenplattan är avsedd för att trimma kanten på laminatskivor eller liknande material. Den fällbara bottenplattan är behändig vid fäsning.

1. Placera verktyget på den fällbara bottenplattan, lossa spännskruvarna och luta verktyget i önskad vinkel.
2. Stäng låsspaken där fråshuvudet sticker ut med önskad längd, och dra åt spännskruvarna i önskad vinkel.

3. Spänn fast en rak bräda ordentligt på arbetsstycket och använd den som ett anslag mot den fällbara bottenplattan. För verktyget i pilens riktning.

► **Fig.26:** 1. Spännskruvar 2. Låsspak

Använda den fällbara bottenplattans skydd ihop med bottenplattan

Den fällbara bottenplattans skydd (kvadratisk), som är borttaget från den fällbara bottenplattan, kan monteras på den. Bottenplattans form kan ändras från rund till kvadratisk.

1. Ta bort den fällbara bottenplattans skydd från bottenplattan genom att lossa och ta bort de fyra skruvarna.
2. Montera den fällbara bottenplattans skydd på bottenplattan.
► **Fig.27:** 1. Skydd för fällbar bottenplatta 2. Skruv

Distansbottenplatta

Valfria tillbehör

Distansbottenplattan är avsedd för att trimma kanten på laminatskivor eller liknande material.

Distansbottenplattan är praktisk för arbete i trånga utrymmen.

► **Fig.28**

Använda verktyget med distansbottenplattan

1. Innan verktyget monteras på distansbottenplattan ska hylsmuttern och spännhylsan tas bort genom att man lossar på hylsmuttern.
► **Fig.29:** 1. Drivhjul 2. Hylsmutter 3. Spännhylsa
2. Montera drivhjulet på verktyget genom att trycka på spindelläset och dra åt drivhjulet hårt med en nyckel.
► **Fig.30:** 1. Skiftnyckel 2. Drivhjul 3. Spindelläs
3. Placera spännhylsan och skruva på hylsmuttern på distansbottenplattan, så som visas i figuren.
► **Fig.31:** 1. Hylsmutter 2. Spännhylsa
4. Installera distansbottenplattan på verktyget.
► **Fig.32**
5. Haka remmen över drivhjulet med hjälp av en skruvmejsel och kontrollera att remmens hela bredd passar helt över drivhjulet.
► **Fig.33:** 1. Drivhjul 2. Rem
6. Stäng låsspaken.
► **Fig.34:** 1. Låsspak
7. Installera fråshuvudet på följande sätt.
Lägg ner verktyget med distansbottenplattan. Sätt i insexnyckeln i hålet på distansbottenplattan.
Med insexnyckeln i det läge som visas i figuren ska fråshuvudet föras in, från motsatt sidan, i spännhylsan på distansbottenplattans skaft, och hylsmuttern dras åt ordentligt med en nyckel.
► **Fig.35:** 1. Skiftnyckel 2. Insexnyckel 3. Fråshuvud
8. Följ monteringsförfarandet i omvärd ordning för att ta ur fråshuvudet.

Använda bottenplattan med distansbottenplatta och grepptillsats

Distansbottenplattan kan också användas med bottenplatta och en grepptillsats (valfritt tillbehör) för mer stabilitet.

► **Fig.36**

1. Lossa skruvarna och ta bort den övre delen från distansbottenplattan. Lägg undan den övre delen av distansbottenplattan.

► **Fig.37:** 1. Skruvar 2. Distansbottenplatta 3. Distansbottenplattans överdel

2. Montera distansbottenplattan med fyra skruvar och grepptillsatsen med två skruvar på distansbottenplattan. Skruva på ett rörformat grepp (valfritt tillbehör) på grepptillsatsen. Knoppgreppet, som är borttaget från den sänkbara bottenplattan (valfritt tillbehör), kan monteras på grepptillsatsen. För att montera knoppgreppet ska det placeras på grepptillsatsen och fästas med en skruv.

Med rörformat grepp

► **Fig.38:** 1. Rörformat grepp 2. Grepptillsats 3. Distansbottenplatta

Med knoppgrepp

► **Fig.39:** 1. Skruv 2. Knoppgrepp 3. Grepptillsats

Använda maskinen med den sänkbara bottenplattan

Valfria tillbehör

⚠ FÖRSIKTIGT: Håll i verktyget ordentligt med båda händerna när det används som en handöverfräs.

1. För att använda verktyget som en handöverfräs ska det monteras på en sänkbar bottenplatta (valfritt tillbehör) genom att trycka ner det helt. Antingen knoppgreppet eller det rörformade greppet (valfritt tillbehör) kan användas, beroende på arbetet.

► **Fig.40:** 1. Sänkbar bottenplatta 2. Rörformat grepp

2. För att använda det rörformade greppet (valfritt tillbehör) ska skruven lossas och knoppgreppet tas bort.

► **Fig.41:** 1. Skruv 2. Knoppgrepp

3. Skruva på det rörformade greppet på bottenplattan.

► **Fig.42:** 1. Rörformat grepp

Justering av spårdjupet vid användning av sänkbar bottenplatta (valfritt tillbehör)

⚠ FÖRSIKTIGT: Håll alltid verktyget stadigt i båda handtagen under arbetet.

► **Fig.43:** 1. Justeringsratt 2. Låsspak 3. Pekare för fräsdjup 4. Inställningsmutter för stoppstång 5. Snabbmatningsknapp 6. Stoppstång 7. Stoppkloss 8. Justerande insexbult

1. Placera verktyget på ett plant underlag. Lossa låsspaken och sänk verktyghuset tills fråshuvudet precis vidrör det plana underlaget. Dra åt låsspaken för att låsa verktyghuset.

2. Vrid stoppstängens inställningsmutter moturs. Sänk stoppstängen tills den kommer i kontakt med den justerande sexkantsbulten. Rikta in pekaren för fräsdjup mot graderingen "0". Fräsdjupet indikeras på skalan av pekaren för fräsdjup.

3. Lyft stoppstängen tills det önskade fräsdjupet är inställt, medan du håller in knappen för snabbmatning. Finjustering av fräsdjupet kan göras genom att vrida på justeringsratten (1 mm per varv).

4. Genom att vrida stoppstängens inställningsmutter medurs, kan du skruva fast stoppstaven ordentligt.

5. Det fastställda spårdjupet kan erhållas genom att lossa låsspaken och därefter sänka verktyget tills stoppstaget får kontakt med stoppstängens justerbara bult.

6. Placera bottenplattan på arbetsstycket utan att fråshuvudet kommer i kontakt med arbetsstycket.

7. Starta verktyget och vänta tills fråshuvudet upp-nått full hastighet.

8. Sänk verktyghuset och för verktyget långsamt framåt över arbetsstyckets yta, medan du håller bottenplattan plant och fortsätter varsamt tills fråsningen är klar.

Vid kantfräsning ska arbetsstyckets yta befinna sig på vänster sida av fråshuvudet i matningsriktningen.

► **Fig.44:** 1. Arbetsstycke 2. Fråshuvudets rotationsriktning 3. Vy från toppen av verktyget 4. Matningsriktning

När parallellanslaget eller fräsanslaget används bör du se till att hålla det på höger sida i matningsriktningen. Det blir då lättare att hålla det plant mot arbetsstyckets sida.

► **Fig.45:** 1. Matningsriktning 2. Fråshuvudets rotationsriktning 3. Arbetsstycke 4. Parallellanslag

OBS: Om verktyget förs framåt allför snabbt kan den frästa ytan få en dålig finish, eller så kan fråshuvudet eller motorn skadas. Om verktyget förs framåt allför långsamt kan arbetsstycket bli bränt och ytan skadas. Lämplig matningshastighet beror på fråshuvudets dimension, typ av arbetsstycke och fräsdjup. Det är lämpligt att utföra en provfräsning på en träbit innan fråsningen på det faktiska arbetsstycket påbörjas. Därmed kan man exakt se hur resultatet av fråsningen kommer att se ut och även kontrollera dimensionerna.

Parallellanslag för anslagshållare

Valfria tillbehör

Parallellanslaget är effektivt att använda för raka arbetslinjer vid avfasning eller spårfräsning.

- **Fig.46:** 1. Bult 2. Anslagshållare 3. Vingmutter (A) 4. Bult 5. Vingmutter (B) 6. Anhåll 7. Parallellanslag 8. Vingbultar

1. Montera parallellanslagsanordningen på anslagshållaren (valfritt tillbehör) med bulten och vingmuttern (A).
2. Sätt in anslagshållaren i hålen på den sänkbara bottenplattan och dra åt vingbultarna.
3. Lossa på vingmuttern (B) för att justera avståndet mellan fräsverket och parallellanslaget. Vid önskat avstånd drar du åt vingmuttern (B) för att fästa parallellanslaget på plats.

Parallellanslag

Valfria tillbehör

Parallellanslaget är effektivt att använda för raka arbetslinjer vid avfasning eller spårfräsning.

- **Fig.47**

1. Sätt in svärderna i hålen på den sänkbara bottenplattan.
► **Fig.48:** 1. Svärd 2. Vingmutter 3. Parallellanslag
2. Justera avståndet mellan fråshuvudet och parallellanslaget. Vid önskat avstånd drar du åt vingmuttrarna för att fästa parallellanslaget på plats.
3. För verktyget med parallellanslaget plant mot arbetsstyckets sida under fräsningen.

Om avståndet mellan arbetsstyckets sida och fräslinjen är för stort för parallellanslaget, eller om arbetsstyckets sida inte är rakt, kan parallellanslaget inte användas. Spänn in så fall fast en träskiva med rak kant på arbetsstycket, och använd den som anslag mot handfräsens bottenplatta. För verktyget i pilens riktning.

- **Fig.49**

Mallanslag

Valfria tillbehör

Mallanslaget fungerar som en hylsa genom vilken fråshuvudet passerar så att fräsen kan användas med mallar.

- **Fig.50**

1. Lossa skruvarna på bottenplattan, för in mallanslaget och dra sedan åt skruvarna.
► **Fig.51:** 1. Skruv 2. Bottenplatta 3. Mallanslag
2. Fäst mallen mot arbetsstycket. Placera verktyget på mallen och för verktyget med mallanslaget glidande utefter mallens sida.
► **Fig.52:** 1. Fråshuvud 2. Bottenplatta 3. Bottenplattans skydd 4. Mall 5. Arbetsstycke 6. Mallanslag

OBS: Arbetsstycket kommer att fräsas med en liten skillnad i storlek i jämförelse med mallen. Räkna med ett avstånd (X) mellan fråshuvudet och mallanslagets utsida. Avståndet (X) kan beräknas genom att använda följande ekvation:

$$\text{Avstånd (X)} = (\text{mallanslagets ytterdiameter} - \text{fråshuvudets diameter})/2$$

Dammunstyckssatser

Använd dammunstycket för att ta bort damm.

För bottenplattan

Installera dammunstycket på bottenplattan med tumskruven.

- **Fig.53:** 1. Dammunstycke 2. Tumskruv 3. Bottenplatta

För den sänkbara bottenplattan

Valfria tillbehör

1. Montera dammunstycket på den sänkbara bottenplatta med hjälp av tumskruven, så att den utskjutande delen på dammunstycket passar in i spåret på den sänkbara bottenplattan.

- **Fig.54:** 1. Dammunstycke 2. Tumskruv 3. Sänkbar bottenplatta

2. Anslut en dammsugare till dammunstycket.

- **Fig.55**

UNDERHÅLL

⚠ FÖRSIKTIGT: Se alltid till att maskinen är avstängd och nätkabeln urdragen innan inspektion eller underhåll utförs.

OBSERVERA: Använd inte bensin, förtunningsmedel, alkohol eller liknande. Missfärgning, deformation eller sprickor kan uppstå.

För att upprätthålla produktens SÄKERHET och TILLFÖRLITLIGHET bör allt underhålls- och justeringsarbete utföras av ett auktoriserat Makita servicecenter och med reservdelar från Makita.

Byte av kolborstar

- **Fig.56:** 1. Slitagemarkering

Kontrollera kolborstarna regelbundet. Byt ut dem när de är nedslitna till slitagemarkeringen. Håll kolborstarna rena så att de lätt kan glida in i hållarna. Båda kolborstarna ska bytas ut samtidigt. Använd endast identiska kolborstar.

1. Använd en skruvmejsel för att ta bort locken till kolborstarna.

2. Ta ur de utslitna kolborstarna, montera nya och montera locken.

- **Fig.57:** 1. Borsthållarlock

VALFRIA TILLBEHÖR

⚠ FÖRSIKTIGT: Följande tillbehör eller tillsatser rekommenderas för användning med den Makita-maskin som denna bruksanvisning avser. Om andra tillbehör eller tillsatser används kan det uppstå risk för personskador. Använd endast tillbehören eller tillsatserna för de syften de är avsedda för.

Kontakta ditt lokala Makita servicecenter om du behöver ytterligare information om dessa tillbehör.

- Notfräs- och spårfräsverktyg
- Kantfräsverktyg
- Kantfräsverktyg med styrlager
- Parallellanslagsanordning
- Fräsanslag
- Sats för bottenplatta (harts)
- Sats för fällbar bottenplatta
- Sats för sänkbar bottenplatta
- Sats för distansbottenplatta
- Mallanslag
- Spännhylsa
- Skiftnyckel
- Dammunstycke
- Styrskena
- Adaptersats för styrskena
- Parallellanslag med mikrojustering
- Sidohandtag
- Grepp tillsats

OBS: Några av tillbehören i listan kan vara inkluderade i maskinpaketet som standardtillbehör. De kan variera mellan olika länder.

Fråshuvuden

Notfräs

► Fig.58

D	A	L1	L2
6	20	50	15
1/4 tum			
8	8	60	25
6		50	18
1/4 tum			
6	6	50	18
1/4 tum			

Måtenhet: mm

U-notfräs

► Fig.59

D	A	L1	L2	R
6	6	60	28	3
1/4 tum				

Måtenhet: mm

V-notfräs

► Fig.60

D	A	L1	L2	θ
1/4 tum	20	50	15	90°

Måtenhet: mm

Kantfräs med styrlager

► Fig.61

D	A	L1	L2	L3
8	6	60	20	35
6		60	18	28
1/4 tum				

Måtenhet: mm

Kantfräs med dubbelt styrlager

► Fig.62

D	A	L1	L2	L3	L4
8	6	80	95	20	25
6		70	40	12	14
1/4 tum					

Måtenhet: mm

Avrundningsfräs

► Fig.63

D	A1	A2	L1	L2	L3	R
6	25	9	48	13	5	8
1/4 tum						
6	20	8	45	10	4	4
1/4 tum						

Måtenhet: mm

Fasfräs

► Fig.64

D	A	L1	L2	L3	θ
6	23	46	11	6	30°
6	20	50	13	5	45°
6	20	49	14	2	60°

Måtenhet: mm

Hålkärnsfräs

► Fig.65

D	A	L1	L2	R
6	20	43	8	4
6	25	48	13	8

Måtenhet: mm

Kullagrad kantfräs

► Fig.66

D	A	L1	L2
6	10	50	20
1/4 tum			

Mätenhet: mm

Kullagrad avrundningsfräs

► Fig.67

D	A1	A2	L1	L2	L3	R
6	15	8	37	7	3,5	3
6	21	8	40	10	3,5	6
1/4 tum	21	8	40	10	3,5	6

Mätenhet: mm

Kullagrad fasfräs

► Fig.68

D	A1	A2	L1	L2	θ
6	26	8	42	12	45°
1/4 tum					
6	20	8	41	11	60°

Mätenhet: mm

Kullagrad spegelprofilfräs

► Fig.69

D	A1	A2	A3	L1	L2	L3	R
6	20	12	8	40	10	5,5	4
6	26	12	8	42	12	4,5	7

Mätenhet: mm

Kullagrad hålkärnsfräs

► Fig.70

D	A1	A2	A3	A4	L1	L2	L3	R
6	20	18	12	8	40	10	5,5	3
6	26	22	12	8	42	12	5	5

Mätenhet: mm

Kullagrad profilfräs

► Fig.71

D	A1	A2	L1	L2	L3	R1	R2
6	20	8	40	10	4,5	2,5	4,5
6	26	8	42	12	4,5	3	6

Mätenhet: mm

TEKNISKE DATA

Modell:	RT0702C
Flenspatronkapasitet	6 mm, 8 mm eller 1/4"
Hastighet uten belastning	10 000 - 34 000 min ⁻¹
Total høyde	210 mm
Nettvekt	1,8 - 2,8 kg
Sikkerhetsklasse	II

- På grunn av vårt kontinuerlige forsknings- og utviklingsprogram kan spesifikasjonene som oppgis i dette dokumentet endres uten varsel.
- Spesifikasjonene kan variere fra land til land.
- Vekten kan variere avhengig av tilbehøret/tilbehørene. Den letteste og tyngste kombinasjonen, i henhold til EPTA-prosedyre 01/2014, vises i tabellen.

Riktig bruk

Dette verktøyet er laget for rask tilskjæring og profilering av tre, plast og lignende materialer.

Strømforsyning

Maskinen må bare kobles til en strømkilde med samme spenning som vist på typeskiltet, og kan bare brukes med enfase-vekselstrømforsyning. Den er dobbelt verneisoleret og kan derfor også brukes fra kontakter uten jording.

Støy

Typisk A-vektet lydtrykknivå er bestemt i henhold til EN62841-2-17:

Lydtrykknivå (L_{pA}): 82 dB (A)

Lydeffektnivå (L_{WA}): 93 dB (A)

Usikkerhet (K): 3 dB (A)

MERK: Den/de oppgitte verdien(e) for genererte vibrasjoner har blitt målt i henhold til standard testmetoder, og kan bli brukt til å sammenligne ett verktøy med et annet.

MERK: Den/de angitte verdien(e) for de genererte vibrasjonene kan også brukes til en foreløpig vurdering av eksponeringen.

⚠ ADVARSEL: Bruk hørselsvern.

⚠ ADVARSEL: De genererte vibrasjonene ved faktisk bruk av elektroverktøyet kan avvike fra den/de angitte vibrasjonsverdien(e), avhengig av hvordan verktøyet brukes.

⚠ ADVARSEL: Sørg for å identifisere vernetiltak for å beskytte operatøren, som er basert på et estimat av eksponeringen under de faktiske bruksforholdene (idet det tas hensyn til alle deler av driftssyklusen, dvs. hvor lenge verktøyet er slått av, hvor lenge det går på tomgang og hvor lenge startbryteren faktisk holdes trykket).

Vibrasjoner

Den totale vibrasjonsverdien (triaksial vektorsum) bestemt i henhold EN62841-2-17:

Arbeidsmodus: Rotasjon uten belastning

Genererte vibrasjoner (a_{h1}): 2,5 m/s² eller mindre

Usikkerhet (K): 1,5 m/s²

MERK: Den/de oppgitte verdien(e) for totalt genererte vibrasjoner har blitt målt i henhold til standard testmetoder, og kan bli brukt til å sammenligne ett verktøy med et annet.

MERK: Den/de angitte verdien(e) for totalt genererte vibrasjoner kan også brukes til en foreløpig vurdering av eksponeringen.

⚠ ADVARSEL: De genererte vibrasjonene ved faktisk bruk av elektroverktøyet kan avvike fra den/de angitte vibrasjonsverdien(e), avhengig av hvordan verktøyet brukes og spesielt i forhold til arbeidsstykket som blir behandlet.

⚠ ADVARSEL: Sørg for å identifisere vernetiltak for å beskytte operatøren, som er basert på et estimat av eksponeringen under de faktiske bruksforholdene (idet det tas hensyn til alle deler av driftssyklusen, dvs. hvor lenge verktøyet er slått av, hvor lenge det går på tomgang og hvor lenge startbryteren faktisk holdes trykket).

EFs samsvarserklæring

Gjelder kun for land i Europa

EFs samsvarserklæring er lagt til som vedlegg A i denne bruksanvisningen.

SIKKERHETSADVARSEL

Generelle advarsler angående sikkerhet for elektroverktøy

⚠ADVARSEL: Les alle sikkerhetsadvarsler, instruksjoner, illustrasjoner og spesifikasjoner som følger med dette elektroverktøyet. Hvis ikke alle instruksjonene nedenfor følges, kan det forekomme elektrisk støt, brann og/eller alvorlig skade.

Oppbevar alle advarsler og instruksjoner for senere bruk.

Uttrykket «elektrisk verktøy» i advarslene refererer både til elektriske verktøy (med ledning) tilkoblet strømmenettet, og batteridrevne verktøy (uten ledning).

Sikkerhetsadvarsler for tilskjæringsmaskin

1. Hold verktøyet kun i det isolerte håndtaket, da skjærebladet kan komme i kontakt med sin egen ledning under arbeidet. Hvis en strømførende ledning kuttes, vil uisolerte metalldele av elektroverktøyet bli strømførende, og kan gi brukeren elektrisk støt.
2. Bruk tvinger eller en annen praktisk måte for å sikre og støtte arbeidsstykket på en stabil plattform. Hvis du holder det med hånden eller mot kroppen, kan det være ustabil og føre til at du mister kontrollen.
3. Tilskjæringsbitset må passe til den tilhørende flenspatronen.
4. Bruk kun et tilskjæringsbits som er merket for minst den samme maksimale hastigheten som er merket på verktøyet.
5. Bruk hørselsvern ved lengre arbeidsøkter.
6. Tilskjæringsbitset skal håndteres meget forsiktig.
7. Sjekk at det ikke finnes sprekker eller andre skader på tilskjæringsbitset, før du tar det i bruk. Skift ut sprukne eller ødelagte bits omgående.
8. Unngå å skjære i spiker. Se etter og fjern alle spikre fra arbeidsstykket, før arbeidet påbegynnes.
9. Hold godt fast i verktøyet.
10. Hold hendene unna roterende deler.
11. Forvisse deg om at tilskjæringsbitset ikke er i kontakt med arbeidsstykket før startbryteren er slått på.
12. La maskinen gå en liten stund, før du begynner å bruke den på et arbeidsstykke. Se etter vibrasjoner eller vingling som kan tyde på at bitset ikke er korrekt montert.
13. Vær nøye med tilskjæringsbitsets dreieretning og arbeidsretning.
14. Ikke gå fra verktøyet mens det er i gang. Verktøyet må bare brukes mens operatøren holder det i hendene.
15. Før du fjerner verktøyet fra arbeidsstykket, må du alltid slå av maskinen og vente til tilskjæringsbitset har stoppet helt.
16. Ikke rør tilskjæringsbitset umiddelbart etter bruk. Det kan være ekstremt varmt og kan gi brannskader.

17. Ikke søl tynner, bensin, olje eller lignende på foten. Disse stoffene kan forårsake sprekker i foten.
18. Enkelte materialer inneholder kjemikalier som kan være giftige. Vis varsomhet for å hindre hudkontakt og innånding av støv. Følg leverandørens sikkerhetsanvisninger.
19. Bruk alltid riktig støvmaske/pustemaske for materialet og bruksområdet du arbeider med.
20. Plasser verktøyet på et stabilt sted. Ellers kan det oppstå en fallulykke som forårsaker personskader.

TA VARE PÅ DISSE INSTRUKSENE.

⚠ADVARSEL: IKKE LA hensynet til hva som er "behagelig" eller det faktum at du kjenner produktet godt (etter mange gangers bruk) gjøre deg mindre oppmerksom på sikkerhetsreglene for bruken av det aktuelle produktet. Ved MISBRUK eller hvis ikke sikkerhetsreglene i denne bruksanvisningen følges, kan det oppstå alvorlig personskade.

FUNKSJONSBEKRIVELSE

⚠FORSIKTIG: Forvisse deg alltid om at maskinen er slått av og støpselet trukket ut av kontakten før du justerer eller kontrollerer de mekaniske funksjonene.

Juster tilskjæringsbitsfremspringet

For å justere bitsfremspringet åpner du sperrehendelen og flytter foten opp eller ned etter ønske ved å vri på justeringsskruen. Når du er ferdig med å justere, lukker sperrehendelen godt for å feste foten.

- Fig. 1: 1. Ramme 2. Skala 3. Bitsfremspringet
4. Sperrehendel 5. Justeringsskrue
6. Sekskantmutter

MERK: Hvis verktøyet ikke er festet selv om sperrehendelen er lukket, strammer du sekskantmutteren og lukker sperrehendelen.

Bryterfunksjon

⚠FORSIKTIG: Før du setter støpselet inn i kontakten, må du alltid forvisse deg om at verktøyet er slått av.

Start verktøyet ved å trykke på den siden av bryteren som er merket med I. Stopp verktøyet ved å trykke på den siden av bryteren som er merket med O.

- Fig. 2: 1. Bryter

Elektronisk funksjon

Maskinen er utstyrt med de elektroniske funksjonen for å gjøre den enkel å bruke.

Indikatorlampe

► Fig.3: 1. Indikatorlampe

Indikatorlampen lyser grønt når verktøyet er koblet til. Hvis indikatorlampen ikke tennes, kan det være en feil på strømledningen eller kontrolleren. Hvis indikatorlampen tennes, men verktøyet ikke starter selv om det er slått på, kan kullbørstene være slitt, eller det kan være en feil på kontrolleren, motoren eller på/av-bryteren.

Sikker mot utilsiktet omstart

Verktøyet starter ikke når det trykkes på den siden av bryteren som er merket med I, selv når verktøyet er koblet til stikkontakten.

På dette tidspunktet blinker indikatorlampen rødt og viser at anordningen som skal hindre utilsiktet omstart, er i funksjon. For å avbryte anordningen som skal hindre utilsiktet omstart trykker du på den siden av bryteren som er merket med O.

Mykstartfunksjon

Mykstartfunksjonen reduserer oppstartssjokket til et minimum, og gjør at verktøyet starter mykt.

Konstant hastighetskontroll

Elektronisk hastighetskontroll for å oppnå konstant hastighet.

Du kan oppnå fin overflate fordi rotasjonshastigheten holdes konstant, selv under belastning.

Hastighetsinnstillingshjul

⚠ ADVARSEL: Ikke bruk hastighetsinnstillingshjulet mens verktøyet sviver. Operatøren kan komme bort i tilskjæringsbitset på grunn av reaksjonskraften. Dette kan føre til personskade.

⚠ FORSIKTIG: Hvis verktøyet brukes lenge og kontinuerlig ved lavt turtall, vil motoren bli overbelastet og slutte å virke som den skal.

⚠ FORSIKTIG: Hastighetsinnstillingshjulet kan kun dreies til 6 og så tilbake til 1. Ikke prøv å dreie det forbi 6 eller 1, da det kan føre til at hastighetsinnstillingsfunksjonen slutter å virke.

Du kan endre verktøyhastigheten ved å dreie på innstillingshjulet for turtallet til en gitt tallinnstilling fra 1 til 6.

► Fig.4: 1. Hastighetsinnstillingshjul

Hastigheten øker når hastighetsinnstillingshjulet dreies mot tallet 6. Lavere hastighet oppnås når hjulet dreies mot tallet 1. På denne måten kan den ideelle hastigheten velges for optimal materialbehandling, dvs. at hastigheten kan justeres korrekt for å passe til det aktuelle materialet og bitsdiameteren. Se også tabellen når det gjelder forholdet mellom tallinnstillingen på hjulet og den omtrentlige verktøyhastigheten.

Tall	min ⁻¹
1	10 000
2	12 000
3	17 000
4	22 000
5	27 000
6	34 000

MONTERING

⚠ FORSIKTIG: Forviss deg alltid om at maskinen er slått av og støpselet trukket ut av kontakten før du utfører noe arbeid på maskinen.

Montere eller demontere tilskjæringsbits

⚠ FORSIKTIG: Ikke stram kjoksmutterne uten å sette inn et tilskjæringsbits, ellers vil patronkonusen ødelegges.

⚠ FORSIKTIG: Bruk bare de skrunøkklene som fulgte med verktøyet.

Tilskjæringsbitset kan monteres på to måter. Du velger selv hvordan du gjør det.

Med to skrunøkler

Sett tilskjæringsbitset helt inn i patronkonusen, og stram kjoksmutteren godt med én skrunøkkel mens du holder halsen med den andre skrunøkklene.

► Fig.5: 1. Stramme 2. Løsne 3. Hals 4. Kjoksmutter

Med én skrunøkkel

Sett tilskjæringsbitset helt inn i patronkonusen, og stram kjoksmutteren godt med skrunøkklene mens du trykker på spindellåsen.

► Fig.6: 1. Stramme 2. Løsne 3. Spindellås 4. Kjoksmutter

Ta ut tilskjæringsbitset ved å følge monteringsprosedyren i motsatt rekkefølge.

Bytte ut patronkonusen

⚠ FORSIKTIG: Bruk riktig størrelse på patronkonusen for tilskjæringsbitset du tenker å bruke.

⚠ FORSIKTIG: Ikke stram kjoksmutteren uten at du monterer et tilskjæringsbits, ellers kan patronkonusen brekke.

1. Løsne kjoksmutteren, og fjern den.
2. Bytt ut patronkonusen som er montert med ønsket patronkonus.
3. Sett kjoksmutteren tilbake på plass.

► Fig.7: 1. Patronkonus 2. Kjoksmutter

BRUK

⚠ FORSIKTIG: Ha alltid én hånd på selve verktøykabinettet, for å holde verktøyet godt på plass. Ikke ta i metalldelen.

For foten

⚠ ADVARSEL: Sett alltid støvmunnstykket på foten før du bruker verktøyet med foten.

► **Fig.8:** 1. Støvmunnstykke 2. Fingerskrue 3. Fot

1. Sett foten på arbeidsemnet som skal skjæres, uten at tilskjæringsbitset kommer borti arbeidsemnet.
2. Slå på maskinen og vent til tilskjæringsbitset oppnår full hastighet.
3. Skyv verktøyet fremover over overflaten på arbeidsemnet mens du holder foten i flukt, og beveg det jevnt fremover til skjæringen er fullført.

► **Fig.9**

Ved kantfresing må overflaten på arbeidsemnet være på venstre side av tilskjæringsbitset i arbeidsretningen.

► **Fig.10:** 1. Arbeidsemne 2. Bitsets dreieretning
3. Visning fra oversiden av verktøyet
4. Arbeidsretning

Når du bruker føringskinnen eller skjæreføringen, må du passe på å holde den på høyre side i materetningen. Dette vil hjelpe deg å holde den i flukt med siden på arbeidsemnet.

► **Fig.11:** 1. Materetning 2. Bitsets dreieretning
3. Arbeidsemne 4. Rett føring

MERK: Beveger du verktøyet forover for raskt, kan det resultere i dårlig skjærekvalitet eller skader på tilskjæringsbitset eller i motoren. Hvis verktøyet beveges for sakte, kan du brenne eller skade kuttet. Riktig hastighet avhenger av størrelsen på bitset, typen arbeidsemne og fredsedybden. Før du starter skjæringen i det aktuelle arbeidsemnet, råder vi deg til å foreta en prøveskjæring på et stykke kapp. Dette vil vise nøyaktig hvordan kuttet kommer til å se ut og gjør det mulig for deg å sjekke målene.

⚠ FORSIKTIG: Siden for mye skjæring kan overbelaste motoren eller skape vanskeligheter med å kontrollere verktøyet, må ikke skjæredybden være mer enn 3 mm på det dypeste når du skjærer spor. Hvis du ønsker å frese sporene dypere enn 3 mm, må du foreta flere skjæringer med gradvis dypere innstillinger.

Fot (harpiks)

Valgfritt tilbehør

Du kan bruke foten (harpiks) som valgfritt tilbehør som vist i figuren.

► **Fig.12:** 1. Klemmskrue

Plasser verktøyet på foten (harpiks), og skru fast klemmskruen når tilskjæringsbitset stikker ut slik du vil. Fremgangsmåter finner du under informasjonen om bruk av foten.

Templetføring

Valgfritt tilbehør

Malføringen har en hylse som tilskjæringsbitset går igjennom. Dette gjør det mulig å bruke tilskjæringsmaskinen med malmønster.

► **Fig.13**

1. Løsne skruene og ta av fotbeskyttelsen.

► **Fig.14:** 1. Fotbeskyttelse 2. Skruer

2. Plasser malføringen på foten, og plasser fotbeskyttelsen på nytt. Sikre fotbeskyttelsen ved å stramme skruene.

3. Fest malen på arbeidsemnet. Plasser verktøyet på malen og skyv verktøyet med malføringen langs siden på malen.

► **Fig.15:** 1. Tilskjæringsbits 2. Ramme
3. Fotbeskyttelse 4. Templet
5. Arbeidsemne 6. Templetføring

MERK: Arbeidsemnet skjæres i litt forskjellig størrelse i forhold til templet. Tillatt avstand på (X) mellom tilskjæringsmaskinen og utsiden av templetføringen. Avstanden (X) kan kalkuleres med følgende ligning:

Avstand (X) = (utvendig diameter på templetføringen - tilskjæringsbitsdiameter) / 2

Rettt føring

Valgfritt tilbehør

Den rette føringen brukes for rette kutt ved skråfasing og sporfresing.

► **Fig.16**

1. Fest føringsplaten på den rette føringen med skruen og vingemutteren.

► **Fig.17:** 1. Bolt 2. Føringsplate 3. Rett føring
4. Vingemutter

2. Fest enheten for rett føring med klemmskruen.

► **Fig.18:** 1. Klemmskrue 2. Rett føring
3. Vingemutter 4. Ramme

3. Løsne vingemutteren på enheten for rett føring, og juster avstanden mellom tilskjæringsbitset og den rette føringen. Stram vingemutteren godt i ønsket avstand.

4. Når du skjærer, må du bevege verktøyet med den rette føringen i flukt med siden på arbeidsemnet.

Hvis avstanden mellom siden av arbeidsemnet og skjæreposisjonen er for stor for den rette føringen, eller hvis ikke siden av arbeidsemnet er rett, kan ikke den rette føringen brukes. I slike tilfeller må du klemme fast en rett planke til arbeidsemnet og bruke denne som en føring mot foten på tilskjæringsmaskinen. Mat verktøyet i pilens retning.

► **Fig.19**

Sirkelarbeid

Sirkelarbeid kan utføres hvis du setter sammen den rette føringen og føringsplaten som vist i figurene. Min. og maks. radius for sirkelene som skal skjæres (avstand mellom senter i sirkelen og senter på tilskjæringsbitset) er som følger:
Min.: 70 mm
Maks.: 221 mm

For å skjære sirkler mellom 70 mm og 121 mm i radius

► **Fig.20:** 1. Vingemutter 2. Føringsplate 3. Rett føring
4. Senterhull 5. Bolt

For å skjære sirkler mellom 121 mm og 221 mm i radius

► **Fig.21:** 1. Vingemutter 2. Føringsplate 3. Rett føring
4. Senterhull 5. Bolt

MERK: Sirkler mellom 172 mm og 186 mm i radius kan ikke skjæres ved hjelp av denne føringen.

1. Rett inn senterhullet i den rette føringen mot senter i sirkelen som skal skjæres.

► **Fig.22:** 1. Spiker 2. Senterhull 3. Rett føring

- Slå en spiker på under 6 mm diameter inn i senterhullet for å sikre føringen.
- Drei verktøyet rund spikeren med klokken.

Skjæreføring

Valgfritt tilbehør

Pussing, bueskjæring i finer og lignende er lett med skjæreføringen. Føringssrullen holder kurven og sikrer et fint kutt.

► Fig.23

- Monter skjæreføringen og føringsholderen på foten med klemskruen (A).
- Løsne klemskruen (B) og juster avstanden mellom tilskjæringsbitsen og tilskjæringsføringen ved å dreie på justeringsskruen (1 mm per omdreining). Når avstanden er slik du vil ha den, må du stramme klemskruen (B) for å feste skjæreføring på riktig sted.
► Fig.24: 1. Justeringsskrue 2. Føringsholder
3. Skjæreføring
- Når du skjærer, må du bevege verktøyet med føringssrullen langs siden på arbeidsemnet.
► Fig.25: 1. Arbeidsemne 2. Tilskjæringsbits
3. Føringssrull

Vippefot

Valgfritt tilbehør

Vippefoten brukes for tilpasning av kanten på laminatplater eller tilsvarende materialer. Vippefoten er praktisk for skråskjæring.

- Plasser verktøyet på vippefoten, løsne klemskruene, og vipp maskinen i ønsket vinkel.
- Lukk sperrehendelen når tilskjæringsbitset stikker frem slik du vil, og stram klemskruene i ønsket vinkel.
- Klem en rett planke fast mot arbeidsemnet, og bruk den som en føring mot vippefoten. Mat verktøyet i pilens retning.
► Fig.26: 1. Klemskrue 2. Sperrehendel

Bruke vippefotbeskytteren med foten

Vippefotbeskytteren (firkantet) kan monteres på foten når den er fjernet fra vippefoten. Fotbeskytterens form kan endres fra rund til firkantet.

- Fjern vippefotbeskytteren fra vippefoten ved å løsne og fjerne de fire skruene.
- Monter vippefotbeskytteren på foten.
► Fig.27: 1. Vippefotbeskytter 2. Skruer

Forskjøvet fot

Valgfritt tilbehør

Den forskjøvede foten brukes for tilpasning av kanten på laminatplater eller tilsvarende materialer. Den forskjøvede foten er nyttig for jobbing på trange steder.

► Fig.28

Bruke verktøyet med den forskjøvede foten

1. Før du monterer verktøyet på den forskjøvede foten, fjerner du kjoksmutteren og patronkonusen ved å løsne kjoksmutteren.

► Fig.29: 1. Trinse 2. Kjoksmutter 3. Patronkonus

2. Monter trinsen på verktøyet ved å trykke på spindellåsen og stramme trinsen godt med en skrunøkkel.

► Fig.30: 1. Skrunøkkel 2. Trinse 3. Spindellås

3. Plasser patronkonusen på plass, og skru kjoksmutteren på den forskjøvede foten som vist i figuren.

► Fig.31: 1. Kjøksmutter 2. Patronkonus

4. Monter den forskjøvede foten på verktøyet.

► Fig.32

5. Hekt den ene enden av båndet over trinsen ved hjelp av en skrunøkkel, og kontroller at hele båndbredden passer over hele trinsen.

► Fig.33: 1. Trinse 2. Bånd

6. Lukk sperrehendelen.

► Fig.34: 1. Sperrehendel

7. Monter tilskjæringsbitset på følgende måte.

Legg ned verktøyet med den forskjøvede foten. Sett sekskantnøkkelen inn i hullet i den forskjøvede foten.

Mens du holder sekskantnøkkelen på plass som vist i figuren, setter du tilskjæringsbitset inn i patronkonusen på skaffet til den forskjøvede foten fra motsatt side og strammer kjoksmutteren godt med en skrunøkkel.

► Fig.35: 1. Skrunøkkel 2. Sekskantnøkkel 3. Tilskjæringsbits

8. Ta ut tilskjæringsbitset ved å følge monteringsprosedyren i motsatt rekkefølge.

Bruke foten på med den forskjøvede fotplaten og håndtakfeste

Den forskjøvede foten kan også brukes med en fot og et håndtakfeste (valgfritt tilbehør) for bedre stabilitet.

► Fig.36

1. Løsne skruene, og fjern den øverste delen fra den forskjøvede foten. Sett til side den øverste delen av den forskjøvede foten.

► Fig.37: 1. Skrue 2. Forskjøvet fotplate 3. Øverste del av den forskjøvede foten

2. Monter den forskjøvede foten med fire skrue og håndtakfestet med to skrue på den forskjøvede fotplaten. Skru et stanghåndtak (valgfritt tilbehør) på håndtakfestet. En annen måte du kan bruke det på, er ved å bruke kulehåndtaket som fjernes fra en senkefot (valgfritt tilbehør) og som kan monteres på håndtakfestet. For å montere kulehåndtaket plasserer du det på håndtakfestet og skru det fast med en skrue.

Med stanghåndtak

► Fig.38: 1. Stanghåndtak 2. Håndtakfeste 3. Forskjøvet fotplate

Med kulehåndtak

► Fig.39: 1. Skruer 2. Kulehåndtak 3. Håndtakfeste

Bruke maskinen med senkefoten

Valgfritt tilbehør

⚠️ FORSIKTIG: Når du bruker en håndoverfres, holder du verktøyet godt med begge hender.

1. For å bruke verktøyet som en håndoverfres, monterer du verktøyet på en senkefot (valgfritt tilbehør) ved å trykke den helt ned. Enten kule- eller stanghåndtaket (valgfritt tilbehør) kan brukes, avhengig av arbeidet som skal utføres.

► **Fig.40:** 1. Senkefot 2. Stanghåndtak

2. For å bruke stanghåndtaket (valgfritt tilbehør), løsner du skruen og fjern kulehåndtaket.

► **Fig.41:** 1. Skru 2. Kulehåndtak

3. Skru stanghåndtaket på foten.

► **Fig.42:** 1. Stanghåndtak

Justere dybden ved bruk av senkefoten (valgfritt tilbehør)

⚠️ FORSIKTIG: Hold alltid godt fast i verktøyet i begge håndtakene under bruk.

► **Fig.43:** 1. Justeringsknott 2. Låsespak 3. Dybdepeker 4. Innstillingsmutter for stopperstang 5. Hurtigmaterknapp 6. Stopperstang 7. Stopperblokk 8. Justeringssekskantskrue

1. Plasser verktøyet på en jevn overflate. Løsne låsespaken, og senk verktøykroppen til tilskjæringsbitset såvidt berører den flate overflaten. Stram låsespaken for å låse verktøykroppen.

2. Drei innstillingskruen for stopperstangen mot klokken. Senk stopperstangen til den kommer i kontakt med justeringssekskantskruen. Plasser dybdepilen på linje med "0"-delestreken. Skjæredybden vises på skalaen ved hjelp av dybdepekeren.

3. Mens du trykker på hurtigmaterknappen, må du heve stopperstangen til du har oppnådd den ønskede skjæredybden. Du kan justere dybden i svært små trinn ved å dreie på justeringsknotten (1 mm per omdreining).

4. Ved å dreie innstillingskruen for stopperstangen med klokken kan du feste stopperstangen godt.

5. Nå kan du oppnå din forhåndsbestemte skjæredybde ved å løsne låsespaken og deretter senke verktøykroppen til stopperstangen berører justeringskruen til stopperblokken.

6. Sett foten på arbeidsemnet som skal skjæres, uten at tilskjæringsbitset kommer borti arbeidsemnet.

7. Slå på verktøyet, og vent til tilskjæringsbitset oppnår full hastighet.

8. Senk verktøykroppen, og beveg verktøyet over overflaten på arbeidsemnet mens du holder verktøytoten i flukt og beveg den jevnt fremover til skjæringen er fullført.

Ved kantfresing må overflaten på arbeidsemnet være på venstre side av tilskjæringsbitset i materetningen.

► **Fig.44:** 1. Arbeidsemne 2. Bitsets dreieretning 3. Visning fra oversiden av verktøyet 4. Materetning

Når du bruker den rette føringen eller skjæreføringen, må du passe på å holde den på høyre side i materetningen. Dette vil hjelpe deg med å holde den i flukt med siden på arbeidsemnet.

► **Fig.45:** 1. Materetning 2. Bitsets dreieretning 3. Arbeidsemne 4. Rett føring

MERK: Beveger du verktøyet forover for raskt, kan det resultere i dårlig skjærekvalitet eller skader på tilskjæringsbitset eller i motoren. Hvis verktøyet bevegtes for sakte, kan du brenne eller skade kuttet. Riktig hastighet avhenger av størrelsen på bitset, typen arbeidsemne og fresedybden. Før du starter skjæringen i det aktuelle arbeidsemnet, råder vi deg til å foreta en prøveskjæring på et stykke kapp. Dette vil vise nøyaktig hvordan kuttet kommer til å se ut og gjør det mulig for deg å sjekke målene.

Rett føring for føringsholder

Valgfritt tilbehør

Den rette føringen brukes for rette kutt ved skråfresing og sporfresing.

► **Fig.46:** 1. Bolt 2. Føringsholder 3. Vingemutter (A) 4. Bolt 5. Vingemutter (B) 6. Føringsplate 7. Rett føring 8. Vingebolter

1. Monter den rette føringen på føringsholderen (valgfritt tilbehør) med boltene og vingemutteren (A).
2. Sett føringsholderen inn i hullene i senkefoten, og stram vingebolter.
3. For å justere avstanden mellom tilskjæringsbitset og den rette føringen, løsner du vingemutteren (B). Når avstanden er slik du vil ha den, må du stramme vingemutteren (B) for å feste den rette føringen på riktig sted.

Rett føring

Valgfritt tilbehør

Den rette føringen brukes for rette kutt ved skråfresing og sporfresing.

► **Fig.47**

1. Sett føringsstengene inn i hullene i senkefoten.

► **Fig.48:** 1. Føringsstang 2. Vingemutter 3. Rett føring

2. Juster avstanden mellom tilskjæringsbitset og den rette føringen. Når avstanden er slik du vil ha den, må du stramme vingemutterne for å feste den rette føringen på riktig sted.

3. Når du skjærer, må du bevege verktøyet med den rette føringen i flukt med siden på arbeidsemnet.

Hvis avstanden mellom siden av arbeidsemnet og skjæreposisjonen er for stor for den rette føringen, eller hvis ikke siden av arbeidsemnet er rett, kan ikke den rette føringen brukes. I slike tilfeller må du klemme fast en rett planke til arbeidsemnet og bruke denne som føring mot foten på håndoverfresen. Mat verktøyet i pilens retning.

► **Fig.49**

Malføring

Valgfritt tilbehør

Malføringen har en hylse som tilskjæringsbitset går igjennom. Dette gjør det mulig å bruke tilskjæringsmaskinen med malmønster.

► **Fig.50**

1. Løsne skruene på verktøyfoten, sett inn malføringen, og stram skruene.

► **Fig.51:** 1. Skruer 2. Fot 3. Malføring

2. Fest malen på arbeidsemnet. Plasser verktøyet på malen og skyv verktøyet med malføringen langs siden på malen.

► **Fig.52:** 1. Tilskjæringsbits 2. Ramme
3. Fotbeskyttelse 4. Templet
5. Arbeidsemne 6. Templetføring

MERK: Arbeidsemnet skjæres i litt forskjellig størrelse i forhold til templet. Tillatt avstand på (X) mellom tilskjæringsmaskinen og utsiden av templetføring. Avstanden (X) kan kalkuleres med følgende ligning:

Avstand (X) = (utvendig diameter på templetføring - tilskjæringsbitsdiameter) / 2

Støvmunnstykksett

Bruk støvmunnstykket til støvsuging.

For foten

Monter støvmunnstykket på verktøyfoten med fingerskruen.

► **Fig.53:** 1. Støvmunnstykke 2. Fingerskrue 3. Fot

For senkefoten

Valgfritt tilbehør

1. Monter støvmunnstykket på senkefoten med fingerskruen, slik at fremspringet på støvmunnstykket passer i hakket i senkefoten.

► **Fig.54:** 1. Støvmunnstykke 2. Fingerskrue
3. Senkefot

2. Koble en støvsuger til støvmunnstykket.

► **Fig.55**

VEDLIKEHOLD

⚠FORSIKTIG: Forviss deg alltid om at maskinen er slått av og støpselet trukket ut av kontakten før du foretar inspeksjon eller vedlikehold.

OBS: Aldri bruk gasolin, bensin, tynner alkohol eller lignende. Det kan føre til misfarging, deformering eller sprekkdannelse.

For å opprettholde produktets SIKKERHET og PÅLITELIGHET, må reparasjoner, vedlikehold og justeringer utføres av autoriserte Makita servicesentre eller fabrikkerservicesentre, og det må alltid brukes reservedeler fra Makita.

Skifte kullbørster

► **Fig.56:** 1. utskiftingsmerke

Kontroller kullbørstene med jevne mellomrom. Bytt dem når de er slitt ned til utskiftingsmerket. Hold kullbørstene rene og fri til å bevege seg i holderne. Begge kullbørstene må skiftes samtidig. Bruk bare identiske kullbørster.

1. Bruk en skrutebrett til å fjerne børsteholderhettene.

2. Ta ut de slitte kullbørstene, sett i nye, og fest børsteholderhettene.

► **Fig.57:** 1. Børsteholderhette

VALGFRITT TILBEHØR

⚠FORSIKTIG: Det anbefales at du bruker dette tilbehøret eller verktøyet sammen med den Makita-maskinen som er spesifisert i denne håndboken. Bruk av annet tilbehør eller verktøy kan forårsake personskader. Tilbehør og verktøy må kun brukes til det formålet det er beregnet på.

Ta kontakt med ditt lokale Makita-servicesenter hvis du trenger mer informasjon om dette tilbehøret.

- Rette og sporformede bits
- Kantformende bits
- Laminatskjærebiter
- Enhet for rett føring
- Føringseenhet for tilskjæringsmaskin
- Fotenhet (harpiks)
- Vippefotenhet
- Senkefotenhet
- Forskjøvet fot-enhet
- Malføring
- Patronkonus
- Skrunøkkel
- Støvmunnstykke
- Føringsskinne
- Føringsskinneadaptersett
- Rett føring med mikrojustering
- Støttehåndtak
- Håndtakfeste

MERK: Enkelte elementer i listen kan være inkludert som standardtilbehør i verktøypakken. Elementene kan variere fra land til land.

Tilskjæringsmaskinbits

Rette bits

► **Fig.58**

D	A	L1	L2
6	20	50	15
1/4"			
8	8	60	25
6		50	18
1/4"	6	50	18
6			
1/4"			

Enhet:mm

U-sporbits

► **Fig.59**

D	A	L1	L2	R
6	6	60	28	3
1/4"				

Enhet:mm

V-sporbits**► Fig.60**

D	A	L1	L2	θ
1/4"	20	50	15	90°

Enhet:mm

Utjevningsskjærbits for borspiss**► Fig.61**

D	A	L1	L2	L3
8	8	60	20	35
6	6	60	18	28
1/4"				

Enhet:mm

Dobbelt utjevningsskjærbits for borspiss**► Fig.62**

D	A	L1	L2	L3	L4
8	8	80	95	20	25
6	6	70	40	12	14
1/4"					

Enhet:mm

Hjørnefresbits**► Fig.63**

D	A1	A2	L1	L2	L3	R
6	25	9	48	13	5	8
1/4"						
6	20	8	45	10	4	4
1/4"						

Enhet:mm

Skråfasebits**► Fig.64**

D	A	L1	L2	L3	θ
6	23	46	11	6	30°
6	20	50	13	5	45°
6	20	49	14	2	60°

Enhet:mm

Rund pregingsbits**► Fig.65**

D	A	L1	L2	R
6	20	43	8	4
6	25	48	13	8

Enhet:mm

Utjevningsskjærbits for kulelager**► Fig.66**

D	A	L1	L2
6	10	50	20
1/4"			

Enhet:mm

Hjørnefresbits for kulelager**► Fig.67**

D	A1	A2	L1	L2	L3	R
6	15	8	37	7	3,5	3
6	21	8	40	10	3,5	6
1/4"	21	8	40	10	3,5	6

Enhet:mm

Skråfasebits for kulelager**► Fig.68**

D	A1	A2	L1	L2	θ
6	26	8	42	12	45°
1/4"					
6	20	8	41	11	60°

Enhet:mm

Pregingsbits for kulelager**► Fig.69**

D	A1	A2	A3	L1	L2	L3	R
6	20	12	8	40	10	5,5	4
6	26	12	8	42	12	4,5	7

Enhet:mm

Rundt pregingsbits for kulelager**► Fig.70**

D	A1	A2	A3	A4	L1	L2	L3	R
6	20	18	12	8	40	10	5,5	3
6	26	22	12	8	42	12	5	5

Enhet:mm

Romersk karniss-bits for kulelager**► Fig.71**

D	A1	A2	L1	L2	L3	R1	R2
6	20	8	40	10	4,5	2,5	4,5
6	26	8	42	12	4,5	3	6

Enhet:mm

TEKNISET TIEDOT

Malli:	RT0702C
Kiristysholkin kapasiteetti	6 mm, 8 mm tai 1/4"
Kuormittamaton kierrosnopeus	10 000–34 000 min ⁻¹
Koko korkeus	210 mm
Nettopaino	1,8–2,8 kg
Suojausluokka	□/

- Jatkuvasta tutkimus- ja kehitystyöstämme johtuen esitetyt tekniset tiedot saattavat muuttua ilman erillistä ilmoitusta.
- Tekniset tiedot voivat vaihdella maittain.
- Paino voi olla erilainen lisävarusteista johtuen. EPTA-menettelytavan 01/2014 mukaisesti, taulukossa on kuvattu kevyin ja painavin laiteyhdistelmä.

Käyttötarkoitus

Työkalu on tarkoitettu puun, muovin ja vastaavien materiaalien tasojyrsintään ja profilointiin.

Virtalähde

Koneen saa kytkeä vain sellaiseen virtalähteeseen, jonka jännite on sama kuin arvokilvessä ilmoitettu, ja sitä saa käyttää ainoastaan yksivaiheisella vaihtovirralla. Laite on kaksinkertaisesti suojaeristetty ja siksi se voidaan kytkeä myös maadoittamattomaan pistorasiaan.

Melutaso

Tyypillinen A-painotettu melutaso määräytyy standardin EN62841-2-17 mukaan:

Äänenpainetaso (L_{pA}) : 82 dB (A)

Äänen voiman taso (L_{WA}) : 93 dB (A)

Virhemarginaali (K): 3 dB (A)

HUOMAA: Ilmoitetut melutasoarvot on mitattu standarditestausmenetelmän mukaisesti ja niiden avulla voidaan vertailla työkaluja keskenään.

HUOMAA: Ilmoitettuja melutasoarvoja voidaan käyttää myös altistumisen alustavaan arviointiin.

VAROITUS: Käytä kuulosuojaimia.

VAROITUS: Sähkötyökalun käytön aikana mitattu melutasoarvo voi poiketa ilmoitetuista arvoista laitteen käyttötavan ja erityisesti käsiteltävän työkappaleen mukaan.

VAROITUS: Selvitä käyttäjän suojaamiseksi tarvittavat varoimet todellisissa käyttöolosuhteissa tapahtuvan arvioitun altistumisen mukaisesti (ottaen huomioon käyttöjako kokonaisuudessaan, myös jaksot, joiden aikana laite on sammutettuna tai käy tyhjäkäynnillä).

Tärinä

Kokonaistärinä (kolmen akselin vektorien summa) määräytyy standardin EN62841-2-17 mukaan:

Työtila: pyöriminen ilman kuormaa

Tärinäpäästö (a_h) : 2,5 m/s² tai alhaisempi

Virhemarginaali (K): 1,5 m/s²

HUOMAA: Ilmoitetut kokonaistärinäarvot on mitattu standarditestausmenetelmän mukaisesti ja niiden avulla voidaan vertailla työkaluja keskenään.

HUOMAA: Ilmoitettuja kokonaistärinäarvoja voidaan käyttää myös altistumisen alustavaan arviointiin.

VAROITUS: Sähkötyökalun käytön aikana mitattu todellinen tärinäpäästöarvo voi poiketa ilmoitetuista arvoista laitteen käyttötavan ja erityisesti käsiteltävän työkappaleen mukaan.

VAROITUS: Selvitä käyttäjän suojaamiseksi tarvittavat varoimet todellisissa käyttöolosuhteissa tapahtuvan arvioitun altistumisen mukaisesti (ottaen huomioon käyttöjako kokonaisuudessaan, myös jaksot, joiden aikana laite on sammutettuna tai käy tyhjäkäynnillä).

EY-vaatimustenmukaisuusvakuutus

Koskee vain Euroopan maita

EY-vaatimustenmukaisuusvakuutus on liitetty tähän käyttöoppaaseen.

TURVAVAROITUKSET

Sähkötyökalujen käyttöä koskevat yleiset varoitukset

VAROITUS: Tutustu kaikkiin tämän sähkötyökalun mukana toimitettuihin varoituksiin, ohjeisiin, kuviin ja teknisiin tietoihin. Seuraavassa lueteltujen ohjeiden noudattamatta jättäminen saattaa johtaa sähköiskuun, tulipaloon tai vakavaan vammautumiseen.

Säilytä varoitukset ja ohjeet tulevaa käyttöä varten.

Varoituksissa käytettävällä termillä "sähkötyökalu" tarkoitetaan joko verkkovirtaa käyttävää (johdollista) työkalua tai akkukäyttöistä (johdotonta) työkalua.

Jyrsimen turvaohjeet

- Pitele sähkötyökalua vain sen eristetyistä tartuntapinnoista, sillä leikkuri saattaa osua laitteeseen omaan virtajohtoon.** Jos osut jännitteeseen johtoon, jännite voi siirtyä sähkötyökalun sähköä johtaviin metalliosiin ja aiheuttaa käyttäjälle sähköiskun.
- Kiinnitä ja tue työkappale tukevalle alustalle puristimilla tai muulla käytännöllisellä tavalla.** Työkappaleen piteleminen käsin tai vartaloa vasten ei tue työkappaletta riittävästi ja voi johtaa hallinnan menetykseen.
- Jyrsinkärjen karan on oltava käytetyn kiristys-holkin mukainen.**
- Käytä vain jyrsinkärkeä, jonka nimellisoikeus on vähintään yhtä suuri kuin työkaluun merkitty enimmäisnopeus.**
- Käytä kuulosuojaimia, jos käytät laitetta pitkään yhtäjaksoisesti.**
- Käsittele jyrsinteriä hyvin huolellisesti.**
- Tarkasta, ettei jyrsinkärjessä ole halkeamia tai vikoja, ennen kuin aloitat työskentelyn.** Vaihda halkeileva tai muuten vahingoittunut kärki heti uuteen.
- Vältä naulojen sahaamista.** Tarkasta työkappale ja poista kaikki naulat ennen työstöä.
- Ota koneesta luja ote.**
- Pidä kädet loitolla pyörivistä osista.**
- Varmista, ettei jyrsinkärki kosketa työkappaletta, ennen kuin kytkin käännetään päälle.**
- Anna koneen käydä jonkin aikaa, ennen kuin alat työstää työkappaletta.** Jos jyrsinkärki pyöri epäsaaisesti tai täristen, se voi olla väärin asennettu.
- Ole huolellinen jyrsinkärjen pyörimissuunnan ja syötteen suunnan suhteen.**
- Älä jätä työkalua käymään itsekseen.** Käytä työkalua vain silloin, kun pidät sitä kädessä.
- Sammuta aina laite ja odota, kunnes jyrsinkärki on täysin pysähtynyt ennen työkalun poistamista työkappaleesta.**
- Älä kosketa jyrsintä välittömästi käytön jälkeen, sillä se saattaa olla erittäin kuuma ja polttaa ihoasi.**
- Älä tahraa pohjaa huolimattomasti tinnerillä, bensiinillä, öljyllä tai vastaavalla.** Ne voivat aiheuttaa halkeamia pohjaan.
- Jotkin materiaalit sisältävät kemikaaleja, jotka voivat olla myrkyllisiä.** Huolehdi, että pölyn sisäänhengittämistä ja inhoksetusta vältetään. Noudata materiaalin toimittajan turvaohjeita.
- Käytä aina työstettävän materiaalin ja käyttötarkoituksen mukaan valittua pölynaamaria/hengityssuojainta.**
- Aseta työkalu tasaiselle alustalle.** Muutoin seurauksena voi olla putoamisesta johtuvia henkilövammoja.

SÄILYTÄ NÄMÄ OHJEET.

VAROITUS: ÄLÄ anna työkalun helppokäyttöisyyden (toistuvan käytön aikaansaama) johtaa sinua väärään turvallisuuden tunteeseen niin, että laiminlyöt työkalun turvaohjeiden noudattamisen. **VÄÄRINKÄYTTÖ** tai tässä käyttöohjeessa ilmoitettujen turvamääräysten laiminlyönti voi aiheuttaa vakavia henkilövahinkoja.

TOIMINTOJEN KUVAUS

HUOMIO: Varmista aina ennen koneen säätöjen ja toiminnallisten tarkistusten tekemistä, että kone on sammutettu ja irrotettu pistorasiasta.

Jyrsinkärjen ulkonema säätö

Säädä kärjen ulkonema avaamalla ensin lukitusvipu ja siirtämällä sitten alustaa ylös tai alas säätöruuvia kääntämällä. Kun olet tehnyt säädön, kiinnitä alusta paikalleen sulkeamalla lukitusvipu pitävästi.

- **Kuva1:** 1. Alusta 2. Asteikko 3. Kärjen ulkonema 4. Lukitusvipu 5. Säätöruuvi 6. Kuusiomutteri

HUOMAA: Jos työkalu ei lukitu paikalleen, vaikka lukitusvipu on suljettu, kiristä ensin kuusiomutteri ja sulje sitten lukitusvipu uudelleen.

Kytkimen käyttäminen

HUOMIO: Tarkasta aina, että työkalun virtakytkin ei ole päällä, ennen kuin kytket työkalun verkkovirtaan.

Työkalu käynnistetään painamalla kytkimen I-puolta. Työkalu pysäytetään painamalla kytkimen O-puolta.

- **Kuva2:** 1. Kytkin

Sähköinen toiminta

Laite on varustettu sähköisillä toimintoilla helppokäyttöisyyttä ajatellen.

Merkkivalo

- **Kuva3:** 1. Merkkivalo

Vihreä merkkivalo syttyy, kun työkalu liitetään virransyöttöön. Jos merkkivalo ei syty, päivävirtajohto tai ohjain saattaa olla vahingoittunut. Merkkivalo palaa, mutta työkalu ei käynnisty silloinkaan, kun työkalu käynnistetään, hiiliharjat saattavat olla kuluneet tai ohjain, moottori tai ON/OFF-kytkin saattaa olla vaurioitunut.

Tahattoman uudelleenkäynnistykseen esto

Työkalu ei käynnisty, kun kytkimen I-puoli on painetuna, vaikka työkalun virtajohto olisi kytketty.

Tällöin merkkivalo vilkkuu punaisena, mikä ilmaisee, että tahattoman uudelleenkäynnistykseen estolaite on toiminnassa.

Tahaton uudelleenkäynnistykseen eston voi peruuttaa painamalla kytkimen O-puolta.

Pehmeä käynnistys

Pehmeä käynnistys-ominaisuus minimoi käynnistysiskun ja näin työkalu käynnistyy tasaisesti.

Vakionopeuden säätö

Sähköinen nopeudensäätö vakionopeuden ylläpitämistä varten.

Helpottaa viimeistelyyn lopputuloksen saavuttamista, koska pyörimisnopeus pysyy vakiona jopa kuormituksessa.

Nopeudensäätörengas

VAROITUS: Älä käytä nopeudensäätörengasta käytön aikana. Jyrsinkärki saattaa muutoin koskettaa käyttäjää reaktiivoiman takia. Se voi aiheuttaa henkilövahinkoja.

HUOMIO: Jos työkalua käytetään pitkään alhaisilla nopeuksilla, moottori ylikuormittuu aiheuttaen työkaluun toimintahäiriön.

HUOMIO: Nopeudensäätörengasta voi kääntää vain numeroon 6 saakka ja takaisin numeroon 1. Älä pakota sitä numeroiden 6 tai 1 yli, sillä se voi rikkoa nopeudensäätötoiminnon.

Työkalun nopeutta voi muuttaa kääntämällä nopeudensäätörengaan valittuun numeroon 1–6.

► **Kuva4:** 1. Nopeudensäätörengas

Nopeus on sitä suurempi mitä suurempi nopeudensäätörengaan asetus on valittuna, suurin arvo on 6. Työkalun nopeus on sitä pienempi mitä pienempi numero on valittuna, pienin arvo on 1.

Nopeus voidaan näin säätää optimaaliseksi käsiteltävän materiaalin ja käytettävän kärjen halkaisijan mukaan.

Oheisessa taulukossa on esitetty säätörengaan numeroiden suhde työkalun likimääräisiin käyntinopeuksiin.

Numero	min ⁻¹
1	10 000
2	12 000
3	17 000
4	22 000
5	27 000
6	34 000

KOKOONPANO

HUOMIO: Varmista aina ennen koneelle tehtäviä toimenpiteitä, että kone on sammutettu ja irrotettu pistorasiasta.

Jyrsinkärjen kiinnitys ja irrotus

HUOMIO: Älä kiristä kiristysholkin mutteria jyrsinkärkeä kiinnittämättä, sillä muutoin kiristysholkin kartio rikkoutuu.

HUOMIO: Käytä ainoastaan työkalun mukana toimitettuja kiintoavaimia.

Jyrsinkärjen voi asentaa kahdella eri tavalla. Käytä jompaa kumpaa tapaa.

Kahden kiintoavaimen käyttö

Aseta jyrsinkärki niin syväle kiristysholkin kartioon kuin se menee ja kiristä kiristysholkin mutteri tiukasti kiinni kiintoavaimella painamalla samalla holkin kaulaa paikallaan toisella kiintoavaimella.

► **Kuva5:** 1. Kiristys 2. Löysäys 3. Kaula 4. Kiristysholkin mutteri

Yhden kiintoavaimen käyttö

Aseta jyrsinkärki niin syväle kiristysholkin kartioon kuin se menee ja kiristä kiristysholkin mutteri tiukasti kiinni kiintoavaimella painamalla samalla holkin akselilukkoa.

► **Kuva6:** 1. Kiristys 2. Löysäys 3. Akselilukko 4. Kiristysholkin mutteri

Irrota jyrsinkärki päinvastaisessa järjestyksessä.

Kiristysholkin kartion vaihtaminen

HUOMIO: Käytä oikean kokoista kiristysholkin kartiota käytettävän jyrsinkärjen mukaan.

HUOMIO: Älä kiristä kiristysholkin mutteria, jos jyrsinkärki ei ole paikallaan, sillä tällöin kiristysholkin kartio saattaa rikkoutua.

1. Löysää kiristysholkin mutteria ja irrota osat.
 2. Vaihda irrotetun kiristysholkin kartion tilalle haluumasi kiristysholkin kartio.
 3. Asenna kiristysholkin mutteri takaisin paikalleen.
- **Kuva7:** 1. Kiristysholkin kartio 2. Kiristysholkin mutteri

TYÖSKENTELY

HUOMIO: Ota työkalusta aina tukeva ote toinen käsi rungossa. Älä koske metalliseen osaan.

Alustan käyttö

VAROITUS: Ennen kuin käytät työkalua alustan kanssa, muista aina kiinnittää pölysuutin alustaan.

► **Kuva8:** 1. Pölysuutin 2. Siipiruuvi 3. Alusta

1. Aseta alusta leikattavan työkappaleen päälle niin, ettei jyrsinkärki kosketa työkaluun.
2. Käynnistä sitten työkalu ja odota, kunnes jyrsinkärki saavuttaa täyden nopeuden.

3. Liikuta työkalua työkappaleen pinnalla tasaisesti eteenpäin pitämällä alustaa pinnan tasassa ja etene-mällä tasaisesti, kunnes leikkaus on valmis.

► Kuva9

Kun leikkaat reunoja, työkappaleen pinnan tulisi olla jyrsinkärjen syöttösuuntaan nähden vasemmalla puolella.

► **Kuva10:** 1. Työkappale 2. Kärjen pyörimis-suunta 3. Näkymä työkalun päältä
4. Syöttösuunta

Varmista suoraohjainta tai jyrsinohjainta käyttäessäsi, että se on syöttösuunnassa oikealla puolella. Tämä auttaa pitämään sitä samassa tasossa työkappaleen sivun kanssa.

► **Kuva11:** 1. Syöttösuunta 2. Kärjen pyörimissuunta 3. Työkappale 4. Suoraohjain

HUOMAA: Työkalun liian nopea kuljettaminen eteenpäin voi aiheuttaa huononlaatuisen leikkauksen, tai vahingoittaa jyrsinkärkeä tai moottoria. Työkalun liian hidas liikuttaminen eteenpäin voi polttaa ja pilata leikkauksen. Sopiva syöttöaste riippuu kärjen koosta, työkappaleen tyypistä ja leikkauksen syvyydestä. Ennen varsinaista työkappaleen työstämistä, on suositeltua tehdä koeleikkaus lankunpalaseen. Tämän avulla näet tarkalleen millä leikkaus näyttää ja voit myös tarkastaa mittasuhteet.

▲HUOMIO: Koska liiallinen leikkaus voi ylikuormittaa moottoria tai aiheuttaa vaikeuksia työkalun hallinnassa, uria leikkattaessa kertaleikkauksen syvyys ei saisi olla yli 3 mm. Kun haluat leikata yli 3 mm:n uria, tee leikkaus useita kertoja kasvattamalla jyrsinkärjen leikkaussyvyyyttä kullakin leikkaukserralla.

Alusta (hartsinen)

Lisävaruste

Voit käyttää (hartsista) alustaa valinnaisena lisävarusteena kuvan mukaisesti.

► **Kuva12:** 1. Kiristysruuvi

Aseta työkalu (hartsiseen) alustaan ja kiristä se paikalleen kiristysruuvilla, kun jyrsinkärjen ulkonema on haluamasi.

Toimenpiteet on kuvattu alustan käyttöohjeissa.

Mallilankun ohjain

Lisävaruste

Mallilankun ohjain tarjoaa holkin, jonka kautta jyrsinkärki kulkee, sallien jyrsimen käytön mallikaavan mukaan.

► **Kuva13**

1. Löysennä ruuvit ja poista pohjan suojus.

► **Kuva14:** 1. Pohjan suojus 2. Ruuvit

2. Kiinnitä mallilankun ohjain pohjaan ja aseta pohjan suojus uudelleen. Varmista sitten pohjan suojuksen kiinnitys kiristämällä ruuvit.

3. Varmista mallilankun kiinnitys työkappaleeseen. Aseta työkalu mallilankun päälle ja liikuta työkalua siten, että mallilankun ohjain liukuu mallilankun sivua pitkin.

► **Kuva15:** 1. Jyrsinkärki 2. Alusta 3. Pohjan suojus 4. Mallilankku 5. Työkappale 6. Mallilankun ohjain

HUOMAA: Työkappale leikataan hieman eri kokoiseksi, kuin mallilankku. Jätä jyrsinkärjen ja mallilankun ohjaimen väliin etäisyys (X). Etäisyys (X) voidaan laskea seuraavaa yhtälöä käyttäen:

Etäisyys (X) = (mallilankun ohjaimen ulkohalkaisija - jyrsinkärjen halkaisija) / 2

Suoraohjain

Lisävaruste

Suoraohjaimen avulla suorat leikkaukset onnistuvat tehokkaasti viiste- ja uraleikkauksissa.

► **Kuva16**

1. Kiinnitä ohjauslevy suora-ohjaimen putilla ja siipimutterilla.

► **Kuva17:** 1. Pultti 2. Ohjainlevy 3. Suoraohjain 4. Siipimutteri

2. Kiinnitä suoraohjainasetelma kiristysruuvilla.

► **Kuva18:** 1. Kiristysruuvi 2. Suoraohjain 3. Siipimutteri 4. Alusta

3. Löysää suoraohjaimessa oleva siipimutteri ja säädä jyrsinkärjen ja suoraohjaimen välinen etäisyys. Kun etäisyys on sopiva, kiristä siipimutteri tiukasti.

4. Liikuta työkalua leikatessa siten, että suoraohjain on samassa tasossa työkalun sivun kanssa.

Jos työkappaleen reunan ja leikkauksen välinen etäisyys on liian suuri suoraohjaimelle tai jos työkappaleen reuna ei ole suora, suoraohjainta ei voi käyttää. Kiristä tässä tapauksessa suora lauta tiukasti kiinni työkappaleeseen ja käytä sitä ohjaimena jyrsimen alustaa vasten. Liikuta työkalua nuolen osoittamaan suuntaan.

► **Kuva19**

Ympyränmuotoinen työ

Ympyränmuotoisen työn leikkaaminen onnistuu kokoomalla suoraohjain ja ohjauslevy kuvien osoittamalla tavalla.

Leikattavien ympyröiden vähimmäis- ja enimmäissäteet (etäisyys ympyrän keskeltä jyrsinkärjen keskusta) ovat seuraavat:

Väh.: 70 mm

Enint.: 221 mm

Säteeltään 70 mm:n – 121 mm:n ympyröiden leikkaus

► **Kuva20:** 1. Siipimutteri 2. Ohjainlevy 3. Suoraohjain 4. Keskireikä 5. Pultti

Säteeltään 121 mm:n – 221 mm:n ympyröiden leikkaus

► **Kuva21:** 1. Siipimutteri 2. Ohjainlevy 3. Suoraohjain 4. Keskireikä 5. Pultti

HUOMAA: Tätä ohjainta käyttämällä ei voida leikata säteeltään 172 mm:n – 186 mm:n ympyröitä.

1. Kohdista suoraohjaimen keskireikä leikattavan ympyrän keskiasiaan kanssa.

► **Kuva22:** 1. Naula 2. Keskireikä 3. Suoraohjain

2. Kiinnitä suoraohjain paikalleen iskemällä halkaisijaltaan alle 6 mm:n naula keskireikään.

3. Käännä työkalu naulan ympäri myötäpäivään.

Jyrsinohjain

Lisävaruste

Trimmausleikkaukset, huonekalujen vanereihin kaarevat leikkauksen ja vastaavat voidaan tehdä helposti jyrsinohjaimella. Ohjaimen tela ajaa kaaria ja takaa siistin leikkauksen.

► Kuva23

1. Kiinnitä jyrsinohjain ja ohjaimen pidin alustaan kiristysruuvilla (A).
2. Löysää kiristysruuvia (B) ja säädä jyrsinkärjen ja jyrsinohjaimen välistä etäisyyttä säätöruuvia kiertämällä (1 mm per kierros). Kun etäisyys on sopiva, kiinnitä jyrsinohjain paikalleen kiristämällä kiristysruuvia (B).
► **Kuva24:** 1. Säätöruuvi 2. Ohjaimen pidin 3. Jyrsinohjain
3. Liikuta työkalua leikatessa siten, että ohjaimen tela etenee työkalun sivulla.
► **Kuva25:** 1. Työkappale 2. Jyrsinkärki 3. Ohjaintela

Kallistuslusta

Lisävaruste

Kallistuslusta käytetään laminoitujen levyjen tai vastaavien materiaalien reunojen viimeistelyyn. Kallistuslusta on kätevä viisteleikkauksissa.

1. Aseta työkalu kallistuslusta, löysää kiristysruuvia ja kallista sitten työkalu haluamaasi kulmaan.
2. Säädä jyrsinkärjen ulkonema haluamaksesi, sulje sitten lukitusvipu ja kiristä kiristysruuvit, kun kulma on haluamasi.
3. Kiinnitä suora lauta pitävästi työkappaleeseen ja käytä sitä ohjaimena kallistuslusta vasten. Liikuta työkalua nuolen osoittamaan suuntaan.
► **Kuva26:** 1. Kiristysruuvi 2. Lukitusvipu

Kallistuslustan suojuksen käyttö alustan kanssa

Kallistuslustan suojuksen (neliökappaleen) voi poistaa kallistuslustasta ja kiinnittää alustaan. Alustan suojuksen voi muuttaa pyöreästä neliömäiseksi.

1. Irrota kallistuslustan suojuksen kallistuslustasta avaamalla ja irrottamalla neljä ruuvia.
2. Asenna kallistuslustan suojuksen alustaan.
► **Kuva27:** 1. Kallistuslustan suojuksen 2. Ruuvi

Epäkeskoalusta

Lisävaruste

Epäkeskoalusta on tarkoitettu laminoitujen levyjen tai vastaavien materiaalien reunojen viimeistelyyn. Epäkeskoalusta on kätevä ahtaissa paikoissa työskennellessä.

► Kuva28

Työkalun käyttö epäkeskoalustan kanssa

1. Ennen kuin asennat työkalun epäkeskoalustaan, irrota kiristysholkki ja sen kartio löysäämällä kiristysholkin mutteria.
► **Kuva29:** 1. Hihnapyörä 2. Kiristysholkin mutteri 3. Kiristysholkin kartio

2. Asenna hihnapyörä työkaluun painamalla akselilukkoa ja kiristämällä hihnapyörä pitävästi kiintoavaimella.

► Kuva30:

1. Kiintoavain 2. Hihnapyörä 3. Akselilukko

3. Aseta kiristysholkin kartio ja kiristysholkin mutteri paikalleen epäkeskoalustaan kuvassa esitetyllä tavalla.

► Kuva31:

1. Kiristysholkin mutteri 2. Kiristysholkin kartio

4. Asenna epäkeskoalusta työkaluun.

► Kuva32

5. Aseta hihna hihnapyörälle ruuvitalan avulla ja varmista, että hihna asettuu hihnapyörän päälle koko leveydeltään.

► Kuva33:

1. Hihnapyörä 2. Hihna

6. Sulje lukitusvipu.

► Kuva34:

1. Lukitusvipu

7. Asenna jyrsinkärki seuraavasti.

Laske työkalu ja epäkeskoalusta alas. Aseta kuusiokoloavain epäkeskoalustassa olevaan aukkoon.

Pidä kuusiokoloavainta paikallaan kuvan mukaisesti, aseta jyrsinkärki epäkeskoalustan akselilla olevaan kiristysholkin kartioon vastakkaiselta puolelta ja kiristä kiristysholkin mutteri pitäväksi kiintoavaimella.

► Kuva35:

1. Kiintoavain 2. Kuusiokoloavain

3. Jyrsinkärki

8. Irrota jyrsinkärki päivittäisessä järjestyksessä.

Alustan käyttö epäkeskoalustan levyjen ja lisävarustekahvan kanssa

Epäkeskoalustaa voi käyttää myös alustan ja lisävarustekahvan (valinnainen lisävaruste) kanssa antamaan lisävakautta.

► Kuva36

1. Löysää ruuvia ja irrota epäkeskoalustan yläosa. Aseta epäkeskoalustan yläosa sivuun.

► Kuva37:

1. Ruuvit 2. Epäkeskoalustan levy

3. Epäkeskoalustan yläosa

2. Kiinnitä epäkeskoalustan levy neljällä ruuvilla ja lisävarustekahva kahdella ruuvilla epäkeskoalustan levyyn. Ruuvaa tankotyypinen kahva (valinnainen lisävaruste) lisävarustekahvaan. Voit käyttää lisävarustekahvaa myös asentamalla siihen yläjyrsinalustasta (valinnainen lisävaruste) irrotetun nuppityyppisen kahvan. Asenna nuppityyppinen kahva asettamalla se lisävarustekahvaan ja kiinnittämällä se paikalleen ruuvilla.

Käyttö tankotyypisen kahvan kanssa

- **Kuva38:** 1. Tankotyypinen kahva
2. Lisävarustekahva 3. Epäkeskoalustan levy

Käyttö nuppityyppisen kahvan kanssa

- **Kuva39:** 1. Ruuvi 2. Nuppityyppinen kahva
3. Lisävarustekahva

Laitteen käyttö yläjyrsinalustalla

Lisävaruste

⚠HUOMIO: Jos käytät työkalua yläjyrsimenä, pidä työkalusta tukevasti kiinni kaksi käsin.

1. Jos haluat käyttää työkalua yläjyrsimenä, asenna työkalu yläjyrsinalustaan (valinnainen lisävaruste) ja

paina työkalu täysin alustan sisään. Voit käyttää tarpeen mukaan joko tanko- tai nuppityyppistä kahvaa (valinnaisia lisävarusteita).

► **Kuva1:** 1. Yläjyrksinalusta 2. Tankotyyppinen kahva

2. Jos haluat käyttää tankotyyppistä kahvaa (valinnainen lisävaruste), löysää nuppityyppisen kahvan ruuvi ja irrota kahva.

► **Kuva41:** 1. Ruuvi 2. Nuppityyppinen kahva

3. Ruuvaa tankotyyppinen kahva paikalleen alustaan.

► **Kuva42:** 1. Tankotyyppinen kahva

Leikkaussyvyyden säätäminen yläjyrksinalustaa (valinnainen lisävaruste) käytettäessä

▲HUOMIO: Pidä työkalusta aina kiinni tukevasti molemmilla käsillä käytön aikana.

► **Kuva43:** 1. Säätonuppi 2. Lukitusvipu
3. Syvyydenosoitin 4. Rajoitintapin säätomutteri 5. Pikasyöttöpainike
6. Rajoitintappi 7. Pysäytinlohko
8. Säättökuusiopultti

1. Aseta työkalu tasaiselle pinnalle. Löysää lukkovipua ja laske työkalun runkoa, kunnes jyrksinkärki koskettaa tasaista pintaa. Lukitse työkalun runko kiristämällä lukkovipua.

2. Käännä rajoitintapin säätomutteria vastapäivään. Laske rajoitintappia, kunnes se koskettaa säättökuusiopulttia. Kohdista syvyydenosoitin asteikon kohtaan "0". Syvyydenosoitin näyttää leikkaussyvyyden mitta-asteikolla.

3. Paina pikasyöttöpainiketta ja nosta samalla rajoitintappia, kunnes haluttu leikkaussyvyys on saavutettu. Syvyyssäätöjä voi hienosäätää (1 mm täyttä kierrosta kohti) säätonuppia kääntämällä.

4. Voit kiinnittää rajoitintapin pitävästi kääntämällä rajoitintapin säätomutteria myötäpäivään.

5. Leikkauksen ennalta määrätty syvyys voidaan nyt asettaa löysäämällä lukitusvipua ja laskemalla sitten työkalun runkoa, kunnes rajoitintappi ottaa kiinni pysäytinlohkon säättökuusiopulttiin.

6. Aseta alusta leikattavan työkappaleen päälle niin, ettei jyrksinkärki kosketa työkappaletta.

7. Kiinnistä sitten työkalu ja odota, kunnes jyrksinkärki saavuttaa täyden nopeuden.

8. Laske työkalun runko ja liikuta työkalua eteenpäin työkappaleen pinnalla pitämällä alustaa pinnan tasassa ja etenemällä tasaisesti, kunnes leikkaus on valmis.

Kun leikkaat reunoja, työkappaleen pinnan tulisi olla jyrksinkärjen syöttösuuntaan nähden vasemmalla puolella.

► **Kuva44:** 1. Työkappale 2. Kärjen pyörimissuunta 3. Näkymä työkalun päältä
4. Syöttösuunta

Varmista suoraohjainta tai jyrksinkärjää käyttäessäsi, että se on syöttösuunnassa oikealla puolella. Tämä auttaa pitämään sen samassa tasossa työkappaleen reunan kanssa.

► **Kuva45:** 1. Syöttösuunta 2. Kärjen pyörimissuunta
3. Työkappale 4. Suoraohjain

HUOMAA: Työkalun liian nopea liikuttaminen eteenpäin voi aiheuttaa huonolaatuisen leikkauksen tai vahingoittaa jyrksinkärkää tai moottoria. Työkalun liian hidas liikuttaminen eteenpäin voi polttaa ja pilata leikkauksen. Sopiva syöttönopeus riippuu kärjen koosta, työkappaleen tyyppistä ja leikkaussyvyydestä. Ennen varsinaista työkappaleen työstämistä, on suositeltua tehdä koeleikkaus lankunpalaan. Tämän avulla näet tarkalleen miltä leikkaus näyttää ja voit myös tarkastaa mittasuhteet.

Suoraohjain ohjaimen pidintä varten

Lisävaruste

Suoraohjaimen avulla suorat leikkaukset onnistuvat tehokkaasti viiste- ja uraleikkauksissa.

► **Kuva46:** 1. Pultti 2. Ohjaimen pidin 3. Siipimutteri (A) 4. Pultti 5. Siipimutteri (B) 6. Ohjainlevy 7. Suoraohjain 8. Siipipultti

1. Asenna suoraohjain ohjaimen pitimeen (valinnainen lisävaruste) pulttia ja siipimutteria (A) käyttämällä.

2. Kiinnitä ohjaimen pidin yläjyrksinalustassa oleiviin aukkoihin ja kiristä siipipultit.

3. Jos haluat säätää jyrksinkärjen ja suoraohjaimen välistä etäisyyttä, löysää siipimutteria (B). Kun etäisyys on haluamasi, kiinnitä suoraohjain paikalleen kiristämällä siipimutteri (B).

Suoraohjain

Lisävaruste

Suoraohjaimen avulla suorat leikkaukset onnistuvat tehokkaasti viiste- ja uraleikkauksissa.

► **Kuva47**

1. Aseta ohjaustangot yläjyrksinalustan reikiin.

► **Kuva48:** 1. Ohjaustanko 2. Siipimutteri
3. Suoraohjain

2. Säädä jyrksinkärjen ja suoraohjaimen välinen etäisyys. Kun etäisyys on haluamasi, kiinnitä suoraohjain paikalleen kiristämällä siipimutterit.

3. Liikuta työkalua leikatessa siten, että suoraohjain on samassa tasossa työkalun sivun kanssa.

Jos työkappaleen reunan ja leikkauksen välinen etäisyys on liian suuri suoraohjaimelle tai jos työkappaleen reuna ei ole suora, suoraohjainta ei voi käyttää. Tässä tapauksessa purista suora lankku kiinni työkappaleeseen pitävästi ja käytä sitä ohjaimena yläjyrksinalustaa vasten. Liikuta työkalua nuolen osoittamaan suuntaan.

► **Kuva49**

Mallilankun ohjain

Lisävaruste

Mallilankun ohjain tarjoaa holkin, jonka kautta jyrksinkärki kulkee, sallien jyrksinkärjen käytön mallikaavan mukaan.

► **Kuva50**

1. Löysää työkalun alustan ruuvit, asenna mallilankun ohjain paikalleen ja kiristä sitten ruuvit.

► **Kuva51:** 1. Ruuvi 2. Alusta 3. Mallilankun ohjain

2. Varmista mallilankun kiinnitys työkappaleeseen. Aseta työkalu mallilankun päälle ja liikuta työkalua siten, että mallilankun ohjain liukuu mallilankun sivua pitkin.

- **Kuva52:** 1. Jyrsinkärki 2. Alusta 3. Alustan suojuus 4. Mallilankku 5. Työkappale 6. Mallilankun ohjain

HUOMAA: Työkappale leikataan hieman eri kokoiseksi, kuin mallilankku. Jätä jyrsinkärjen ja mallilankun ohjaimen väliin etäisyys (X). Etäisyys (X) voidaan laskea seuraavaa yhtälöä käyttäen:

Etäisyys (X) = (mallilankun ohjaimen ulkohalkaisija - jyrsinkärjen halkaisija) / 2

Pölysuutinsarjat

Pölysuutinta käytetään pölynpoistoon.

Alusta

Asenna pölysuutin työkalun alustaan siipiruuvia käyttämällä.

- **Kuva53:** 1. Pölysuutin 2. Siipiruuvi 3. Alusta

Yläjyrsinalusta

Lisävaruste

1. Kiinnitä pölysuutin yläjyrsinalustaan siipiruuvilla siten, että pölysuuttimessa oleva kieleke asettuu yläjyrsinalustassa olevaan koloon.

- **Kuva54:** 1. Pölysuutin 2. Siipiruuvi 3. Yläjyrsinalusta

2. Kytke pölynimuri pölysuuttimeen.

- **Kuva55**

KUNNOSSAPITO

▲HUOMIO: Varmista aina ennen tarkastuksia ja huoltotoimia, että työkalu on sammutettu ja irrotettu virtalähteestä.

HUOMAUTUS: Älä koskaan käytä bensiiniä, ohenteita, alkoholia tai tms. aineita. Muutoin pinta voi halkeilla tai sen värit ja muoto voivat muuttua. Muutoin laitteeseen voi tulla värjäytymiä, muodon vääristymiä tai halkeamia.

Tuotteen TURVALLISUUDEN ja LUOTETTAVUUDEN takaamiseksi korjaukset, muut huoltotyöt ja säädöt on teetettävä Makitan valtuutetussa huoltopisteessä Makitan varaosia käyttäen.

Hiiliharjojen vaihtaminen

- **Kuva56:** 1. Rajamerkki

Tarkista hiiliharjat säännöllisesti.

Vaihda ne, kun ne ovat kuluneet rajamerkkiin asti. Pidä hiiliharjat puhtaina ja varmista, että ne pääsevät liukumaan vapaasti pidikkeissään. Molemmat hiiliharjat on vaihdettava yhtä aikaa. Käytä vain identtisiä hiiliharjoja.

1. Irrota hiiliharjanpidikkeiden kuvat ruuvimeisselillä.

2. Irrota kuluneet hiiliharjat, asenna uudet ja kiinnitä pidikkeiden kuvat.

- **Kuva57:** 1. Hiiliharjan pidikkeen kupu

LISÄVARUSTEET

▲HUOMIO: Seuraavia lisävarusteita tai laitteita suositellaan käytettäväksi tässä ohjeessa kuvatun Makita-työkalun kanssa. Muiden lisävarusteiden tai laitteiden käyttö voi aiheuttaa henkilövahinkoja. Käytä lisävarusteita ja -laitteita vain niiden käyttötarkoituksen mukaisesti.

Jos tarvitset apua tai yksityiskohtaisempia tietoja seuraavista lisävarusteista, ota yhteys paikalliseen Makitan huoltoon.

- Suora- ja uramuototerät
- Reunanmuotoiluterät
- Viilujyrsinterät
- Suoraohjainasetelma
- Jyrsinohjainasetelma
- Alusta-asetelma (hartsinen)
- Kallistusalusta-asetelma
- Yläjyrsinalusta-asetelma
- Epäkeskoalusta-asetelma
- Mallilankun ohjain
- Kiristysholkin kartio
- Kiintoavain
- Pölysuutin
- Ohjaukisko
- Ohjaukiskon sovitinsarja
- Suoraohjain hienosäädöllä
- Sivukahva
- Lisävarustekahva

HUOMAA: Jotkin luettelossa mainitut varusteet voivat sisältyä työkalun toimitukseen vakiovarusteina. Ne voivat vaihdella maittain.

Jyrsinkärjet

Suora kärki

- **Kuva58**

D	A	L1	L2
6	20	50	15
1/4"			
8	8	60	25
6			
1/4"	6	50	18
6			
1/4"			

Yksikkö: mm

U-urituskärki

- **Kuva59**

D	A	L1	L2	R
6	6	60	28	3
1/4"				

Yksikkö: mm

V-urituskärki**► Kuva60**

D	A	L1	L2	θ
1/4"	20	50	15	90°

Yksikkö: mm

Porakärjen upottama jyrinkärki**► Kuva61**

D	A	L1	L2	L3
8	8	60	20	35
6	6	60	18	28
1/4"				

Yksikkö: mm

Porakärjen tuplasti upottava jyrinkärki**► Kuva62**

D	A	L1	L2	L3	L4
8	8	80	95	20	25
6	6	70	40	12	14
1/4"					

Yksikkö: mm

Kulmanpyöristyskärki**► Kuva63**

D	A1	A2	L1	L2	L3	R
6	25	9	48	13	5	8
1/4"						
6	20	8	45	10	4	4
1/4"						

Yksikkö: mm

Viistoamiskärki**► Kuva64**

D	A	L1	L2	L3	θ
6	23	46	11	6	30°
6	20	50	13	5	45°
6	20	49	14	2	60°

Yksikkö: mm

Kartiokäyräkärki**► Kuva65**

D	A	L1	L2	R
6	20	43	8	4
6	25	48	13	8

Yksikkö: mm

Kuulalaakerin upottava jyrinkärki**► Kuva66**

D	A	L1	L2
6	10	50	20
1/4"			

Yksikkö: mm

Kuulalaakerinen kulmanpyöristyskärki**► Kuva67**

D	A1	A2	L1	L2	L3	R
6	15	8	37	7	3,5	3
6	21	8	40	10	3,5	6
1/4"	21	8	40	10	3,5	6

Yksikkö: mm

Kuulalaakerinen viistoamiskärki**► Kuva68**

D	A1	A2	L1	L2	θ
6	26	8	42	12	45°
1/4"					
6	20	8	41	11	60°

Yksikkö: mm

Kuulalaakerinen käyräkärki**► Kuva69**

D	A1	A2	A3	L1	L2	L3	R
6	20	12	8	40	10	5,5	4
6	26	12	8	42	12	4,5	7

Yksikkö: mm

Kuulalaakerinen kartiokäyräkärki**► Kuva70**

D	A1	A2	A3	A4	L1	L2	L3	R
6	20	18	12	8	40	10	5,5	3
6	26	22	12	8	42	12	5	5

Yksikkö: mm

Kuulalaakerinen suippokaarikärki**► Kuva71**

D	A1	A2	L1	L2	L3	R1	R2
6	20	8	40	10	4,5	2,5	4,5
6	26	8	42	12	4,5	3	6

Yksikkö: mm

SPECIFIKATIONER

Model:	RT0702C
Kapacitet på indsatspatron	6 mm, 8 mm eller 1/4"
Hastighed uden belastning	10.000 - 34.000 min ⁻¹
Samlet højde	210 mm
Nettovægt	1,8 - 2,8 kg
Sikkerhedsklasse	□/II

- På grund af vores kontinuerlige forsknings- og udviklingsprogrammer kan hosstående specifikationer blive ændret uden varsel.
- Specifikationer kan variere fra land til land.
- Vægten kan være anderledes afhængigt af tilbehøret. Den letteste og tungeste kombination i henhold til EPTA-procedure 01/2014 er vist i tabellen.

Tilsigtet anvendelse

Maskinen er beregnet til plan tilskæring og afdrejning af træ, plastik og lignende materialer.

Strømforsyning

Maskinen må kun tilsluttes en strømforsyning med samme spænding som angivet på typeskiltet og kan kun anvendes på enfaset vekselstrømforsyning. Den er dobbeltisoleret og kan derfor også tilsluttes netstik uden jordforbindelse.

Støj

Det typiske A-vægtede støjniveau bestemt i overensstemmelse med EN62841-2-17:
 Lydtryksniveau (L_{PA}) : 82 dB (A)
 Lydeffektniveau (L_{WA}) : 93 dB (A)
 Usikkerhed (K): 3 dB (A)

BEMÆRK: De(n) angivne støjemissionsværdi(er) er målt i overensstemmelse med en standardtestmetode og kan anvendes til at sammenligne en maskine med en anden.

BEMÆRK: De(n) angivne støjemissionsværdi(er) kan også anvendes i en præliminær eksponeringsvurdering.

⚠ ADVARSEL: Bær høreværn.

⚠ ADVARSEL: Støjemissionen under den faktiske anvendelse af maskinen kan være forskellig fra de(n) angivne værdi(er), afhængigt af den måde hvorpå maskinen anvendes, især den type arbejdssemne der behandles.

⚠ ADVARSEL: Sørg for at identificere de sikkerhedsforskrifter til beskyttelse af operatøren, som er baseret på en vurdering af eksponering under de faktiske brugsforhold (med hensyntagen til alle dele i brugscyklussen, f.eks. de gange, hvor maskinen er slukket, og når den kører i tomgang i tilgift til afbrydertiden).

Vibration

Vibrationens totalværdi (tre-aksial vektorsum) bestemt i overensstemmelse med EN62841-2-17:
 Arbejdstilstand: rotation uden belastning
 Vibrationsemission (a_h): 2,5 m/s² eller mindre
 Usikkerhed (K): 1,5 m/s²

BEMÆRK: De(n) angivne totalværdi(er) for vibration er målt i overensstemmelse med en standardtestmetode og kan anvendes til at sammenligne en maskine med en anden.

BEMÆRK: De(n) angivne totalværdi(er) for vibration kan også anvendes i en præliminær eksponeringsvurdering.

⚠ ADVARSEL: Vibrationsemissionen under den faktiske anvendelse af maskinen kan være forskellig fra de(n) angivne værdi(er), afhængigt af den måde hvorpå maskinen anvendes, især den type arbejdssemne der behandles.

⚠ ADVARSEL: Sørg for at identificere de sikkerhedsforskrifter til beskyttelse af operatøren, som er baseret på en vurdering af eksponering under de faktiske brugsforhold (med hensyntagen til alle dele i brugscyklussen, f.eks. de gange, hvor maskinen er slukket, og når den kører i tomgang i tilgift til afbrydertiden).

EF-overensstemmelseserklæring

Kun for lande i Europa

EF-overensstemmelseserklæringen er inkluderet som Bilag A i denne brugsanvisning.

SIKKERHEDSADVARSLER

Almindelige sikkerhedsregler for el-værktøj

⚠ ADVARSEL: Læs alle de sikkerhedsadvarsler, instruktioner, illustrationer og specifikationer, der følger med denne maskine. Forsømmelse af at overholde alle nedenstående instruktioner kan medføre elektrisk stød, brand og/eller alvorlig personskade.

Gem alle advarsler og instruktioner til fremtidig reference.

Ordet "el-værktøj" i advarslerne henviser til det netforsynede (netledning) el-værktøj eller batteriforsynede (akku) el-værktøj.

Sikkerhedsadvarsler for overfræser

1. Hold kun maskinen i de isolerede gribeled, da skæreren kan komme i kontakt med sin egen ledning. Hvis der skæres i en strømførende ledning, kan udsatte metaldele på maskinen også blive strømførende, hvorved operatøren kan få elektrisk stød.
2. Brug skruetvinger eller en anden praktisk måde til at fastgøre og understøtte arbejdsemnet til en stabil platform. Hvis arbejdsemnet holdes i hånden eller mod kroppen, er det ustabil, hvilket kan medføre, at du mister kontrollen.
3. Overfræserbitskafet skal matche den designede spændepatron.
4. Brug kun en overfræserbit, der er vurderet til mindst den maksimale hastighed, der er angivet på maskinen.
5. Bær høreværn ved længere tids brug.
6. Hånder overfræserbits yderst forsigtigt.
7. Kontroller overfræserbitten omhyggeligt for revner eller beskadigelse før brugen. Udskift øjeblikkeligt en revnet eller beskadiget bit.
8. Undgå at skære i søm. Se efter og fjern alle søm fra arbejdsemnet, før arbejdet påbegyndes.
9. Hold godt fast i maskinen.
10. Hold hænderne på afstand af roterende dele.
11. Sørg for, at overfræserbitten ikke er i kontakt med arbejdsemnet, før der tændes ved kontakten.
12. Lad maskinen køre et stykke tid, før den anvendes på et egentligt arbejdsemne. Se efter vibration eller rysten, der kan tyde på en forkert monteret bit.
13. Vær opmærksom på overfræserbittens rotationsretning og fremføringsretningen.
14. Lad ikke maskinen køre. Brug kun maskinen, når den holdes i hænderne.
15. Sluk altid, og vent, til overfræserbitten er helt stoppet, før maskinen fjernes fra arbejdsemnet.
16. Undlad at berøre overfræserbitten umiddelbart efter brugen. Den kan være meget varm og kan forårsage forbrændinger.
17. Undgå at smøre foden skødesløst med fortynder, benzin, olie eller lignende. De kan forårsage revner i foden.
18. Nogle materialer indeholder kemikalier, der kan være giftige. Sørg omhyggeligt for at undgå indånding af støv samt kontakt med huden. Følg materialeleverandørens sikkerhedsdata.
19. Anvend altid korrekt støvmaske/åndedrætsværn til det materiale og anvendelsesformål, du arbejder med.
20. Placer maskinen på et stabilt område. Ellers kan der forekomme en faldulykke, der forårsager personskade.

GEM DISSE FORSKRIFTER.

⚠ ADVARSEL: LAD IKKE bekvemmelighed eller kendskab til produktet (opnået gennem gentagen brug) forhindre, at sikkerhedsforskrifterne for produktet nøje overholdes. MISBRUG eller forsømmelse af at følge de i denne brugsvejledning givne sikkerhedsforskrifter kan medføre alvorlig personskade.

FUNKTIONSBESKRIVELSE

⚠ FORSIGTIG: Kontrollér altid, at maskinen er slået fra, og at netstikket er trukket ud, før der udføres justeringer, eller funktioner kontrolleres på maskinen.

Justering af overfræserbittens fremspring

Hvis du vil justere bittens fremspring, skal du åbne låsehåndtaget og flytte foden op eller ned efter behov ved at dreje justeringsskrue. Efter justering skal du lukke låsehåndtaget fast for at fastgøre foden.

- Fig.1: 1. Fod 2. Skala 3. Bittens fremspring
4. Låsehåndtag 5. Justeringskrue
6. Sekskantmøtrik

BEMÆRK: Hvis maskinen ikke er fastgjort, selvom låsehåndtaget er lukket, skal du tilspænde sekskantmøtrikken og derefter lukke låsehåndtaget.

Afbryderfunktion

⚠ FORSIGTIG: Sørg altid for, at der er slukket for maskinen, før maskinen sættes i stikkontakten.

Tryk på I-siden af kontakten for at starte maskinen. Tryk på O-siden af kontakten for at stoppe maskinen.

- Fig.2: 1. Kontakt

Elektronisk funktion

Maskinen er udstyret med elektroniske funktioner for nem betjening.

Indikatorlampe

- Fig.3: 1. Indikatorlampe

Indikatorlampen lyser grønt, når maskinen er tilsluttet. Hvis indikatorlampen ikke lyser, kan netledningen eller kontrolløren være defekt. Hvis indikatorlampen er tændt, men maskinen ikke starter, selvom der er tændt for maskinen, kan kulbørsterne være slidte, eller kontrolløren, motoren eller TÆND/SLUK-knappen kan være defekt.

Sikring mod utilsigtet start

Maskinen starter ikke med kontaktens I-side trykket ned, selv når maskinen er tilsluttet. I så fald blinker indikatorlampen rødt og viser, at sikringsenheden mod utilsigtet start er tændt. Tryk på O-siden af kontakten for at annullere sikringen mod utilsigtet start.

Funktion til blød start

Funktionen til blød start minimerer opstartsstød og får maskinen til at starte blødt.

Konstant hastighedskontrol

Elektronisk hastighedskontrol til opnåelse af konstant hastighed.

Det er muligt at få en fin finish, fordi rotationshastigheden holdes konstant, selv under den belastede tilstand.

Drejeknap til hastighedsjustering

⚠ ADVARSEL: Brug ikke drejeknappen til hastighedsjustering under anvendelse. Overfræserbitten kan berøres af operatøren på grund af reaktionskraft. Dette kan medføre personskaade.

⚠ FORSIGTIG: Hvis maskinen anvendes kontinuerligt ved lave hastigheder i lang tid, bliver motoren overbelastet, hvilket resulterer i funktionsfejl på maskinen.

⚠ FORSIGTIG: Drejeknappen til hastighedsjustering kan kun drejes så langt som 6 og tilbage til 1. Tving den ikke forbi 6 eller 1, da hastighedsjusteringsfunktionen måske ikke længere virker.

Maskinhastigheden kan ændres ved at dreje drejeknappen til hastighedsjusteringen til en given nummerindstilling fra 1 til 6.

► Fig.4: 1. Drejeknap til hastighedsjustering

Højere hastighed opnås, når drejeknappen til hastighedsjusteringen drejes i retning af tallet 6. Og lavere hastighed opnås, når den drejes i retning af tallet 1. Dette gør det muligt at vælge den ideelle hastighed til optimal materialebehandling, dvs. at hastigheden kan justeres korrekt, så den passer til materialet og bitdiameteren. Se tabellen for at få oplysninger om forholdet mellem nummerindstillingerne på drejeknappen og den omtrentlige maskinhastighed.

Tal	min ⁻¹
1	10.000
2	12.000
3	17.000
4	22.000
5	27.000
6	34.000

SAMLING

⚠ FORSIGTIG: Sørg altid for, at maskinen er slukket og taget ud af forbindelse, inden der udføres nogen form for arbejde på maskinen.

Montering eller afmontering af overfræserbitten

⚠ FORSIGTIG: Undlad at tilspænde patronmøtrikken uden at indsætte en overfræserbit, da patronkeglen vil gå i stykker.

⚠ FORSIGTIG: Brug kun de skruenøgler, der følger med maskinen.

Der er altid to måder at montere overfræserbitten på. Udfør begge måder.

Med to skruenøgler

Sæt overfræserbitten helt ind i patronkeglen og tilspænd patronmøtrikken forsvarligt med en skruenøgle, mens halsen holdes med den anden skruenøgle.

► Fig.5: 1. Tilspænd 2. Løsn 3. Hals 4. Patronmøtrik

Med én skruenøgle

Sæt overfræserbitten helt ind i patronkeglen, og tilspænd patronmøtrikken forsvarligt med skruenøglen, mens du trykker på aksellåsen.

► Fig.6: 1. Tilspænd 2. Løsn 3. Aksellås 4. Patronmøtrik

Følg monteringsproceduren i omvendt rækkefølge for at afmontere overfræserbitten.

Udskiftning af patronkeglen

⚠ FORSIGTIG: Brug patronkeglen med den rigtige størrelse til den overfræserbit, som du har til hensigt at bruge.

⚠ FORSIGTIG: Undlad at tilspænde patronmøtrikken uden at montere en overfræserbit, da patronkeglen kan gå i stykker.

1. Løsn patronmøtrikken, og afmonter den.
2. Udskift den monterede patronkegle med den ønskede patronkegle.
3. Genmonter patronmøtrikken.

► Fig.7: 1. Patronkegle 2. Patronmøtrik

ANVENDELSE

⚠ FORSIGTIG: Hold altid godt fast i maskinen med den ene hånd på huset. Rør ikke ved metaldelen.

Til foden

⚠ ADVARSEL: Før du bruger maskinen med foden, skal du altid montere støvmundstykket på foden.

► Fig.8: 1. Støvmundstykke 2. Fingerskrue 3. Fod

1. Anbring foden på det arbejdsemne, der skal skæres, uden at overfræserbitten kommer i kontakt.
2. Tænd for maskinen, og vent, til overfræserbitten har nået fuld hastighed.

3. Flyt maskinen fremad hen over arbejdsemnets overflade, idet foden holdes plan, og der flyttes fremad med jævnt hastighed, indtil skæringen er færdig.

► Fig.9

Ved skæring af kanter skal arbejdsemnets overflade være på venstre side af overfræserbitten i fremføringsretningen.

► Fig.10: 1. Arbejdsemne 2. Bittens omdrejningsretning 3. Set fra toppen af maskinen 4. Fremføringsretning

Ved brug af det lige styr eller tilskæringsstyret skal du sørge for at holde det i højre side i fremføringsretningen. Dette hjælper med at holde det justeret i forhold til siden af arbejdsemnet.

► Fig.11: 1. Fremføringsretning 2. Bittens omdrejningsretning 3. Arbejdsemne 4. Lige styr

BEMÆRK: Hvis maskinen føres fremad for hurtigt, kan det medføre et dårligt snit eller beskadigelse af overfræserbitten eller motoren. Hvis maskinen flyttes for langsomt fremad, kan snittet blive brændt og ødelagt. Den korrekte fremføringshastighed afhænger af bitstørrelsen, typen af arbejdsemnet og skæredybden. Før du starter snittet i det faktiske arbejdsemne, tilrådes det at foretage et prøvesnit i et stykke affaldstræ. Dette viser, nøjagtigt hvordan snittet vil se ud, og du kan kontrollere dimensionerne.

⚠FORSIGTIG: Da overdreven skæring kan medføre overbelastning af motoren eller problemer med at kontrollere maskinen, bør skæredybden ikke være mere end 3 mm ved en passage ved skæring af riller. Hvis du vil skære riller, som er dybere end 3 mm, skal du foretage flere gennemløb med gradvist dybere bitindstillinger.

Fod (harpiks)

Ekstraudstyr

Du kan bruge foden (harpiks) som ekstraudstyr, som vist på figuren.

► Fig.12: 1. Blokeringskrue

Anbring maskinen på foden (harpiks), og tilspænd blokeringskruen ved det ønskede fremspring på overfræserbitten.

For driftsprocedurerne henvises til anvendelsen for foden.

Skabelonstyr

Ekstraudstyr

Skabelonstyret skaber en muffe, som overfræserbitten går igennem, så maskinen kan anvendes sammen med skabelonmønstre.

► Fig.13

1. Løsn skruerne, og fjern fodbeskytteren.

► Fig.14: 1. Fodbeskytter 2. Skruer

2. Placer skabelonstyret på foden, og placer fodbeskytteren igen. Fastgør derefter fodbeskytteren ved at stramme skruerne.

3. Fastgør skabelonen til arbejdsemnet. Placer maskinen på skabelonen, og flyt maskinen, så skabelonstyret glider langs siden af skabelonen.

► Fig.15: 1. Overfræserbit 2. Fod 3. Fodbeskytter 4. Skabelon 5. Arbejdsemne 6. Skabelonstyr

BEMÆRK: Arbejdsemnet skæres i en lidt anden størrelse end skabelonen. Tag højde for afstanden (X) mellem overfræserbitten og ydersiden af skabelonstyret. Afstanden (X) kan beregnes ved hjælp af følgende ligning:

Afstand (X) = (den udvendige diameter af skabelonstyret - diameteren af overfræserbitten) / 2

Lige styr

Ekstraudstyr

Det lige styr bruges effektivt til lige snit under skrâfasing eller skæring af riller.

► Fig.16

1. Monter styrpladen på det lige styr ved hjælp af boltten og vingemøtrikken.

► Fig.17: 1. Bolt 2. Styrplade 3. Lige styr 4. Vingemøtrik

2. Monter den lige styrenhed med blokeringskruen.

► Fig.18: 1. Blokeringskrue 2. Lige styr 3. Vingemøtrik 4. Fod

3. Løsn vingemøtrikken på den lige styrenhed, og juster afstanden mellem overfræserbitten og det lige styr. Tilspænd vingemøtrikken forsvarligt i den ønskede afstand.

4. Ved skæring skal du flytte maskinen, så det lige styr flugter med siden af arbejdsemnet.

Hvis afstanden mellem arbejdsemnets side og skærepositionen er for bred til det lige styr, eller hvis arbejdsemnets side ikke er lige, kan det lige styr ikke bruges. I så fald skal du fastklemme et lige bræt på arbejdsemnet og bruge det som et styr mod overfræserfoden. Før maskinen frem i pilens retning.

► Fig.19

Cirkulært arbejde

Cirkulært arbejde kan udføres, hvis du samler det lige styr og styrpladen som vist på figuren.

Den mindste og største radius af de cirkler, der skal udskæres (afstanden mellem midten af cirklen og midten af overfræserbitten), er som følger:

Min.: 70 mm

Maks.: 221 mm

Til skæring af cirkler med en radius på mellem 70 mm og 121 mm

► Fig.20: 1. Vingemøtrik 2. Styrplade 3. Lige styr 4. Centerhul 5. Bolt

Til udskæring af cirkler med en radius på mellem 121 mm og 221 mm

► Fig.21: 1. Vingemøtrik 2. Styrplade 3. Lige styr 4. Centerhul 5. Bolt

BEMÆRK: Der kan ikke udskæres cirkler med en radius på mellem 172 mm og 186 mm ved hjælp af dette styr.

1. Juster centerhullet i det lige styr med midten af den cirkel, der skal udskæres.

► Fig.22: 1. Søm 2. Centerhul 3. Lige styr

2. Slå et søm med en diameter på mindre end 6 mm i centerhullet for at fastgøre det lige styr.

3. Drej maskinen rundt om sømmet i retning med uret.

Tilskæringsstyr

Ekstraudstyr

Tilskæring, kurvede snit i finer til møbler og lignende er let at foretage med tilskæringsstyret. Styrrullen rider på kurven og sikrer et fint snit.

► Fig.23

1. Monter tilskæringsstyret og styrholderen på foden med blokeringskruen (A).
2. Løsn blokeringskruen (B), og juster afstanden mellem overfræserbitten og tilskæringsstyret ved at dreje justeringskruen (1 mm pr. omgang). Tilspænd blokeringskruen (B) ved den ønskede afstand for at holde tilskæringsstyret på plads.
► Fig.24: 1. Justeringskruer 2. Styrholder 3. Tilskæringsstyr
3. Ved skæring skal du flytte maskinen, så styrrullen rider på siden af arbejdsemnet.
► Fig.25: 1. Arbejdsemne 2. Overfræserbit 3. Styrrulle

Vippefod

Ekstraudstyr

Vippefoden bruges til at tilskære kanten på laminatplader eller lignende materialer.

Vippefoden er nyttig til skrâfâsning.

1. Anbring maskinen på vippefoden, løsn blokeringskruerne, og vip maskinen i den ønskede vinkel.
2. Luk låsehåndtaget ved det ønskede fremspring på overfræserbitten, og tilspænd blokeringskruerne i den ønskede vinkel.
3. Fastklem et lige bræt til arbejdsemnet, og brug det som et styr mod vippefoden. Før maskinen frem i pilens retning.
► Fig.26: 1. Blokeringskruer 2. Låsehåndtag

Brug af vippefodbeskytteren med foden

Vippefodbeskytteren (firkantet), der er afmonteret fra vippefoden, kan monteres på foden. Fodbeskytterens form kan ændres fra rund til firkantet.

1. Afmonter vippefodbeskytteren fra vippefoden ved at løsne og afmontere de fire skruer.
2. Monter vippefodbeskytteren på foden.
► Fig.27: 1. Vippefodbeskytter 2. Skruer

Offsetfod

Ekstraudstyr

Offsetfoden bruges til at tilskære kanten på laminatplader eller lignende materialer.

Offsetfoden er praktisk til arbejde i et trangt område.

► Fig.28

Brug af maskinen med offsetfoden

1. Før du monterer maskinen på offsetfoden, skal du afmontere patronmøtrikken og patronkeglen ved at løsne patronmøtrikken.
► Fig.29: 1. Remske 2. Patronmøtrik 3. Patronkegle

2. Monter remskiven på maskinen ved at trykke på aksellåsen og tilspænde remskiven forsvarligt med en skruenøgle.

► Fig.30: 1. Skruenøgle 2. Remske 3. Aksellås

3. Anbring patronkeglen, og skru patronmøtrikken på offsetfoden som vist på figuren.

► Fig.31: 1. Patronmøtrik 2. Patronkegle

4. Monter offsetfoden på maskinen.

► Fig.32

5. Fastgør remmen over remskiven ved hjælp af en skruetrækker, og sørg for, at hele remsbredden passer fuldstændig over remskiven.

► Fig.33: 1. Remske 2. Rem

6. Luk låsehåndtaget.

► Fig.34: 1. Låsehåndtag

7. Monter overfræserbitten som følger.

Læg maskinen ned med offsetfoden. Indsæt sekskantnøglen i hullet på offsetfoden.

Mens sekskantnøglen holdes i den position, der er vist på figuren, skal du indsætte overfræserbitten i patronkeglen på offsetfodens skaft fra den modsatte side og tilspænde patronmøtrikken forsvarligt med en skruenøgle.

► Fig.35: 1. Skruenøgle 2. Sekskantnøgle 3. Overfræserbit

8. Følg monteringsproceduren i omvendt rækkefølge for at afmontere overfræserbitten.

Brug af foden med offsetfodens plade og grebmontering

Offsetfoden kan også bruges med en fod og en grebmontering (ekstraudstyr) for mere stabilitet.

► Fig.36

1. Løsn skruerne, og afmonter den øverste del fra offsetfoden. Læg den øverste del af offsetfoden til side.
► Fig.37: 1. Skruer 2. Offsetfodens plade 3. Øverste del af offsetfoden

2. Monter offsetfodens plade med fire skruer og grebmonteringen med to skruer på offsetfodens plade. Skru et skinnetypegreb (ekstraudstyr) fast på grebmonteringen. Knaptyppegrebet, som er afmonteret fra en stikfod (ekstraudstyr) kan monteres på grebmonteringen på en anden måde. Hvis du vil montere knaptyppegrebet, skal du placere det på grebmonteringen og fastgøre det med en skruer.

Med skinnetypegreb

- Fig.38: 1. Skinnetypegreb 2. Grebmontering 3. Offsetfodens plade

Med knaptypgreb

- Fig.39: 1. Skruer 2. Knaptypgreb 3. Grebmontering

Brug af maskinen med stikfoden

Ekstraudstyr

▲FORSIGTIG: Når du bruger maskinen som en fræser, skal du holde godt fast i maskinen med begge hænder.

1. Hvis du vil bruge maskinen som en fræser, skal du montere maskinen på en stikfod (ekstraustyr) ved at trykke den helt ned. Du kan bruge enten knaptypegrebet eller skinnetypegrebet (ekstraustyr) afhængigt af dit arbejde.

► **Fig.40:** 1. Stikfod 2. Skinnetypegreb

2. Hvis du vil bruge skinnetypegrebet (ekstraustyr), skal du løse skruen og afmontere knaptypegrebet.

► **Fig.41:** 1. Skrue 2. Knaptypegreb

3. Skru skinnetypegrebet på foden.

► **Fig.42:** 1. Skinnetypegreb

Justering af skæredybden, når du bruger stikfoden (ekstraustyr)

▲FORSIGTIG: Hold altid godt fast i maskinen ved begge greb under anvendelse.

► **Fig.43:** 1. Justeringshåndtag 2. Låsehåndtag 3. Dybdevælger 4. Indstillingsmøtrik til stopperarm 5. Hurtig fremføringsknop 6. Stopperarm 7. Stopperblok 8. Sekskantbolt til justering

1. Anbring maskinen på en plan overflade. Løsn låsehåndtaget, og sænk maskinens krop, indtil overfræserbitten blot rører den plane overflade. Tilspænd låsehåndtaget for at låse maskinens krop.

2. Drej stopperarmens indstillingsmøtrik mod uret. Sænk stopperarmen, indtil den kommer i kontakt med sekskantbolten til justering. Juster dybdevælgeren med gradinddelingen "0". Skæredybden er angivet på skalaen med dybdevælgeren.

3. Mens du trykker på hurtigfremføringsknappen, skal du hæve stopperarmen, indtil den ønskede skæredybde er opnået. Der kan opnås små dybdejusteringer ved at dreje på justeringshåndtaget (1 mm pr. omdrejning).

4. Du kan fastgøre stopperarmen forsvarligt ved at dreje stopperarmens indstillingsmøtrik med uret.

5. Nu kan din forudbestemte skæredybde opnås ved at løsne låsehåndtaget og derefter sænke maskinens krop, indtil stopperarmen kommer i kontakt med stopperblokkens justeringsbolt.

6. Anbring foden på det arbejdsemne, der skal skæres, uden at overfræserbitten kommer i kontakt.

7. Tænd for maskinen, og vent, til overfræserbitten opnår fuld hastighed.

8. Sænk maskines krop, og flyt maskinen fremad hen over arbejdsemnet, idet foden holdes plan, og der flyttes fremad med jævn hastighed, indtil skæringen er færdig.

Ved kantskæring skal arbejdsemnets overflade være på venstre side af overfræserbitten i fremføringsretningen.

► **Fig.44:** 1. Arbejdsemne 2. Bittens omdrejningsretning 3. Set fra toppen af maskinen 4. Fremføringsretning

Når du bruger det lige styr eller tilskæringsstyret, skal du sørge for at holde det på højre side i fremføringsretningen. Dette hjælper med at holde det plant med siden af arbejdsemnet.

► **Fig.45:** 1. Fremføringsretning 2. Bittens omdrejningsretning 3. Arbejdsemne 4. Lige styr

BEMÆRK: Hvis maskinen føres for hurtigt fremad, kan det medføre en dårlig snitkvalitet eller beskadigelse af overfræserbitten eller motoren. Hvis du flytter maskinen for langsomt fremad, kan det brænde og ødelægge snittet. Den korrekte fremføringshastighed afhænger af bitstørrelsen, typen af arbejdsemnet og skæredybden. Før du begynder at skære i det egentlige arbejdsemne, er det tilrådeligt at lave et prøvesnit i et stykke affaldstræ. Dette vil vise nøjagtigt, hvordan snittet vil se ud, og give dig mulighed for at kontrollere dimensionerne.

Lige styr til styrholder

Ekstraustyr

Det lige styr bruges effektivt til lige snit under skræfasing eller skæring af riller.

► **Fig.46:** 1. Bolt 2. Styrholder 3. Vingemøtrik (A) 4. Bolt 5. Vingemøtrik (B) 6. Styrplade 7. Lige styr 8. Vingebolte

1. Monter den lige styrenhed på styrholderen (ekstraustyr) med boltene og vingemøtrikken (A).

2. Indsæt styrholderen i hullerne i stikfoden, og tilspænd vingeboltene.

3. Hvis du vil justere afstanden mellem overfræserbitten og det lige styr, skal vingemøtrikken (B) løsnes. Tilspænd vingemøtrikken (B) i den ønskede afstand for at holde det lige styr på plads.

Lige styr

Ekstraustyr

Det lige styr bruges effektivt til lige snit under skræfasing eller skæring af riller.

► **Fig.47**

1. Indsæt styreskinne i hullerne på stikfoden.

► **Fig.48:** 1. Styreskinne 2. Vingemøtrik 3. Lige styr

2. Juster afstanden mellem overfræserbitten og det lige styr. Tilspænd vingemøtrikkerne i den ønskede afstand for at holde det lige styr på plads.

3. Ved skæring skal du flytte maskinen, så det lige styr flugter med siden af arbejdsemnet.

Hvis afstanden mellem arbejdsemnets side og skærepositionen er for bred til det lige styr, eller hvis arbejdsemnets side ikke er lige, kan det lige styr ikke bruges. I så fald skal du fastklemme et lige bræt til arbejdsemnet, og bruge det som et styr mod overfræserfoden. Før maskinen frem i pilens retning.

► **Fig.49**

Skabelonstyr

Ekstraustyr

Skabelonstyret skaber en muffe, som overfræserbitten går igennem, så maskinen kan anvendes sammen med skabelonmønstre.

► **Fig.50**

1. Løsn skruerne på maskinens fod, indsæt skabelonstyret og tilspænd derefter skruerne.

► **Fig.51:** 1. Skrue 2. Fod 3. Skabelonstyr

2. Fastgør skabelonen til arbejdsemnet. Placer maskinen på skabelonen, og flyt maskinen, så skabelonstyret glider langs siden af skabelonen.

- **Fig.52:** 1. Overfræserbit 2. Fod 3. Fodbeskytter
4. Skabelon 5. Arbejdsemne
6. Skabelonstyr

BEMÆRK: Arbejdsemnet skæres i en lidt anden størrelse end skabelonen. Tag højde for afstanden (X) mellem overfræserbitten og ydersiden af skabelonstyret. Afstanden (X) kan beregnes ved hjælp af følgende ligning:

Afstand (X) = (den udvendige diameter af skabelonstyret - diameteren af overfræserbitten) / 2

Støvmundstykkessæt

Brug støvmundstykket til fjernelse af støv.

Til foden

Monter støvmundstykket på maskinens fod ved hjælp af fingerskruen.

- **Fig.53:** 1. Støvmundstykke 2. Fingerskrue 3. Fod

Til stikfoden

Ekstraudstyr

1. Monter støvmundstykket på stikfoden ved hjælp af fingerskruen, så fremspringet på støvmundstykket passer til indhakked i stikfoden.

- **Fig.54:** 1. Støvmundstykke 2. Fingerskrue
3. Stikfod

2. Tilslut en støvsuger til støvmundstykket.

- **Fig.55**

VEDLIGEHOJDELSE

▲FORSIGTIG: Kontrollér altid, at der er slukket for maskinen, og at netstikket er trukket ud, før der udføres eftersyn eller vedligeholdelse.

BEMÆRKNING: Anvend aldrig benzin, rensebenzin, fortynder, alkohol og lignende. Det kan medføre misfarvning, deformation eller revner.

For at opretholde produktets SIKKERHED og PÅLIDELIGHED må reparation, vedligeholdelse eller justering kun udføres af et autoriseret Makita servicecenter eller fabrikksservicecenter med anvendelse af Makita reservedele.

Udskiftning af kulbørster

- **Fig.56:** 1. Slidgrænse

Kontrollér kulbørsterne med regelmæssige mellemrum. Udskift dem, når de er slidt ned til slidgrænsen. Hold kulbørsterne rene og i stand til frit at glide ind i holderne. Begge kulbørster skal udskiftes parvist samtidigt. Anvend kun identiske kulbørster.

1. Belyt en skruetrækker til at afmontere kulholderdækslerne.
2. Tag de slidte kulbørster ud, isæt de nye, og fastgør derefter kulholderdækslerne.

- **Fig.57:** 1. Kulholderdæksel

EKSTRAUDSTYR

▲FORSIGTIG: Det følgende tilbehør og ekstraudstyr er anbefalet til brug med Deres Makita maskine, der er beskrevet i denne brugsanvisning. Anvendelse af andet tilbehør eller ekstraudstyr kan udgøre en risiko for personskade. Anvend kun tilbehør og ekstraudstyr til det beskrevne formål.

Hvis De behøver hjælp ved valg af tilbehør eller ønsker yderligere informationer, bedes De kontakte Deres lokale Makita servicecenter.

- Lige og rilleformede bits
- Kantformningsbits
- Laminattilskæringsbits
- Lige styrenhed
- Tilskæringsstyrenhed
- Fodenhed (harpiks)
- Vippefodenhed
- Stikfodenhed
- Offsetfodenhed
- Skabelonstyr
- Patronkegle
- Skrueøjgle
- Støvmundstykke
- Styreskinne
- Styreskinneadaptersæt
- Lige styr med mikrojustering
- Sidehåndtag
- Grebmontering

BEMÆRK: Nogle ting på denne liste kan være inkluderet i værktøjspakken som standardtilbehør. Det kan være forskellige fra land til land.

Overfræserbits

Lige bit

- **Fig.58**

D	A	L1	L2
6	20	50	15
1/4"			
8	8	60	25
6		50	18
1/4"	6	50	18
6			
1/4"			

Enhed: mm

U-rillebit

- **Fig.59**

D	A	L1	L2	R
6	6	60	28	3
1/4"				

Enhed: mm

V-rillebit
► Fig.60

D	A	L1	L2	θ
1/4"	20	50	15	90°

Enhed: mm

Bit til udglatning af borepunkt
► Fig.61

D	A	L1	L2	L3
8	8	60	20	35
6	6	60	18	28
1/4"				

Enhed: mm

Bit til dobbelt udglatning af borepunkt
► Fig.62

D	A	L1	L2	L3	L4
8	8	80	95	20	25
6	6	70	40	12	14
1/4"					

Enhed: mm

Bit til afrunding af hjørner
► Fig.63

D	A1	A2	L1	L2	L3	R
6	25	9	48	13	5	8
1/4"						
6	20	8	45	10	4	4
1/4"						

Enhed: mm

Skråfasningsbit
► Fig.64

D	A	L1	L2	L3	θ
6	23	46	11	6	30°
6	20	50	13	5	45°
6	20	49	14	2	60°

Enhed: mm

Bugtbertlingsbit
► Fig.65

D	A	L1	L2	R
6	20	43	8	4
6	25	48	13	8

Enhed: mm

Bit til udglatning med kugleleje
► Fig.66

D	A	L1	L2
6	10	50	20
1/4"			

Enhed: mm

Bit til afrunding af hjørner med kugleleje
► Fig.67

D	A1	A2	L1	L2	L3	R
6	15	8	37	7	3,5	3
6	21	8	40	10	3,5	6
1/4"	21	8	40	10	3,5	6

Enhed: mm

Bit til skråfasning med kugleleje
► Fig.68

D	A1	A2	L1	L2	θ
6	26	8	42	12	45°
1/4"					
6	20	8	41	11	60°

Enhed: mm

Bit til bertling med kugleleje
► Fig.69

D	A1	A2	A3	L1	L2	L3	R
6	20	12	8	40	10	5,5	4
6	26	12	8	42	12	4,5	7

Enhed: mm

Bit til bugtbertling med kugleleje
► Fig.70

D	A1	A2	A3	A4	L1	L2	L3	R
6	20	18	12	8	40	10	5,5	3
6	26	22	12	8	42	12	5	5

Enhed: mm

Antikkarnisbit med kugleleje
► Fig.71

D	A1	A2	L1	L2	L3	R1	R2
6	20	8	40	10	4,5	2,5	4,5
6	26	8	42	12	4,5	3	6

Enhed: mm

SPECIFIKĀCIJAS

Modelis:	RT0702C
Ietvara spīļpatronas iekšējais diametrs	6 mm, 8 mm vai 1/4"
Ātrums bez slodzes	10 000–34 000 min ⁻¹
Kopējais augstums	210 mm
Tīrsvars	1,8–2,8 kg
Drošības klase	II/III

- Nepārtrauktās izpētes un izstrādes programmas dēļ šeit uzrādītās specifikācijas var tikt mainītas bez brīdinājuma.
- Atkarībā no valsts specifikācijas var atšķirties.
- Svārs var atšķirties atkarībā no papildierīces(-ēm). Tabulā ir attēlota vieglākā un smagākā kombinācija atbilstoši EPTA procedūrai 01/2014.

Paredzētā lietošana

Šis darbarīks paredzēts koka, plastmasas un tamlīdzīgu materiālu līdzenai apzāģēšanai un profilēšanai.

Barošana

Darbarīks jāpievieno tikai tādām barošanas avotam, kura spriegums atbilst uz darbarīka tehnisko datu plāksnītes norādītajam, un darbarīku var izmantot tikai ar vienfāzes maiņstrāvas barošanu. Darbarīks aprīkots ar divkārošo izolāciju, tādēļ to var izmantot arī, pievienojot kontaktligzdai bez iezemējuma vada.

Trokšņa līmenis

Tipiskais A svērtais trokšņa līmenis noteikts saskaņā ar EN62841-2-17:

Skaņas spiediena līmeni (L_{pA}): 82 dB (A)

Skaņas jaudas līmeni (L_{WA}): 93 dB (A)

Mainīgums (K): 3 dB (A)

PIEZĪME: Paziņotā trokšņa emisijas vērtība noteikta atbilstoši standarta pārbaudes metodei, un to var izmantot, lai salīdzinātu vienu darbarīku ar citu.

PIEZĪME: Paziņoto trokšņa emisijas vērtību arī var izmantot iedarbības sākotnējā novērtējumā.

▲BRĪDINĀJUMS: Lietojiet ausu aizsargus.

▲BRĪDINĀJUMS: Trokšņa emisija patiesos darba apstākļos var atšķirties no paziņotās vērtības atkarībā no darbarīka izmantošanas veida un jo īpaši atkarībā no apstrādājamā materiāla veida.

▲BRĪDINĀJUMS: Lai aizsargātu lietotāju, nosakiet drošības pasākumus, kas pamatoti ar iedarbību reālos darba apstākļos (ņemot vērā visus ekspluatācijas cikla posmus, piemēram, laiku, kamēr darbarīks ir izslēgts un kad darbojas tukšgaitā, kā arī palaides laiku).

Vibrācija

Vibrācijas kopējā vērtība (trīsasu vektora summa)

noteikta atbilstoši EN62841-2-17:

Darba režīms: rotācija bez slodzes

Vibrācijas izmete (a_h): 2,5 m/s² vai mazāk

Mainīgums (K): 1,5 m/s²

PIEZĪME: Paziņotā kopējā vibrācijas vērtība noteikta atbilstoši standarta pārbaudes metodei, un to var izmantot, lai salīdzinātu vienu darbarīku ar citu.

PIEZĪME: Paziņoto kopējo vibrācijas vērtību arī var izmantot iedarbības sākotnējā novērtējumā.

▲BRĪDINĀJUMS: Vibrācijas emisija patiesos darba apstākļos var atšķirties no paziņotās vērtības atkarībā no darbarīka izmantošanas veida un jo īpaši atkarībā no apstrādājamā materiāla veida.

▲BRĪDINĀJUMS: Lai aizsargātu lietotāju, nosakiet drošības pasākumus, kas pamatoti ar iedarbību reālos darba apstākļos (ņemot vērā visus ekspluatācijas cikla posmus, piemēram, laiku, kamēr darbarīks ir izslēgts un kad darbojas tukšgaitā, kā arī palaides laiku).

EK atbilstības deklarācija

Tikai Eiropas valstīm

EK atbilstības deklarācija šajā lietošanas rokasgrāmatā ir iekļauta kā A pielikums.

DROŠĪBAS BRĪDINĀJUMI

Vispārīgi elektrisko darbarīku drošības brīdinājumi

▲BRĪDINĀJUMS: Izlasiet visus drošības brīdinājumus, instrukcijas, apskatiet ilustrācijas un tehniskos datus, kas iekļauti mehanizētā darbarīka komplektācijā. Ja netiek ievēroti visi tālāk minētie noteikumi, var tikt izraisīta elektrotrauma, notikt aizdegšanās un/vai rasties smagas traumas.

Glabājiet visus brīdinājumus un norādījumus, lai varētu tajos ieskatīties turpmāk.

Termins „elektrisks darbarīks” brīdinājumos attiecas uz tādu elektrisko darbarīku, ko darbina ar elektrību (ar vadu), vai tādu, ko darbina ar akumulatoru (bez vada).

Drošības brīdinājumi apgriezējmašīnas lietošanai

1. Mehanizēto darbarīku turiet tikai aiz izolētajām satveršanas virsmām, jo griezejs var saskarties ar savu kabeli. Sagriežot vadu, kurā ir strāva, mehanizētā darbarīka ārējās metāla virsmas var vadīt strāvu un radīt elektriskās strāvas trieciena risku.
2. Ar skavām vai citā praktiskā veidā nostipriniet apstrādājamo materiālu un atbalstiet pret stabilu platformu. Turot materiālu ar roku vai pie ķermeņa, tas ir nestabilā stāvoklī: jūs varat zaudēt kontroli pār to.
3. Apgriezējmašīnas uzgaļa kātam ir jābūt saderīgam ar ietvara spīlpatronu.
4. Atļauts izmantot tikai tādus apgriezējmašīnas uzgaļus, kuru maksimālais lietošanas ātrums ir vismaz vienlīdzīgs ar maksimālo ātrumu, kas norādīts uz darbarīka.
5. Ilgstoša darba laikā lietojiet ausu aizsargus.
6. Ar apgriezējmašīnas uzgaļiem rīkojieties ļoti uzmanīgi.
7. Pirms sākat darbu, uzmanīgi pārbaudiet, vai apgriezējmašīnas uzgalim nav plaisu vai bojājumu. Noplaisājušu vai bojātu uzgali nekavējoties nomainiet.
8. Negrieziet naglas. Pirms sākt darbu pārbaudiet, vai apstrādājamā materiālā nav naglas, un tās izņemiet.
9. Darbarīku turiet cieši.
10. Rokas netuviniet rotējošām daļām.
11. Pirms slēdža pārslēgšanas ieslēgtā stāvoklī pārliecinieties, ka apgriezējmašīnas uzgalis nepieskaras apstrādājamajam materiālam.
12. Pirms darbarīku lietojat materiāla apstrādei, īslaicīgi darbiniet to bez slodzes. Pievērsiet uzmanību vibrācijai vai svārstībām, jo tas var liecināt par nepareizi uzstādītu uzgali.
13. Pievērsiet uzmanību apgriezējmašīnas uzgaļa griešanās virzienam un padeves virzienam.
14. Neatsīļiet darbarīku ieslēgtu. Darbiniet darbarīku vienīgi tad, ja turat to rokās.

15. Pirms apgriezējmašīnas izņemšanas no apstrādājamā materiāla vienmēr izslēdziet darbarīku un nogaidiet, līdz apgriezējmašīnas uzgalis pavisam apstājas.
16. Apgriezējmašīnas uzgalim nepieskarieties tūlīt pēc darba izpildes; tas var būt ļoti karsts un apdedzināt ādu.
17. Nesmērējiet uz pamatnes pārāk daudz šķīdinātāju, benzīnu, eļļu vai līdzīgas vielas. Tas var izraisīt pamatnes plaisāšanu.
18. Daži materiāli satur ķīmiskas vielas, kas var būt toksiskas. Izvairieties no putekļu ieelpošanas un to nokļūšanas uz ādas. Ievērojiet materiāla piegādātāja drošības datus.
19. Vienmēr izmantojiet materiālam un konkrētam gadījumam piemērotu putekļu masku/respiratoru.
20. Novietojiet darbarīku uz stingras virsmas. Pretējā gadījumā tas var nokrist un izraisīt traumas.

SAGLABĀJIET ŠOS NORĀDĪJUMUS.

▲BRĪDINĀJUMS: NEPIEĻAUJIET to, ka labu iemaņu vai izstrādājuma labas pārzināšanas (darbarīku atkārtoti ekspluatējot) rezultātā vairs stingri neievērojāt šī izstrādājuma drošības noteikumus. NEPAREIZI LIETOJOT darbarīku vai neievērojot šajā instrukcijā rokasgrāmatā minētos drošības noteikumus, var tikt gūtas smagas traumas.

FUNKCIJU APRAKSTS

▲UZMANĪBU: Pirms regulējat vai pārbaudāt darbarīka darbību, vienmēr pārliecinieties, ka darbarīks ir izslēgts un atvienots no barošanas.

Apgriezējmašīnas uzgaļa izvirkzījuma regulēšana

Lai noregulētu uzgaļa izcilni, atveriet aiztura sviru un virziet pamatni augšup vai lejup, atkarībā no vajadzības, griežot regulēšanas skrūvi. Pēc noregulēšanas noslēdziet aiztura sviru, lai nostiprinātu pamatni.

- **Att.1:** 1. Pamatne 2. Skala 3. Uzgaļa izvirkzījums
4. Aiztura svira 5. Regulēšanas skrūve
6. Sešstūru uzgrieznis

PIEZĪME: Ja darbarīks nav nostiprināts pat tad, ja aiztura svira ir noslēgta, pievelciet sešstūru uzgriezni un pēc tam noslēdziet aiztura sviru.

Slēdža darbība

▲UZMANĪBU: Pirms darbarīka pievienošanas barošanas avotam vienmēr pārbaudiet, vai tas ir izslēgts.

Lai iedarbinātu darbarīku, nospiediet slēdža „I” pusi. Lai apturētu darbarīku, nospiediet slēdža „O” pusi.

- **Att.2:** 1. Slēdzis

Elektronika

Lai atvieglotu lietošanu, darbarīks ir aprīkots ar elektroniskām funkcijām.

Indikatora lampiņa

► **Att.3:** 1. Indikatora lampiņa

Zaļās krāsas gaismas indikatora lampiņa iedegas, kad darbarīks tiek pievienots barošanas avotam. Ja indikatora lampiņa neiedegas, var būt bojāts barošanas kabelis vai vadības ierīce. Indikatora lampiņa deg, taču darbarīks nesāk darboties, pat ja tas ir ieslēgts; var būt nolietojušās ogles sukas, vai arī var būt bojāta vadības ierīce, motors vai slēdzis ON/OFF (Iesl./izsl.).

Aizsardzība pret nejaušu darbības atsākšanu

Darbarīks neieslēdzas, kad nospiesta slēdža „I” puse, pat ja ir pievienots barošanas avots. Šajā brīdī indikatora lampiņa mirgo sarkanā krāsā, norādot, ka darbojas drošības mehānisms, kas nepieļauj nejaušu darbības atsākšanu. Lai atceltu aizsardzību, kas nepieļauj nejaušu darbības atsākšanu, nospiediet slēdža „O” pusi.

Laidenas ieslēgšanas funkcija

Laidena ieslēgšana minimizē iedarbināšanas triecienu, un darbarīks uzsāk darbību vienmērīgi.

Nemainīga ātruma vadība

Ātruma elektroniskā vadība nemainīga ātruma nodrošināšanai. Ir iespējams panākt lielisku darba rezultātu, jo griešanās ātrums saglabājas vienmērīgs pat slodzes apstākļos.

Ātruma regulēšanas gredzens

▲BRĪDINĀJUMS: Eksploatācijas laikā neizmantojiet ātruma regulēšanas gredzenu. Kustības spēka ietekmē operators varētu saskarties ar trimera uzgali. Tādējādi var gūt savainojumus.

▲UZMANĪBU: Ja darbarīku regulāri un ilgstoši darbināsit ar mazu ātrumu, motors tiks pārslogots, tādējādi radot darbarīka darbības traucējumus.

▲UZMANĪBU: Ātruma regulēšanas gredzenu var griezt ne tālāk par 6 iedaļu un atpakaļ līdz 1. Lai nesabojātu ātruma regulēšanas funkcijas darbību, nemēģiniet ar spēku to pagriezt tālāk aiz 6 vai 1.

Lai izmainītu darbarīka ātrumu, regulēšanas gredzens ir jāuzstāda vienā no stāvokļiem, kuri ir apzīmēti ar cipariem no 1 līdz 6.

► **Att.4:** 1. Ātruma regulēšanas gredzens

Lai palielinātu ātrumu, ātruma regulēšana gredzens ir jāpagriež cipara 6 virzienā. Lai samazinātu ātrumu, tas ir jāpagriež cipara 1 virzienā.

Tādējādi iespējams izvēlēties vispiemērotāko ātrumu, lai apstrādātu materiālu pēc iespējas labāk, t. i., ātrumu var noregulēt tā, lai tas atbilstu materiālam un uzgaļa diametram.

Saistību starp cipara iestatījumu uz regulēšanas gredzenu un aptuveno darbarīka ātrumu skatiet tabulā.

Cipars	min ⁻¹
1	10 000
2	12 000
3	17 000
4	22 000
5	27 000
6	34 000

MONTĀŽA

▲UZMANĪBU: Vienmēr pārliedcinieties, ka darbarīks ir izslēgts un atvienots no barošanas, pirms veicat jebkādas darbības ar darbarīku.

Apgriezējmašīnas uzgaļa uzstādīšana vai noņemšana

▲UZMANĪBU: Nepieskrūvējiet ietvara uzgriezni, ja nav ievietots trimera uzgalis, jo tad ietvara konuss salūzīs.

▲UZMANĪBU: Izmantojiet tikai darbarīkam paredzētās uzgriežņatslēgas.

Ir divi trimera uzgaļa uzstādīšanas veidi. Izmantojiet jebkuru no tiem.

Ar divām uzgriežņatslēgām

Ietvara konusā līdz galam ievietojiet trimera uzgali un cieši pievelciet ietvara uzgriezni ar vienu uzgriežņatslēgu, ar otru uzgriežņatslēgu turot kātu.

► **Att.5:** 1. Pievelciet 2. Atskrūvējiet vaļīgāk 3. Kāts 4. Ietvara uzgrieznis

Ar vienu uzgriežņatslēgu

Ietvara konusā līdz galam ievietojiet trimera uzgali un cieši pievelciet ietvara uzgriezni ar uzgriežņatslēgu, vienlaikus spiežot uz vārpstas bloķētāja.

► **Att.6:** 1. Pievelciet 2. Atskrūvējiet vaļīgāk 3. Vārpstas bloķētājs 4. Ietvara uzgrieznis

Lai noņemtu trimera uzgali, izpildiet iepriekš aprakstītās darbības pretējā secībā.

Ietvara konusa nomaiņa

▲UZMANĪBU: Uzstādiet trimera uzgalim, ko paredzēts izmantot, pareizā izmēra ietvara konusu.

▲UZMANĪBU: Nepievelciet ietvara uzgriezni, ja nav ievietots trimera uzgalis, jo pretējā gadījumā ietvara konuss varētu salūzt.

1. Atskrūvējiet un noņemiet ietvara uzgriezni.
 2. Uzstādi ietvara konusu nomainiet pret vajadzīgo ietvara konusu.
 3. Pieskrūvējiet vietā ietvara uzgriezni.
- **Att.7:** 1. Ietvara konuss 2. Ietvara uzgrieznis

EKSPLUATĀCIJA

⚠UZMANĪBU: Darbarīku vienmēr turiet cieši ar vienu roku uz korpusa. Nepieskarieties metāla daļai.

Pamatnei

⚠BRĪDINĀJUMS: Pirms darbarīka izmantošanas ar pamatni vienmēr uzstādiet putekļsūcēja uzgali pie pamatnes.

► **Att.8:** 1. Putekļsūcēja uzgali 2. Spārnskrūve 3. Pamatne

1. Darbarīka pamatni uzlieciet uz apstrādājamā materiāla tā, lai trimera uzgali nepieskartos materiālam.
 2. Ieslēdziet darbarīku un nogaidiet, līdz apgriezējmašīnas uzgali sasniedz pilnu ātrumu.
 3. Virziet darbarīku pa apstrādājamā materiāla virsmu, turot pamatni cieši klāt pie virsmas, līdz frēzēšana ir pabeigta.
- **Att.9**

Apgriezot malas, apstrādājamā materiāla virsmai ir jābūt apgriezējmašīnas uzgaļa kreisajā pusē padeves virzienā.

► **Att.10:** 1. Apstrādājamais materiāls 2. Uzgaļa griešanās virziens 3. Skats no darbarīka augšpusē 4. Padeves virziens

Izmantojot taisnā griezuma vadotni vai apgriezējmašīnas vadotni, uzstādiet to tā, lai tā būtu labajā pusē, skatoties padeves virzienā. Tas palīdzēs to saglabāt vienā līmenī ar apstrādājamā materiāla malu.

► **Att.11:** 1. Padeves virziens 2. Uzgaļa griešanās virziens 3. Apstrādājamais materiāls 4. Taisnā griezuma vadotne

PIEZĪME: Ja darbarīku uz priekšu virza pārāk ātri, iespējams, pasliktināsies griezuma kvalitāte vai arī radīsies frēzes uzgaļa vai apgriezējmašīnas bojājumi. Ja darbarīku uz priekšu virza pārāk lēni, var sadedzināt vai sabojāt griezumu. Pareizais padeves ātrums ir atkarīgs no uzgaļa izmēra, apstrādājamā materiāla veida un griezuma dziļuma. Pirms sākat griezt apstrādājamo materiālu, ieteicams parauga griezum, izmantojot koka atgriezuma gabalu. Tas precīzi parādīs, kā griezum izskatīsies, kā arī dos iespēju pārbaudīt izmērus.

⚠UZMANĪBU: Pārmērīgi smaga frēzēšana var pārslodot motoru vai apgrūtināt darbarīka vadību, tāpēc, iegriežot rievu, frēzēšanas dziļums vienā reizē nedrīkst būt lielāks par 3 mm. Ja vēlaties rievu griezt dziļāk par 3 mm, dariet to vairākās reizēs ar aizvien lielākiem uzgaļa dziļuma iestatījumiem.

Pamatne (sveķu)

Papildu piederumi

Attēlā tālāk parādīta pamatnes (sveķu) kā papildaprīkojuma izmantošana.

► **Att.12:** 1. Saspiedējskrūve

Novietojiet darbarīku uz pamatnes (sveķu) un pievelciet ar roku saspiedējskrūvi, kad trimera uzgali ir izvirsis vēlāmajā pozīcijā.

Izmantošanas norādes skatiet pamatnes lietošanas instrukcijā.

Šablona vadotne

Papildu piederumi

Šablona vadotnei ir uzdevums, caur kuru virzās apgriezējmašīnas uzgali, tādējādi darbarīku iespējams lietot ar šablona paraugiem.

► **Att.13**

1. Atlaidiet skrūves un noņemiet pamatnes aizsargu.

► **Att.14:** 1. Pamatnes aizsargs 2. Skrūves

2. Novietojiet šablona vadotni uz pamatnes un uzlieciet atpakaļ pamatnes aizsargu. Pēc tam, pievelkot skrūves, nostipriniet pamatnes aizsargu.

3. Pie apstrādājamā materiāla piestipriniet šablonu. Novietojiet darbarīku uz šablona un pārvietojiet to, šablona vadotnei slīdot gar šablona malu.

► **Att.15:** 1. Apgriezējmašīnas uzgali 2. Pamatne 3. Pamatnes aizsargs 4. Šablons 5. Apstrādājamais materiāls 6. Šablona vadotne

PIEZĪME: Apstrādājamais materiāls tiks izgriezts izmērā, kas nedaudz atšķiras no šablona. Paredziet attālumu (X) starp apgriezējmašīnas uzgali un šablona vadotnes ārpusi. Attālumu (X) var aprēķināt ar šādu vienādojumu:

Attālums (X) = (šablona vadotnes ārējais diametrs – apgriezējmašīnas uzgaļa diametrs)/2

Taisnā griezuma vadotne

Papildu piederumi

Taisnā griezuma vadotne ir noderīga taisniem griezumiem, veidojot nošķēlumus vai rievu.

► **Att.16**

1. Vadplāksni ar skrūvi un spārnuzgriezni pieskrūvējiet pie taisnā griezuma vadotnes.

► **Att.17:** 1. Skrūve 2. Vadplāksne 3. Taisnā griezuma vadotne 4. Spārnuzgrieznis

2. Ar saspiedējskrūvi pieskrūvējiet taisnā griezuma vadotni.

► **Att.18:** 1. Spilējuma skrūve 2. Taisnā griezuma vadotne 3. Spārnuzgrieznis 4. Pamatne

3. Atlaidiet taisnā griezuma vadotnes spārnuzgriezni un noregulējiet attālumu starp trimera uzgali un taisnā griezuma vadotni. Kad vēlāmais attālums noregulēts, stingri pievelciet spārnuzgriezni.

4. Griešanas darbības gaitā darbarīku pārvietojiet tā, lai taisnā griezuma vadotne pilnībā balstītos uz apstrādājamā materiāla malas.

Ja attālums starp apstrādājamā materiāla malu un frēzēšanas stāvokli taisna griezuma vadotnei ir pārāk liels vai ja apstrādājamā materiāla mala nav taisna, tad taisnā griezuma vadotni nevar izmantot. Šādā gadījumā pie apstrādājamā materiāla stingri nostipriniet taisnu dēli un izmantojiet to kā vadotni apgriezējmašīnas pamatnei. Darbarīku virziet bulviņas virzienā.

► **Att.19**

Apļveida griezums

Apļveida griezumu iespējams paveikt, ja taisnā griezuma vadotni un vadplāksni uzstādīsīt tā, kā parādīts attēlos.

Min. un maks. griežamo apļu rādiuss (attālums starp apļa centru un trimera uzgaļa centru) ir šāds:

Min.: 70 mm

Maks.: 221 mm

Griežot apļus, kuru rādiuss ir robežās no 70 mm līdz 121 mm

► **Att.20:** 1. Spārnuzgrieznis 2. Vadplāksne 3. Taisnā griezuma vadotne 4. Centra atvere 5. Skrūve

Griežot apļus, kuru rādiuss ir robežās no 121 mm līdz 221 mm

► **Att.21:** 1. Spārnuzgrieznis 2. Vadplāksne 3. Taisnā griezuma vadotne 4. Centra atvere 5. Skrūve

PIEZĪME: Ar šo vadotni nav iespējams griezt apļus, kuru rādiuss ir robežās no 172 mm līdz 186 mm.

1. Savietojiet taisnā griezuma vadotnes centra atveri ar izgriezāmā apļa centru.

► **Att.22:** 1. Nagla 2. Centra atvere 3. Taisnā griezuma vadotne

2. Lai nostiprinātu taisno vadotni, centra atverē ievietojiet naglu, kuras diametrs nepārsniedz 6 mm.

3. Darbarīku grieziet ap naglu pulksteņrādītāju kustības virzienā.

Apgriešanas vadotne

Papildu piederumi

Ar apgriešanas vadotni var viegli veikt apgriešanu, lokveida griezumus mēbeļu finierī un tamlīdzīgas darbības. Vadotnes veltnītis ripo pa izliekumu un nodrošina precīzu griezumu.

► **Att.23**

1. Ar saspiedējskrūvi (A) pieskrūvējiet pie pamatnes apgriezējmašīnas vadotni un vadotnes turētāju.

2. Atlaidiet spīlējuma skrūvi (B) un, griežot regulēšanas skrūvi (1 mm apgrieziena), noregulējiet attālumu starp apgriezējmašīnas uzgali un apgriešanas vadotni. Kad attālums ir vēlamais, pievelciet spīlējuma skrūvi (B) un nostipriniet apgriešanas vadotni.

► **Att.24:** 1. Regulēšanas skrūve 2. Vadotnes turētājs 3. Apgriešanas vadotne

3. Griešanas darbības gaitā darbarīku pārvietojiet, slīdes veltnīti virzot gar apstrādājamā materiāla malu.

► **Att.25:** 1. Apstrādājamais materiāls

2. Apgriezējmašīnas uzgali 3. Vadotnes veltnītis

Slīpā pamatne

Papildu piederumi

Slīpā pamatne ir paredzēta lamināta lokšņu malu un līdzīgu materiālu apzāģēšanai.

Slīpā pamatne ir ērta nošķēlumiem.

1. Novietojiet darbarīku uz slīpās pamatnes, atbrīvojiet saspiedējskrūves un nolieciet darbarīku vajadzīgajā leņķī.

2. Kad trimera uzgali ir izvirzīts vēlamajā pozīcijā, aizveriet aiztura sviru un pievelciet saspiedējskrūves, kad iestatīts vajadzīgais leņķis.

3. Pie apstrādājamā materiāla stingri piestipriniet taisnu dēli un izmantojiet to kā vadotni slīpajai pamatnei. Darbarīku virziet bulviņas virzienā.

► **Att.26:** 1. Saspiedējskrūves 2. Aiztura svira

Slīpās pamatnes aizsarga izmantošana ar pamatni

No slīpās pamatnes atvienoto slīpās pamatnes aizsargu (kvadrātveida) var uzstādīt pie pamatnes. Pamatnes aizsarga formu var mainīt no apaļas uz kvadrātveida.

1. Noņemiet slīpās pamatnes aizsargu no slīpās pamatnes, atskrūvējot un izņemot četras skrūves.

2. Piestipriniet slīpās pamatnes aizsargu pie pamatnes.

► **Att.27:** 1. Slīpās pamatnes aizsargs 2. Skrūve

Nobīdes pamatne

Papildu piederumi

Nobīdes pamatne ir paredzēta lamināta lokšņu malu un līdzīgu materiālu apzāģēšanai.

Nobīdes pamatne ir parocīga, strādājot šaurās vietās.

► **Att.28**

Darbarīka izmantošana ar nobīdes pamatni

1. Pirms darbarīka uzstādīšanas uz nobīdes pamatnes, noņemiet ietvara uzgriezni un ietvara konusu, atskrūvējot ietvara uzgriezni.

► **Att.29:** 1. Skriemelis 2. Ietvara uzgrieznis 3. Ietvara konuss

2. Uzstādiat skriemeli uz darbarīka, cieši piespiežot vārpstas bloķētāju un ar uzgriežņatslēgu cieši pieskrūvējot skriemeli.

► **Att.30:** 1. Uzgriežņatslēga 2. Skriemelis 3. Vārpstas bloķētājs

3. Novietojiet ietvara konusu uz nobīdes pamatnes un pieskrūvējiet ietvara uzgriezni, kā parādīts attēlā.

► **Att.31:** 1. Ietvara uzgrieznis 2. Ietvara konuss

4. Piestipriniet nobīdes pamatni darbarīkam.

► **Att.32**

5. Izmantojot skrūvgriezi, pārlieciet siksnu pāri skriemelim un pārbaudiet, vai viss siksnas platums pilnībā pārklāj skriemeli.

► **Att.33:** 1. Skriemelis 2. Josta

6. Noslēdziet aiztura sviru.

► **Att.34:** 1. Aiztura svira

7. Uzstādiēt trimera uzgali, kā norādīts tālāk.

Novietojiet zemē darbarīku ar nobīdes pamatni. Ievietojiet sešstūru uzgriežņatslēgu nobīdes pamatnes atverē.

Turot sešstūru uzgriežņatslēgu attēlā parādītajā stāvoklī, no otras puses ievietojiet trimera uzgali ietvara konusā, kas atrodas uz nobīdes pamatnes vārpstas, un ar uzgriežņatslēgu cieši pieskrūvējiet ietvara uzgriezni.

► **Att.35:** 1. Uzgriežņatslēga 2. Sešstūru uzgriežņatslēga 3. Trimera uzgals

8. Lai noņemtu trimera uzgali, izpildiet iepriekš aprakstītās darbības pretējā secībā.

Pamatnes lietošana ar nobīdes pamatnes plāksni un roktura stiprinājumu

Lai nodrošinātu lielāku stabilitāti, nobīdes pamatni var izmantot arī ar pamatni un roktura stiprinājumu (papildaprīkojums).

► **Att.36**

1. Atskrūvējiet skrūves un noņemiet augšdaļu no nobīdes pamatnes. Novietojiet malā nobīdes pamatnes augšdaļu.

► **Att.37:** 1. Skrūves 2. Nobīdes pamatnes plāksne 3. Nobīdes pamatnes augšdaļa

2. Piestipriniet nobīdes pamatnes plāksni ar četrām skrūvēm un roktura stiprinājumu ar divām skrūvēm pie nobīdes pamatnes plāksnes. Pieskrūvējiet stieņveida rokturi (papildpiederums) pie roktura stiprinājuma. Lai izmantotu darbarīku citādi, pie roktura stiprinājuma var uzstādīt no iegremdēšanas pamatnes (papildpiederums) noņemto apaļo rokturi. Lai uzstādītu apaļo rokturi, novietojiet to uz roktura stiprinājuma un piestipriniet ar skrūvi.

Ar stieņveida rokturi

► **Att.38:** 1. Stieņveida rokturis 2. Roktura stiprinājums 3. Nobīdes pamatnes plāksne

Ar apaļo rokturi

► **Att.39:** 1. Skrūve 2. Apaļais rokturis 3. Roktura stiprinājums

Darbarīka izmantošana ar iegremdēšanas pamatni

Papildu piederumi

⚠UZMANĪBU: Izmantojot darbarīku kā frēzmašīnu, cieši turiet to ar abām rokām.

1. Lai izmantotu darbarīku kā frēzmašīnu, uzstādiēt darbarīku pie iegremdēšanas pamatnes (papildpiederums), pilnībā nospiežot to uz leju. Atbilstoši jūsu darbam iespējams izmantot apaļo rokturi vai stieņveida rokturi (papildpiederums).

► **Att.40:** 1. Iegremdēšanas pamatne 2. Stieņveida rokturis

2. Lai izmantotu stieņveida rokturi (papildpiederums), atskrūvējiet skrūvi un noņemiet apaļo rokturi.

► **Att.41:** 1. Skrūve 2. Apaļais rokturis

3. Pieskrūvējiet stieņveida rokturi pamatnei.

► **Att.42:** 1. Stieņveida rokturis

Frēzēšanas dziļuma regulēšana, izmantojot iegremdēšanas pamatni (papildpiederums)

⚠UZMANĪBU: Eksploataācijas laikā darbarīku vienmēr cieši turiet aiz abiem rokturiem.

► **Att.43:** 1. Regulēšanas poga 2. Aiztura svira 3. Dziļuma rādītājs 4. Aiztura balsta uzstādīšanas uzgrieznis 5. Ātrās padeves poga 6. Aiztura stienis 7. Aiztura bloks 8. Regulēšanas sešstūru bultskrūve

1. Darbarīku novietojiet uz līdzenas virsmas. Atļaidiet aiztura sviru un nolaidiet darbarīka korpusu, līdz trimera uzgals pieskaras plakanajai virsmai. Nostipriniet aiztura sviru, lai nofiksētu darbarīka korpusu.

2. Pagrieziet aiztura balsta uzstādīšanas uzgriezni pretēji pulksteņrādītāju kustības virzienam. Nolaidiet aiztura balstu, līdz tas saskaras ar regulēšanas sešstūru bultskrūvi. Savietojiet dziļuma rādītāju ar iedaļu „0”. Frēzēšanas dziļumu uz skalas parāda dziļuma rādītājs.

3. Nospiežot ātrās padeves pogu, paceliet aiztura balstu, līdz sasniegts vēlamais frēzēšanas dziļums. Ļoti precīzu frēzēšanas dziļumu var noregulēt, pagriežot regulēšanas rokturi (1 mm, ja pagriežat vienreiz).

4. Pagriežot aiztura balsta uzstādīšanas uzgriezni pulksteņrādītāju kustības virzienā, varat stingri pievilkt aiztura balstu.

5. Tagad iepriekš noteikto frēzēšanas dziļumu var iegūt, atlaižot aiztura sviru un tad nolaižot darbarīka korpusu, līdz aiztura balsts saskaras ar aiztura bloka regulēšanas bultskrūvi.

6. Darbarīka pamatni uzlieciet uz apstrādājamā materiāla tā, lai trimera uzgals nepieskartos materiālam.

7. Ieslēdziet darbarīku un nogaidiet, līdz trimera uzgals sasniedz pilnu ātrumu.

8. Nolaidiet darbarīka korpusu un bīdiēt darbarīku uz priekšu pa apstrādājamā materiāla virsmu, turot tā pamatni vienā līmenī ar virsmu un vienmērīgi virzoties uz priekšu, līdz frēzēšana pabeigta.

Apgrīžot malas, apstrādājamā materiāla virsmai ir jābūt trimera uzgaļa kreisajā pusē padeves virzienā.

► **Att.44:** 1. Apstrādājamais materiāls 2. Uzgaļa griešanās virziens 3. Skats no darbarīka augšpusē 4. Padeves virziens

Izmantojot taisnā griezuma vadotni vai apgrīžējmašīnas vadotni, uzstādiēt to tā, lai tā būtu labajā pusē, skatoties padeves virzienā. Šādi darbarīku būs vieglāk noturēt cieši klāt apstrādājamā materiāla malai.

► **Att.45:** 1. Padeves virziens 2. Uzgaļa griešanās virziens 3. Apstrādājamais materiāls 4. Taisnā griezuma vadotne

PIEZĪME: Ja darbarīku uz priekšu virza pārāk ātri, iespējams, pasliktināsies griezuma kvalitāte vai arī radīsies trimera uzgaļa vai motora bojājumi. Ja darbarīku uz priekšu virza pārāk lēni, griezumu var sadedzināt vai sabojāt. Pareizais padeves ātrums ir atkarīgs no trimera uzgaļa izmēra, apstrādājamā materiāla veida un frēzēšanas dziļuma. Pirms sākat frēzēt apstrādājamo materiālu, ieteicams veikt parauga griezumu, izmantojot koka atgriezuma gabalu. Tas precīzi parādīs, kā frēzējums izskatīsies, kā arī dos iespēju pārbaudīt izmērus.

Vadotnes turētāja taisnā griezuma vadotne

Papildu piederumi

Taisnā griezuma vadotne ir noderīga taisniem griezumiem, veidojot nošķēlumus vai rievās.

- **Att.46:** 1. Skrūve 2. Vadotnes turētājs
3. Spārnuzgrieznis (A) 4. Skrūve
5. Spārnuzgrieznis (B) 6. Vadplāksne
7. Taisnā griezuma vadotne 8. Spārnskrūves

1. Pieskrūvējiet taisnā griezuma vadotni vadotnes turētājam (papildpiederums) ar skrūvi un spārnuzgriezni (A).
2. Ievietojiet vadotnes turētāju iegremdēšanas pamatnes atverēs un pieskrūvējiet ar spārnskrūvēm.
3. Lai noregulētu attālumu starp trimera uzgali un taisnā griezuma vadotni, atskrūvējiet spārnuzgriezni (B). Kad vēlamais attālums panākts, pieskrūvējiet spārnuzgriezni (B), lai nostiprinātu taisnā griezuma vadotni tai paredzētajā vietā.

Taisnā griezuma vadotne

Papildu piederumi

Taisnā griezuma vadotne ir noderīga taisniem griezumiem, veidojot nošķēlumus vai rievās.

► **Att.47**

1. Ievietojiet vadotnes iegremdēšanas pamatnes atverēs.
- **Att.48:** 1. Vadotne 2. Spārnuzgrieznis 3. Taisnā griezuma vadotne
2. Noregulējiet attālumu starp trimera uzgali un taisnā griezuma vadotni. Kad vēlamais attālums panākts, pieskrūvējiet spārnuzgriežņus, lai nostiprinātu taisnā griezuma vadotni tai paredzētajā vietā.
3. Griešanas darbības gaitā darbarīku pārvietojiet tā, lai taisnā griezuma vadotne pilnībā balsfītos uz apstrādājamā materiāla malas.

Ja attālums starp apstrādājamā materiāla malu un frēzēšanas stāvokli taisna griezuma vadotnei ir pārāk liels vai ja apstrādājamā materiāla mala nav taisna, tad taisnā griezuma vadotni nevar izmantot. Šajā gadījumā pie apstrādājamā materiāla stingri nostipriniet taisnu dēli un izmantojiet to kā vadotni pret frēzmašīnas pamatni. Darbarīku virziet bultiņas virzienā.

► **Att.49**

Šablona vadotne

Papildu piederumi

Šablona vadotnei ir uzdeva, caur kuru virzās apgriezējmašīnas uzgalis, tādējādi darbarīku iespējams lietot ar šablona paraugiem.

► **Att.50**

1. Atskrūvējiet darbarīka pamatnes skrūves, ievietojiet šablona vadotni un tad pievelciet skrūves.

► **Att.51:** 1. Skrūve 2. Pamatne 3. Šablona vadotne

2. Pie apstrādājamā materiāla piestipriniet šablonu. Novietojiet darbarīku uz šablona un pārvietojiet to, šablona vadotnei sliidot gar šablona malu.

► **Att.52:** 1. Apgriezējmašīnas uzgalis 2. Pamatne 3. Pamatnes aizsargs 4. Šablons 5. Apstrādājamais materiāls 6. Šablona vadotne

PIEZĪME: Apstrādājamais materiāls tiks izgriezts izmērā, kas nedaudz atšķiras no šablona. Paredziet attālumu (X) starp apgriezējmašīnas uzgali un šablona vadotnes ārpusi. Attālumu (X) var aprēķināt ar šādu vienādojumu:

Attālums (X) = (šablona vadotnes ārējais diametrs – apgriezējmašīnas uzgaļa diametrs)/2

Putekļsūcēja uzgaļu komplekti

Putekļsūcēja uzgali izmantojiet putekļu izsūkšanai.

Pamatnei

Ar spārnskrūvi piestipriniet putekļsūcēja uzgali darbarīka pamatnei.

► **Att.53:** 1. Putekļsūcēja uzgalis 2. Spārnskrūve 3. Pamatne

Iegremdēšanas pamatnei

Papildu piederumi

1. Ar skrūvi piestipriniet putekļsūcēja uzgali pie iegremdēšanas pamatnes tā, lai putekļsūcēja uzgaļa izvirkējums sakristu ar robu iegremdēšanas pamatnē.
- **Att.54:** 1. Putekļsūcēja uzgalis 2. Spārnskrūve 3. Iegremdēšanas pamatne
2. Pievienojiet putekļsūcēju pie putekļsūcēja uzgaļa.

► **Att.55**

APKOPE

▲UZMANĪBU: Pirms veikt pārbaudi vai apkopi, vienmēr pārliecinieties, ka darbarīks ir izslēgts un atvienots no barošanas.

IEVĒRĪBAI: Nekad neizmantojiet gazoliņu, benzīnu, atšķaidītāju, spirtu vai līdzīgus šķidrumus. Tas var radīt izbalēšanu, deformāciju vai plaisas.

Lai saglabātu izstrādājuma DROŠU un UZTICAMU darbību, remontdarbus, apkopi un regulēšanu uzticiet veikt tikai Makita pilnvarotam vai rūpnīcas apkopes centram, un vienmēr izmantojiet tikai Makita rezerves daļas.

Ogles suku nomaīņa

► Att.56: 1. Robežas atzīme

Regulāri pārbaudiet ogles sukuas.

Kad ogles sukuas ir nolietojušās līdz robežas atzīmei, nomainiet tās. Turiet ogles sukuas tīras un pārbaudiet, vai tās brīvi ievietojas turētājos. Abas ogles sukuas jānomaina vienlaikus. Izmantojiet tikai identiskas ogles sukuas.

1. Lai noņemtu sukuas turētāja vāciņus, izmantojiet skrūvgriezi.

2. Izņemiet nolietojušās ogles sukuas, ievietojiet jaunas un nostipriniet sukuas turētāja vāciņus.

► Att.57: 1. Sukuas turētāja vāciņš

PAPILDU PIEDERUMI

⚠UZMANĪBU: Šādi piederumi un papildierīces tiek ieteiktas lietošanai ar šajā rokasgrāmatā aprakstīto Makita darbarīku. Izmantojot citus piederumus vai papildierīces, var tikt radīta traumu gūšanas bīstamība. Piederumu vai papildierīci izmantojiet tikai paredzētajam mērķim.

Ja jums vajadzīga palīdzība vai precīzāka informācija par šiem piederumiem, vērsieties savā tuvākajā Makita apkopes centrā.

- Taisnā griezuma un rievu veidošanas uzgaļi
- Malu uzgaļi
- Lamināta uzgaļi
- Taisnā griezuma vadotne
- Apgriezējmašīnas vadotne
- Pamatne (sveķu)
- Slīpā pamatne
- Iegremdēšanas pamatne
- Nobīdes pamatne
- Šablona vadotne
- Ietvara konuss
- Uzgriezņatslēga
- Putekļsūcēja uzgalis
- Virzošā sliede
- Vadslīdes pārejas komplekts
- Taisnā griezuma vadotne ar mikroregulēšanu
- Sānu rokturis
- Roktura stiprinājums

PIEZĪME: Daži sarakstā norādītie izstrādājumi var būt iekļauti instrumenta komplektācijā kā standarta piederumi. Tie dažādās valstīs var būt atšķirīgi.

Apgriezējmašīnas uzgaļi

Taisnā griezuma uzgalis

► Att.58

D	A	L1	L2
6	20	50	15
1/4 collas			
8	8	60	25
6		50	18
1/4 collas			
6	6	50	18
1/4 collas			

Mērvienība: mm

U formas rievu griešanas uzgalis

► Att.59

D	A	L1	L2	R
6	6	60	28	3
1/4 collas				

Mērvienība: mm

V formas rievu griešanas uzgalis

► Att.60

D	A	L1	L2	θ
1/4 collas	20	50	15	90°

Mērvienība: mm

Urbja smailes vienlīmeņa apgriešanas uzgalis

► Att.61

D	A	L1	L2	L3
8	8	60	20	35
6	6	60	18	28
1/4 collas				

Mērvienība: mm

Urbja smailes dubultas vienlīmeņa apgriešanas uzgalis

► Att.62

D	A	L1	L2	L3	L4
8	8	80	95	20	25
6	6	70	40	12	14
1/4 collas					

Mērvienība: mm

Stūra noapaļošanas uzgalis**► Att.63**

D	A1	A2	L1	L2	L3	R
6	25	9	48	13	5	8
1/4 collas						
6	20	8	45	10	4	4
1/4 collas						

Mērvienība: mm

Nošķeluma uzgalis**► Att.64**

D	A	L1	L2	L3	θ
6	23	46	11	6	30°
6	20	50	13	5	45°
6	20	49	14	2	60°

Mērvienība: mm

Iedobuma profilējuma uzgalis**► Att.65**

D	A	L1	L2	R
6	20	43	8	4
6	25	48	13	8

Mērvienība: mm

Lodišu gultņu vienlīmeņa apgriešanas uzgalis**► Att.66**

D	A	L1	L2
6	10	50	20
1/4 collas			

Mērvienība: mm

Lodišu gultņu stūra noapaļošanas uzgalis**► Att.67**

D	A1	A2	L1	L2	L3	R
6	15	8	37	7	3,5	3
6	21	8	40	10	3,5	6
1/4 collas	21	8	40	10	3,5	6

Mērvienība: mm

Lodišu gultņu nošķeluma uzgalis**► Att.68**

D	A1	A2	L1	L2	θ
6	26	8	42	12	45°
1/4 collas					
6	20	8	41	11	60°

Mērvienība: mm

Lodišu gultņu profilējuma uzgalis**► Att.69**

D	A1	A2	A3	L1	L2	L3	R
6	20	12	8	40	10	5,5	4
6	26	12	8	42	12	4,5	7

Mērvienība: mm

Lodišu gultņu iedobuma profilējuma uzgalis**► Att.70**

D	A1	A2	A3	A4	L1	L2	L3	R
6	20	18	12	8	40	10	5,5	3
6	26	22	12	8	42	12	5	5

Mērvienība: mm

Lodišu gultņu romiešu stila profilējuma uzgalis**► Att.71**

D	A1	A2	L1	L2	L3	R1	R2
6	20	8	40	10	4,5	2,5	4,5
6	26	8	42	12	4,5	3	6

Mērvienība: mm

SPECIFIKACIJOS

Modelis:	RT0702C
Įvorės griebtuvo dydis	6 mm, 8 mm arba 1/4"
Be apkrovos	10 000–34 000 min ⁻¹
Bendrasis aukštis	210 mm
Grynasis svoris	1,8–2,8 kg
Saugos klasė	▣/II

- Atliekame tęsinius tyrimus ir nuolat tobuliname savo gaminius, todėl čia pateikiamos specifikacijos gali būti keičiamos be įspėjimo.
- Skirtingose šalyse specifikacijos gali skirtis.
- Svoris gali priklausyti nuo priedo (-ų). Lengviausias ir sunkiausias deriniai pagal EPTA 2014 m. sausio mėn. procedūrą yra nurodyti lentelėje.

Numatytoji naudojimo paskirtis

Šis įrankis yra skirtas medienai, plastmasei ir panašioms medžiagoms apdailinti ir profiluoti.

Elektros energijos tiekimas

Įrenginiui turi būti tiekama tokios įtampos elektros energija, kaip nurodyta duomenų lentelėje; įrenginys veikia tik su vienfazė kintamąja srove. Jie yra dvigubai izoliuoti, todėl gali būti naudojami prijungus prie elektros lizdo be žemimo laido.

Triukšmas

Įprastas triukšmo A lygis, nustatytas pagal EN62841-2-17:

Garso slėgio lygis (L_{pA}): 82 dB (A)

Garso galios lygis (L_{WA}): 93 dB (A)

Paklaida (K): 3 dB (A)

PASTABA: Paskelbta (-os) triukšmo reikšmė (-ės) nustatyta (-os) pagal standartinį testavimo metodą ir jį galima naudoti vienam įrankiui palyginti su kitu.

PASTABA: Paskelbta (-os) triukšmo reikšmė (-ės) taip pat gali būti naudojama (-os) norint preliminariai įvertinti triukšmo poveikį.

⚠️ JSPĖJIMAS: Dėvėkite ausų apsaugą.

⚠️ JSPĖJIMAS: Faktiškai naudojant elektrinį įrankį, keliamo triukšmo dydis gali skirtis nuo paskelbtos (-ų) reikšmės (-ių), priklausomai nuo būdų, kuriais yra naudojamas šis įrankis, ir ypač nuo to, kokio tipo ruošinys apdirbamas.

⚠️ JSPĖJIMAS: Siekdami apsaugoti operatorių, būtinai įvertinkite saugos priemones, remdamiesi vibracijos poveikio įvertinimu esant faktinėms naudojimo sąlygoms (atsižvelgdami į visas darbo ciklo dalis, pavyzdžiui, ne tik kiek laiko įrankis veikia, bet ir kiek kartų jis yra išjungiamas bei kai jis veikia be apkrovų).

Vibracija

Vibracijos bendroji vertė (triašio vektoriaus suma) nustatyta pagal EN62841-2-17 standartą:

Darbo režimas: gręžimas be kalimo

Vibracijos emisija (a_h): 2,5 m/s² arba mažiau

Paklaida (K): 1,5 m/s²

PASTABA: Paskelbta (-os) vibracijos bendroji (-osios) reikšmė (-ės) nustatyta (-os) pagal standartinį testavimo metodą ir jį galima naudoti vienam įrankiui palyginti su kitu.

PASTABA: Paskelbta (-os) vibracijos bendroji (-osios) reikšmė (-ės) taip pat gali būti naudojama (-os) norint preliminariai įvertinti vibracijos poveikį.

⚠️ JSPĖJIMAS: Faktiškai naudojant elektrinį įrankį, keliamos vibracijos dydis gali skirtis nuo paskelbtos (-ų) reikšmės (-ių), priklausomai nuo būdų, kuriais yra naudojamas šis įrankis, ir ypač nuo to, kokio tipo ruošinys apdirbamas.

⚠️ JSPĖJIMAS: Siekdami apsaugoti operatorių, būtinai įvertinkite saugos priemones, remdamiesi vibracijos poveikio įvertinimu esant faktinėms naudojimo sąlygoms (atsižvelgdami į visas darbo ciklo dalis, pavyzdžiui, ne tik kiek laiko įrankis veikia, bet ir kiek kartų jis yra išjungiamas bei kai jis veikia be apkrovų).

EB atitikties deklaracija

Tik Europos šalims

EB atitikties deklaracija yra pridedama kaip šio instrukcijų vadovo A priedas.

SAUGOS ĮSPĖJIMAI

Bendrieji įspėjimai dirbant elektriniais įrankiais

▲ ĮSPĖJIMAS: Perskaitykite visus saugos įspėjimus, instrukcijas, iliustracijas ir techninius duomenis, pateiktus kartu su šiuo elektriniu įrankiu. Nesilaikant visų toliau išvardytų instrukcijų galima patirti elektros smūgi, gali kilti gaisras ir (arba) galima sunkiai susižaloti.

Išsaugokite visus įspėjimus ir instrukcijas, kad galėtumėte jas peržiūrėti ateityje.

Terminas „elektrinis įrankis“ pateiktuose įspėjimuose reiškia į maitinimo tinklą jungiamą (laidinį) elektrinį įrankį arba akumulatoriaus maitinamą (belaidį) elektrinį įrankį.

Saugos įspėjimai dėl profiliavimo staklių naudojimo

1. Laikykite elektrinį įrankį tik už izoliuotų, laikyti skirtų vietų, nes pjaustytuvas gali užkliudyti savo paties laidą. Įpjovus laidą, kuriuo teka srovė, įtampa gali būti perduota neizoliuotoms metalinėms elektrinio įrankio dalims ir operatorius gali gauti elektros smūgį.
2. Ruošinį ant stabilios platformos tvirtinkite spaustuvais arba kitais parankiais būdais. Laikant ruošinį rankomis arba atrėmus į save, jis nėra stabilus – galite prarasti kontrolę.
3. Profiliavimo staklių frezos jungiamasis galas turi sutapti su numatytos įvorės griebtuvu.
4. Naudokite tik profiliavimo staklių frezą, kurios vardinis greitis yra bent jau lygus įrankio nurodytam didžiausiam veikimo greičiui.
5. Jei ketinate dirbti ilgai, naudokite klausos apsaugines priemones.
6. Su profiliavimo staklių frezomis elkitės labai atsargiai.
7. Prieš naudodami patikrinkite profiliavimo staklių frezą, ar nėra įtrūkimų ar pažeidimų. Nedelsdami pakeiskite įtrūkusią arba pažeistą frezą.
8. Nepjaukite vinių. Prieš dirbdami apžiūrėkite ruošinį ir išimkite visas vinis.
9. Tvirtai laikykite įrankį.
10. Laikykite rankas toliau nuo sukamųjų dalių.
11. Prieš įjungdami jungiklį, patikrinkite, ar profiliavimo staklių freza neličia ruošinio.
12. Prieš naudodami įrankį su ruošiniu, leiskite jam kurį laiką veikti be apkrovos. Jei pastebėsite vibraciją arba klibėjimą, tai gali rodyti, kad freza netinkamai įstatyta.
13. Atkreipkite dėmesį į profiliavimo staklių frezos sukimosi kryptį ir tiekimo kryptį.
14. Nepalikite veikiančio įrankio. Naudokite įrankį tik laikydami rankomis.
15. Prieš ištraukdami įrankį iš ruošinio, būtinai išjunkite ir palaukite, kol profiliavimo staklių freza visiškai sustos.

16. Nelieskite profiliavimo staklių frezos iškart po naudojimo; jis gali būti itin karštas ir nudeginti odą.
17. Saugokitės, kad neišteptumėte pagrindo skiedikliu, benzinu, alyva ir pan. Jie gali suskaldyti pagrindą.
18. Kai kuriose medžiagose esama cheminių medžiagų, kurios gali būti nuodingos. Saugokitės, kad neįkvėptumėte dulkių ir nesiliestumėte oda. Laikykitės medžiagų tiekėjo saugos duomenų.
19. Atsižvelgdami į apdirbamą medžiagą ir darbo pobūdį, būtinai užsidėkite kaukę nuo dulkių / respiratorių.
20. Padėkite įrankį stabilioje vietoje. Priešingu atveju jis gali nukristi ir sužaloti.

SAUGOKITE ŠIAS INSTRUKCIJAS.

▲ ĮSPĖJIMAS: NELEISKITE, kad patogumas ir gaminio pažinimas (įgyjamas pakartotinai naudojant) susilpnintų griežtą saugos taisyklių, taikytinų šiam gaminiui, laikymąsi. Dėl NETINKAMO NAUDOJIMO arba saugos taisyklių, kurios pateiktos šioje instrukcijoje, nesilaikymo galima rimtai susižeisti.

VEIKIMO APRAŠYMAS

▲ PERSPĖJIMAS: Prieš pradėdami reguliuoti arba tikrinti įrankio veikimą, visuomet būtinai išjunkite įrankį ir atjunkite jį nuo maitinimo tinklo.

Profiliavimo staklių frezos išsikišimo reguliavimas

Norėdami pareguliuoti antgalio išsikišimą, atidarykite fiksavimo svirtį ir, sukdami reguliavimo varžtą, pakreipkite pagrindą norimu kampu aukštyn arba žemyn. Nustatę užtvirtinkite pagrindą padėti, tvirtai uždarydami fiksavimo svirtį.

- **Pav.1:** 1. Pagrindas 2. Skalė 3. Frezos išsikišimas
4. Fiksavimo svirtis 5. Reguliavimo varžtas
6. Šešiakampė varžlė

PASTABA: Jeigu uždarius fiksavimo svirtį įrankis vis tiek neužtvirtinamas, priveržkite šešiakampę varžlę, tada uždarykite fiksavimo svirtį.

Jungiklio veikimas

▲ PERSPĖJIMAS: Prieš įjungdami įrenginio laido kištuką į tinklą visada patikrinkite, ar įrenginys išjungtas naudojant jungiklį.

Norėdami įjungti įrenginį, spauskite jungiklio dalį, pažymėtą „I“. Norėdami sustabdyti įrenginį, spauskite jungiklio dalį, pažymėtą „O“.

- **Pav.2:** 1. Jungiklis

Elektroninė funkcija

Prietaise yra elektroninė funkcija paprastam naudojimui.

Indikacinė lemputė

► **Pav.3:** 1. Indikatoriaus lemputė

Ijungus įrankį, užsidega žalia įjungimo indikacinė lemputė. Jei indikacinė lemputė neužsidega, gali būti nutrūkęs maitinimo laidas arba perdegusi indikacinė lemputė. Jei indikacinė lemputė šviečia, bet įrankis neveikia, nors yra įjungtas, gali būti susidėvėję angliniai šepetėliai arba sugedęs valdiklis, variklis ar ĮJUNGIMO / IŠJUNGIMO jungiklis.

Apsauga nuo netyčinio pakartotinio paleidimo

Įrankis neįsijungia, kai paspausta jungiklio „I“ pusė, net jei įrankis prijungtas prie maitinimo tinklo. Šiuo metu raudonai mirksi indikacinė lemputė ir rodoma, kad veikia apsauga nuo netyčinio pakartotinio paleidimo.

Norėdami atšaukti apsaugos nuo netyčinio pakartotinio paleidimo funkciją, paspauskite jungiklio „O“ pusę.

Tolygaus įjungimo funkcija

Švelnaus paleidimo funkcija iki minimumo sumažina paleidimo smūgį ir leidžia sklandžiai paleisti įrankį.

Pastovaus greičio reguliavimas

Elektroninis greičio reguliavimas pastoviam greičiui užtikrinti.

Galima lygiai šlifuoti, nes palaikomas vienodas sukimosi greitis, net esant apkrovai.

Greičio reguliavimo ratukas

⚠️ JSPĖJIMAS: Dirbdami nenaudokite greičio reguliavimo ratuko. Operatorius gali paliesti profiliavimo staklių frezų dėl reakcijos jėgos. Taip galima susižaloti.

⚠️ PERSPĖJIMAS: Jeigu įrankiu ilgą laiką be pertraukos dirbama nedideliu greičiu, variklis bus perkrautas ir įrankis suges.

⚠️ PERSPĖJIMAS: Greičio reguliavimo ratuką galima pasukti tik iki 6 ir atgal iki 1. Per jėgą nestumkite jo toliau nei 6 ar 1, nes greičio reguliavimo funkcija gali daugiau neveikti.

Sukant greičio reguliavimo ratuką iki nurodytos nuostatos nuo 1 iki 6, galima reguliuoti greitį.

► **Pav.4:** 1. Greičio reguliavimo ratukas

Greičio reguliavimo ratuką sukant skaičiaus 6 link, greitis didėja. Ratuką sukant skaičiaus 1 link, greitis mažėja.

Tai leidžia pasirinkti idealų greitį optimaliam medžiagos apdorojimui užtikrinti, t. y. greitį galima tinkamai nustatyti, kad tikytų atsižvelgiant į medžiagą ir frezos skersmenį.

Žr. toliau pateiktą lentelę, kad pamatytumėte ryšį tarp skaičių nustatymų ant ratuko ir apytikslį įrankio greitį.

Skaičius	min ⁻¹
1	10 000
2	12 000
3	17 000
4	22 000
5	27 000
6	34 000

SURINKIMAS

⚠️ PERSPĖJIMAS: Prieš ką nors darydami su įrankiu, visada patikrinkite, ar jis išjungtas, o laido kištukas ištrauktas iš elektros lizdo.

Profiliavimo antgalių įdėjimas ir išėmimas

⚠️ PERSPĖJIMAS: Neužveržkite įvorės veržlės, prieš tai neįkišę profiliavimo staklių frezos, nes įvorės kūgis sulūš.

⚠️ PERSPĖJIMAS: Naudokite tik su įrankiu pateiktus veržliarakčius.

Profiliavimo staklių frezą galima pritvirtinti dviem būdais. Naudokite bet kurį būdą.

Naudojant du veržliarakčius

Iki galo į įvorės kūgį įkiškite profiliavimo staklių frezą ir tvirtai vienu veržliarakčiu užveržkite įvorės veržlę, tuo tarpu kitu veržliarakčiu laikykite kakliuką.

► **Pav.5:** 1. Priveržti 2. Atlaisvinti 3. Kakliukas 4. Įvorės veržlė

Naudojant vieną veržliaraktį

Iki galo į įvorės kūgį įkiškite profiliavimo staklių frezą ir tvirtai veržliarakčiu priveržkite įvorės veržlę, tuo pačiu metu spausdami ašies fiksatorių.

► **Pav.6:** 1. Priveržti 2. Atlaisvinti 3. Ašies fiksatorius 4. Įvorės veržlė

Jei norite nuimti profiliavimo staklių frezą, atlikite uždėjimo procedūrą atvirkščia tvarka.

Įvorės kūgio keitimas

⚠️ PERSPĖJIMAS: Pasirinktai profiliavimo staklių frezai naudokite tinkamo dydžio įvorės kūgį.

⚠️ PERSPĖJIMAS: Neužveržkite įvorės veržlės, prieš tai neįkišę profiliavimo staklių frezos, antraip sulūš įvorės kūgis.

1. Atlaisvinkite įvorės veržlę ir išimkite.
 2. Pakeiskite sumontuotą įvorės kūgį norimu įvorės kūgiu.
 3. Vėl uždėkite ir užveržkite įvorės veržlę.
- **Pav.7:** 1. Įvorės kūgis 2. Įvorės veržlė

NAUDOJIMAS

⚠ PERSPĖJIMAS: Viena ranka visuomet tvirtai laikykite įrankį už korpuso. Nelieskite metalinės dalies.

Informacija dėl pagrindo

⚠ IŠPĖJIMAS: Prieš naudodami šį įrankį su pagrindu, ant pagrindo visada sumontuokite dulkių ištraukimo antgalį.

► **Pav.8:** 1. Dulkių ištraukimo antgalis 2. Sparnuotoji veržlė 3. Pagrindas

1. Padėkite pagrindą ant ruošinio, kurį pjausite, taip, kad profiliavimo staklių freza ruošinio neliestų.
 2. Įjunkite įrankį ir palaukite, kol profiliavimo staklių freza pradės sukintis visu greičiu.
 3. Stumkite įrankį pirmyn virš ruošinio paviršiaus, pagrindą laikykite lygiai ir tolygiai stumkite į priekį, kol baigsite pjauti.
- **Pav.9**

Pjaunant kraštą, ruošinio paviršius turi būti iš kairės profiliavimo staklių frezos pusės, nukreiptas stūmimo kryptimi.

► **Pav.10:** 1. Ruošiny 2. Frezos sukimosi kryptis 3. Vaizdas iš įrankio viršaus 4. Tiekimo kryptis

Naudodami tiesųjį kreiptuvą arba profiliuotą kreiptuvą, būtina naudokite jį dešinėje pusėje, stūmimo kryptimi. Taip jis bus sutapdintas su ruošinio šonu.

► **Pav.11:** 1. Tiekimo kryptis 2. Frezos sukimosi kryptis 3. Ruošiny 4. Tiesusis kreiptuvus

PASTABA: Per greitai stumiant įrankį į priekį, pjūvis gali būti prastos kokybės arba galima sugadinti profiliavimo staklių frežą ar variklį. Per lėtai stumiant įrankį, pjūvis gali būti nudegintas arba sugadintas. Tinkamas įrankio stūmimo tempas priklauso nuo frezos dydžio, ruošinio rūšies ir pjovimo gylio. Prieš pradėdami pjauti, rekomenduotina atlikti bandomąjį pjūvį, naudojant medienos gabalėlį. Taip tiksliai pamatysite, kaip atrodytų pjūvis, ir galėsite patikrinti matmenis.

⚠ PERSPĖJIMAS: Pernelyg ilgai dirbant, variklis gali būti perkrautas, įrankį gali būti sunku suvaldyti; pjaunant griovelius, pjūvio gylis neturėtų viršyti 3 mm. Jeigu norite pjauti gilesnius nei 3 mm griovelius, atlikite keletą pjūvių, vis padidindami gylio nustatymus.

Pagrindas (guminis)

Pasirenkamas priedas

Kaip papildomą priedą galite naudoti (guminį) pagrindą, kaip parodyta paveikslėlyje.

► **Pav.12:** 1. Suveržimo varžtas

Dėkite įrankį ant pagrindo (guminio) ir užveržkite suveržimo varžtą ties norima profiliavimo staklių frezos iškyša.

Darbo procedūrų ieškokite pagrindo naudojimo informacijoje.

Lekalo kreiptuvus

Pasirenkamas priedas

Lekalo kreiptuvus turi movą, pro kurią praeina profiliavimo staklių freza, todėl profiliavimo įrankiu galima išpjauti modelius pagal lekalus.

► **Pav.13**

1. Atsukite varžtus ir nuimkite pagrindo apsaugą.
- **Pav.14:** 1. Pagrindo apsauga 2. Varžtai
2. Padėkite lekalo kreiptuvą ant pagrindo ir vėl uždėkite pagrindo apsaugą. Tada priveržkite pagrindo apsaugą varžtais.
 3. Pritvirtinkite lekalą prie ruošinio. Dėkite įrankį ant lekalo ir kartu su lekalo kreiptuvu slinkite išilgai lekalo šono.
- **Pav.15:** 1. Profiliavimo staklių freza 2. Pagrindas 3. Pagrindo apsauga 4. Lekalas 5. Ruošiny 6. Lekalo kreiptuvus

PASTABA: Pjoviny bus išpjautas truputį kitokio dydžio nei lekalas. Tarp profiliavimo staklių frezos ir išorinio lekalo kreiptuvo krašto palikite (X) atstumą. (X) atstumą galima apskaičiuoti, naudojant tokią lygtį:
(X) atstumas = (lekalo kreiptuvo išorinis skersmuo - profiliavimo staklių frezos skersmuo) / 2

Tiesusis kreiptuvus

Pasirenkamas priedas

Tiesusis kreiptuvus efektyviai naudojamas tiesiems pjūviams, išpjaunant išėmas arba griovelius.

► **Pav.16**

1. Prie tiesiojo kreiptuvo varžtu ir sparnuotąja veržle pritvirtinkite kreiptuvo plokštę.
- **Pav.17:** 1. Varžtas 2. Kreiptuvo plokštė 3. Tiesusis kreiptuvus 4. Sparnuotoji veržlė
2. Suveržimo varžtu pritvirtinkite tiesiojo kreiptuvo komplektą.
- **Pav.18:** 1. Suveržimo varžtas 2. Tiesusis kreiptuvus 3. Sparnuotoji veržlė 4. Pagrindas
3. Atlaisvinkite sparnuotąją veržlę, esančią ant tiesiojo kreiptuvo komplekto, ir pareguliuokite atstumą tarp profiliavimo staklių frezos ir tiesiojo kreiptuvo. Nustatę norimą atstumą, tvirtai užveržkite sparnuotąją veržlę.
 4. Pjaudami stumkite įrankį su tiesiuoju kreiptuvu, sulygiavę jį su ruošinio kraštu.

Jeigu atstumas tarp ruošinio šono ir pjovimo padėties yra per didelis tiesiam kreiptuvui arba jeigu ruošiny netiesus, tiesiojo kreiptuvo naudoti negalima. Tokiu atveju prie ruošinio tvirtai prispauskite tiesią lentą ir naudokite ją kaip kreiptuvą, atrėmę į profiliavimo staklių pagrindą. Stumkite įrankį rodyklės kryptimi.

► **Pav.19**

Apskritasis pjovimas

Apskrituosius pjūvius galima atlikti kartu sumontavus tiesųjį kreiptuvą ir kreiptuvo plokštę, kaip parodyta paveikslėliuose.

Galima atlikti tokius minimalaus ir maksimalaus spindulio pjūvius (atstumas tarp apskritimo centro ir profiliavimo staklių frezos centro):

Minimalus: 70 mm

Maksimalus: 221 mm

Pjaunant nuo 70 mm iki 121 mm spindulio apskritimus

- **Pav.20:** 1. Sparnuotoji veržlė 2. Kreiptuvo plokštė
3. Tiesusis kreiptuvas 4. Centrinė skylė
5. Varžtas

Pjaunant nuo 121 mm iki 221 mm spindulio apskritimus

- **Pav.21:** 1. Sparnuotoji veržlė 2. Kreiptuvo plokštė
3. Tiesusis kreiptuvas 4. Centrinė skylė
5. Varžtas

PASTABA: Naudojant šį kreiptuvą, negalima pjauti apskritimų, kurių spindulys yra nuo 172 mm iki 186 mm.

1. Sulygiuokite tiesiojo kreiptuvo centrinę skylę su pjaunamo apskritimo centru.

- **Pav.22:** 1. Vinis 2. Centrinė skylė 3. Tiesusis kreiptuvas

2. Į centrinę skylę įkalkite mažesnio nei 6 mm skersmens vinį, kad būtų užtvirtintas tiesusis kreiptuvas.

3. Sukite įrankį aplink vinį pagal laikrodžio rodyklę.

Profilavimo staklių kreiptuvas

Pasirenkamas priedas

Profilavimo kreiptuvu galima lengvai atlikti profilinius, lenktus pjūvius baldams skirtose faneros plokštėse.

Kreiptuvo velenėlis slenka kreive ir užtikrina tikslių pjūvį.

- **Pav.23**

1. Suveržimo varžtu (A) ant pagrindo sumontuokite profilavimo staklių kreiptuvą ir kreiptuvo laikiklį.

2. Atlaisvinkite suveržimo varžtą (B) ir, sukdami reguliavimo varžtą (1 mm/sūkiui), pareguliuokite atstumą tarp profilavimo staklių frezos ir profilavimo kreiptuvo. Nustatę norimą atstumą, užveržkite suveržimo varžtą (B), kad profilavimo staklių kreiptuvas nejudėtų.

- **Pav.24:** 1. Reguliavimo varžtas 2. Kreiptuvo laikiklis
3. Profilavimo staklių kreiptuvas

3. Pjūdami, stumkite įrankį taip, kad kreiptuvo velenėlis slystų ruošinio šonu.

- **Pav.25:** 1. Ruošinys 2. Profilavimo staklių freza
3. Kreiptuvo velenėlis

Pakreipiamas pagrindas

Pasirenkamas priedas

Pakreipiamas pagrindas yra skirtas laminato lakštų ar panašių medžiagų kraštams apdailinti.

Pakreipiamą pagrindą patogiu naudoti kampučių nupjovimui.

1. Padėkite įrankį ant pakreipiamo pagrindo, atlaisvinkite suveržimo varžtus ir pakreipkite įrankį norimu kampu.

2. Uždarykite fiksavimo svirtį ties norima profiliavimo staklių frezos iškyša ir norimu kampu užveržkite suveržimo varžtus.

3. Prie ruošinio tvirtai prispauskite tiesią lentą ir naudokite ją kaip kreiptuvą, atrėmę į pakreipiamą pagrindą. Stumkite įrankį rodyklės kryptimi.

- **Pav.26:** 1. Suveržimo varžtai 2. Fiksavimo svirtis

Pakreipiamo pagrindo apsaugos naudojimas su pagrindu

Nuo pakreipiamo pagrindo nuimtą apsaugą (kvadratinę) galima montuoti ant pagrindo. Pagrindo apsaugos formą galima pakeisti iš apvalios į kvadratinę.

1. Nuimkite pagrindo apsaugą nuo pakreipiamo pagrindo, atsukę ir ištraukę keturis varžtus.

2. Sumontuokite pakreipiamo pagrindo apsaugą ant pagrindo.

- **Pav.27:** 1. Pakreipiamo pagrindo apsauga
2. Varžtas

Slenkamas pagrindas

Pasirenkamas priedas

Slenkamas pagrindas yra skirtas laminato lakštų ar panašių medžiagų kraštams apdailinti.

Slenkamą pagrindą patogiu naudoti siaurose vietose.

- **Pav.28**

Prietaiso naudojimas su slenkamu pagrindu

1. Prieš montuodami įrankį ant slenkamo pagrindo, atsukite įvorės veržlę ir nuimkite įvorės veržlę bei įvorės kūgį.

- **Pav.29:** 1. Skriemulys 2. Įvorės veržlė 3. Įvorės kūgis

2. Sumontuokite skriemulį ant įrankio, paspausdami ašies fiksatorių ir tvirtai užverždami skriemulį veržliarakčiu.

- **Pav.30:** 1. Veržliaraktis 2. Skriemulys 3. Ašies fiksatorius

3. Dėkite įvorės kūgį ir priveržkite įvorės veržlę ant slenkamo pagrindo kaip parodyta paveikslėlyje.

- **Pav.31:** 1. Įvorės veržlė 2. Įvorės kūgis

4. Sumontuokite slenkamą pagrindą ant įrankio.

- **Pav.32**

5. Veržliarakčiu užkabinkite diržą ant skriemulio ir įsitikinkite, kad diržas per visą savo plotį nutiestas virš skriemulio.

► **Pav.33:** 1. Skriemulys 2. Diržas

6. Uždarykite fiksavimo svirtį.

► **Pav.34:** 1. Fiksavimo svirtis

7. Sumontuokite profiliavimo staklių frezą, kaip nurodyta toliau.

Paguldykite įrankį ant slenkamo pagrindo. Įkiškite veržliarakčių į slenkamame pagrinde esančią angą.

Laikydami šešiakampį veržliarakčių taip, kaip parodyta paveikslėlyje, iš priešingos pusės įdėkite profiliavimo staklių frezą į įvorės kūgį, esantį ant slenkamo pagrindo ašies, ir veržliarakčiu tvirtai užveržkite įvorės veržlę.

► **Pav.35:** 1. Veržliaraktis 2. Šešiabriaunis veržliaraktis 3. Profiliavimo staklių freza

8. Jei norite nuimti profiliavimo staklių frezą, atlikite uždėjimo procedūrą atvirkščia tvarka.

Pagrindo naudojimas su slenkamu pagrindu ir rankenos priedu

Slenkamą pagrindą taip pat galima naudoti kartu su pagrindu ir rankenos priedu (papildomas priedas), kad įrankis būtų stabilusnis.

► **Pav.36**

1. Atsukite varžtus ir nuimkite viršutinę dalį nuo slenkamo pagrindo. Viršutinę slenkamo pagrindo dalį padėkite į šalį.

► **Pav.37:** 1. Varžtai 2. Slenkamo pagrindo plokštė 3. Slenkamo pagrindo viršutinė dalis

2. Slenkamo pagrindo plokštę pritvirtinkite keturiais varžtais, o rankenos priedą prie slenkamo pagrindo plokštės – dviem varžtais. Įsukite vamzdžio tipo rankeną (pasirenkamą priedą) į rankenos priedą. Naudojant kitu būdu, rankenėlės tipo rankeną, kuri buvo nuimta nuo nuleidžiamo pagrindo (pasirenkamo priedo), galima sumontuoti ant rankenos priedo. Norėdami sumontuoti rankenėlės tipo rankeną, dėkite ją ant rankenos priedo ir pritvirtinkite varžtu.

Su vamzdžio tipo rankena

► **Pav.38:** 1. Vamzdžio tipo rankena 2. Rankenos priedas 3. Slenkamo pagrindo plokštė

Su rankenėlės tipo rankena

► **Pav.39:** 1. Varžtas 2. Rankenėlės tipo rankena 3. Rankenos priedas

Prietaiso naudojimas su nuleidžiamu pagrindu

Pasirenkamas priedas

▲PERSPĖJIMAS: Naudodami kaip frezą, tvirtai laikykite įrankį abiem rankomis.

1. Norėdami naudoti įrankį kaip frezą, sumontuokite įrankį ant nuleidžiamo pagrindo (pasirenkamo priedo), paspausdami jį iki pat galo žemyn. Galima naudoti ir rankenėlės, ir vamzdžio tipo rankenas (pasirenkamus priedus), atsižvelgiant į atliekamą darbą.

► **Pav.40:** 1. Nuleidžiamas pagrindas 2. Vamzdžio tipo rankena

2. Norėdami naudoti vamzdžio tipo rankeną (pasirenkamą priedą), atsukite varžtą ir nuimkite rankenėlės tipo rankeną.

► **Pav.41:** 1. Varžtas 2. Rankenėlės tipo rankena

3. Įsukite vamzdžio tipo rankeną į pagrindą.

► **Pav.42:** 1. Vamzdžio tipo rankena

Pjovimo gylio nustatymas naudojant nuleidžiamą pagrindą (pasirenkamą priedą)

▲PERSPĖJIMAS: Dirbdami įrankį visada laikykite už abiejų rankenų.

► **Pav.43:** 1. Reguliavimo rankenėlė 2. Fiksavimo svirtis 3. Gylio žymeklis 4. Stabdiklio strypo nustatymo veržlė 5. Greito veikimo mygtukas 6. Stabdiklio strypas 7. Stabdiklio blokas 8. Šešiakampis reguliavimo varžtas

1. Padėkite įrankį ant lygaus paviršiaus. Atlaisvinkite fiksavimo svirtį ir leiskite įrankio korpusą žemyn tol, kol profiliavimo staklių freza palies paviršių. Užveržkite fiksavimo svirtį, kad įrankio korpusas užsifiksuotų.

2. Pasukite stabdiklio strypo nustatymo veržlę prieš laikrodžio rodyklę. Leiskite stabdiklio strypą žemyn tol, kol jis palies šešiakampį reguliavimo varžtą. Gylio žymeklį nustatykite ties „0“ padala. Pjūvio gylį ant skalenės parodo gylio žymeklis.

3. Laikydami nuspaudę greito veikimo mygtuką, kelkite stabdiklio strypą, kol nustatysite norimą pjūvio gylį. Momentinius gylio reguliavimus galima nustatyti sukant reguliavimo rankenėlę (1 pasukimas lygus 1 mm).

4. Sukant stabdiklio strypo nustatymo veržlę pagal laikrodžio rodyklę, galima tvirtai užveržti stabdiklio strypą.

5. Iš anksto nustatytą pjūvio gylį galima gauti, atlaisvinant fiksavimo rankenėlę ir tada leidžiant įrankio korpusą žemyn tol, kol stabdiklio strypas palies stabdiklio bloko reguliavimo varžtą.

6. Padėkite pagrindą ant ruošinio, kurį pjausite, taip, kad profiliavimo staklių freza ruošinio nelieštų.

7. Įjunkite įrankį ir palaukite, kol profiliavimo staklių freza pradės sukintis visu greičiu.

8. Nuleiskite korpusą ir stumkite įrankį pirmyn ruošinio paviršiumi, laikydami pagrindą lygiai ir tolygiai stumdami į priekį, kol baigsite pjauti.

Pjaunant kraštą, ruošinio paviršius turi būti iš kairės profiliavimo staklių frezos pusės, nukreiptas stūmimo kryptimi.

► **Pav.44:** 1. Ruošins 2. Frezos sukimosi kryptis
3. Vaizdas iš įrankio viršaus 4. Tiekimo kryptis

Naudodami tiesųjį kreiptuvą arba profiliavimo staklių kreiptuvą, būtinai naudokite jį dešinėje pusėje, stūmimo kryptimi. Taip jis bus sutapdintas su ruošinio šonu.

► **Pav.45:** 1. Tiekimo kryptis 2. Frezos sukimosi kryptis 3. Ruošins 4. Tiesusis kreiptuvas

PASTABA: Per greitai stumiant įrankį į priekį, pjūvis gali būti prastos kokybės arba galima sugadinti profiliavimo staklių frezą ar variklį. Per lėtai stumiant įrankį, pjūvis gali būti nudeigtas arba sugadintas. Tinkamas įrankio stūmimo tempas priklauso nuo frezos dydžio, ruošinio rūšies ir pjovimo gylio. Prieš pradėdami pjauti, rekomenduotina atlikti bandomąjį pjūvį, naudojant medienos gabalėlį. Taip tiksliai pamatysite, kaip atrodys pjūvis, ir galėsite patikrinti matmenis.

Tiesusis kreiptuvas kreiptuvo laikikliui

Pasirenkamas priedas

Tiesusis kreiptuvas efektyviai naudojamas tiesiems pjūviams, išpjaunant išėmas arba griovelius.

► **Pav.46:** 1. Varžtas 2. Kreiptuvo laikiklis
3. Sparnuotoji veržlė (A) 4. Varžtas
5. Sparnuotoji veržlė (B) 6. Kreiptuvo plokštė 7. Tiesusis kreiptuvas
8. Sparnuotieji varžtai

1. Pritvirtinkite tiesiojo kreiptuvo komplektą ant kreiptuvo laikiklio (pasirenkamo priedo) varžtu ir sparnuotąją veržlę (A).

2. Įstatykite kreiptuvo laikiklį į angas, esančias nuleidžiamame pagrinde, ir užveržkite sparnuotąsias veržles.

3. Norėdami pareguliuoti atstumą tarp profiliavimo staklių frezos ir tiesiojo kreiptuvo, atsukite sparnuotąją veržlę (B). Nustatę norimą atstumą, užveržkite sparnuotąją veržlę (B), kad tiesusis kreiptuvas nejudėtų.

Tiesusis kreiptuvas

Pasirenkamas priedas

Tiesusis kreiptuvas efektyviai naudojamas tiesiems pjūviams, išpjaunant išėmas arba griovelius.

► **Pav.47**

1. Įkiškite kreipimo juostas į nuleidžiamame pagrinde esančias kiaurymes.

► **Pav.48:** 1. Kreipimo juosta 2. Sparnuotoji veržlė
3. Tiesusis kreiptuvas

2. Pareguliuokite atstumą tarp profiliavimo staklių frezos ir tiesiojo kreiptuvo. Nustatę norimą atstumą, užveržkite sparnuotąsias veržles, kad tiesusis kreiptuvas nejudėtų.

3. Pjaudami stumkite įrankį su tiesiuoju kreiptuvu, sulygiavę jį su ruošinio kraštu.

Jeigu atstumas tarp ruošinio šono ir pjovimo padėties yra per didelis tiesiajam kreiptuvui arba jeigu ruošins netiesus, tiesiojo kreiptuvo naudoti negalima. Tokiu atveju, prie ruošinio tvirtai prispauskite tiesią lentą ir naudokite ją kaip kreiptuvą, atrėmę į frezos pagrindą. Stumkite įrankį rodyklės kryptimi.

► **Pav.49**

Lekalo kreiptuvas

Pasirenkamas priedas

Lekalo kreiptuvas turi movą, pro kurią praeina profiliavimo staklių freza, todėl profiliavimo įrankiu galima išpjauti modelius pagal lekalus.

► **Pav.50**

1. Atlaisvinkite ant įrankio pagrindo esančius varžtus, įkiškite lekalo kreiptuvą ir tada užveržkite varžtus.

► **Pav.51:** 1. Varžtas 2. Pagrindas 3. Lekalo kreiptuvas

2. Pritvirtinkite lekalą prie ruošinio. Dėkite įrankį ant lekalo ir kartu su lekalu kreiptuvu slinkite išilgai lekalo šono.

► **Pav.52:** 1. Profiliavimo staklių freza 2. Pagrindas
3. Pagrindo apsauga 4. Lekalas
5. Ruošins 6. Lekalo kreiptuvas

PASTABA: Pjoviny bus išpjautas truputį kitokio dydžio nei lekalas. Tarp profiliavimo staklių frezos ir išorinio lekalo kreiptuvo krašto palikite (X) atstumą. (X) atstumą galima apskaičiuoti, naudojant tokią lygtį:

(X) atstumas = (lekalo kreiptuvo išorinis skersmuo - profiliavimo staklių frezos skersmuo) / 2

Dulkių ištraukimo antgalio nuostatos

Dulkėms šalinti naudokite dulkių ištraukimo antgalį.

Informacija dėl pagrindo

Sparnuotąją veržlę prie įrankio prisukite dulkių ištraukimo antgalį.

► **Pav.53:** 1. Dulkių ištraukimo antgalis 2. Sparnuotoji veržlė 3. Pagrindas

Informacija dėl nuleidžiamo pagrindo

Pasirenkamas priedas

1. Įtaisykite dulkių ištraukimo antgalį ant nuleidžiamo pagrindo naudodami sparnuotąją veržlę taip, kad dulkių ištraukimo antgalio išsiūšimas įsitaisytų į griovelį ant nuleidžiamo pagrindo.

► **Pav.54:** 1. Dulkių ištraukimo antgalis 2. Sparnuotoji veržlė 3. Nuleidžiamas pagrindas

2. Prijunkite vakuuminį valymo įrenginį prie dulkių ištraukimo antgalio.

► **Pav.55**

TECHNINĖ PRIEŽIŪRA

▲PERSPĖJIMAS: Prieš pradėdami įrankio tikrinimo arba techninės priežiūros darbus, visuomet būtinai išjunkite įrankį ir atjunkite jį nuo maitinimo tinklo.

PASTABA: Niekada nenaudokite gazolino, benzino, tirpiklio, spirito arba panašių medžiagų. Gali atsirasti išblukimų, deformacijų arba įtrūkimų.

Kad gaminyt būtų SAUGUS ir PATIKIMAS, jį taisyti, apžiūrėti ar vykdyti bet kokią kitą priežiūrą ar derinimą turi įgaliotasis kompanijos „Makita“ techninės priežiūros centras; reikia naudoti tik kompanijos „Makita“ pagamintą atsarginę dalis.

Anglinių šepetėlių keitimas

► **Pav.56:** 1. Ribos žymė

Reguliariai patikrinkite anglinius šepetėlius. Pakeiskite juos, kai nusidėvi iki ribos žymės. Laikykite anglinius šepetėlius švarius ir tikrinkite, ar jie laisvai įslenka į laikiklius. Abu angliniai šepetėliai turėtų būti keičiami tuo pačiu metu. Naudokite tik identiškų anglinių šepetėlius.

1. Jei norite nuimti šepetėlių laikiklių dangtelius, pasi-
naudokite atsuktuvu.

2. Išimkite sudėvėtus anglinius šepetėlius, įdėkite
naujus ir įtvirtinkite šepetėlių laikiklio dangtelį.

► **Pav.57:** 1. Šepetėlio laikiklio dangtelis

PASIRENKAMI PRIEDAI

▲PERSPĖJIMAS: Šiuos papildomus priedus arba įtaisus rekomenduojama naudoti su šioje instrukcijoje nurodytu „Makita“ bendrovės įrankiu. Naudojant bet kokius papildomus priedus arba įtaisus, gali kilti pavojus sužeisti žmones. Naudokite tik nurodytam tikslui skirtus papildomus priedus arba įtaisus.

Jei gu norite daugiau sužinoti apie tuos priedus, kreipkitės į artimiausią „Makita“ techninės priežiūros centrą.

- Tiesių ir griovelių formavimo antgaliai
- Kraštų formavimo peiliai
- Frezos peiliai iš valcuoto metalo
- Tiesiojo kreiptuvo komplektas
- Profiliavimo staklių kreiptuvo komplektas
- Pagrindo komplektas (guminis)
- Pakreipiamo pagrindo komplektas
- Nuleidžiamo pagrindo komplektas
- Slenkamo pagrindo komplektas
- Lekalo kreiptuvas
- Įvorės kūgis
- Veržliaraktis
- Dulkių ištraukimo antgalis
- Kreiptuvas
- Kreipiamosios juostos adapterio komplektas

- Tiesusis kreiptuvas su mikroreguliavimo dalimi
- Šoninė rankena
- Rankenos priedas

PASTABA: Kai kurie sąraše esantys priedai gali būti pateikti įrankio pakuotėje kaip standartiniai priedai. Jie įvairiose šalyse gali skirtis.

Profiliavimo staklių frezos

Tiesioji freza

► **Pav.58**

D	A	L1	L2
6	20	50	15
1/4 col.			
8	8	60	25
6		50	18
1/4 col.			
6	6	50	18
1/4 col.			

Vienetas:mm

U griovelių freza

► **Pav.59**

D	A	L1	L2	R
6	6	60	28	3
1/4 col.				

Vienetas:mm

V griovelių freza

► **Pav.60**

D	A	L1	L2	θ
1/4 col.	20	50	15	90°

Vienetas:mm

Gražtas-profiliavimo freza

► **Pav.61**

D	A	L1	L2	L3
8	8	60	20	35
6				
1/4 col.				

Vienetas:mm

Gražtas-dvigubo profiliavimo freza

► **Pav.62**

D	A	L1	L2	L3	L4
8	8	80	95	20	25
6					
1/4 col.					

Vienetas:mm

Kampų apvalinimo freza**► Pav.63**

D	A1	A2	L1	L2	L3	R
6	25	9	48	13	5	8
1/4 col.						
6	20	8	45	10	4	4
1/4 col.						

Vienetas:mm

Briaunų nuskvelbimo freza**► Pav.64**

D	A	L1	L2	L3	θ
6	23	46	11	6	30°
6	20	50	13	5	45°
6	20	49	14	2	60°

Vienetas:mm

Skliauto ornamento pjovimo freza**► Pav.65**

D	A	L1	L2	R
6	20	43	8	4
6	25	48	13	8

Vienetas:mm

Guolinė profiliavimo freza**► Pav.66**

D	A	L1	L2
6	10	50	20
1/4 col.			

Vienetas:mm

Guolinė kampų apvalinimo freza**► Pav.67**

D	A1	A2	L1	L2	L3	R
6	15	8	37	7	3,5	3
6	21	8	40	10	3,5	6
1/4 col.	21	8	40	10	3,5	6

Vienetas:mm

Guolinė briaunų nuskvelbimo freza**► Pav.68**

D	A1	A2	L1	L2	θ
6	26	8	42	12	45°
1/4 col.					
6	20	8	41	11	60°

Vienetas:mm

Guolinė ornamentų pjovimo freza**► Pav.69**

D	A1	A2	A3	L1	L2	L3	R
6	20	12	8	40	10	5,5	4
6	26	12	8	42	12	4,5	7

Vienetas:mm

Guolinė skliauto ornamento pjovimo freza**► Pav.70**

D	A1	A2	A3	A4	L1	L2	L3	R
6	20	18	12	8	40	10	5,5	3
6	26	22	12	8	42	12	5	5

Vienetas:mm

Guolinė romėniškos „S“ pavidalo kreivės freza**► Pav.71**

D	A1	A2	L1	L2	L3	R1	R2
6	20	8	40	10	4,5	2,5	4,5
6	26	8	42	12	4,5	3	6

Vienetas:mm

TEHNILISED ANDMED

Mudel:	RT0702C
Tsangpadruni suurus	6 mm, 8 mm või 1/4"
Koormuseta kiirus	10 000 – 34 000 min ⁻¹
Üldkõrgus	210 mm
Netokaal	1,8 – 2,8 kg
Ohutusklass	II/III

- Meie pideva uuringu- ja arendusprogrammi tõttu võidakse tehnilisi andmeid muuta ilma sellest ette teatamata.
- Tehnilised andmed võivad riigiti erineda.
- Kaal võib erineda olenevalt lisaseadis(t)est. Kergeim ja raskeim kombinatsioon EPTA-protseduuri 01/2014 kohaselt on toodud tabelis.

Kavandatud kasutus

Tööriist on ettenähtud puidu, plasti ja teiste sarnaste materjalide servamiseks ja profileerimiseks.

Vooluvarustus

Seadet võib ühendada ainult andmesildil näidatud pingega vooluvõrku ning seda saab kasutada ainult ühefaasilisel vahelduvvoolutoitel. Seadmel on kahekordne isolatsioon ning seega võib seda kasutada ka ilma maandusjuhtmeta pistikupessa ühendatult.

Müra

Tüüpiline A-korrigeeritud müratase, määratud standardi EN62841-2-17 kohaselt:

Helirõhutase (L_{pA}): 82 dB (A)

Helivõimsuse tase (L_{WA}): 93 dB (A)

Määramatus (K): 3 dB (A)

MÄRKUS: Deklareeritud müra väärtust (väärtuseid) on mõõdetud kooskõlas standardse katsemeetodiga ning seda võib kasutada ühe seadme võrdlemiseks teisega.

MÄRKUS: Deklareeritud müra väärtust (väärtuseid) võib kasutada ka mürataseme esmaseks hindamiseks.

▲HOIATUS: Kasutage kõrvakaitsmeid.

▲HOIATUS: Müratase võib elektritööriista tegelikkuses kasutamise ajal erineda deklareeritud väärtus(t)est olenevalt tööriista kasutusviisidest ja eriti töödeldavast toorikust.

▲HOIATUS: Rakendage operaatori kaitsmiseks kindlasti piisavaid ohutusabinõusid, mis põhinevad hinnangulisel müratasemel tegelikus tööolukorras (võttes arvesse tööperioodi kõiki osasid, näiteks korrad, kui seade lülitatakse välja ja seade töötab tühikäigul, lisaks tööajale).

Vibratsioon

Vibratsiooni koguväärtus (kolmeteljeliste vektorite summa) määratud standardi EN62841-2-17 kohaselt: Töörežiim: pöörlemine ilma koormuseta
Vibratsiooniheide (a_h): 2,5 m/s² või vähem
Määramatus (K): 1,5 m/s²

MÄRKUS: Deklareeritud vibratsiooni koguväärtust (-väärtuseid) on mõõdetud kooskõlas standardse katsemeetodiga ning seda võib kasutada ühe seadme võrdlemiseks teisega.

MÄRKUS: Deklareeritud vibratsiooni koguväärtust (-väärtuseid) võib kasutada ka mürataseme esmaseks hindamiseks.

▲HOIATUS: Vibratsioonitase võib elektritööriista tegelikkuses kasutamise ajal erineda deklareeritud väärtus(t)est olenevalt tööriista kasutusviisidest ja eriti töödeldavast toorikust.

▲HOIATUS: Rakendage operaatori kaitsmiseks kindlasti piisavaid ohutusabinõusid, mis põhinevad hinnangulisel müratasemel tegelikus tööolukorras (võttes arvesse tööperioodi kõiki osasid, näiteks korrad, kui seade lülitatakse välja ja seade töötab tühikäigul, lisaks tööajale).

EÜ vastavusdeklaratsioon

Ainult Euroopa riikide puhul

EÜ vastavusdeklaratsioon sisaldub käesoleva juhendi Lisas A.

OHUTUSHOIATUSED

Üldised elektritööriistade ohutushoiatused

⚠HOIATUS: Lugege läbi kõik selle elektritööriistaga kaasas olevad ohutushoiatused, juhised, joonised ja tehnilised andmed. Järgnevate juhiste eiramine võib põhjustada elektrilöögi, süttimise ja/või raske kehavigastuse.

Hoidke edaspidisteks viideteks alles kõik hoiatused ja juhtnöörid.

Hoiatuses kasutatud termini „elektritööriist“ all peetakse silmas elektriga töötavaid (juhtmega) elektritööriistu või akuga töötavaid (juhtmeta) elektritööriistu.

Servamismasina ohutusnõuded

1. Hoidke elektritööriista üksnes isoleeritud haardepindadest, kuna löikekater võib puutuda vastu seadme enda toitejuhet. Voolu all oleva juhtmega kokku puutuv löikekater võib pingestada elektritööriista metalloosi ja põhjustada kasutajale elektrilöögi.
2. Kasutage klambreid või mõnda muud sobivat viisi töödeldava detaili kinnitamiseks ja toetamiseks stabiilsele alusele. Töödeldava detaili hoidmisel käega või selle toetamisel vastu keha on detail ebastabiilses asendis ning võib põhjustada kontrolli kaotust.
3. Servamismasina otsaku vars peab sobituma kavandatud tsangpadruniga.
4. Kasutage ainult servamismasina otsakut, mille maksimaalne kiirus on vähemalt võrdne tööriistale märgituga.
5. Pikema tööperioodi kestel kandke kuulmiskaitsevahendeid.
6. Käsitsege servamismasina otsakuid väga ettevaatlikult.
7. Enne toimingute tegemist kontrollige hoolikalt, et servamismasina otsakul poleks mõrsid ega kahjustusi. Asendage pragunenud või vigastatud otsak viivitamatult.
8. Vältige naeltesse sisselõikamist. Enne toimingute tegemist kontrollige töödeldavat detaili ja eemaldage sellest kõik naelad.
9. Hoidke tööriistast kindlalt kinni.
10. Hoidke käed pöörlevatest osadest eemal.
11. Veenduge, et servamisotsak ei puudutaks töödeldavat detaili enne tööriista sisselülitamist.
12. Enne tööriista kasutamist töödeldaval esemel laske sellel mõnda aega koormuseta töötada. Jälgige vibratsiooni või vibamist, mis võib viidata valesti paigaldatud löikeotsakule.
13. Olge tähelepanelik servamisotsaku pöörlemis- ja etteandesuuna suhtes.
14. Ärge jätke tööriista käima. Käivitage tööriist ainult siis, kui hoiate seda käes.

15. Enne tööriista eemaldamist töödeldavast detailist lülitage tööriist alati vooluvõrgust välja ja oodake, kuni servamisotsak on täielikult seiskunud.
16. Ärge puudutage servamisotsakut vahetult pärast toimingute lõpetamist; see võib olla väga kuum ja põhjustada põletushaavu.
17. Ärge määrige alust hoolimatult lahusti, bensiini, õli või muu sarnasega. Need võivad põhjustada aluse pragunemise.
18. Mõned materjalid võivad sisaldada mürgiseid aineid. Võtke meetmed tolmude sissehingamise ja nahaga kokkupuute vältimiseks. Järgige materjali tarnija ohutusteavet.
19. Kasutage alati õiget tolmumaski/respiraatorit, mis vastab materjalile ja rakendusele, millega töötate.
20. Asetage tööriist stabiilsele pinnale. Muidu võib seade maha kukkuda ja vigastusi tekitada.

HOIDKE JUHEND ALLES.

⚠HOIATUS: ÄRGE UNUSTAGE järgida toote ohutusnõudeid mugavuse või toote (kordkasutamiseks saavutatud) hea tundmise tõttu. **VALE KASUTUS** või kasutusjuhendi ohutuseeskirjade eiramine võib põhjustada tervisekahjustusi.

FUNKTSIONAALNE KIRJELDUS

⚠ETTEVAATUST: Kandke alati hoolt selle eest, et tööriist oleks enne reguleerimist ja kontrollimist välja lülitatud ja vooluvõrgust lahti ühendatud.

Servamisotsaku kauguse reguleerimine

Otsaku kauguse reguleerimiseks avage lukustushoob ja nihutage alust reguleerkrui keerates soovi järgi üles või alla. Pärast reguleerimist sulgege lukustushoob korralikult, et alus fikseerida.

- **Joon.1:** 1. Alus 2. Skaala 3. Otsaku väljaulatamine 4. Lukustushoob 5. Reguleerkrui 6. Kuuskantmutter

MÄRKUS: Kui tööriist ei ole fikseeritud isegi pärast lukustushoova sulgemist, siis keerake kuuskantmutter tugevamini kinni ja seejärel sulgege lukustushoob.

Lüliti töötamine

⚠ETTEVAATUST: Kandke enne tööriista vooluvõrku ühendamist alati hoolt selle eest, et tööriist oleks välja lülitatud.

Tööriista käivitamiseks vajutage lülilil olevat I poolt. Tööriista seiskamiseks vajutage lülilil olevat O poolt.

- **Joon.2:** 1. Lüliti

Elektrooniline funktsioon

Tööriist on varustatud lihtsama kasutamise jaoks elektrooniliste funktsioonidega.

Märgutuli

► **Joon.3:** 1. Märgutuli

Roheline toite märgutuli süttib, kui tööriist on vooluvõrku ühendatud. Kui märgutuli ei sütti, on võimalik, et toitejuhe või juhtseade on defektnine. Kui märgutuli on valgustunud, kuid tööriist ei käivitu ka sisselülitamisel, võib selle põhjuseks olla süsiharjade kulumine või kontrolleri, mootori või lüliti „ON” (Sisse lülitatud) / „OFF” (Välja lülitatud) rike.

Tahtmatu taaskäivitamise kinnitus

Tööriist ei käivitu, kui lüliti I külg on alla vajutatud, isegi kui tööriist on pistikuga ühendatud. Sellisel puhul vilgub märgutuli punaselt ja näitab, et tahtmatu taaskäivitamise kinnituse seade töötab. Tahtmatu taaskäivitamise kinnituse tühistamiseks vajutage lüliti O külge.

Sujukäivituse funktsioon

Sujukäivituse funktsioon minimeerib käivitamisel tagasilööki ja võimaldab tööriistal sujuvalt käivituda.

Püsikiiruse juhtimine

Elektrooniline kiiruse juhtimine püsikiiruse saavutamiseks.

Kuna pöörlemiskiirus hoitakse koormatud tingimustes pidevalt ühtlase, on tulemuseks tasaselt poleeritud pind.

Kiirusregulaator

⚠️HOIATUS: Ärge kasutage kiirusregulaatorit töötamise ajal. Operaator võib tagasilöögi tõttu servamismasina otsakut puutuda. See võib põhjustada kehavigastuse.

⚠️ETTEVAATUST: Kui tööriista kasutatakse lakkamatult pika aja vältel aeglasel kiirusel, koormab see mootori üle ja tööriista töös võivad tekkida tõrked.

⚠️ETTEVAATUST: Kiirusregulaatorit saab pöörata ainult kuni 6-ni ja tagasi kuni 1-ni. Ärge suruge skaalat jõuga üle 6 või 1, kuna kiiruse reguleerimisfunktsioon võib rikki minna.

Tööriista kiirust saab muuta, kui pöörata kiirusregulaatorit numbritele 1 kuni 6.

► **Joon.4:** 1. Kiirusregulaator

Suurem kiirus saavutatakse kiirusregulaatori pööramisnumbri 6 suunas. Väiksem kiirus saavutatakse ketta pööramisnumbri 1 suunas.

See võimaldab valida optimaalseks materjali töötamiseks ideaalse kiiruse, st kiirust saab olenevalt materjalist ja otsaku läbimõõdust õigesti kohandada.

Tabelis on toodud skaala numbriliste väärtuste ja tööriista ligikaudse kiiruse omavahelised suhted.

Number	min ⁻¹
1	10 000
2	12 000
3	17 000
4	22 000
5	27 000
6	34 000

KOKKUPANEK

⚠️ETTEVAATUST: Enne tööriistal mingite tööde tegemist kandke alati hoolt selle eest, et see oleks välja lülitatud ja vooluvõrgust lahti ühendatud.

Servamisotsaku paigaldamine või eemaldamine

⚠️ETTEVAATUST: Ärge pingutage tsangmutrit servamismasina otsakut sisse panemata, sest muidu läheb tsangkoonus katki.

⚠️ETTEVAATUST: Kasutage üksnes tööriistaga kaasas olevaid mutrivõtmeid.

Servamismasina otsaku paigaldamiseks on kaks võimalust. Kasutage ükskõik kumba neist.

Kahe mutrivõtmega

Sisestage servamismasina otsak lõpuni tsangkoonusesse ja kinnitage tsangmutter korralikult ühe mutrivõtmega, hoides samal ajal teise mutrivõtmega kaela.

► **Joon.5:** 1. Pingutamine 2. Lõdvendamine 3. Kael 4. Tsangmutter

Ühe mutrivõtmega

Sisestage servamismasina otsak lõpuni tsangkoonusesse ja kinnitage tsangmutter korralikult mutrivõtmega, vajutades samal ajal völliukku.

► **Joon.6:** 1. Pingutamine 2. Lõdvendamine 3. Völliuk 4. Tsangmutter

Servamismasina otsaku eemaldamiseks järgige paigaldamise protseduuri vastupidises järjekorras.

Tsangkoonuse vahetamine

⚠️ETTEVAATUST: Tsangkoonuse suurus peab vastama kasutatavale servamismasina otsakule.

⚠️ETTEVAATUST: Ärge pingutage tsangmutrit servamismasina otsakut paigaldamata, sest muidu võib tsangkoonus puruneda.

1. Lõdvendage tsangmutrit ja eemaldage see.
2. Asendage paigaldatud tsangkoonuse sobiva tsangkoonusega.
3. Paigaldage tsangmutter uuesti.

► **Joon.7:** 1. Tsangkoonus 2. Tsangmutter

TÖÖRIISTA KASUTAMINE

⚠ETTEVAATUST: Hoidke tööriista alati kindlalt käes, üks käsi kerel. Ärge puudutage metallist osa.

Alusele

⚠HOIATUS: Enne tööriista kasutamist alusega paigaldage alusele alati tolmuotsak.

► **Joon.8:** 1. Tolmuotsak 2. Käsikruvi 3. Alus

1. Asetage alus lõigatavale detailile, ilma et servamismasina otsak detaili vastu puutuks.
 2. Lülitage tööriist sisse ja oodake, kuni servamisotsak saavutab täiskiiruse.
 3. Liikuge tööriistaga üle töödeldava detaili pinna, hoides alust sellega kohakuti ja tehes löike sujuvalt lõpuni.
- **Joon.9**

Servade lõikamisel peab töödeldava detaili pind jääma seadme liikumise suunas, vaadatuna servamisotsakust vasakule.

► **Joon.10:** 1. Töödeldav detail 2. Otsaku pöörlemis-suund 3. Vaade tööriista pealt 4. Etteandeline suund

Sirg- või servamisjuhiku kasutamisel hoidke seda kindlasti seadme liikumise suunas, vaadatuna otsakust paremale. Sel juhul on lihtsam juhikut töödeldava pinna servaga kohakuti hoida.

► **Joon.11:** 1. Etteandeline suund 2. Otsaku pöörlemis-suund 3. Toorik 4. Sirgjuhik

MÄRKUS: Kui tööriista nihutatakse edasi liiga kiiresti, võib see põhjustada löike halva kvaliteedi või kahjustada servamisotsakut või mootorit. Kui tööriista nihutatakse edasi liiga aeglaselt, võib see löikekohta kõrvetada ja kahjustada. Õige edasilikumise kiirus sõltub kasutatava otsaku suurusest, töödeldavast materjalist ja lõikesügavusest. Enne töö alustamist tegelikult töödeldaval pinnal on soovitatav teha sarnasest materjalist üleliigselt saematerjalitükil proovilõikamine. Nii teate täpselt, kuidas löige välja näeb, ning saate kontrollida mõõte.

⚠ETTEVAATUST: Kuna liiga sügav lõikamine võib mootori üle koormata või raskendada tööriista valitsemist, ei tohiks lõikesügavus soonte lõikamisel olla korraga üle 3 mm. Kui soovite lõigata sügavaid sooni kui 3 mm, tehke järjest suureneva lõikesügavusega mitu lõiget.

Alus (vaik)

Valikuline tarvik

Võite kasutada alust (vaik) lisavarustusena, nagu on näidatud joonisel.

► **Joon.12:** 1. Kinnituskruvi

Asetage tööriist alusele (vaik) ja kinnitage kinnituskruvi servamismasina otsakust soovitud kaugusel. Töötamistoimingute kohta leiate lisateavet aluse kasutusjuhendist.

Šabloonjuhik

Valikuline tarvik

Šabloonjuhik moodustab otsakule läbimiseks kanali, võimaldades servamismasinat kasutada šabloonidega.

► **Joon.13**

1. Keerake kruvid lahti ja eemaldage aluse kaitse.
- **Joon.14:** 1. Aluse kaitse 2. Kruvid
2. Asetage šabloonjuhik alusele ja pange aluse kaitse tagasi. Seejärel fikseerige kruve pingutades aluse kaitse.
 3. Kinnitage šabloon töödeldava detaili külge. Asetage tööriist šabloonile ja liigutage tööriista edasi nii, et šabloonjuhik libiseks piki šablooni serva.
- **Joon.15:** 1. Servamisotsak 2. Alus 3. Aluse kaitse 4. Šabloon 5. Töödeldav detail 6. Šabloonjuhik

MÄRKUS: Töödeldav detail lõigatakse šabloonist veidi erineva suurusega. Jätke servamisotsaku ja šabloonjuhiku väliskülje vahele vahemaa (X). Vahemaa (X) arutamiseks saab kasutada järgmist valemit:

Vahemaa (X) = (šabloonjuhiku välisläbimõõt – servamisotsaku läbimõõt) / 2

Sirgjuhik

Valikuline tarvik

Sirgjuhikut kasutatakse faasimisel või soonte lõikamisel sirge löike saamiseks.

► **Joon.16**

1. Kinnitage juhtplaat poldi ja tiibmutri abil sirgjuhiku külge.
- **Joon.17:** 1. Pold 2. Juhtplaat 3. Sirgjuhik 4. Tiibmutter
2. Kinnitage sirgjuhiku moodul kinnituskrivi abil.
- **Joon.18:** 1. Kinnituskrivi 2. Sirgjuhik 3. Tiibmutter 4. Alus

3. Lõdvendage sirgjuhiku moodulil olevat tiibmutrit ning reguleerige servamismasina otsaku ja sirgjuhiku vahelist vahemaad. Soovitud vahemaa saavutamisel keerake tiibmutter tugevasti kinni.

4. Lõikamisel liigutage tööriista nii, et sirgjuhik oleks töödeldava detaili servaga ühel joonel.

Kui vahemaa töödeldava detaili külje ja löikeasendi vahel on liiga suur või kui töödeldava detaili külg pole sirge, ei saa sirgjuhikut kasutada. Sellisel juhul kinnitage töödeldava detaili külge sirge laud ja kasutage seda servamismasina aluse vastas juhikuna. Juhtige tööriista noole suunas.

► **Joon.19**

Ringlõigete tegemine

Ringlõigete tegemiseks tuleb monteerida sirgjuhik ja juhtplaat, nagu on näidatud joonisel.

Lõigatavate ringide minimaalne ja maksimaalne raadius (ringi keskpunkti ja servamismasina otsaku keskpunkti vahelkaugus) on järgmine:

Min: 70 mm
Max: 221 mm

70 mm kuni 121 mm raadiusega ringide lõikamiseks

- **Joon.20:** 1. Tiibmutter 2. Juhtplaat 3. Sirgjuhiik
4. Keskava 5. Polt

121 mm kuni 221 mm raadiusega ringide lõikamiseks

- **Joon.21:** 1. Tiibmutter 2. Juhtplaat 3. Sirgjuhiik
4. Keskava 5. Polt

MÄRKUS: 172 mm kuni 186 mm raadiusega ringe ei saa selle juhiku abil lõigata.

1. Seadke sirgjuhiku keskel olev ava lõigatava ringi keskpunkti kohale.
► **Joon.22:** 1. Nael 2. Keskava 3. Sirgjuhiik
2. Lööge sirgjuhiku fikseerimiseks keskel olevasse avasse alla 6 mm läbimõduga nael.
3. Liikuge tööriistaga päripäeva ümber naela.

Servamisjuhiik

Valikuline tarvik

Servamisjuhiku abil saab hõlpsasti servata, teha kõve-raid lõikeid mööblispoonis jms. Juhrullik liigub piki lõikekaart ja kindlustab peene lõike.

► Joon.23

1. Paigaldage servamisjuhiik ja juhikuhoiidid kinnituskrui abil aluse külge (A).
2. Lõdvendage pitskrui (B) ning reguleerige servamisotsaku ja -juhiku vahetäugust, keerates reguleerkrui (1 mm pöörde kohta). Soovitud kaugusel keerake pitskrui (B) kinni, et fikseerida servamisjuhiik paigale.
► **Joon.24:** 1. Reguleerimiskruvi 2. Juhikuhoiidid
3. Servamisjuhiik
3. Lõikamisel liigutage tööriista nii, et juhrullik liiguks mööda töödeldava detaili serva.
► **Joon.25:** 1. Töödeldava detail 2. Servamisotsak
3. Juhrullik

Kallutusalus

Valikuline tarvik

Kallutusalus kasutatakse laminaatpleki või teiste sarnaste materjalide servamiseks. Kallutusalus on käepärane faasimisel.

1. Asetage tööriist kallutusalusse, lõdvendage kinnituskruid ja kallutage tööriista soovitud nurga alla.
2. Sulgege lukustushoob servamismasina otsaku soovitud eendi juures ja pingutage kinnituskruid soovitud nurga all.
3. Kinnitage töödeldava detaili külge tugevasti sirge laud ja kasutage seda kallutusalusse vastas juhikuna. Juhtige tööriista noole suunas.
► **Joon.26:** 1. Kinnituskruid 2. Lukustushoob

Kallutusalususe kaitse kasutamine koos alusega

Kallutusaluselt eemaldatud kallutusalususe kaitset (ruut) saab monteerida alusele. Aluse kaitse kuju saab muuta ümmargusest ruuduks.

1. Eemaldage kallutusalususe aluse kaitse kallutusaluselt, keerates lahti neli kruvi ja eemaldades need.
2. Monteerige kallutusalususe kaitse alusele.
► **Joon.27:** 1. Kallutusalususe kaitse 2. Kruvi

Nihutatud otsaku aluse kaitse

Valikuline tarvik

Nihutatud otsa kasutatakse laminaatpleki või teiste sarnaste materjalide servamiseks.

Nihutatud otsaku alus sobib töödeks, mida tehakse kitsas piirkonnas.

► Joon.28

Tööriista kasutamine koos nihutatud otsaku alusega

1. Enne tööriista paigaldamist nihutatud otsaku alusele eemaldage tsangmutter ja -koonus, lõdvendades tsangmutrit.
► **Joon.29:** 1. Rihmaratas 2. Tsangmutter
3. Tsangkoonus
2. Paigaldage rihmaratas tööriista külge, vajutades võllilukku ja keerates rihmaratta mutrivõtmega tugevasti kinni.
► **Joon.30:** 1. Mutrivõti 2. Rihmaratas 3. Võllilukku
3. Paigaldage tsangkoonus ja keerake tsangmutrit nihutatud otsaku alusel nii, nagu joonisel on näidatud.
► **Joon.31:** 1. Tsangmutter 2. Tsangkoonus
4. Kinnitage nihutatud otsaku alus tööriista külge.
► **Joon.32**
5. Seadke rihm üle rihmaratta, kasutades kruvikeerajat, ja veenduge, et rihm asetuks kogu oma laiuse ulatuses üle rihmaratta.
► **Joon.33:** 1. Rihmaratas 2. Rihm
6. Sulgege lukustushoob.
► **Joon.34:** 1. Lukustushoob
7. Paigaldage servamismasina otsak järgmiselt. Pange tööriist koos nihutatud otsaku alusega maha. Sisestage kuuskantmutrivõti nihutatud otsaku aluse avasse.
Hoidke kuuskantmutrivõtit joonisel näidatud asendis, sisestage servamismasina otsak nihutatud otsaku aluse võllil olevasse tsangkoonusesse vastasküljelt ja keerake tsangmutter mutrivõtmega tugevasti kinni.
► **Joon.35:** 1. Mutrivõti 2. Kuuskantvõti
3. Servamismasina otsak
8. Servamismasina otsaku eemaldamiseks järgige paigaldamise protseduuri vastupidises järjekorras.

Aluse kasutamine koos nihutatud otsaku alusplaadi ja käepideme kinnitusega

Nihutatud otsaku alusplaati võib parema stabiilsuse saavutamiseks kasutada ka koos aluse ja käepideme kinnitusega (lisavarustus).

► Joon.36

1. Keerake kruvid lahti ja eemaldage ülemine sektsioon nihutatud otsaku aluselt. Pange nihutatud otsaku aluse ülemine sektsioon kõrvale.

► **Joon.37:** 1. Kruvid 2. Nihutatud otsaku alusplaat 3. Nihutatud otsaku aluse ülemine sektsioon

2. Monteerige nihutatud otsaku alusplaat nelja kruviga ja käepideme kinnitus kahe kruviga nihutatud otsaku aluse plaadi külge. Kruvige kangkäepide (lisatarvik) käepideme kinnituse külge. Teise kasutusvõimalusena saab käepideme kinnituse külge paigaldada nuppkäepideme, mis eemaldatakse profiilreesimise aluselt (lisatarvik). Nuppkäepideme paigaldamiseks asetage see käepideme kinnitusse ja keerake kruviga kinni.

Kangkäepidemega

► **Joon.38:** 1. Kangkäepide 2. Käepideme kinnitus 3. Nihutatud otsaku alusplaat

Nuppkäepidemega

► **Joon.39:** 1. Kruvi 2. Nuppkäepide 3. Käepideme kinnitus

Tööriista kasutamine koos profiilreesimise alusega

Valikuline tarvik

▲ ETTEVAATUST: Kui kasutate tööriista profiilreesina, siis hoidke seda kindlalt mõlema käega.

1. Tööriista kasutamiseks ülafreesina paigaldage tööriista profiilreesimise aluse (lisatarvik) külge, vajutades selle täielikult alla. Olenevalt tehtavast tööst võite kasutada kas nupp- või kangkäepidet (lisatarvik).

► **Joon.40:** 1. Profiilreesimise alus 2. Kangkäepide

2. Kangkäepideme (lisatarvik) kasutamiseks keerake kruvi lahti ja eemaldage nuppkäepide.

► **Joon.41:** 1. Kruvi 2. Nuppkäepide

3. Kruvige kangkäepide aluse külge.

► **Joon.42:** 1. Kangkäepide

Löikesügavuse reguleerimine profiilreesimise aluse (lisatarvik) kasutamisel

▲ ETTEVAATUST: Hoidke töötamise ajal tööriista alati mõlemast käepidemest tugevalt kinni.

► **Joon.43:** 1. Reguleerimisnupp 2. Lukustushoob 3. Sügavusosuti 4. Stoppervarda seadistumutter 5. Kiire söötmise nupp 6. Stoppervarras 7. Stopperi plokk 8. Reguleerimise kuuskantpolt

1. Asetage tööriist tasasele pinnale. Lõdvendage lukustushoob ja langetage tööriista korpust, kuni servamismasina otsak puudutab tasast pinda. Tööriista korpuse lukustamiseks pingutage lukustushooba.

2. Keerake stoppervarda seadistumutrit vastupäeva. Langetage stoppervarrast, kuni see puutub vastu reguleerimise kuuskantpolti. Seadke sügavusosuti kohakuti skaalaühikuga „0“. Sügavusosuti näitab skaalal lõikesügavust.

3. Hoides kiirsööte nuppu all, tõstke stoppervarrast soovitud lõikesügavuse saavutamiseni. Sügavuse peenhäälestuseks tuleb keerata reguleerimisnuppu (üks pööre = 1 mm).

4. Keerates stoppervarda seadistumutrit päripäeva, saate stoppervarda tugevasti fikseerida.

5. Nüüd tuleb teie etteantud lõikesügavuse saavutamiseks lõdvendada lukustushooba ja seejärel langetada tööriista korpust, kuni stoppervarras satub kontakti stopperi ploki reguleerimisplodiga.

6. Asetage alus lõigatavale detailile, ilma et servamismasina otsak detaili vastu puutuks.

7. Lülitage tööriist sisse ja oodake, kuni servamismasina otsak saavutab täiskiruse.

8. Langetage tööriista korpust ja liigutage tööriista piki töödeldava detaili pinda, hoides alust tasaselt vastu pinda ja liikudes sujuvalt edasi, kuni lõige on tehtud.

Servade lõikamisel peab töödeldava detaili pind jääma seadme liikumise suunas, vaadatuna servamismasina otsakust vasakule.

► **Joon.44:** 1. Toorik 2. Otsaku pöörlemisuund 3. Vaade tööriista pealt 4. Etteande suund

Sirg- või servamisjuhiku kasutamisel hoidke seda kindlasti seadme liikumise suunas, vaadatuna otsakust paremale. Sel juhul on lihtsam juhikut töödeldava pinna servaga kohakuti hoida.

► **Joon.45:** 1. Etteande suund 2. Otsaku pöörlemisuund 3. Toorik 4. Sirgjuhik

MÄRKUS: Kui tööriista nihutatakse edasi liiga kiiresti, võib see põhjustada löike halva kvaliteedi või kahjustada servamismasina otsakut või mootorit. Kui tööriista nihutatakse edasi liiga aeglaselt, võib see löikekohta kõrvetada ja kahjustada. Õige edasilikumise kiirus oleneb kasutatava otsaku suuruselt, töödeldavast materjalist ja lõikesügavusest. Enne töö alustamist tegelikult töödeldaval pinnal on soovitatav teha sarnasest materjalist üleilgisel saematerjali tükil proovilõikamine. Nii teate täpselt, kuidas lõige välja näeb, ning saate kontrollida mõtte.

Juhikuhoidiku sirgjuhik

Valikuline tarvik

Sirgjuhikut kasutatakse faasimisel või soonte lõikamisel sirge löike saamiseks.

► **Joon.46:** 1. Polt 2. Juhikuhoidik 3. Tiibmutter (A) 4. Polt 5. Tiibmutter (B) 6. Juhitplaat 7. Sirgjuhik 8. Tiibplodid

1. Paigaldage sirgjuhiku moodul plodid ja tiibmutriga (A) juhikuhoidikusse (lisatarvik).

2. Sisestage juhikuhoidik profiilreesimise aluses olevatesse avaustesse ja kinnitage tiibplodidega.

3. Servamismasina otsaku ja sirgjuhiku vahelkauge reguleerimiseks lõdvendage tiibmutrit (B). Soovitud vahemaa saavutamisel pingutage sirgjuhiku fikseerimiseks tiibmutrit (B).

Sirgjuhik

Valikuline tarvik

Sirgjuhikut kasutatakse faasimisel või soonte lõikamisel sirge lõike saamiseks.

► **Joon.47**

1. Paigaldage juhtlatid profiilreesimise aluse avadesse.
► **Joon.48:** 1. Juhtlatt 2. Tiibmutter 3. Sirgjuhik
2. Reguleerige vahemaad servamismasina otsaku ja sirgjuhiku vahel. Soovitud vahemaa saavutamisel pingutage sirgjuhiku fikseerimiseks tiibmutreid.
3. Lõikamisel liigutage tööriista nii, et sirgjuhik oleks töödeldava detaili servaga ühel joonel.

Kui vahemaa töödeldava detaili külje ja lõikeasendi vahel on liiga suur või kui töödeldava detaili külg pole sirge, ei saa sirgjuhikut kasutada. Sellisel juhul klammerdage töödeldava detaili külge tugevasti sirge laud ja kasutage seda profiilreesi aluse juhikuna. Juhtige tööriista noole suunas.

► **Joon.49**

Šabloonjuhik

Valikuline tarvik

Šabloonjuhik moodustab otsakule läbimiseks kanali, võimaldades servamismasinat kasutada šabloonidega.

► **Joon.50**

1. Lõdvendage tööriista aluse kruvid, sisestage šabloonjuhik ja kinnitage kruvid.
► **Joon.51:** 1. Kruvi 2. Alus 3. Šabloonjuhik
2. Kinnitage šabloon töödeldava detaili külge. Asetage tööriist šabloonile ja liigutage tööriista edasi nii, et šabloonjuhik libiseks piki šablooni serva.
► **Joon.52:** 1. Servamisotsak 2. Alus 3. Aluse kaitse 4. Šabloon 5. Töödeldav detail 6. Šabloonjuhik

MÄRKUS: Töödeldav detail lõigatakse šabloonist veidi erineva suurusega. Jätke servamisotsaku ja šabloonjuhiku väliskülje vahele vahemaa (X). Vahemaa (X) arvutamiseks saab kasutada järgmist valemit:

Vahemaa (X) = (šabloonjuhiku välisläbimõõt – servamisotsaku läbimõõt) / 2

Tolmuotsaku komplektid

Kasutage tolmuotsakut tolmu eraldamiseks.

Alusele

Kinnitage tolmuotsak käsikruvi abil tööriista aluse külge.

► **Joon.53:** 1. Tolmuotsak 2. Käsikruvi 3. Alus

Profiilreesimise alusele

Valikuline tarvik

1. Kinnitage tolmuotsak käsikruviga profiilreesimise alusele nii, et tolmuotsaku eend sobituks profiilreesimise aluse süvendisse.

► **Joon.54:** 1. Tolmuotsak 2. Käsikruvi 3. Profiilreesimise alus

2. Ühendage tolmuotsak tolmuimejaga.

► **Joon.55**

HOOLDUS

⚠ETTEVAATUST: Enne kontroll- või hooldustoimingute tegemist kandke alati hoolt selle eest, et tööriist oleks välja lülitatud ja vooluvõrgust lahti ühendatud.

TÄHELEPANU: Ärge kunagi kasutage bensiini, vedeldit, alkoholi ega midagi muud sarnast. Selle tulemuseks võib olla luitumine, deformatsioon või pragunemine.

Toote OHUTUSE ja TÕÕKINDLUSE tagamiseks tuleb vajalikud remonttööd ning muud hooldus- ja reguleerimistööd lasta teha Makita volitatud teeninduskeskustes või tehase teeninduskeskustes. Alati tuleb kasutada Makita varuosi.

Süsiharjade asendamine

► **Joon.56:** 1. Piirmärgis

Kontrollige süsiharja regulaarselt.

Vahetage need välja, kui need on piirmärgini kulunud. Hoidke süsiharjad puhtad, nii on neid lihtne hoidikutele libistada. Mõlemad süsiharjad tuleb asendada korraga. Kasutage üksnes identseid süsiharju.

1. Kasutage harjahoidikute kaante eemaldamiseks kruvikeerajat.

2. Võtke ära kulunud süsiharjad välja, paigaldage uued ning kinnitage harjahoidikute kaaned tagasi.

► **Joon.57:** 1. Harjahoidiku vahe

VALIKULISED TARVIKUD

⚠ETTEVAATUST: Neid tarvikuid ja lisaseadiseid on soovitatav kasutada koos Makita tööriistaga, mille kasutamist selles kasutusjuhendis kirjeldatakse. Muude tarvikute ja lisaseadiste kasutamiseks kaasneb vigastada saamise oht. Kasutage tarvikuid ja lisaseadiseid ainult otstarbekohaselt.

Saate vajaduse korral kohalikust Makita teeninduskeskusest lisateavet nende tarvikute kohta.

- Sirg- ja rihvamisotsakud
- Ääreotsakud
- Laminaadist servamisotsakud
- Sirgjuhiku moodul
- Servamisjuhiku moodul
- Põhjamoodul (vaik)
- Kallutusalus moodul
- Profiilreesimise aluse moodul
- Nihutatud otsaku aluse moodul
- Šabloonjuhik
- Tsangkoonus
- Mutrivõti
- Tolmuotsak
- Juhtpiire
- Juhtpiire adapteri komplekt
- Mikroreguleerimisega sirgjuhik
- Kõlglkäepide
- Käepideme kinnitus

MÄRKUS: Mõned nimekirjas loetletud tarvikud võivad kuuluda standardvarustusse ning need on lisatud tööriista pakendisse. Need võivad riigiti erineda.

Servamisotsakud

Sirgotsak

► Joon.58

D	A	L1	L2
6	20	50	15
1/4"			
8	8	60	25
6		50	18
1/4"			
6	6	50	18
1/4"			

Ühik:mm

U-soone otsak

► Joon.59

D	A	L1	L2	R
6	6	60	28	3
1/4"				

Ühik:mm

V-soone otsak

► Joon.60

D	A	L1	L2	θ
1/4"	20	50	15	90°

Ühik:mm

Puuriteravikuga tasaservamisotsak

► Joon.61

D	A	L1	L2	L3
8	8	60	20	35
6	6	60	18	28
1/4"				

Ühik:mm

Puuriteravikuga kahekordne tasaservamisotsak

► Joon.62

D	A	L1	L2	L3	L4
8	8	80	95	20	25
6	6	70	40	12	14
1/4"					

Ühik:mm

Nurgaümardusotsak

► Joon.63

D	A1	A2	L1	L2	L3	R
6	25	9	48	13	5	8
1/4"						
6	20	8	45	10	4	4
1/4"						

Ühik:mm

Faasimisotsak

► Joon.64

D	A	L1	L2	L3	θ
6	23	46	11	6	30°
6	20	50	13	5	45°
6	20	49	14	2	60°

Ühik:mm

Nõgusreesimisotsak

► Joon.65

D	A	L1	L2	R
6	20	43	8	4
6	25	48	13	8

Ühik:mm

Kuullaagritega tasaservamisotsak**► Joon.66**

D	A	L1	L2
6	10	50	20
1/4"			

Ühik:mm

Kuullaagritega nurgaümardusotsak**► Joon.67**

D	A1	A2	L1	L2	L3	R
6	15	8	37	7	3,5	3
6	21	8	40	10	3,5	6
1/4"	21	8	40	10	3,5	6

Ühik:mm

Kuullaagritega faasimisotsak**► Joon.68**

D	A1	A2	L1	L2	θ
6	26	8	42	12	45°
1/4"					
6	20	8	41	11	60°

Ühik:mm

Kuullaagritega ribitamisosak**► Joon.69**

D	A1	A2	A3	L1	L2	L3	R
6	20	12	8	40	10	5,5	4
6	26	12	8	42	12	4,5	7

Ühik:mm

Kuullaagritega nõgusprofiili ribitamisosak**► Joon.70**

D	A1	A2	A3	A4	L1	L2	L3	R
6	20	18	12	8	40	10	5,5	3
6	26	22	12	8	42	12	5	5

Ühik:mm

Kuullaagritega Rooma tüüpi S-profiili otsak**► Joon.71**

D	A1	A2	L1	L2	L3	R1	R2
6	20	8	40	10	4,5	2,5	4,5
6	26	8	42	12	4,5	3	6

Ühik:mm

ТЕХНИЧЕСКИЕ ХАРАКТЕРИСТИКИ

Модель:	RT0702C
Размер цангового патрона	6 мм, 8 мм или 1/4 дюйма
Число оборотов без нагрузки	10 000–34 000 мин ⁻¹
Общая высота	210 мм
Масса нетто	1,8–2,8 кг
Класс безопасности	II

- Благодаря нашей постоянно действующей программе исследований и разработок указанные здесь технические характеристики могут быть изменены без предварительного уведомления.
- Технические характеристики могут различаться в зависимости от страны.
- Масса может отличаться в зависимости от дополнительного оборудования. В таблице представлены комбинации с наибольшей и наименьшей массой в соответствии с процедурой EPTA 01/2014.

Назначение

Данный инструмент предназначен для обрезки краев и профилирования дерева, пластмассы и подобных материалов.

Источник питания

Данный инструмент должен подключаться к источнику питания с напряжением, соответствующим напряжению, указанному на идентификационной пластине, и может работать только от однофазного источника переменного тока. Он имеет двойную изоляцию и поэтому может подключаться к розеткам без заземления.

Шум

Типичный уровень взвешенного звукового давления (A), измеренный в соответствии с EN62841-2-17:
 Уровень звукового давления (L_{pA}): 82 дБ (A)
 Уровень звуковой мощности (L_{WA}): 93 дБ (A)
 Погрешность (K): 3 дБ (A)

ПРИМЕЧАНИЕ: Заявленное значение распространения шума измерено в соответствии со стандартной методикой испытаний и может быть использовано для сравнения инструментов.

ПРИМЕЧАНИЕ: Заявленное значение распространения шума можно также использовать для предварительных оценок воздействия.

⚠ ОСТОРОЖНО: Используйте средства защиты слуха.

⚠ ОСТОРОЖНО: Распространение шума во время фактического использования электроинструмента может отличаться от заявленного значения в зависимости от способа применения инструмента и в особенности от типа обрабатываемой детали.

⚠ ОСТОРОЖНО: Обязательно определите меры безопасности для защиты оператора, основанные на оценке воздействия в реальных условиях использования (с учетом всех этапов рабочего цикла, таких как выключение инструмента, работа без нагрузки и включение).

Вибрация

Суммарное значение вибрации (сумма векторов по трем осям), определенное в соответствии с EN62841-2-17:
 Рабочий режим: вращение без нагрузки
 Распространение вибрации (a_n): 2,5 м/с² или менее
 Погрешность (K): 1,5 м/с²

ПРИМЕЧАНИЕ: Заявленное общее значение распространения вибрации измерено в соответствии со стандартной методикой испытаний и может быть использовано для сравнения инструментов.

ПРИМЕЧАНИЕ: Заявленное общее значение распространения вибрации можно также использовать для предварительных оценок воздействия.

⚠ ОСТОРОЖНО: Распространение вибрации во время фактического использования электроинструмента может отличаться от заявленного значения в зависимости от способа применения инструмента и в особенности от типа обрабатываемой детали.

⚠ ОСТОРОЖНО: Обязательно определите меры безопасности для защиты оператора, основанные на оценке воздействия в реальных условиях использования (с учетом всех этапов рабочего цикла, таких как выключение инструмента, работа без нагрузки и включение).

Декларация о соответствии ЕС

Только для европейских стран

Декларация о соответствии ЕС включена в руководство по эксплуатации (Приложение А).

МЕРЫ БЕЗОПАСНОСТИ

Общие рекомендации по технике безопасности для электроинструментов

▲ОСТОРОЖНО: Ознакомьтесь со всеми представленными инструкциями по технике безопасности, указаниями, иллюстрациями и техническими характеристиками, прилагаемыми к данному электроинструменту. Несоблюдение каких-либо инструкций, указанных ниже, может привести к поражению электрическим током, пожару и/или серьезной травме.

Сохраните брошюру с инструкциями и рекомендациями для дальнейшего использования.

Термин "электроинструмент" в предупреждениях относится ко всему инструменту, работающему от сети (с проводом) или на аккумуляторах (без провода).

Правила техники безопасности при эксплуатации триммера

1. При выполнении работ существует риск контакта фрезы со шнуром питания, в связи с чем электроинструмент следует держать только за специальные изолированные поверхности. В случае разрезания находящегося под напряжением провода напряжение может передаваться на металлические части инструмента, что станет причиной поражения оператора током.
2. Для фиксации разрезаемой детали на устойчивой поверхности используйте зажимы или другие соответствующие приспособления. Никогда не держите распиливаемые детали в руках и не прижимайте их к телу, так как это не обеспечит устойчивого положения детали и может привести к потере контроля над инструментом.
3. Хвостовик фрезы для триммера должен подходить к имеющемуся цанговому патрону.
4. Используйте только фрезу для триммера, которая рассчитана, как минимум, на максимальную указанную на инструменте рабочую частоту.
5. В случае длительной эксплуатации инструмента используйте средства защиты слуха.
6. Аккуратно обращайтесь с фрезой для триммера.
7. Перед эксплуатацией тщательно осмотрите фрезу для триммера и убедитесь в отсутствии трещин или повреждений. Немедленно замените треснувшую или поврежденную фрезу.
8. Избегайте попадания режущего инструмента на гвозди. Перед выполнением работ осмотрите деталь и удалите из нее все гвозди.

9. Крепко держите инструмент.
10. Руки должны находиться на расстоянии от вращающихся деталей.
11. Перед включением выключателя убедитесь, что фреза для триммера не касается детали.
12. Перед использованием инструмента на реальной детали дайте ему немного поработать в холостую. Убедитесь в отсутствии вибрации или биения, которые могут свидетельствовать о неправильной установке фрезы.
13. Помните о направлении вращения фрезы для триммера и направлении ее подачи.
14. Не оставляйте работающий инструмент без присмотра. Включайте инструмент только тогда, когда он находится в руках.
15. Перед извлечением инструмента из детали всегда выключайте его и ждите, пока фреза полностью остановится.
16. Сразу после окончания работ не прикасайтесь к фрезе. Она может быть очень горячей, что приведет к ожогам кожи.
17. Не допускайте попадания на основание растворителя, бензина, масла или схожих веществ по неосторожности. Они могут стать причиной растрескивания основания.
18. Некоторые материалы могут содержать токсичные химические вещества. Примите соответствующие меры предосторожности, чтобы избежать вдыхания или контакта с кожей таких веществ. Соблюдайте требования, указанные в паспорте безопасности материала.
19. Обязательно используйте соответствующую пылезащитную маску/респиратор для защиты дыхательных путей от пыли разрезаемых материалов.
20. Установите инструмент на устойчивую поверхность. В противном случае инструмент может упасть и причинить травму.

СОХРАНИТЕ ДАННЫЕ ИНСТРУКЦИИ.

▲ОСТОРОЖНО: НЕ ДОПУСКАЙТЕ, чтобы удобство или опыт эксплуатации данного устройства (полученный от многократного использования) доминировали над строгим соблюдением правил техники безопасности при обращении с этим устройством. НЕПРАВИЛЬНОЕ ИСПОЛЬЗОВАНИЕ инструмента или несоблюдение правил техники безопасности, указанных в данном руководстве, может привести к тяжелой травме.

ОПИСАНИЕ РАБОТЫ

▲ВНИМАНИЕ: Перед регулировкой или проверкой функций инструмента обязательно убедитесь, что он выключен и его вилка вынута из розетки.

Регулировка выступа фрезы для триммера

Для настройки выступа фрезы откройте фиксирующую защелку и переместите, если нужно, основание вверху или вниз, поворачивая регулировочный винт. После завершения регулировки плотно закройте фиксирующую защелку, чтобы зафиксировать основание.

► **Рис.1:** 1. Основание 2. Шкала 3. Выступ фрезы 4. Фиксирующая защелка 5. Регулировочный винт 6. Шестигранная гайка

ПРИМЕЧАНИЕ: Если инструмент не закреплен даже после закрывания фиксирующей защелки, затяните шестигранную гайку, а затем закройте фиксирующую защелку.

Действие выключателя

▲ВНИМАНИЕ: Прежде чем вставить штекер инструмента в розетку, всегда проверяйте, что инструмент отключен.

Для запуска инструмента нажмите на сторону переключателя с меткой I. Для выключения инструмента нажмите на сторону переключателя с меткой O.

► **Рис.2:** 1. Переключатель

Электронная функция

Для простоты эксплуатации инструмент оснащен электронными функциями.

Индикаторная лампа

► **Рис.3:** 1. Индикаторная лампа

При подключении инструмента к сети питания загорается зеленая индикаторная лампа. Если индикаторная лампа не загорается, это свидетельствует о неисправности сетевого шнура или контроллера. Если индикаторная лампа горит, а инструмент не включается даже при нажатом выключателе, это свидетельствует либо об износе угольных щеток, либо о неисправности контроллера, электродвигателя или переключателя ВКЛ/ВЫКЛ.

Защита от случайного включения

Инструмент не запускается при нажатии на сторону переключателя с меткой I, даже если инструмент подключен к сети питания.

В это время индикаторная лампа будет мигать красным, указывая на то, что активировано устройство защиты от случайного включения.

Для отключения защиты от случайного включения нажмите на сторону переключателя с меткой O.

Функция плавного запуска

Функция плавного запуска уменьшает пусковой удар и обеспечивает плавность запуска инструмента.

Контроль постоянной скорости

Электронное управление скоростью инструмента для достижения постоянной скорости.

Позволяет выполнять тонкую отделку, так как скорость вращения поддерживается на постоянном уровне даже в условиях нагрузки.

Регулятор скорости

▲ОСТОРОЖНО: Не используйте регулятор скорости во время работы. Из-за силы противодействия оператор может случайно дотронуться до фрезы для триммера. Это может привести к травме.

▲ВНИМАНИЕ: Если инструментом пользоваться непрерывно на низкой скорости в течение продолжительного времени, двигатель будет перегружаться, что приведет к поломке инструмента.

▲ВНИМАНИЕ: Регулятор скорости можно поворачивать только до цифры 6 и обратно до 1. Не нужно принудительно поворачивать регулятор за пределы значений 6 или 1, так как это может привести к отказу функции регулирования скорости.

Скорость инструмента можно менять, устанавливая регулятор скорости на значение от 1 до 6.

► **Рис.4:** 1. Регулятор скорости

При повороте регулятора скорости в направлении цифры 6 скорость будет увеличиваться. Для понижения скорости поверните регулятор в направлении цифры 1.

Это позволяет выбрать идеальную скорость для оптимальной обработки материала, то есть правильную скорость можно выбирать в зависимости от материала и диаметра фрезы.

Соответствие цифровых значений на регуляторе и примерной скорости вращения инструмента указано в таблице.

Цифра	мин ⁻¹
1	10 000
2	12 000
3	17 000
4	22 000
5	27 000
6	34 000

СБОРКА

▲ВНИМАНИЕ: Перед проведением каких-либо работ с инструментом обязательно проверьте, что инструмент выключен, а шнур питания вынут из розетки.

Установка или снятие фрезы для триммера

▲ВНИМАНИЕ: Не затягивайте цанговую гайку, не вставив фрезу для триммера, иначе цанговый конус сломается.

▲ВНИМАНИЕ: Пользуйтесь только ключами, поставляемыми вместе с инструментом.

Установить фрезу для триммера можно двумя способами. Воспользуйтесь любым из них.

С использованием двух гаечных ключей

Вставьте фрезу для триммера до конца в цанговый конус и с помощью одного гаечного ключа хорошо затяните цанговую гайку, при этом удерживая шейку вторым гаечным ключом.

- **Рис.5:** 1. Затянуть 2. Ослабить 3. Шейка
4. Цанговая гайка

С использованием одного гаечного ключа

Вставьте фрезу для триммера до конца в цанговый конус и с помощью гаечного ключа хорошо затяните цанговую гайку, при этом надавив на фиксатор вала.

- **Рис.6:** 1. Затянуть 2. Ослабить 3. Фиксатор вала
4. Цанговая гайка

Чтобы снять фрезу для триммера, выполните действия по установке в обратной последовательности.

Замена цангового конуса

▲ВНИМАНИЕ: Размер цангового конуса должен соответствовать размеру используемой фрезы для триммера.

▲ВНИМАНИЕ: Не затягивайте цанговую гайку, не установив фрезу для триммера, иначе цанговый конус может сломаться.

1. Открутите и снимите цанговую гайку.
2. Замените установленный цанговый конус на конус правильного размера.
3. Установите на место цанговую гайку.

- **Рис.7:** 1. Цанговый конус 2. Цанговая гайка

ЭКСПЛУАТАЦИЯ

▲ВНИМАНИЕ: Всегда крепко держите инструмент, положив одну руку на корпус. Не касайтесь металлических деталей.

Для основания

▲ОСТОРОЖНО: Перед использованием инструмента на основании всегда устанавливайте на основание пылесборный патрубок.

- **Рис.8:** 1. Пылесборный патрубок 2. Барашковый винт 3. Основание

1. Установите основание на обрабатываемую деталь так, чтобы фреза для триммера не касалась детали.
2. Включите инструмент и дождитесь, пока фреза наберет полную скорость.
3. Затем перемещайте инструмент вперед по поверхности, прижимая основание к обрабатываемой детали и аккуратно двигая его вперед до завершения процесса резки.

► Рис.9

При осуществлении резки кромки, поверхность обрабатываемой детали должна находиться слева от фрезы в направлении подачи.

- **Рис.10:** 1. Обрабатываемая деталь
2. Направление вращения фрезы 3. Вид сверху инструмента 4. Направление подачи

При использовании прямой направляющей или кромкообразной направляющей обязательно располагайте ее справа по направлению подачи. Это поможет удерживать ее заподлицо с боковой стороной обрабатываемой детали.

- **Рис.11:** 1. Направление подачи 2. Направление вращения фрезы 3. Обрабатываемая деталь 4. Прямая направляющая

ПРИМЕЧАНИЕ: Слишком быстрое перемещение инструмента вперед может ухудшить качество резки или повредить фрезу для триммера или двигатель. Слишком медленное перемещение инструмента вперед может привести к сжиганию и порче выреза. Надлежащая скорость подачи будет зависеть от размера фрезы, типа обрабатываемой детали и глубины резки. Перед осуществлением резки на фактической обрабатываемой детали, рекомендуется сделать пробный вырез на куске ненужного пиломатериала. Это позволит точно узнать, как будет выглядеть вырез, а также проверить размеры.

▲ВНИМАНИЕ: Так как чрезмерная резка может привести к перегрузке двигателя или трудностям в управлении инструментом, глубина резки не должна превышать 3 мм за один проход при резке пазов. Если вы хотите вырезать пазы глубиной более 3 мм, сделайте несколько проходов, постепенно увеличивая глубину погружения фрезы.

Полимерная подставка

Дополнительные принадлежности

В качестве дополнительной принадлежности можно использовать полимерную подставку (см. рисунок).

► **Рис.12:** 1. Зажимной винт

Установите инструмент на полимерную подставку и затяните зажимной винт так, чтобы фреза для триммера выступала на нужную длину.

Способы использования подставки приведены в инструкции по ее эксплуатации.

Профильная направляющая

Дополнительные принадлежности

Профильная направляющая оснащена втулкой, через которую проходит фреза, что позволяет использовать триммер с профильными шаблонами.

► **Рис.13**

1. Отверните винты и снимите защиту основания.

► **Рис.14:** 1. Защита основания 2. Винты

2. Установите профильную направляющую на основание и установите защиту на место. Затем затяните винты для фиксации защиты основания.

3. Прикрепите профиль к обрабатываемой детали. Установите инструмент на профиль и перемещайте его, продвигая профильную направляющую вдоль боковой стороны профиля.

► **Рис.15:** 1. Фреза для триммера 2. Основание 3. Защита основания 4. Профиль 5. Обрабатываемая деталь 6. Профильная направляющая

ПРИМЕЧАНИЕ: Размер вырезанной обрабатываемой детали будет немного отличаться от размера профиля. Обеспечьте расстояние (X) между фрезой и внешней стороной профильной направляющей. Расстояние (X) можно вычислить при помощи следующего уравнения:

Расстояние (X) = (наружный диаметр профильной направляющей - диаметр фрезы для триммера) / 2

Прямая направляющая

Дополнительные принадлежности

Прямую направляющую удобно использовать для осуществления прямых вырезов при снятии фасок или резке пазов.

► **Рис.16**

1. Соедините направляющую пластину с прямой направляющей при помощи болта с барашковой гайкой.

► **Рис.17:** 1. Болт 2. Направляющая пластина 3. Прямая направляющая 4. Барашковая гайка

2. Прикрепите узел прямой направляющей с помощью зажимного винта.

► **Рис.18:** 1. Зажимной винт 2. Прямая направляющая 3. Барашковая гайка 4. Основание

3. Ослабьте барашковую гайку на узле прямой направляющей и отрегулируйте расстояние между фрезой для триммера и прямой направляющей. Выбрав необходимое расстояние, надежно затяните барашковую гайку.

4. При резке перемещайте инструмент, держа прямую направляющую заподлицо с боковой стороной обрабатываемой детали.

Если расстояние между боковой стороной обрабатываемой детали и положением резки слишком большое для прямой направляющей или если боковая сторона обрабатываемой детали неровная, прямую направляющую использовать нельзя. В данном случае надежно закрепите прямую планку на обрабатываемой детали и используйте ее в качестве направляющей для основания триммера. Подавайте инструмент в направлении стрелки.

► **Рис.19**

Резка по кругу

Если смонтировать вместе прямую направляющую и направляющую пластину, как показано на рисунке, можно выполнять резку по кругу.

Минимальный и максимальный радиусы вырезаемых окружностей (расстояние между центром окружности и центром фрезы для триммера) следующие: Мин.: 70 мм

Макс.: 221 мм

Для вырезания окружностей с радиусом от 70 мм до 121 мм

► **Рис.20:** 1. Барашковая гайка 2. Направляющая пластина 3. Прямая направляющая 4. Центральное отверстие 5. Болт

Для вырезания окружностей с радиусом от 121 мм до 221 мм

► **Рис.21:** 1. Барашковая гайка 2. Направляющая пластина 3. Прямая направляющая 4. Центральное отверстие 5. Болт

ПРИМЕЧАНИЕ: С использованием этой направляющей окружности радиусом от 172 мм до 186 мм вырезать не получится.

1. Совместите центральное отверстие в прямой направляющей с центром вырезаемой окружности.

► **Рис.22:** 1. Гвоздь 2. Центральное отверстие 3. Прямая направляющая

2. Вставьте в центральное отверстие гвоздь диаметром до 6 мм, чтобы зафиксировать прямую направляющую.

3. Поворачивайте инструмент вокруг гвоздя по часовой стрелке.

Кромкообрезная направляющая

Дополнительные принадлежности

Резка кромок и изогнутых линий по облицовочным панелям мебели и прочие подобные работы можно выполнять с помощью кромкообрезной направляющей. Направляющий ролик перемещается по кривой и гарантирует аккуратную резку.

► **Рис.23**

1. Установите кромкообрезную направляющую и держатель направляющей на основание с помощью зажимного винта (А).

2. Ослабьте зажимной винт (В) и отрегулируйте зазор между фрезой для триммера и кромкообрезную направляющую, повернув регулировочный винт (1 мм на оборот). Отрегулировав необходимый зазор, затяните зажимной винт (В), чтобы зафиксировать кромкообрезную направляющую.

► **Рис.24:** 1. Регулировочный винт 2. Держатель направляющей 3. Кромкообрезная направляющая

3. При резке перемещайте инструмент так, чтобы направляющий ролик перемещался по боковой стороне обрабатываемой детали.

► **Рис.25:** 1. Обрабатываемая деталь 2. Фреза для триммера 3. Направляющий ролик

Основание для фрезерования под наклоном

Дополнительные принадлежности

Основание для фрезерования под наклоном используется для подрезания края листа из слоистого материала или аналогичных материалов.

Основание для фрезерования под наклоном удобно для снятия фаски.

1. Установите инструмент на основание для фрезерования под наклоном, ослабьте зажимные винты и наклоните инструмент под нужным углом.

2. Выдвиньте фрезу для триммера на нужное расстояние и закройте фиксирующую защелку, а затем затяните зажимные винты под нужным углом.

3. Надежно зажмите на обрабатываемой детали прямую планку и используйте ее в качестве направляющей для основания для фрезерования под наклоном. Подавайте инструмент в направлении стрелки.

► **Рис.26:** 1. Зажимные винты 2. Фиксирующая защелка

Использование защиты основания для фрезерования под наклоном с основанием

Квадратную защитную пластину основания для фрезерования под наклоном, снятую с основания для фрезерования под наклоном, можно установить на основание. Форму защиты основания можно изменять с круглой на квадратную.

1. Снимите защиту основания для фрезерования под наклоном, выкрутив и вынув четыре винта.

2. Прикрепите защиту основания для фрезерования под наклоном к основанию.

► **Рис.27:** 1. Защита основания для фрезерования под наклоном 2. Винт

Основание для смещения фрезы

Дополнительные принадлежности

Основание для смещения фрезы используется для подрезания края листа из слоистого материала или аналогичных материалов.

Основание для смещения фрезы удобно для работы в ограниченном пространстве.

► **Рис.28**

Использование инструмента с основанием для смещения фрезы

1. Прежде чем устанавливать инструмент на основание для смещения фрезы, открутите цанговую гайку и снимите ее вместе с цанговым конусом.

► **Рис.29:** 1. Шкив 2. Цанговая гайка 3. Цанговый конус

2. Установите шкив на инструмент, нажав на фиксатор вала и хорошо затянув шкив ключом.

► **Рис.30:** 1. Гаечный ключ 2. Шкив 3. Фиксатор вала

3. Установите на основание для смещения фрезы цанговый конус и навинтите цанговую гайку, как показано на рисунке.

► **Рис.31:** 1. Цанговая гайка 2. Цанговый конус

4. Установите основание для смещения фрезы на инструмент.

► **Рис.32**

5. С помощью отвертки наденьте ремень на шкив и убедитесь, что он ложится на шкив по всей ширине.

► **Рис.33:** 1. Шкив 2. Ремень

6. Закройте фиксирующую защелку.

► **Рис.34:** 1. Фиксирующая защелка

7. Установите фрезу для триммера следующим образом.

Положите на бок инструмент с основанием для смещения фрезы. Вставьте шестигранный ключ в отверстие основания для смещения фрезы.

Удерживая шестигранный ключ в положении, показанном на рисунке, вставьте фрезу для триммера в цанговый конус на валу основания для смещения фрезы с другой стороны и плотно затяните цанговую гайку гаечным ключом.

► **Рис.35:** 1. Гаечный ключ 2. Шестигранный ключ 3. Фреза для триммера

8. Чтобы снять фрезу для триммера, выполните действия по установке в обратной последовательности.

Использование основания с пластиной основания для смещения фрезы и креплением рукоятки

Основание для смещения фрезы можно также использовать с основанием и креплением рукоятки (дополнительная принадлежность) для обеспечения большей устойчивости.

► **Рис.36**

1. Выкрутите винты и снимите верхнюю секцию с основания для смещения фрезы. Отложите в сторону верхнюю секцию основания для смещения фрезы.

► **Рис.37:** 1. Винты 2. Пластина основания для смещения фрезы 3. Верхняя секция основания для смещения фрезы

2. Закрепите пластину основания для смещения фрезы четырьмя винтами, а потом двумя винтами прикрепите к пластине основания для смещения фрезы крепление рукоятки. Прикрутите стержневую рукоятку (дополнительная принадлежность) к креплению рукоятки. При другом варианте использования на крепление рукоятки может быть установлена круглая рукоятка, которая снимается с основания для погружного фрезерования (дополнительная принадлежность). Чтобы установить круглую рукоятку, поместите ее на крепление рукоятки и закрепите винтом.

Со стержневой рукояткой

► **Рис.38:** 1. Стержневая рукоятка 2. Крепление рукоятки 3. Пластина основания для смещения фрезы

С круглой рукояткой

► **Рис.39:** 1. Винт 2. Круглая рукоятка 3. Крепление рукоятки

Работа с инструментом на основании для погружного фрезерования

Дополнительные принадлежности

▲ ВНИМАНИЕ: При использовании инструмента в качестве фрезера крепко держите его обеими руками.

1. Чтобы использовать инструмент в качестве фрезера, установите его на основание для погружного фрезерования (дополнительная принадлежность), полностью вдавив его. В зависимости от задачи можно использовать либо круглую, либо стержневую рукоятку (дополнительная принадлежность).

► **Рис.40:** 1. Основание для погружного фрезерования 2. Стержневая рукоятка

2. Чтобы использовать стержневую рукоятку (дополнительная принадлежность), выкрутите винт и снимите круглую рукоятку.

► **Рис.41:** 1. Винт 2. Круглая рукоятка

3. Вкрутите стержневую рукоятку в основание.

► **Рис.42:** 1. Стержневая рукоятка

Регулировка глубины резки при использовании основания для погружного фрезерования (дополнительная принадлежность)

▲ ВНИМАНИЕ: Во время работы всегда крепко держите инструмент за обе рукоятки.

► **Рис.43:** 1. Ручка регулировки 2. Стопорный рычаг 3. Указатель глубиномера 4. Регулировочная гайка стопорной опоры 5. Кнопка быстрой подачи 6. Стопорная опора 7. Стопорный блок 8. Регулировочный шестигранный болт

1. Установите инструмент на плоскую поверхность. Ослабьте стопорный рычаг и опустите корпус инструмента так, чтобы фреза для триммера коснулась поверхности. Затяните стопорный рычаг, чтобы зафиксировать корпус инструмента.

2. Поверните регулировочную гайку стопорной опоры против часовой стрелки. Опустите стопорную опору так, чтобы она коснулась регулировочного шестигранного болта. Совместите указатель глубиномера с отметкой "0" на шкале. Глубина резки указывается на шкале указателем глубиномера.

3. Нажимая на кнопку быстрой подачи, поднимайте стопорную опору, пока не будет достигнута необходимая глубина резки. Точно отрегулировать глубину можно, вращая ручку регулировки (1 мм на оборот).

4. Вращая регулировочную гайку стопорной опоры по часовой стрелке, можно надежно закрепить стопорную опору.

5. Теперь заданной глубины резки можно добиться, ослабив стопорный рычаг и опустив корпус инструмента, чтобы стопорная опора касалась регулировочного болта стопорного блока.

6. Установите основание на обрабатываемую деталь так, чтобы фреза для триммера не касалась детали.

7. Включите инструмент и дождитесь, пока фреза для триммера не начнет вращаться на полной скорости.

8. Опустите корпус инструмента и двигайте инструмент вперед по поверхности обрабатываемой детали, прижимая основание к детали и плавно двигая его вперед до завершения процесса резки.

При резке кромки поверхность обрабатываемой детали должна находиться слева от фрезы для триммера в направлении подачи.

► **Рис.44:** 1. Обрабатываемая деталь 2. Направление вращения фрезы 3. Вид сверху инструмента 4. Направление подачи

При использовании прямой направляющей или кромкообразной направляющей обязательно располагайте ее справа по направлению подачи. Это поможет удерживать их заподлицо с боковой стороной обрабатываемой детали.

► **Рис.45:** 1. Направление подачи 2. Направление вращения фрезы 3. Обрабатываемая деталь 4. Прямая направляющая

ПРИМЕЧАНИЕ: Слишком быстрое перемещение инструмента вперед может ухудшить качество резки или повредить фрезу для триммера или двигатель. Слишком медленное перемещение инструмента вперед может привести к сжиганию и порче выреза. Надлежащая скорость подачи будет зависеть от размера фрезы, типа обрабатываемой детали и глубины резки. Перед осуществлением резки на фактической обрабатываемой детали рекомендуется сделать пробный вырез на куске ненужного пиломатериала. Это позволит точно узнать, как будет выглядеть вырез, а также проверить размеры.

Прямая направляющая для держателя направляющей

Дополнительные принадлежности

Прямую направляющую удобно использовать для осуществления прямых вырезов при снятии фасок или резке пазов.

- **Рис.46:** 1. Болт 2. Держатель направляющей 3. Барашковая гайка (А) 4. Болт 5. Барашковая гайка (В) 6. Направляющая пластина 7. Прямая направляющая 8. Барашковые болты

1. Установите узел прямой направляющей на держатель направляющей (дополнительная принадлежность), используя болт и барашковую гайку (А).
2. Вставьте держатель направляющей в отверстия основания для погружного фрезерования и затяните барашковые болты.
3. Чтобы отрегулировать зазор между фрезой для триммера и прямой направляющей, ослабьте барашковую гайку (В). Отрегулировав зазор, затяните барашковую гайку (В), чтобы зафиксировать прямую направляющую.

Прямая направляющая

Дополнительные принадлежности

Прямую направляющую удобно использовать для осуществления прямых вырезов при снятии фасок или резке пазов.

- **Рис.47**

1. Вставьте стержень направляющей в отверстие основания для погружного фрезерования.
► **Рис.48:** 1. Стержень направляющей 2. Барашковая гайка 3. Прямая направляющая
2. Отрегулируйте расстояние между фрезой для триммера и прямой направляющей. Установив необходимое расстояние, затяните барашковые гайки, чтобы зафиксировать прямую направляющую.
3. При резке перемещайте инструмент, держа прямую направляющую заподлицо с боковой стороны обрабатываемой детали.

Если расстояние между боковой стороной обрабатываемой детали и положением резки слишком большое для прямой направляющей или если боковая сторона обрабатываемой детали неровная, прямую направляющую использовать нельзя. В данном случае надежно закрепите прямую планку на обрабатываемой детали и используйте ее в качестве направляющей для основания фрезера. Подавайте инструмент в направлении стрелки.

- **Рис.49**

Профильная направляющая

Дополнительные принадлежности

Профильная направляющая оснащена втулкой, через которую проходит фреза, что позволяет использовать триммер с профильными шаблонами.

- **Рис.50**

1. Ослабьте винты в основании инструмента, вставьте профильную направляющую и затяните винты.
► **Рис.51:** 1. Винт 2. Основание 3. Профильная направляющая
2. Прикрепите профиль к обрабатываемой детали. Установите инструмент на профиль и перемещайте его, продвигая профильную направляющую вдоль боковой стороны профиля.
► **Рис.52:** 1. Фреза для триммера 2. Основание 3. Защита основания 4. Профиль 5. Обрабатываемая деталь 6. Профильная направляющая

ПРИМЕЧАНИЕ: Размер вырезанной обрабатываемой детали будет немного отличаться от размера профиля. Обеспечьте расстояние (X) между фрезой и внешней стороной профильной направляющей. Расстояние (X) можно вычислить при помощи следующего уравнения:

Расстояние (X) = (наружный диаметр профильной направляющей - диаметр фрезы для триммера) / 2

Комплекты пылесборного патрубка

Используйте пылесборный патрубок для удаления пыли.

Для основания

Установите пылесборный патрубок на основание инструмента, используя барашковый винт.

- **Рис.53:** 1. Пылесборный патрубок 2. Барашковый винт 3. Основание

Для основания для погружного фрезерования

Дополнительные принадлежности

1. При помощи барашкового винта установите пылесборный патрубок на основание для погружного фрезерования так, чтобы выступ на патрубке вошел в паз в основании для погружного фрезерования.

- **Рис.54:** 1. Пылесборный патрубок 2. Барашковый винт 3. Основание для погружного фрезерования

2. Присоедините пылесос к пылесборному патрубку.

- **Рис.55**

ОБСЛУЖИВАНИЕ

▲ ВНИМАНИЕ: Перед проверкой или проведением техобслуживания убедитесь, что инструмент выключен, а штекер отсоединен от розетки.

ПРИМЕЧАНИЕ: Запрещается использовать бензин, растворители, спирт и другие подобные жидкости. Это может привести к обесцвечиванию, деформации и трещинам.

Для обеспечения БЕЗОПАСНОСТИ и НАДЕЖНОСТИ оборудования ремонт, любое другое техобслуживание или регулировку необходимо производить в уполномоченных сервис-центрах Makita или сервис-центрах предприятия с использованием только сменных частей производства Makita.

Замена угольных щеток

► **Рис.56:** 1. Ограничительная метка

Регулярно проверяйте угольные щетки. Замените, когда износ достигнет ограничительной метки. Угольные щетки всегда должны быть чистыми и свободно перемещаться в держателях. Заменяйте обе угольные щетки одновременно. Используйте только идентичные угольные щетки.

1. Используйте отвертку для снятия колпачков держателей щеток.
2. Извлеките изношенные угольные щетки, вставьте новые и закрутите колпачков держателей щеток.

► **Рис.57:** 1. Колпачок держателя щетки

ДОПОЛНИТЕЛЬНЫЕ ПРИНАДЛЕЖНОСТИ

▲ ВНИМАНИЕ: Данные принадлежности или приспособления рекомендуются для использования с инструментом Makita, указанным в настоящем руководстве. Использование других принадлежностей или приспособлений может привести к получению травмы. Используйте принадлежность или приспособление только по указанному назначению.

Если вам необходимо содействие в получении дополнительной информации по этим принадлежностям, свяжитесь с вашим сервис-центром Makita.

- Фрезы для прямой резки и вырезания пазов
- Фрезы для обработки кромок
- Фрезы для резки слоистых материалов
- Узел прямой направляющей
- Узел кромкообрезной направляющей
- Комплект полимерной подставки
- Комплект основания для фрезерования под наклоном
- Комплект основания для погружного фрезерования

- Комплект основания для смещения фрезы
- Профильная направляющая
- Цанговый конус
- Гаечный ключ
- Пылесборный патрубок
- Направляющий рельс
- Комплект адаптера для шины цепной пилы
- Прямая направляющая с микрорегулировкой
- Боковая ручка
- Крепление рукоятки

ПРИМЕЧАНИЕ: Некоторые элементы списка могут входить в комплект инструмента в качестве стандартных приспособлений. Они могут отличаться в зависимости от страны.

Фрезы для триммера

Прямая фреза

► **Рис.58**

D	A	L1	L2
6	20	50	15
1/4 дюйма			
8	8	60	25
6			
1/4 дюйма	6	50	18
6			
1/4 дюйма			

Единица: мм

U-образная фреза

► **Рис.59**

D	A	L1	L2	R
6	6	60	28	3
1/4 дюйма				

Единица: мм

V-образная фреза

► **Рис.60**

D	A	L1	L2	θ
1/4 дюйма	20	50	15	90°

Единица: мм

Фреза для обрезки кромок точек сверления заподлицо

► **Рис.61**

D	A	L1	L2	L3
8	8	60	20	35
6				
1/4 дюйма	6	60	18	28
6				

Единица: мм

Фреза для двойной обрезки кромок точек сверления заподлицо

► Рис.62

D	A	L1	L2	L3	L4
8	8	80	95	20	25
6	6	70	40	12	14
1/4 дюйма					

Единица: мм

Фреза для закругления углов

► Рис.63

D	A1	A2	L1	L2	L3	R
6	25	9	48	13	5	8
1/4 дюйма						
6	20	8	45	10	4	4
1/4 дюйма						

Единица: мм

Фреза для снятия фасок

► Рис.64

D	A	L1	L2	L3	θ
6	23	46	11	6	30°
6	20	50	13	5	45°
6	20	49	14	2	60°

Единица: мм

Фреза для выкружки

► Рис.65

D	A	L1	L2	R
6	20	43	8	4
6	25	48	13	8

Единица: мм

Подшипниковая фреза для обрезки кромок заподлицо

► Рис.66

D	A	L1	L2
6	10	50	20
1/4 дюйма			

Единица: мм

Подшипниковая фреза для закругления углов

► Рис.67

D	A1	A2	L1	L2	L3	R
6	15	8	37	7	3,5	3
6	21	8	40	10	3,5	6
1/4 дюйма	21	8	40	10	3,5	6

Единица: мм

Подшипниковая фреза для снятия фасок

► Рис.68

D	A1	A2	L1	L2	θ
6	26	8	42	12	45°
1/4 дюйма					
6	20	8	41	11	60°

Единица: мм

Подшипниковая фреза для забортовки

► Рис.69

D	A1	A2	A3	L1	L2	L3	R
6	20	12	8	40	10	5,5	4
6	26	12	8	42	12	4,5	7

Единица: мм

Подшипниковая фреза для выкружки

► Рис.70

D	A1	A2	A3	A4	L1	L2	L3	R
6	20	18	12	8	40	10	5,5	3
6	26	22	12	8	42	12	5	5

Единица: мм

Подшипниковая фреза для S-образного профиля

► Рис.71

D	A1	A2	L1	L2	L3	R1	R2
6	20	8	40	10	4,5	2,5	4,5
6	26	8	42	12	4,5	3	6

Единица: мм

Makita Europe N.V. Jan-Baptist Vinkstraat 2,
3070 Kortenberg, Belgium

Makita Corporation 3-11-8, Sumiyoshi-cho,
Anjo, Aichi 446-8502 Japan

www.makita.com

885908-982
EN, SV, NO, FI, DA,
LV, LT, ET, RU
20210610