



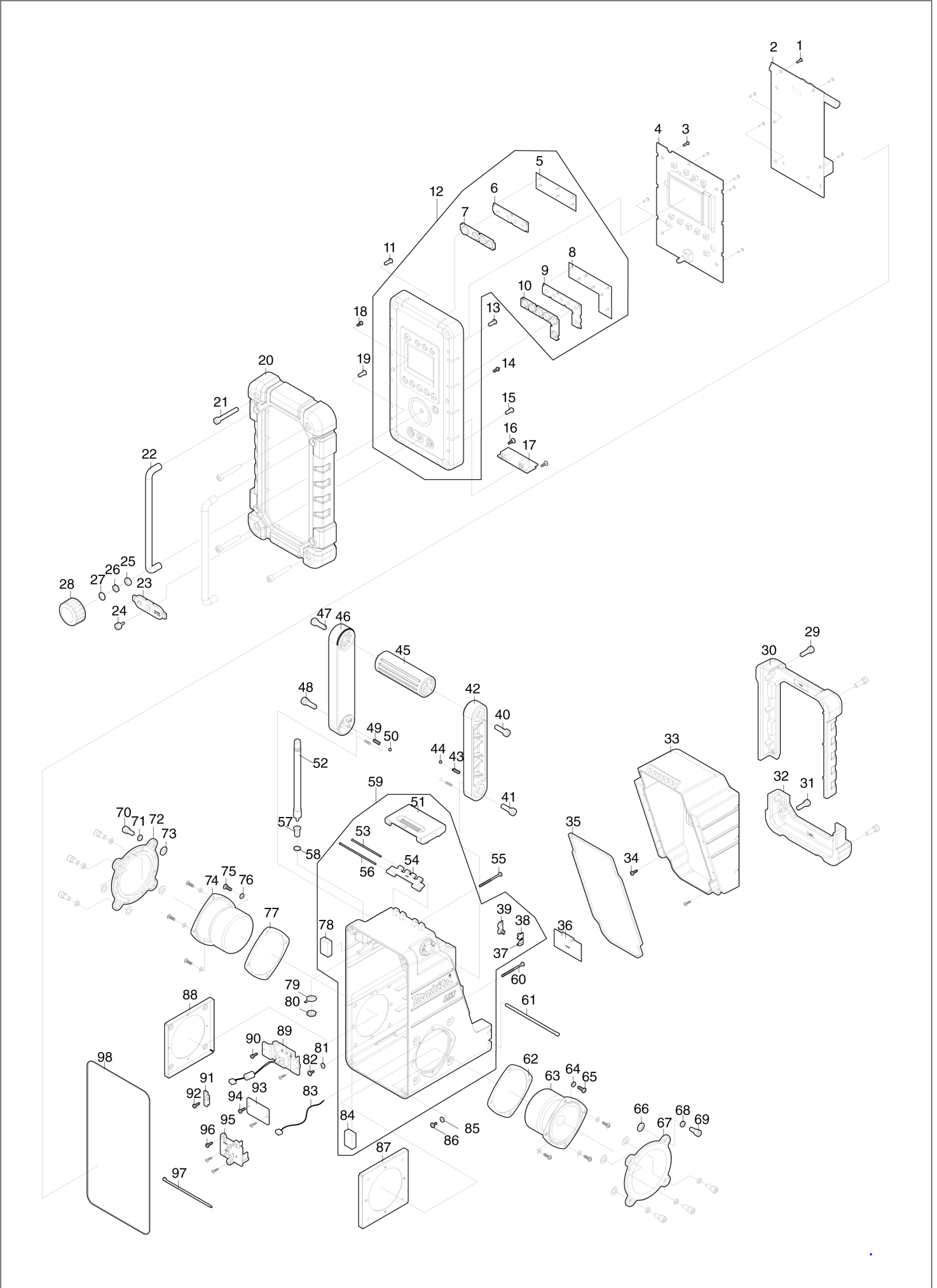
SE	SWEDEN
----	--------

Diagram / Parts List

DMR116

JOB SITE RADIO

(SE) DMR116 / JOB SITE RADIO



DMR116 / JOB SITE RADIO

Item	Sub	Parts No.	Parts Description	Qty	I/C	E/C No.	Close No.	Remark
001		SE00000325	SCREW PTB 3X8(NI)	5				
002		SE00001073	PCB A ASS'Y	1				
003		SE00000325	SCREW PTB 3X8(NI)	6				
004		SE00001075	PCB C ASS'Y	1				
005		SE09090011	SCREW 1.7	6				
006		SE020PC020	POWER BUTTON HOLDER	1				
007		SE00000157	POWER BUTTON (GRY)	1				
008		SE09090011	SCREW 1.7	7				
009		SE020PC030	PRESET BUTTON HOLDER	1				
010		SE00000158	PRESET BUTTON (GRY)	1				
011		SE09064161	SCREW M4X16	1				
012		SE00001077	FRONT CABINET ASS'Y	1				
	D10		INC. 5-10					
013		SE09064161	SCREW M4X16	1				
014		SE09163102	SCREW M3X10	1				
015		SE09064161	SCREW M4X16	1				
016		SE00000193	SCREW 3X10	2				
017		SE00000464	PCB-P DC JACK ASSY 07P WA1	1				
018		SE09163102	SCREW M3X10	1				
019		SE09064161	SCREW M4X16	1				
020		SE00000159	FRONT BUMPER	1				
021		SE00000160	SCREW PTHE6X47(CR)	4				
022		SE0338PC5Z	FRONT BAR	2				
023		SE00000042	JACK COVER	1				
024		SE09173106	HEX SCREW M3X10	1				
025		SE00000754	EN/SW WASHER	1				
026		SE00000755	EN/SW NUT	1				
027		SE21B1110A	ROTARY KNOB RING	1				
028		SE00000465	ROTARY KNOB BLK 3102PC0000040	1				
029		SE09176166	HEX SCREW M6X16	2				
030		SE00000162	BATTERY COVER BUMPER	1				
031		SE09176166	HEX SCREW M6X16	2				
032		SE00000165	REAR BUMPER	1				
033		SE00000166	BATTERY COVER	1				
034		SE00000325	SCREW PTB 3X8(NI)	2				
035		SE00000168	PACKING	1				
036		SE0307PC5Z	BACK UP BATTERY COVER	1				
037		SE00000466	BATTERY CONTACT(+) 2100RA00700	1				
038		SE00000467	BATTERY CONTACT (-)2100PL00200	1				
039		SE021E9030	+/- BATTERY CONTACT ASS'Y	1				
040		SE00000176	SCREW PTHE6X20(CR)	1				
041		SE09176166	HEX SCREW M6X16	1				
042		SE00000177	HANDLE HOLDER(R)	1				
043		SE00000184	SPRING	2				
044		SE09994007	STEEL BALL	2				
045		SE00000179	HANDLE	1				
046		SE00000180	HANDLE HOLDER (L)	1				
047		SE00000176	SCREW PTHE6X20(CR)	1				
048		SE09176166	HEX SCREW M6X16	1				
049		SE00000184	SPRING	2				
050		SE09994007	STEEL BALL	2				
051		SE00000190	BATTERY COVER LOCKER	1				
052		SE00000191	ROD ANT (BLK)	1				
053		SE021PC050	LOCKER FIXER PIN 62.8	1				
054		SE00000067	LOCKER HINGER	1				
055		SE09163452	SCREW M3X45	1				
056		SE021PC040	LOCKER FIXER PIN 79.5	1				
057		SE021J9032	ROD ANT HOLDER	1				
058		SE024J9050	PACKING	1				
059		SE00001078	REAR CABINET ASS'Y	1			Y08696	
	D10		INC.37-39,51,53,54,56,78,84				Y08696	
059-1		SE00001078	REAR CABINET ASS'Y	1	X	Y08696		
	D10		INC.37-39,51,53,54,56,78,83,84			Y08696		
060		SE09163452	SCREW M3X45	1				
061		SE021PC030	BATTERY COVER LOCKER	1				

Interchange
O : Yes
X : No
< : the new part can be substituted for the current.
> : the current part can be substituted for the new.
S : Interchangeable as a set.

