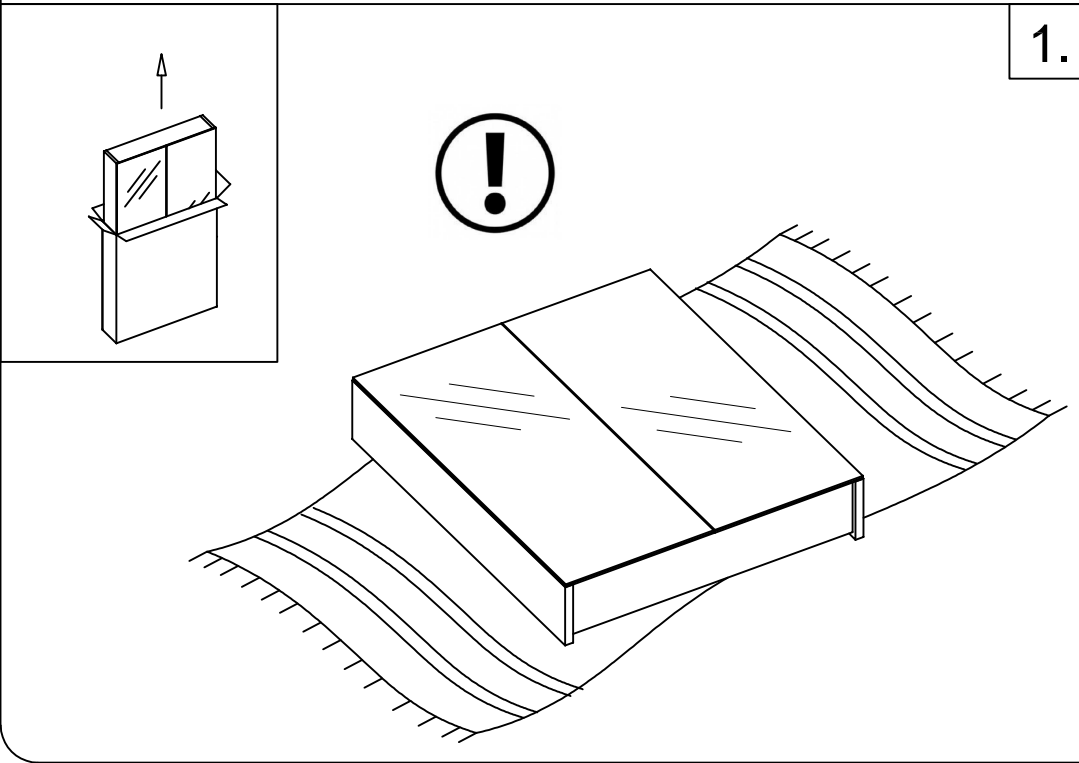
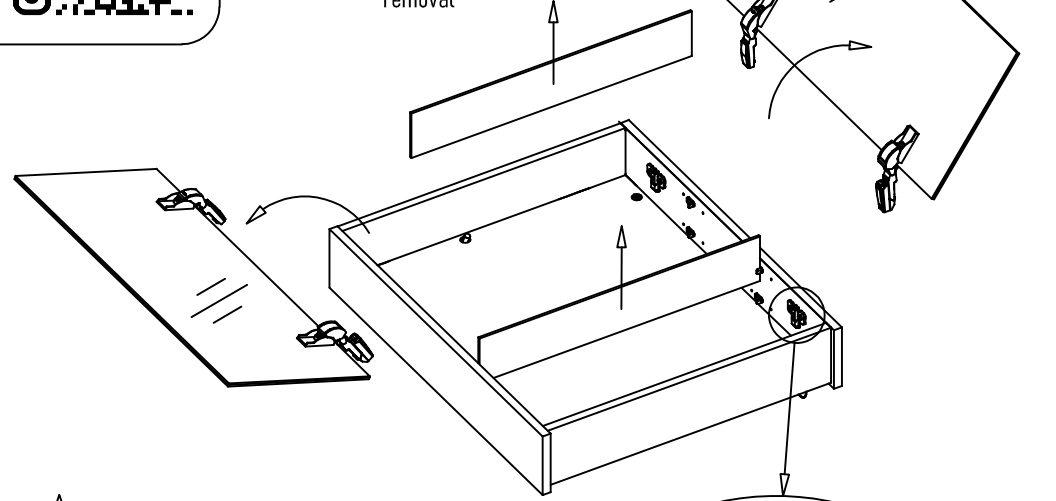
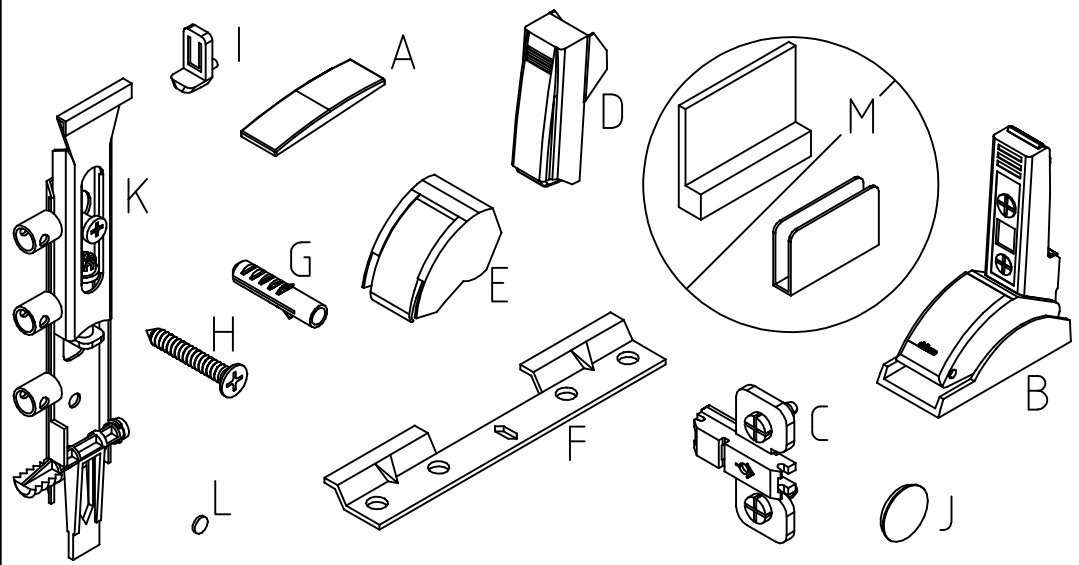
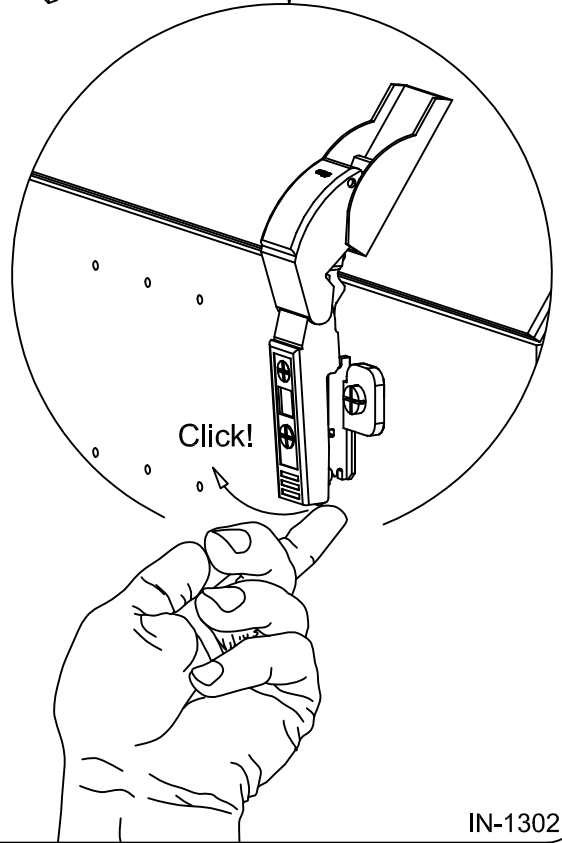
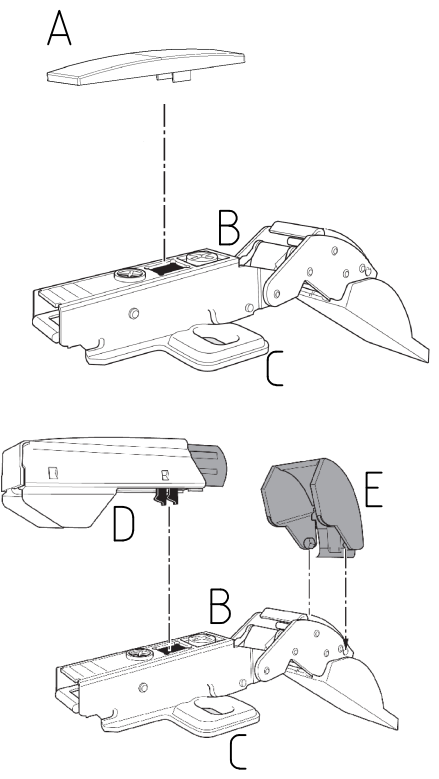
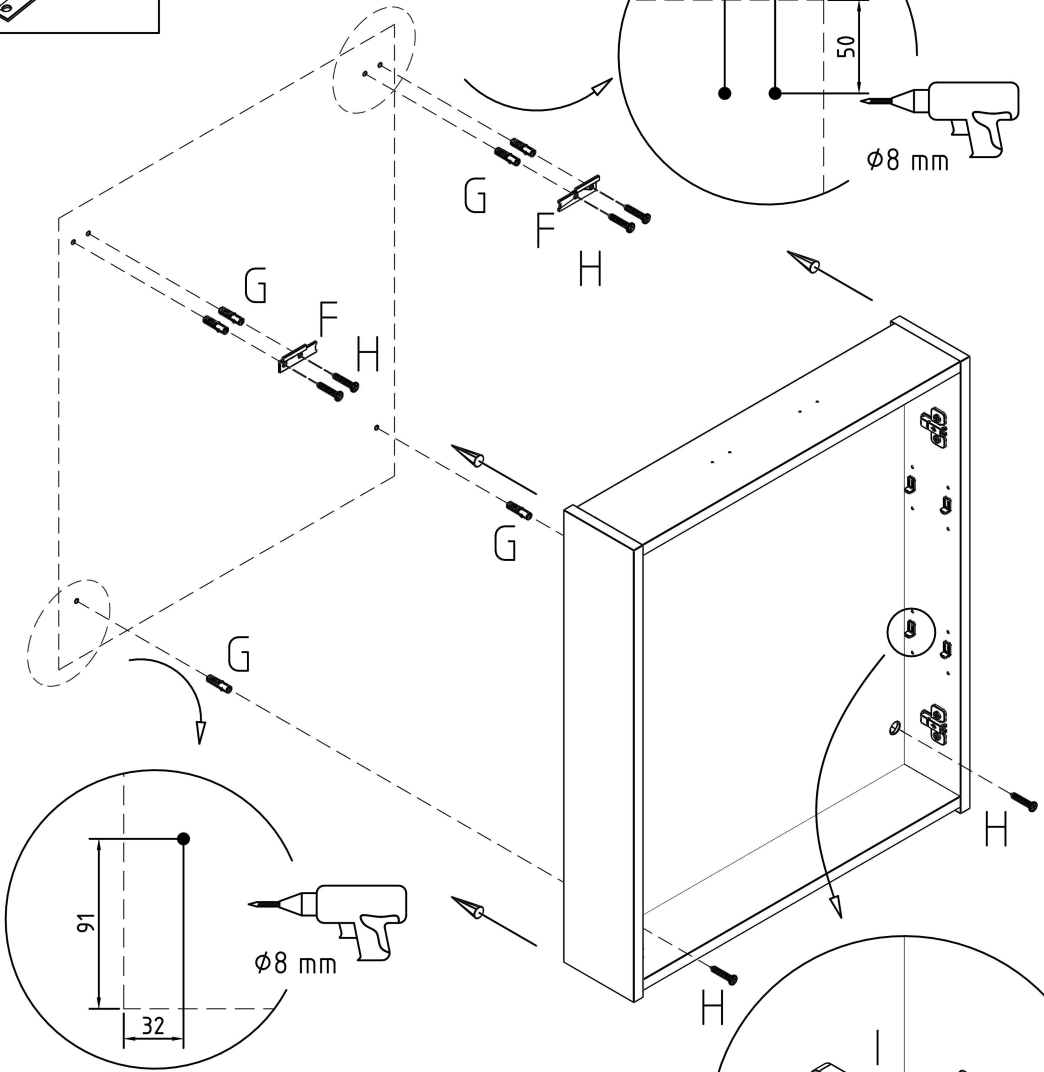
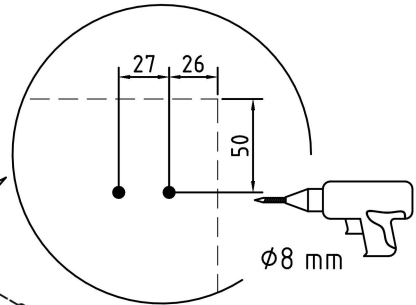
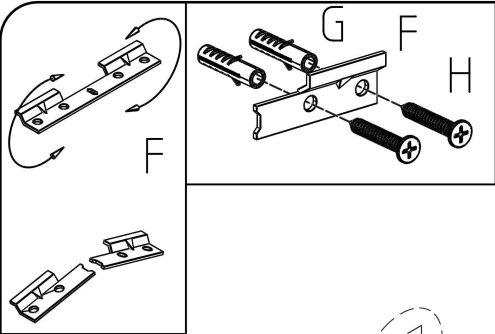


Detailed video instruction on door removal

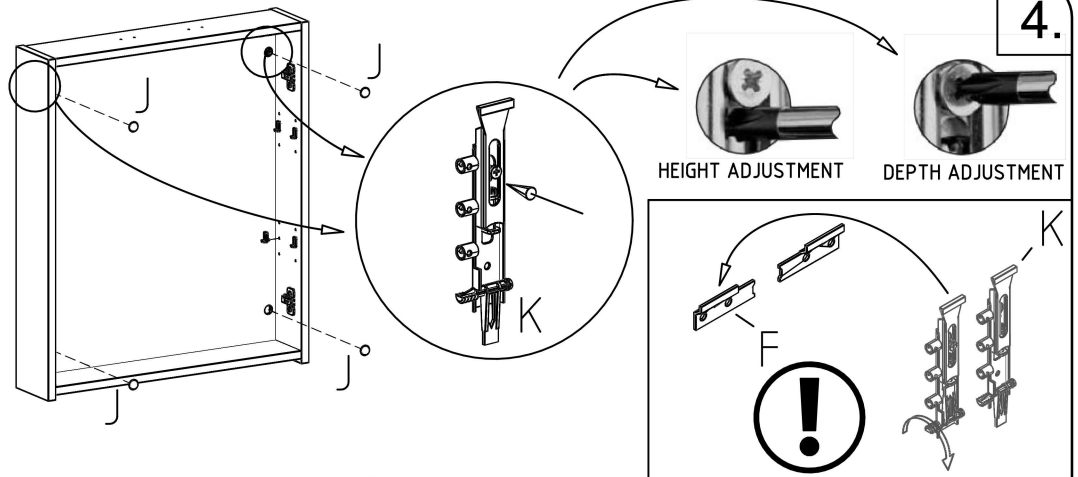


1.

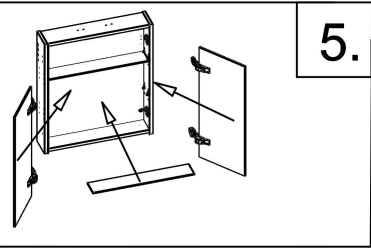




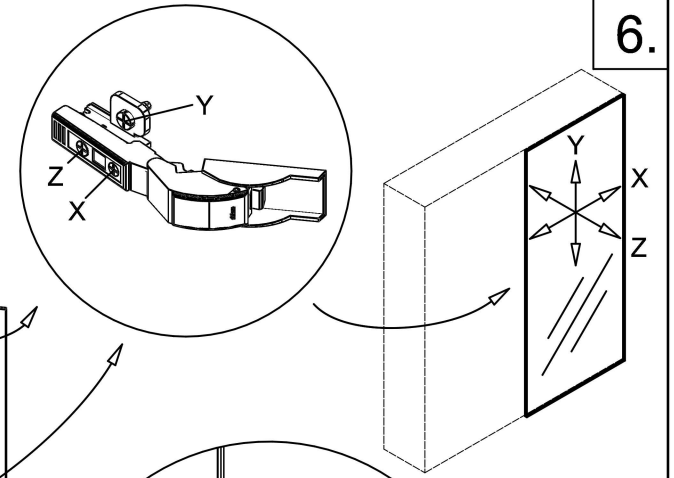
3.



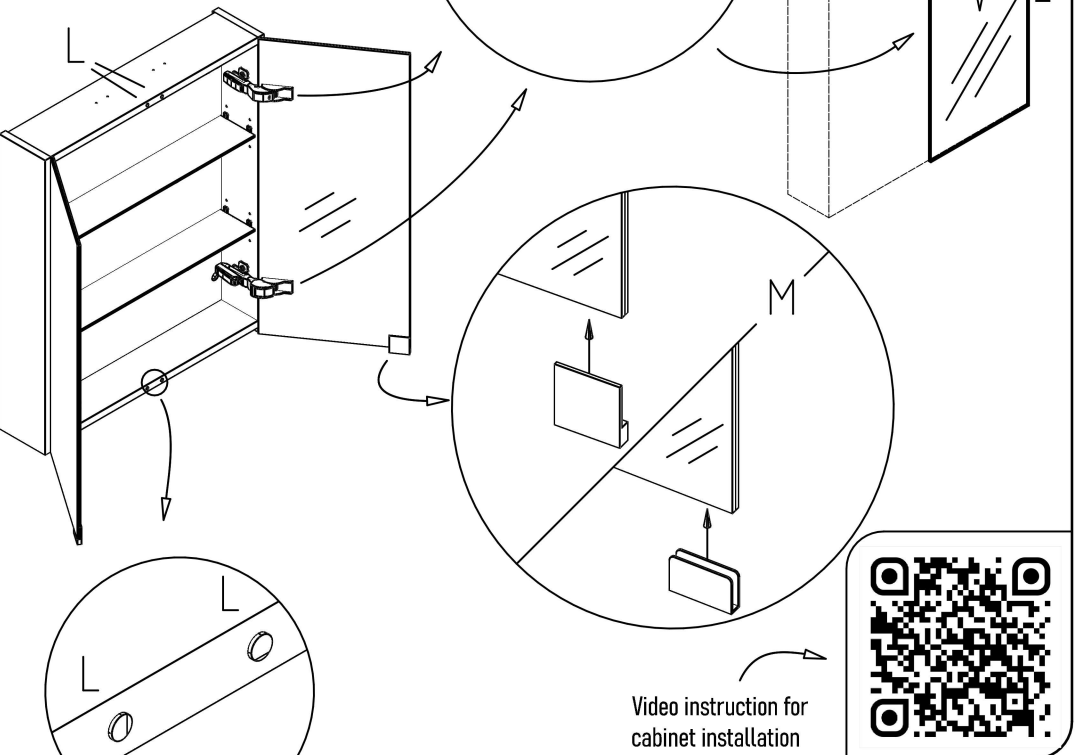
4.



5.



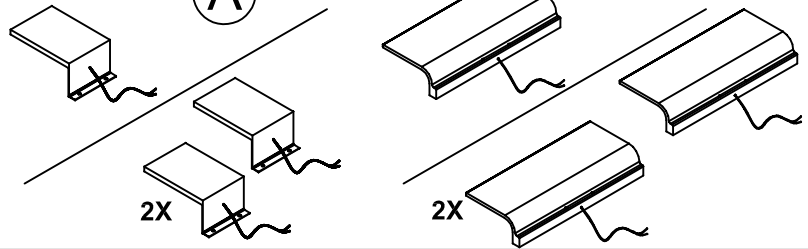
6.



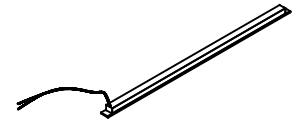
Video instruction for cabinet installation



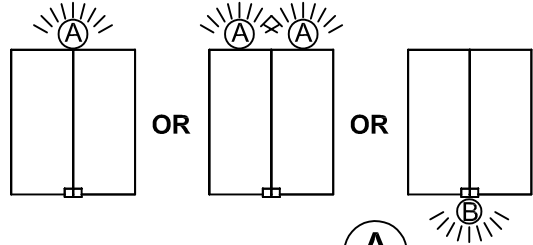
Optional luminaries **(A)**



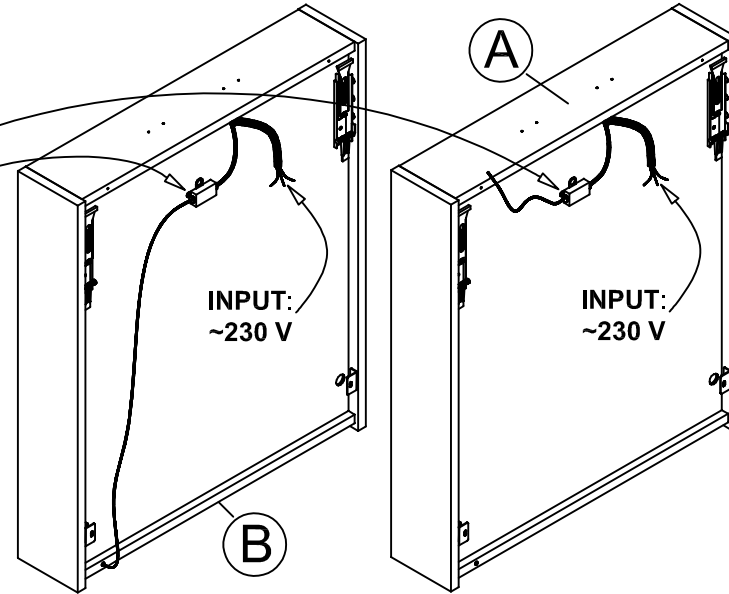
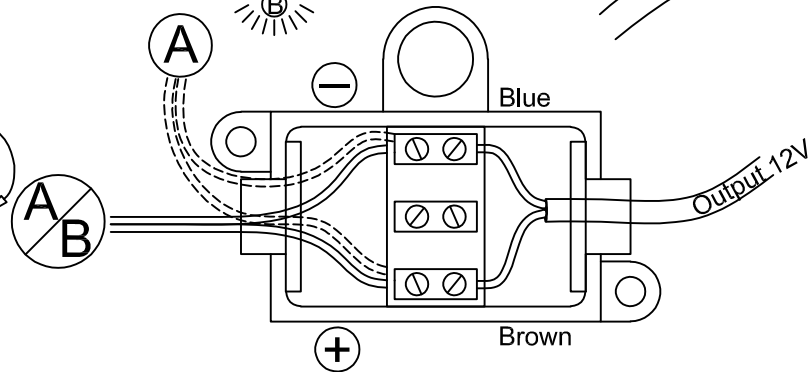
Optional underlight **(B)**



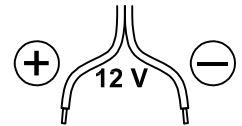
Option 1:



Video instruction for luminaire installation



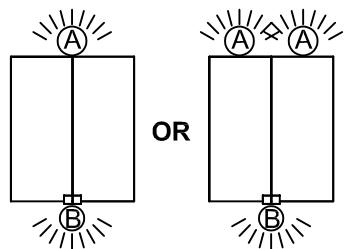
Distinguishing polarity:



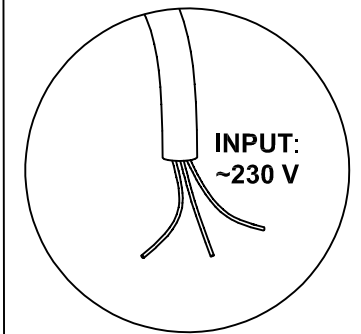
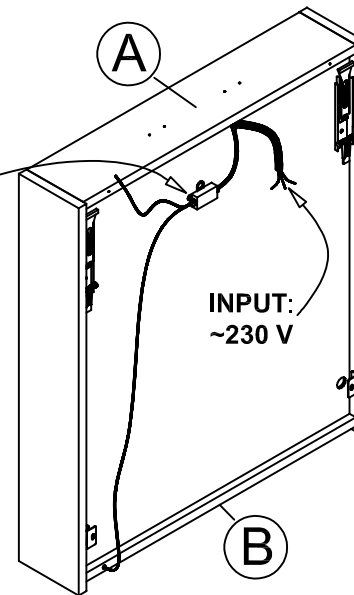
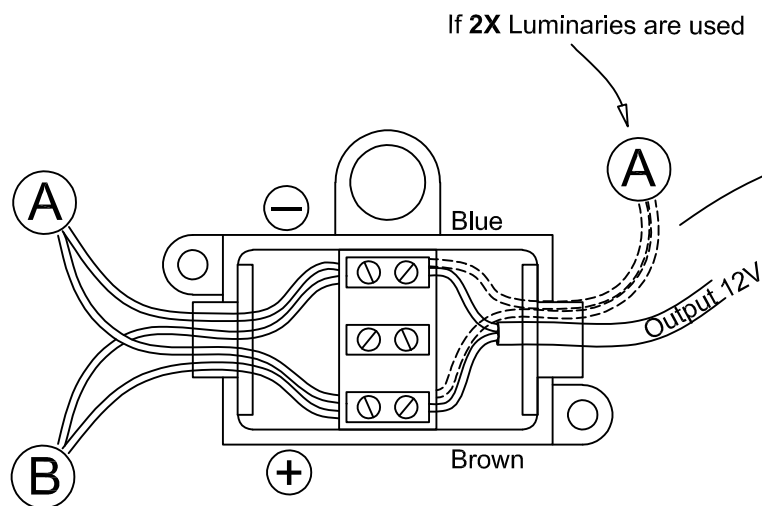
- ~ wire with color strip;
- ~ wire with writings;
- ~ dual color wire.
- ~ monochrome wire without markings.

! All electrical work should be carried out only by a suitably qualified and competent person, in strict accordance with national safety regulations.

Option 2:



Video instruction for luminaire + underlight installation



INPUT wiring:

- Brown - Load
- Blue - Neutral
- Green / yellow - Ground