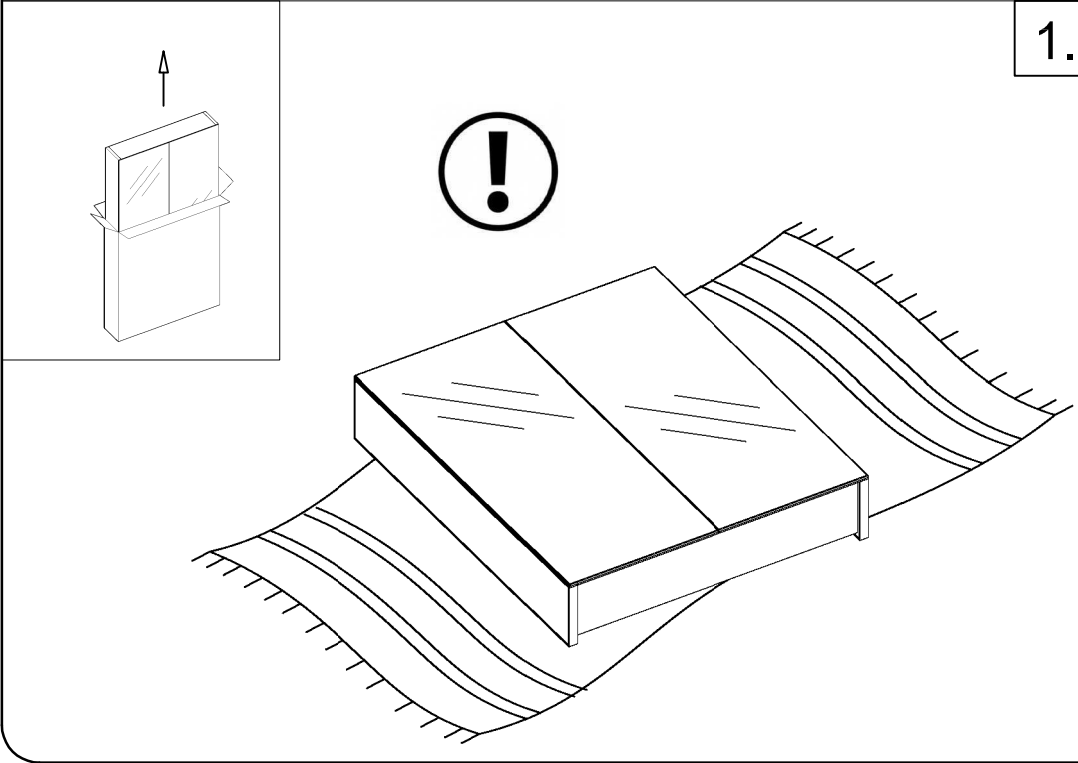
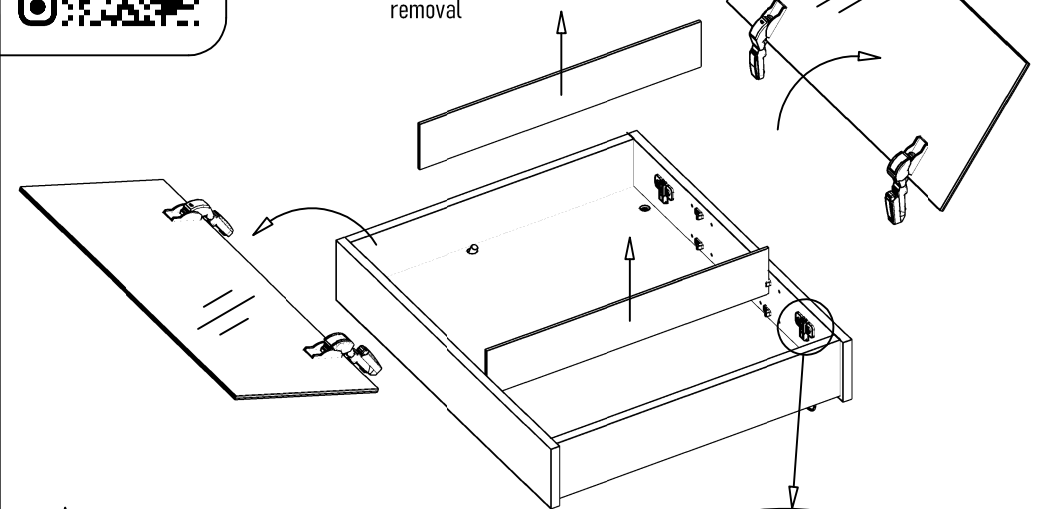
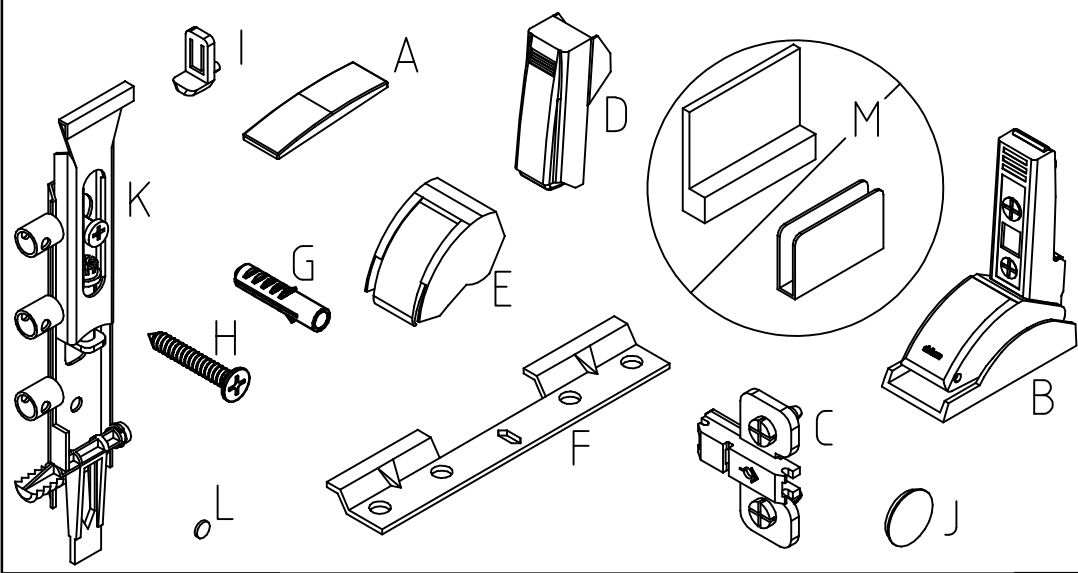
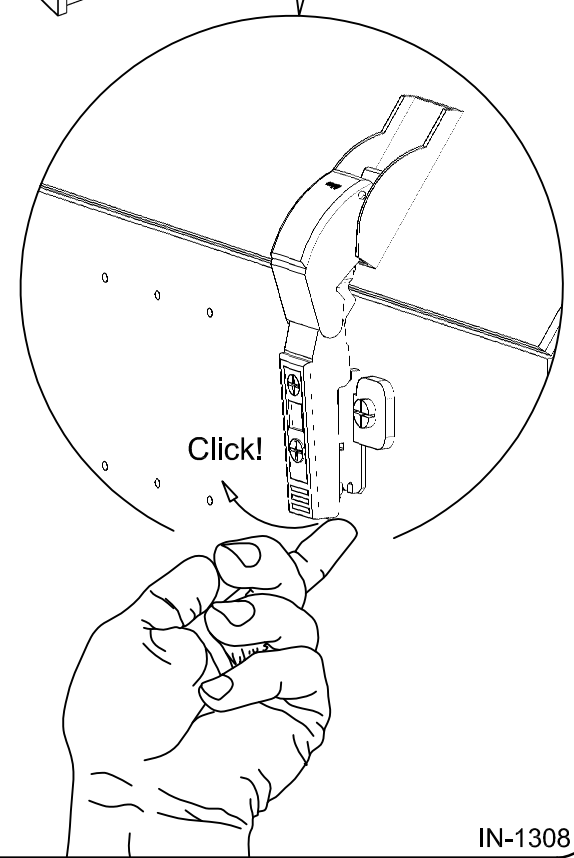
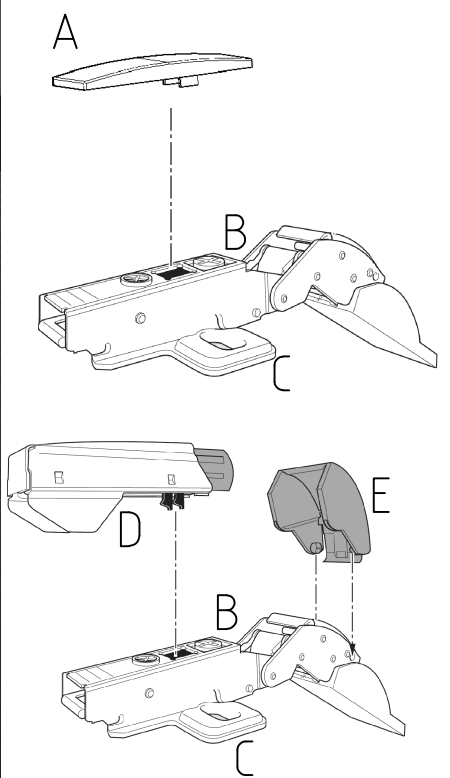


Detailed video instruction on door removal

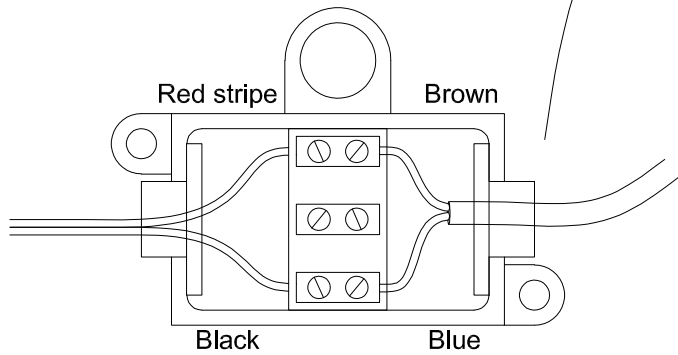
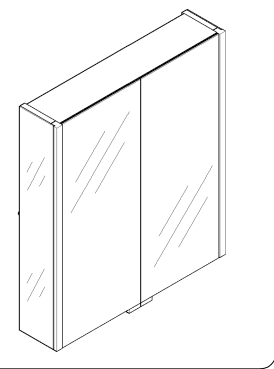


1.





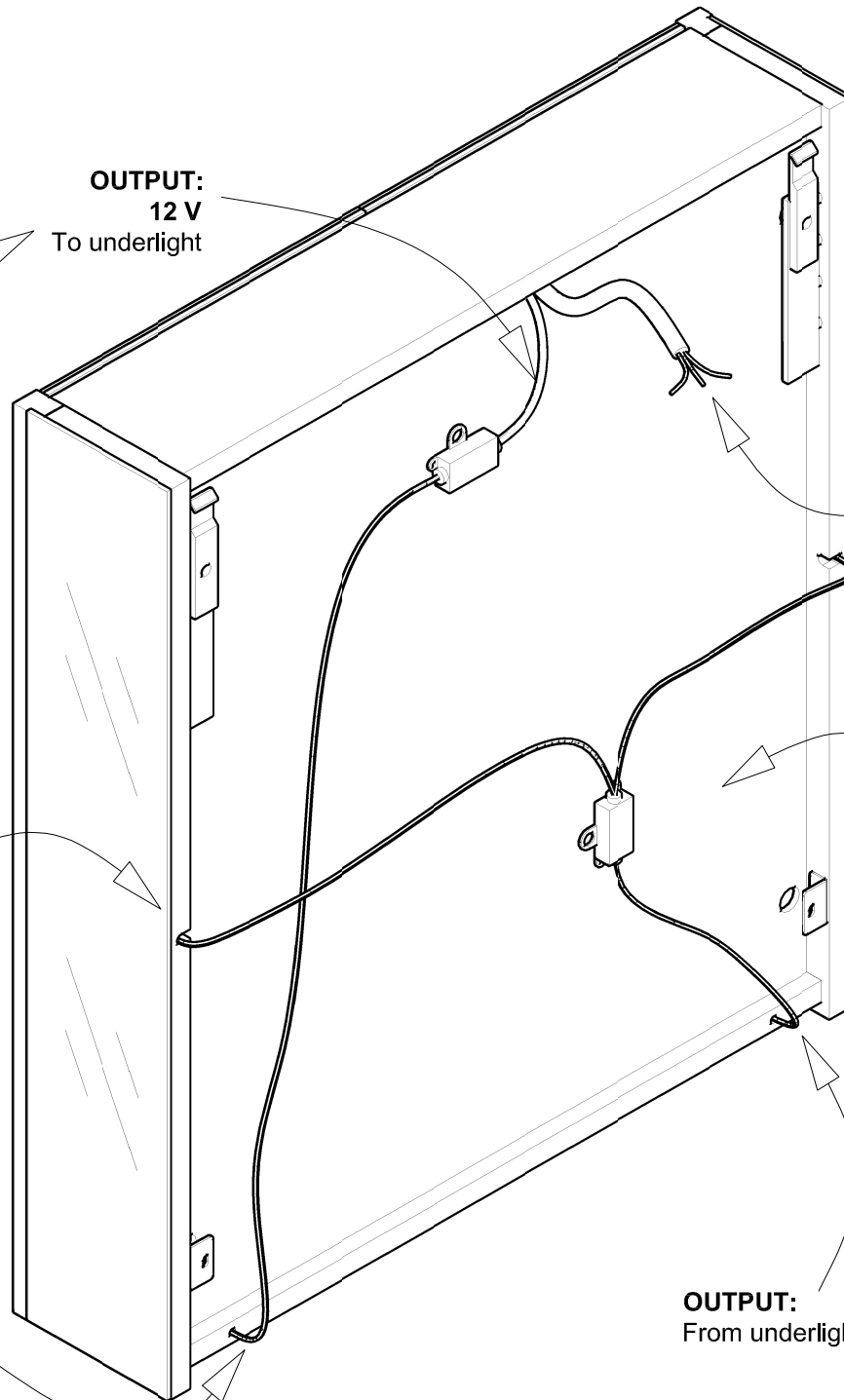
**!** All electrical work should be carried out only by a suitably qualified and competent person, in strict accordance with national safety regulations.



To right side light

**INPUT:**  
To underlight.  
Side with touch button

**OUTPUT:**  
12 V  
To underlight



**INPUT:**  
~230 V

To left side light

**OUTPUT:**  
From underlight

