

EAN: 6414150078620

www.oras.com/en/products/oras/product/1011F



Washbasin faucet XL with fixed spout and aerator. There are also in-built limitation options for water temperature and maximum flow-rate. F = with flexible pipes

- Bathroom
- Single lever
- DeckMounted
- Chrome
- Fixed spout
- Aerator
- limitation option for maximum flow-rate
- flexible inlet pipe(s)

Technical data

Flow properties

Flow-rate at 300 kPa	0.18 l/s
Pressure loss with flow (0.1 l/s)	95 kPa

Technical properties

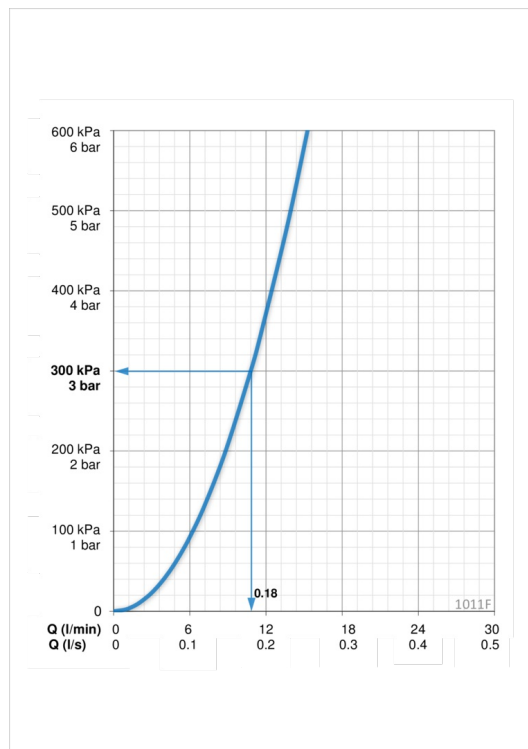
Hot water supply	max. +80°C
Working pressure	50 - 1000 kPa
ItemProjection	115 mm

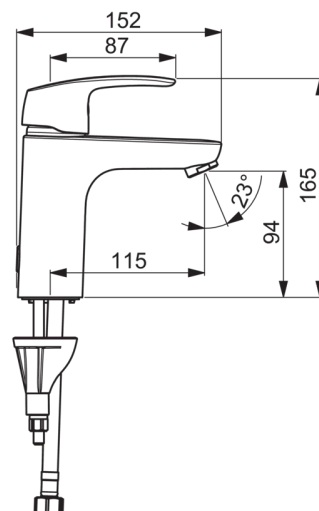
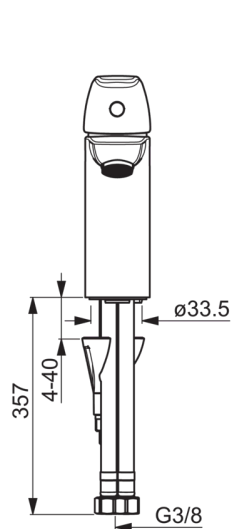
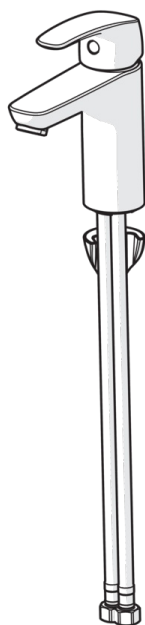
Regulations

Noise class	I (ISO 3822)
-------------	---------------------

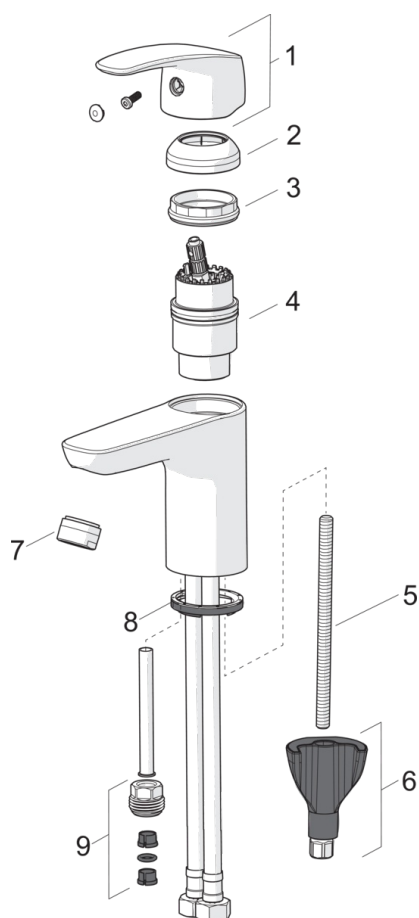
Type approvals

STF certificate	VTT-RTH-00090-17
-----------------	-------------------------





Spare parts



SP1012F

	Code
01	602502V
02	1000664V
03	158726
04	158890
05	1000780V
06	602610V
07	232211
08	601971V
09	159684